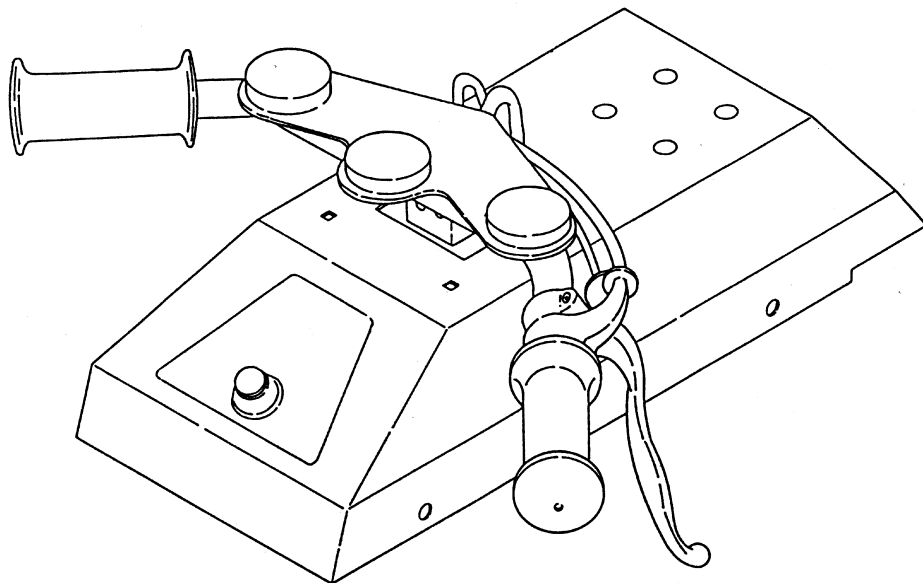


WGP

HANDLE KIT

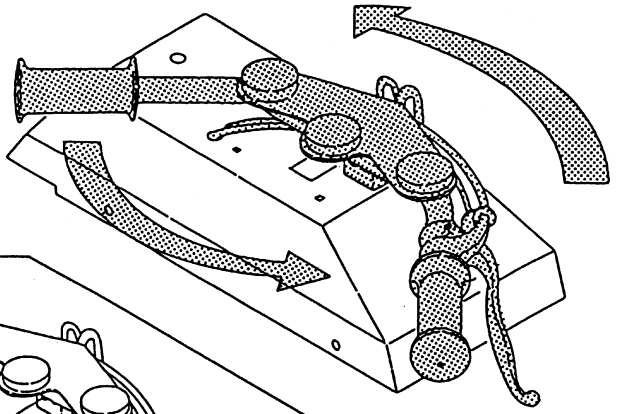


PARTS CATALOGUE

HANDLE

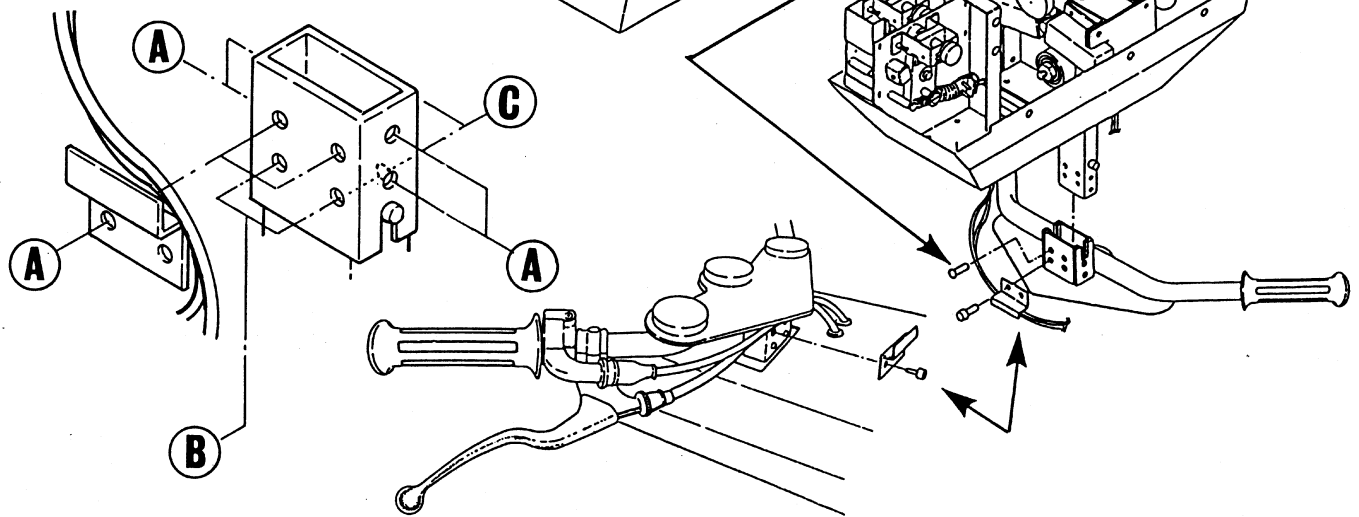
W. G. P.
HANDLE KIT

1

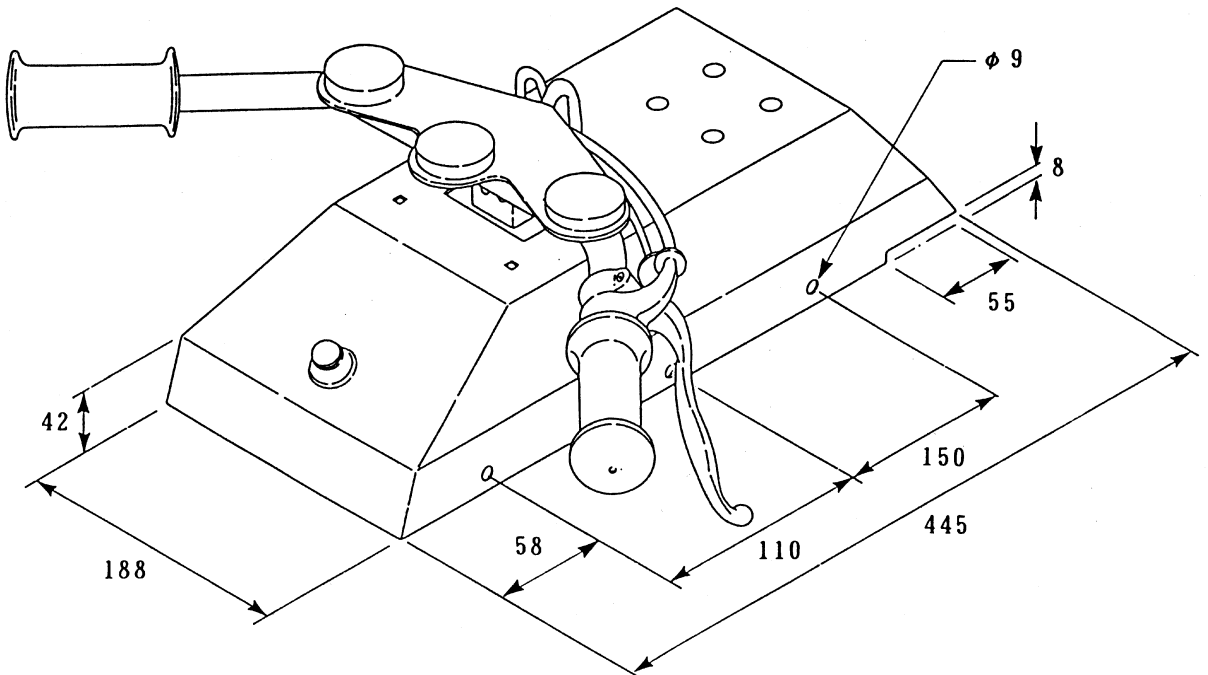


2

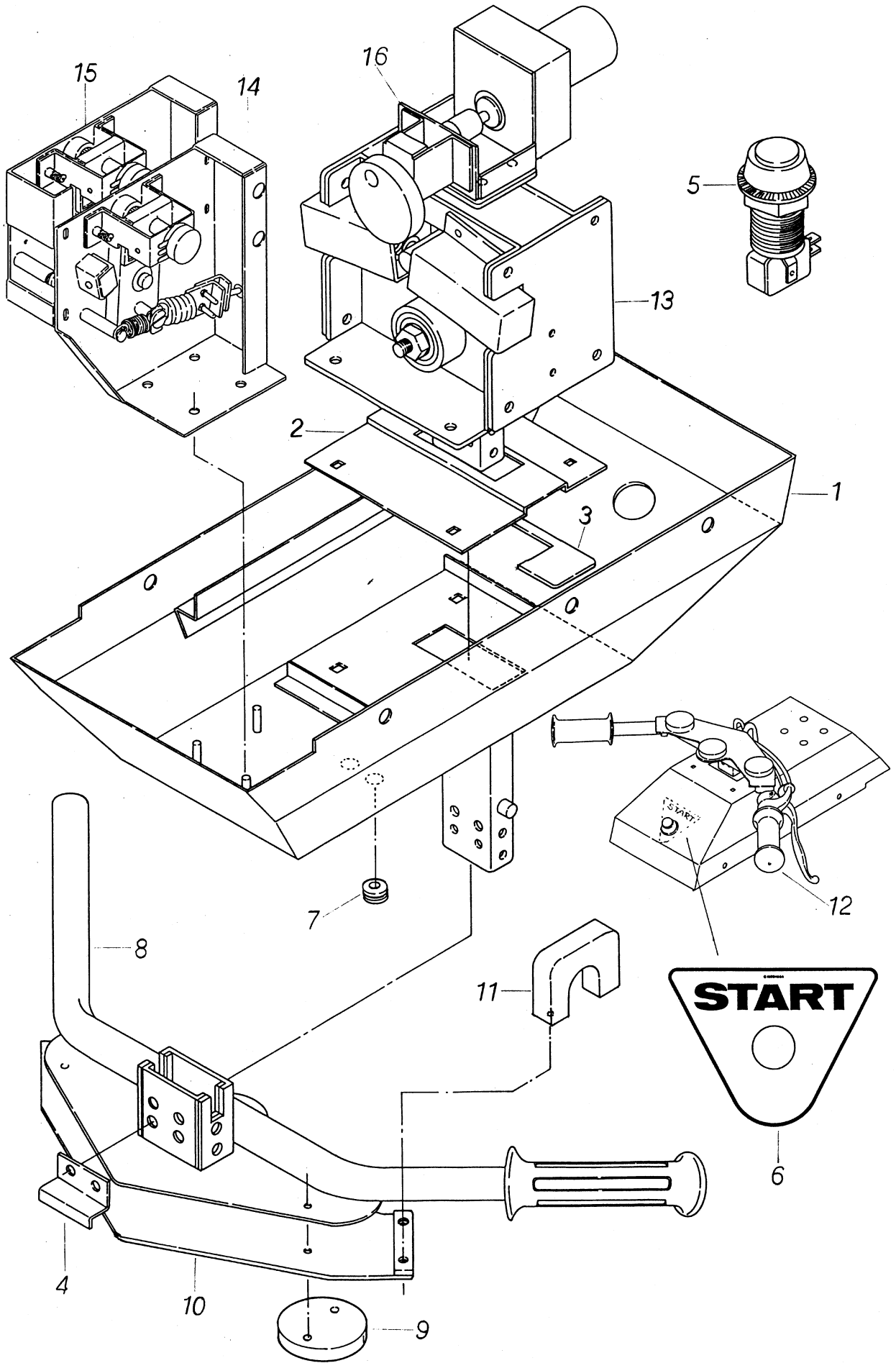
- **A** BUTTON HEAD SCREW
M6 × 10 (CR)
- **B** SOCKET CAP BOLT
M6 × 35
- **C** SELF LOCKING NUT
M6
- SPRING WASHER
6M
- PLAIN WASHER
6M



3

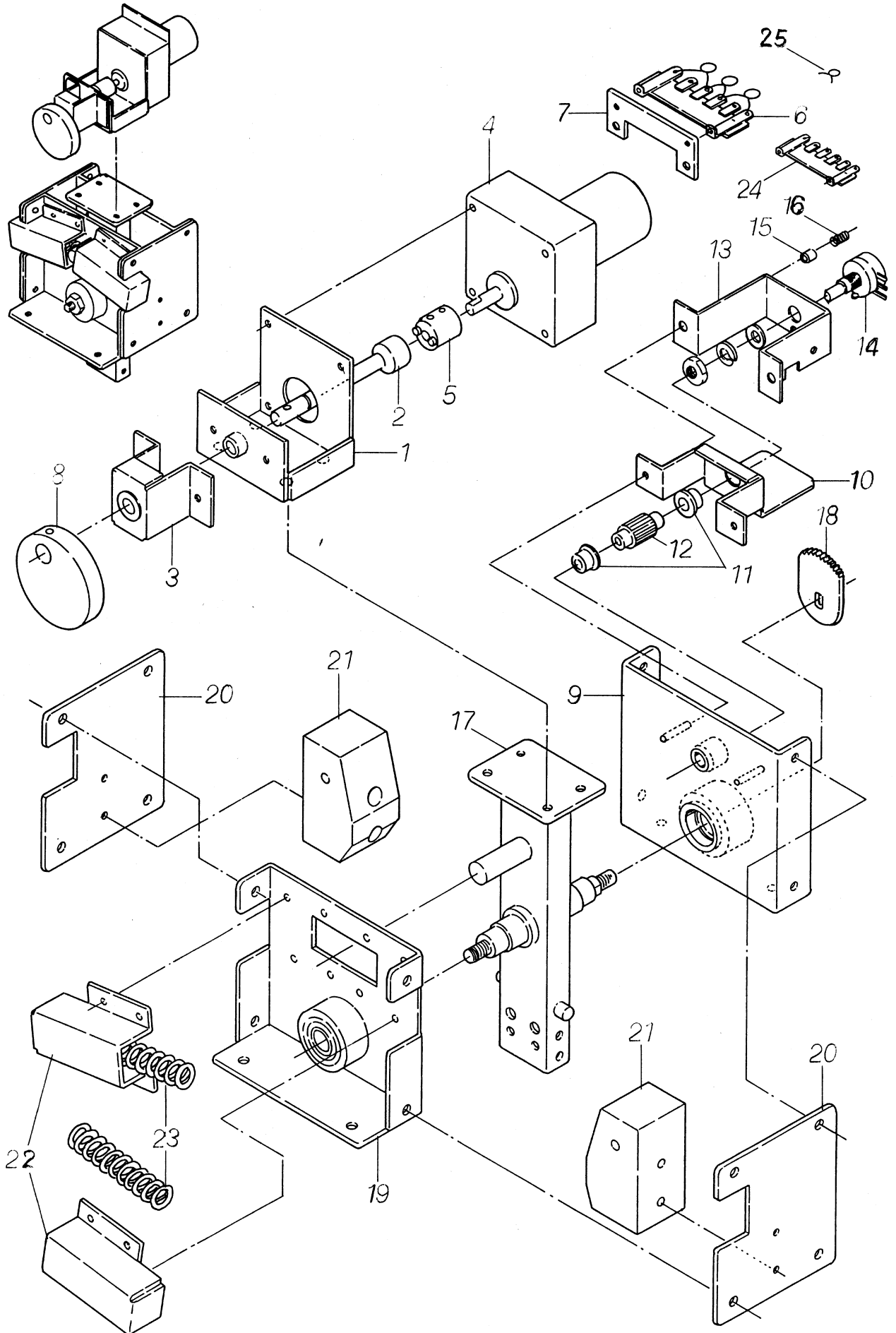


● HANDLE CONTROL ASSY



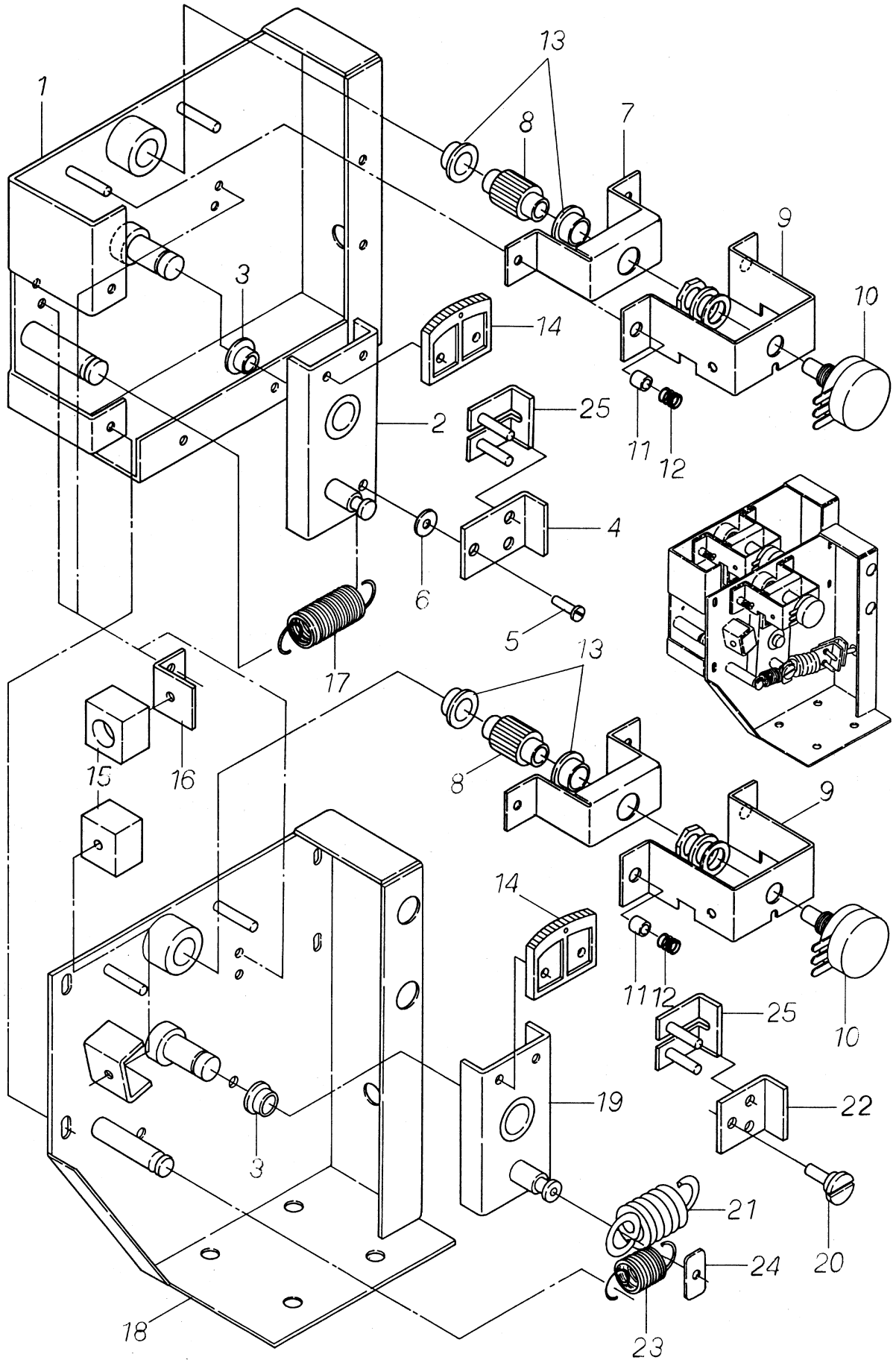
| I T E M | P A R T S No. | D E S C R I P T I O N | |
|---------|---------------|----------------------------------|---------------|
| | | HANDLE CONTROL ASSY (M90 02112A) | |
| 1 | E30 07998A | BASE COVER | |
| 2 | E30 07688A | MASK PLATE | |
| 3 | F90 02272A | HANDLE MASK | |
| 4 | E30 07764A | WIRE BRACKET | |
| 5 | C02 00257A | PUSH SWITCH | BL2 |
| 6 | G15 00455A | START STICKER | NG-79-G |
| 7 | F20 00008A | GROMMET | |
| 8 | E90 00593A | HANDLE BASE | (HANDLE ASSY) |
| 9 | E10 01049A | CENTER SHAFT | (HANDLE ASSY) |
| 10 | E30 08042A | HANDLE PLATE | |
| 11 | E10 01070A | PIPE SUPPORT | |
| 12 | M01 00154A | HANDLE ASSY | |
| 13 | M01 00160A | HANDLE MECHA ASSY | |
| 14 | M01 00159A | BRAKE MECHA ASSY | |
| 15 | M01 00158A | ACCEL MECHA ASSY | |
| 16 | M01 00151A | VIBRATOR ASSY | |
| | L30 00403A | K HARNESS | |

● VIBRATOR ASSY & HANDLE MECHA ASSY



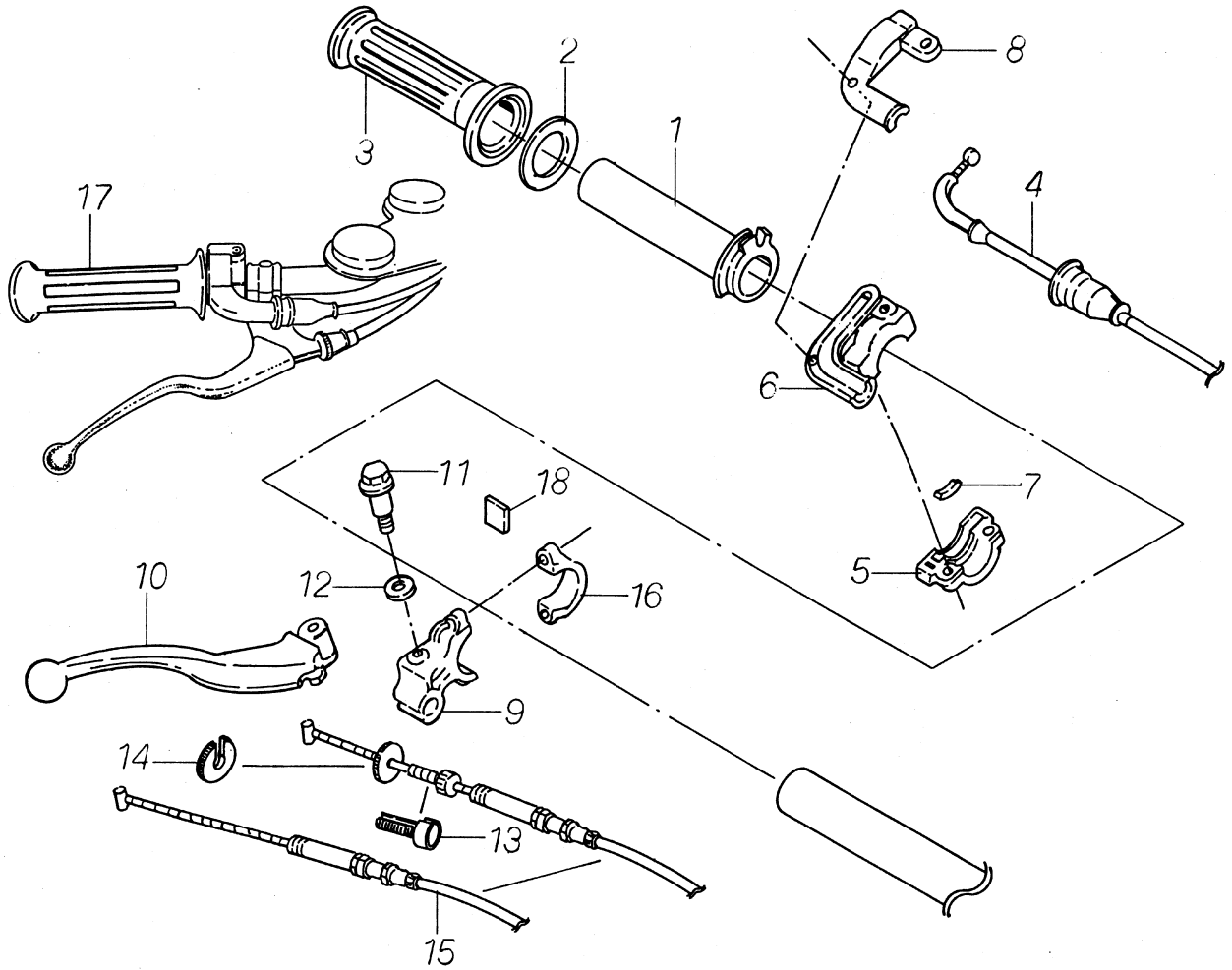
| ITEM | PARTS No. | DESCRIPTION | |
|--------------------------------|------------|-----------------------|---------------------|
| VIBRATOR ASSY (M01 00151A) | | | |
| 1 | E30 07698A | MOTOR BRACEKT A | |
| 2 | E10 01051A | CRANK SHAFT | |
| 3 | E30 07699A | MOTOR BRACKET B | |
| 4 | C12 00281A | DC MOTOR | DME38S6HF PB6HF6 |
| 5 | E10 01052A | CRANK JOINT | |
| 6 | M90 01955A | LAG BOARD ASSY | |
| 7 | E30 07827A | LAG BOARD BRACKET | |
| 8 | E10 01043A | WEIGHT | L=15 |
| HANDLE MECHA ASSY (M01 00160A) | | | |
| 9 | E90 00594A | SIDE BRACKET L | |
| 10 | E30 07684A | GEAR BRACKET B | |
| 11 | F90 01798A | OILES FLANGE BUSH | 80F-0905 |
| 12 | E70 00133A | GEAR B | |
| 13 | E30 07685A | VOLUME BRACKET | |
| 14 | A21 02541A | VARIABLE RESISTOR | EWSW11L F20E53 B-5K |
| 15 | E10 00881B | SPACER - 5L | |
| 16 | E40 00275A | TENSION SPRING | |
| 17 | E90 00596A | MAIN SHAFT | |
| 18 | E70 00132B | GEAR A | |
| 19 | E90 00595A | SIDE BRACKET R | |
| 20 | E30 07687A | SIDE PLATE | |
| 21 | F90 02271A | HANDLE STOPPER RUBBER | |
| 22 | E30 07686A | SPRING COVER | |
| 23 | E40 00339A | HANDLE SPRING B | |
| LAG BOARD ASSY (M90 019550A) | | | |
| 24 | C06 00211A | L-TYPE LAG BOARD | 2L-4P L-590 |
| 25 | A12 00293A | CAP CERAMIC | 5V-1000P |
| | L90 01984A | MB HARNESS | |

● ACCEL MECHA ASSY & BRAKE MECHA ASSY



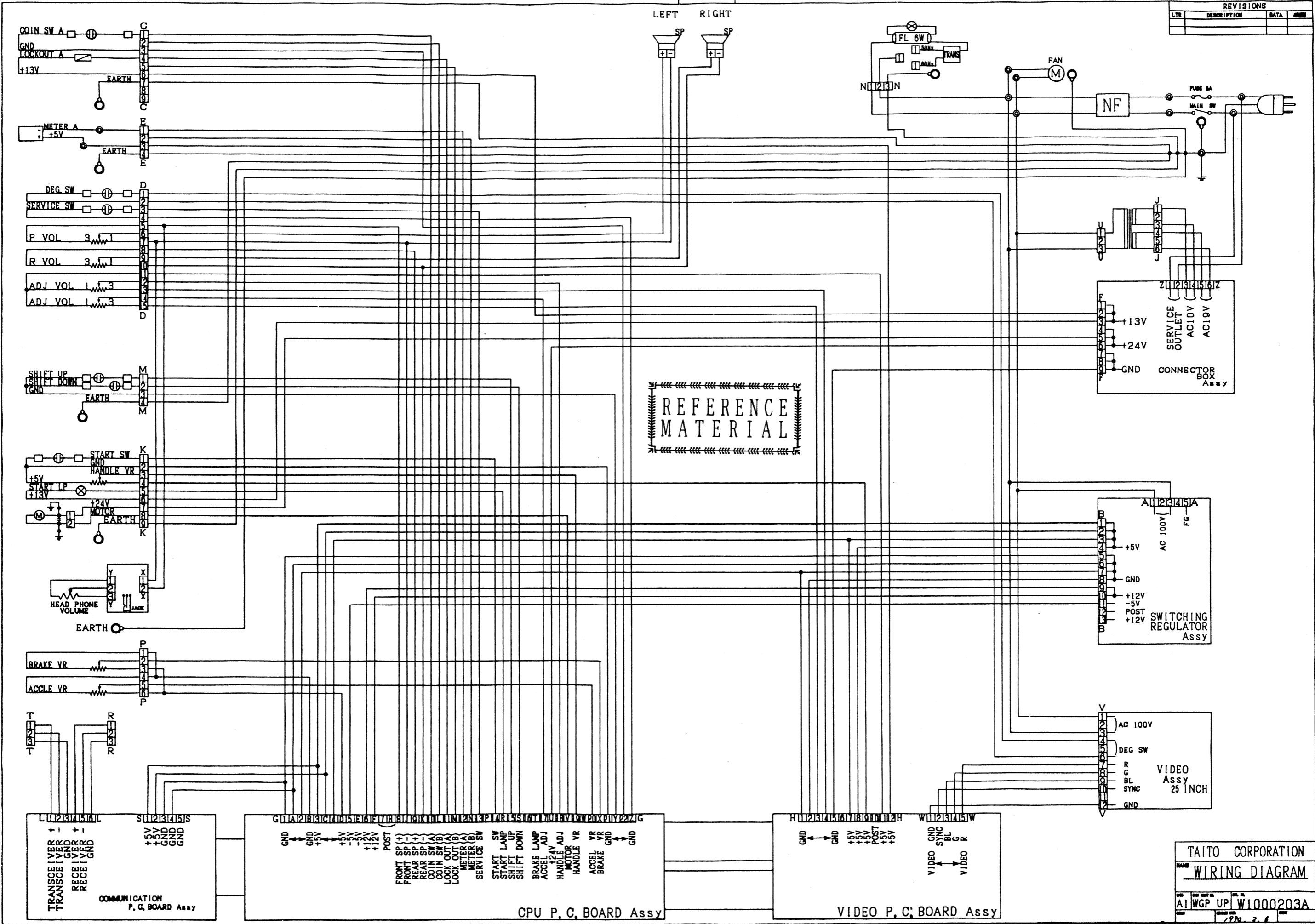
| ITEM | PARTS No. | DESCRIPTION |
|-------------------------------|------------|---------------------------------------|
| ACCEL MECHA ASSY (M01 00158A) | | |
| 1 | E90 00618A | ACCEL BASE |
| 2 | E90 00598A | ACCEL BRACKET |
| 3 | F90 00934A | OILES FLANGE BUSH 80F-1012 |
| 4 | E30 07694A | ACCEL WIRE STOPPER |
| 5 | E10 00822A | SHOULDER SCREW |
| 6 | E30 05515A | STAINLESS WASHER |
| 7 | E30 07691A | GEAR BRACKET A |
| 8 | E70 00133A | GEAR B |
| 9 | E30 07685A | VOLUME BRACKET |
| 10 | A21 02541A | VARIABLE RESISTOR EWSWI1L F20E53 B-5K |
| 11 | E10 00881B | SPACER - 5L |
| 12 | E40 00275A | TENSION SPRING |
| 13 | F90 01787A | OILES FLANGE BUSH 80F-0905 |
| 14 | E70 00152A | GEAR C |
| 15 | F90 02276A | STOPPER BLOCK |
| 16 | E30 07692A | STOPPER BRACKET |
| 17 | E40 00328A | ACCEL SPRING |
| 25 | E30 07695A | WIRE STOPPER (HANDLE COTNROL ASSY) |
| BRAKE MECHA ASSY (M01 00159A) | | |
| 18 | E90 00617A | BRAKE BASE |
| 19 | E90 00600A | BRAKE BRACKET |
| 20 | E10 01050A | SHOULDER SCREW |
| 21 | E40 00330A | WIRE SPRING |
| 22 | E30 07696A | BRAKE WIRE STOPPER |
| 23 | E40 00329A | BRAKE SPRING |
| 24 | E30 07697A | SPRING SUPPORT |
| 25 | E30 07695A | WIRE STOPPER (HANDLE CONTROL ASSY) |
| 3 | F90 00934A | OILES FLANGE BUSH 80F-1012 |
| 7 | E30 07691A | GEAR BRACKET A |
| 8 | E70 00133A | GEAR B |
| 9 | E30 07685A | VOLUME BRACKET |
| 10 | A21 02541A | VARIABLE RESISTOR EWSWI1L F20E53 B-5K |
| 11 | E10 00881B | SPACER - 5L |
| 12 | E40 00275A | TENSION SPRING |
| 13 | F90 01787A | OILES FLANGE BUSH 80F-0905 |
| 14 | E70 00152A | GEAR C |
| 15 | F90 02276A | STOPPER BLOCK |
| 16 | E30 07692A | STOPPER BRACKET |

● HANDLE ASSY



| ITEM | PARTS No. | DESCRIPTION | |
|--------------------------|------------|-----------------------|-----------------|
| HANDLE ASSY (M01 00154A) | | | |
| 1 | F90 02300A | TUBE THROTTLE GUIDE | 434-26243-12 |
| 2 | F90 02301A | RINK LEAF | 47X-26249-00 |
| 3 | F90 02302A | GRIP RUBBER R | 2N3-26242-00 |
| 4 | H90 00286A | THROTTLE WIRE UNIT | |
| 5 | E50 60373A | CAP GRIP LOW | 493-26282-00-98 |
| 6 | E50 60372A | CAP GRIP HI | 38V-26281-00-98 |
| 7 | F90 02298A | ACCEL STOPPER | |
| 8 | F90 02299A | CAP WIRE | 38V-2628H-00 |
| 9 | E50 60375A | HOLDER LEVER 2 | 38V-82912-00 |
| 10 | E50 60376A | LEVER 2 | 23X-83922-00 |
| 11 | E50 60377A | BOLT | 90109-06797 |
| 12 | E50 60380A | WASHER PLATE | 90201-08083 |
| 13 | E50 60378A | ADJUST BOLT | 90123-08083 |
| 14 | E50 60379A | ADJUST NUT | 90179-08316 |
| 15 | H90 00287A | FRONT BRAKE WIRE UNIT | 38V-82913-00 |
| 16 | E50 60374A | HOLDER LEVER 1 | 38B-83921-00 |
| 17 | F90 02303A | GRIP RUBBER L | 2N3-26241-00 |
| 18 | F90 02351A | LEVER STOPPER | |

| REVISIONS | | | |
|-----------|-------------|------|----|
| LT# | DESCRIPTION | DATE | BY |
| | | | |
| | | | |



REFERENCE MATERIAL

TAITO CORPORATION
 NAME: WIRING DIAGRAM
 A1 WGP UP W1000203A
 2/20 2.6

W. G. P.

TEST MODE

1. Power Off - Change DIP SW A position 3 to ON (located on main PCB).
2. Power On - The screen changes to the Test Mode.
3. Select the test items by moving the arrow (<---) with the Steering Mechanism and then pressing the Start Button.

TEST MODE SCREEN AND TEST ITEMS

| <u>I/O TEST SCREEN</u> | <u>I/O TEST</u> |
|--|--|
| TO CHANGE THE SCREEN, TURN THE STEERING MECH AND PRESS THE START BUTTON. | COIN A: OFF COIN B: OFF SERVICE: OFF TILT : OFF START: OFF BRAKE: OFF SHIFT UP: OFF SHIFT DOWN: OFF -N/A HANDLE: +1 ACCEL: +1 START LAMP: OFF BRAKE LAMP: OFF VENTILATION: OFF N/A |
| 8 7 6 5 4 3 2 1 DIP SW A H H H H H L H H B H H H L H H H H | |
| SOUND 0 0 RAM OK! ROM OK! | |

CONTENTS OF TEST

1. When the screen is changed to the I/O test mode the cross hatch is displayed.
2. Adjust the screen colours, and position of picture on screen
3. Press Start button to continue test.
4. The function of each switch can be checked.
If any defective switch is found, replace it with a new one.

NOTE: If the values of the Steering Mech and accelerator are more than +1 ~-1 at the zero position, adjustment can be made using the central control potentiometers (5kohm) located inside the right hand side of the coin door.

The Steering should move from 0 to 64.
The Accelerator should move from 0 to 180 approx.
The Brake should move from 0 to 48.

Service switch tests vibration motor.

| LAN TEST SCREEN | LAN TEST MODE |
|--|---|
| TO CHANGE THE SCREEN, PRESS THE START BUTTON | ID1 ID2 ID3 ID4 - OK OK OK ID5 ID6 ID7 ID8 NG NG NG NG H9 ID NUMBER 1 <u>TOTAL LINKED MACHINES 5</u> |

CONTENTS OF TEST

1. This LAN test is to test whether the communications function between the cabinets work normally. (When cabinets are joined by communication cables).
NOTE:- This check should be done in the ID1 cabinet.
2. 'O.K.' The communication function works normally.
3. 'N.G.' Check for bad connection between the communication cable and the Lan PCB. N.G. is also displayed on the ID number of unused cabinet(s).
4. TOTAL LINKED MACHINES 5 means that 5 machines are presently connected to the communication game.

| Motor Test (only for Dx model) | MOTOR TEST |
|---|--|
| TO CHANGE THE SCREEN PRESS START BUTTON | Left Limit = Off Right Limit = Off Center: ON Moving data: 1000 |

CONTENTS OF TEST

1. This 'Motor Test' is for the movable 'Dx' model only, therefore this test is not used for the upright model.
2. After checking the Test Mode, switch of the power adjust DIP SW A position 3 to OFF and switch back ON. The screen should now be in game mode.

SETTINGS OF DIP SWITCH - A

| SETTINGS | POSITIONS | 1 | 2 | 3 | 4 | 5 | 6 | 7 | 8 |
|------------------------|--|-----------|-----------|-----------|-----------|------------------------|-----------------|------------------------|-----------------|
| CABINET TYPE | C/P + U/R DX | OFF ON | | | | | | | |
| WIND | NO YES N/A ON UPRIGHT | | OFF ON | | | | | | |
| TEST MODE | NORMAL GAME TEST MODE | | | OFF ON | | | | | |
| ATTRACT SOUND | WITH WITHOUT | | | | OFF ON | | | | |
| PLAY PRICING COIN A | 1 COIN - 1 PLAY 2 COINS - 1 PLAY 3 COINS - 1 PLAY 4 COINS - 1 PLAY | | | | | OFF ON OFF ON | OFF ON ON | | |
| PLAY PRICING COIN B | 1 COIN - 2 PLAYS 1 COIN - 3 PLAYS 1 COIN - 4 PLAYS 1 COIN - 6 PLAYS | | | | | | | OFF ON OFF ON | OFF ON ON |

SETTINGS OF DIP SWITCH - B

| SETTINGS | POSITIONS | 1 | 2 | 3 | 4 | 5 | 6 | 7 | 8 |
|-----------------|---|------------------------|-----------------|-----|-----|-----------|--|--|---|
| GAME DIFFICULTY | RANK - B(NORMAL) RANK - A(EASY) RANK - C(HARD) RANK - D(VERY HARD) | OFF ON OFF ON | OFF ON ON | | | | | | |
| FACTORY SET | NOT IN USE | | | OFF | OFF | | | | |
| LINK PLAY | SINGLE PLAY LINK | | | | | OFF ON | | | |
| YOUR ID NUMBER | # 1 # 2 # 3 # 4 # 5 # 6 # 7 # 8 | | | | | | OFF ON OFF ON OFF ON OFF ON | OFF OFF ON ON OFF OFF ON ON | OFF OFF OFF ON ON ON ON ON |

DIP SWITCH SETTINGS V-2

| <u>FUNCTION</u> | <u>1</u> | <u>2</u> | <u>3</u> | <u>4</u> | <u>5</u> | <u>6</u> | <u>7</u> | <u>8</u> |
|---------------------------|-----------------|----------|----------|----------|----------|----------|----------|----------|
| <u>Bonus Games</u> | <u>Not used</u> | | | | | | | |
| None | on | on | | | | | | |
| For every 50p | off | on | | | | | | |
| For every £1 | on | off | | | | | | |
| For every £2 | off | off | | | | | | |
| 1 Pulse per credit | | | | | on | | | |
| 2 Pulses per credit | | | | | off | | | |
| <u>Price per play</u> | | | | | | | | |
| 10p | | | | | on | on | on | |
| 20p | | | | | off | on | on | |
| 30p | | | | | on | off | on | |
| 40p | | | | | off | off | on | |
| 50p | | | | | on | on | off | |
| 60p | | | | | off | on | off | |
| £1 | | | | | on | off | off | |
| £2 | | | | | off | off | off | |

Please Note:- A bonus game will only be awarded if the game price of play is less than the bonus value set. Also if a mixture of coins are inserted, the time interval between coins inserted must be of less than 5 seconds for the bonus to be awarded.

EXAMPLES OF SETTINGS (FOR £1 INSERTED).

| Price of Play | Bonus Games | Credits | Bonus | Total |
|---------------|---------------|---------|-------|-------|
| 10p | off | 10 | None | 10 |
| 10p | For every 50p | 10 | 2 | 12 |
| 10p | For every £1 | 10 | 1 | 11 |
| 20p | off | 5 | None | 5 |
| 20p | For every 50p | 5 | 2 | 7 |
| 20p | For every £1 | 5 | 1 | 6 |
| 30p | off | 3 | None | 3 |
| 30p | For every 50p | 3 | 2 | 5 |
| 30p | For every £1 | 3 | 1 | 4 |
| 40p | off | 2 | None | 3 |
| 40p | For every 50p | 2 | 2 | 4 |
| 40p | For every £1 | 2 | 1 | 3 |
| 50p | off | 2 | None | 2 |
| 50p | For every £1 | 2 | 1 | 3 |