

TomCat

(1A)

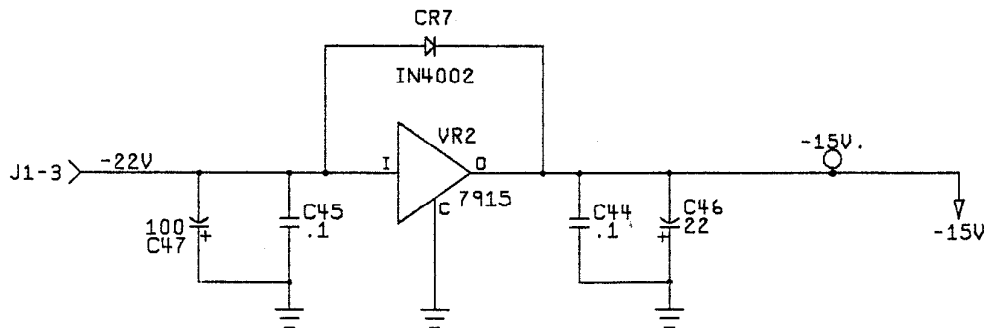
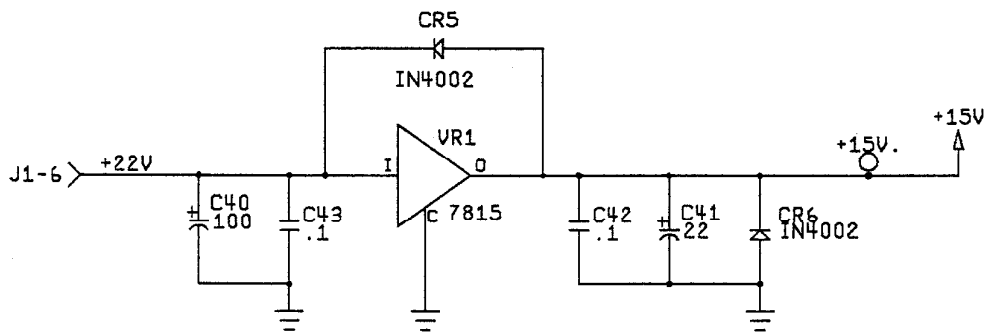
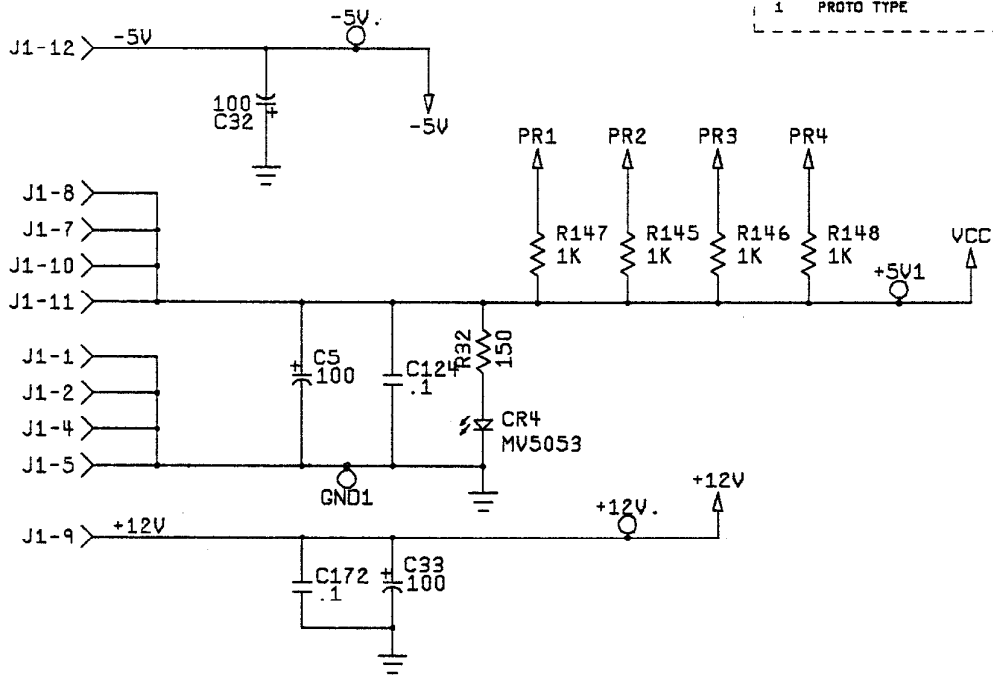
8

7

6

5

1 PROTO TYPE X-XX 1985 GRP



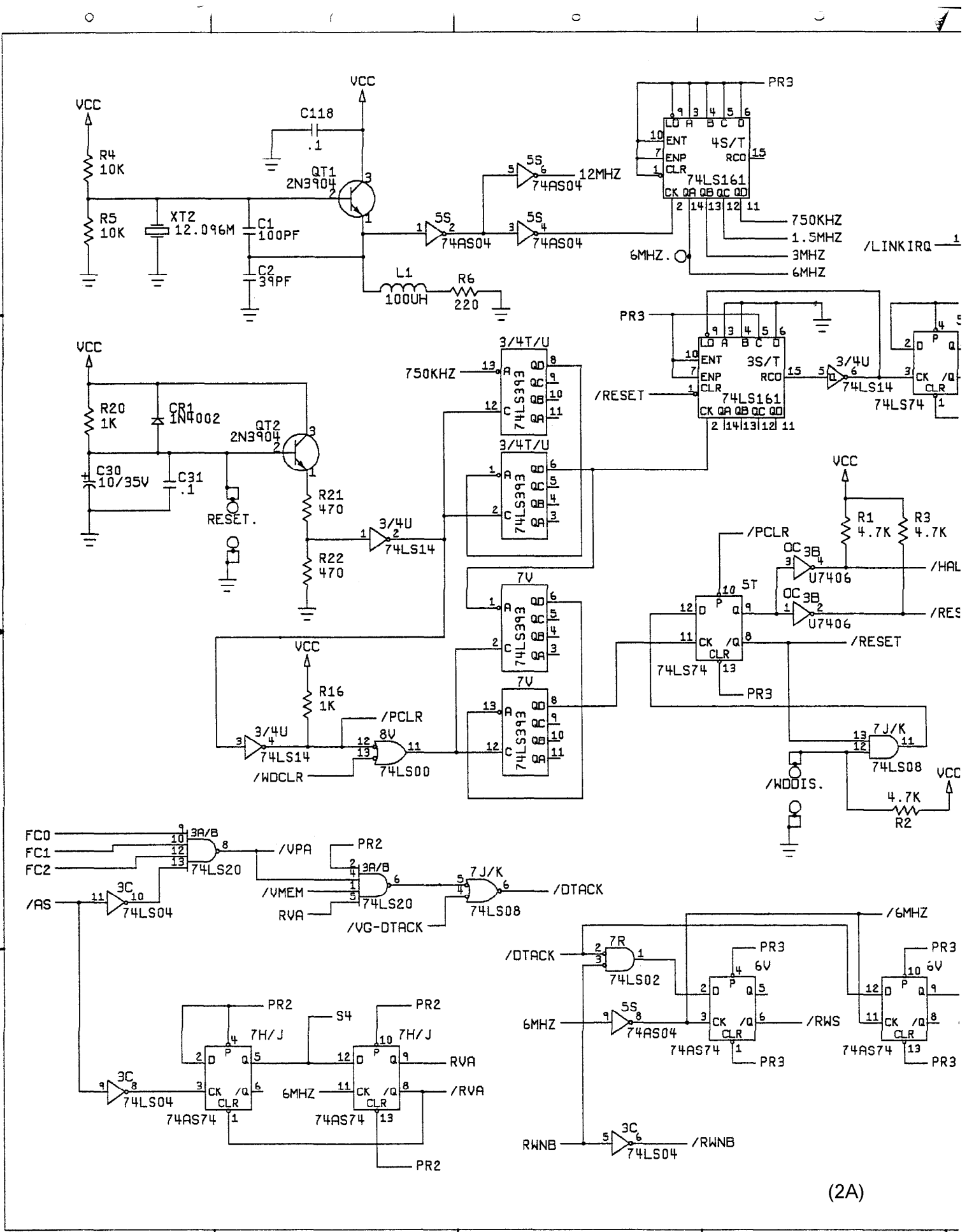
UPDATED 11-14-85

XXXXXX TOM CAT  
 G. POPKIN X-XX-XX  
 J. MARGOLIN X-XX-XX

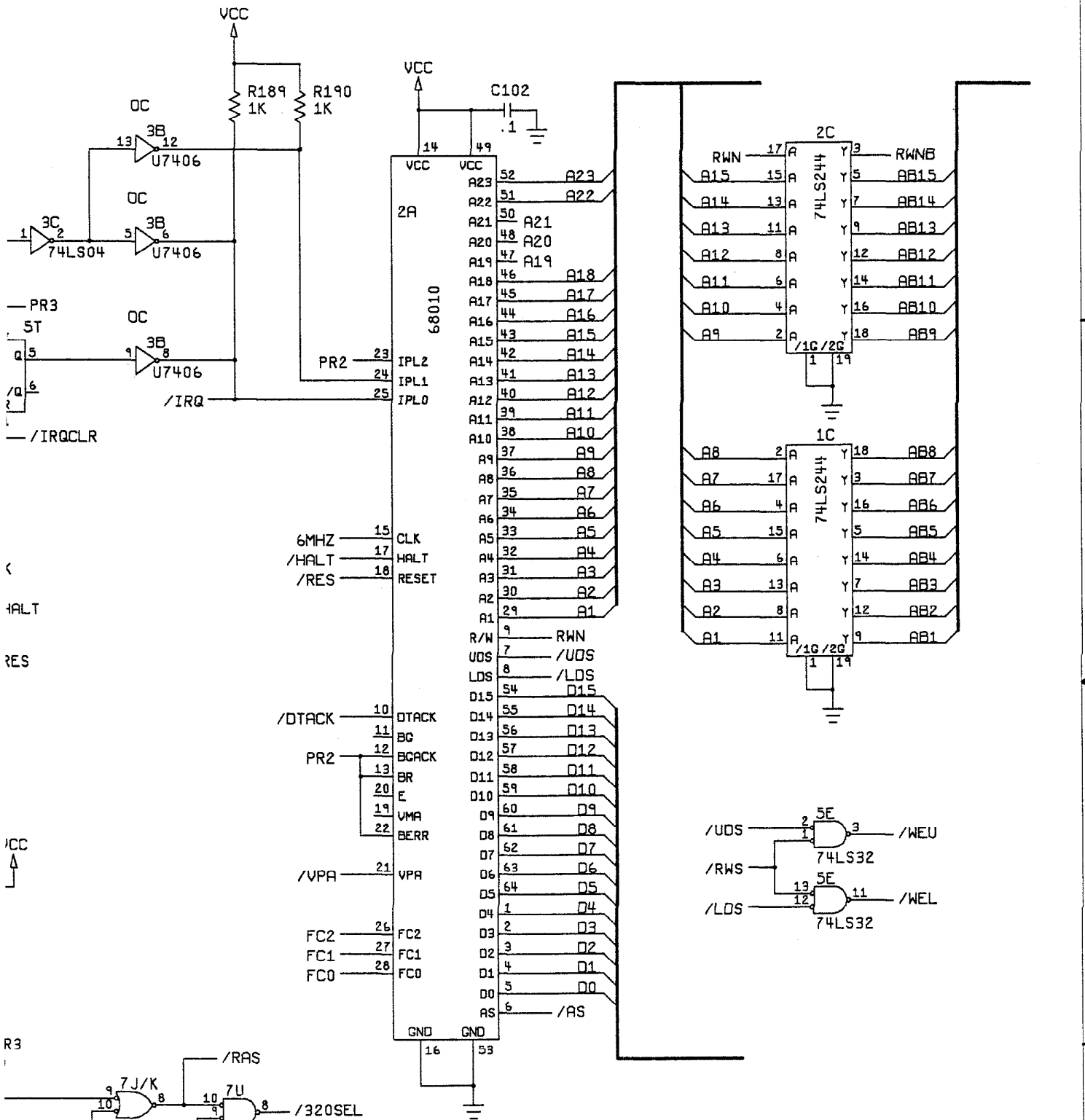
SCHMATIC  
 TOMCAT (1B)

A043414 1

NONE 1 16



(2A)

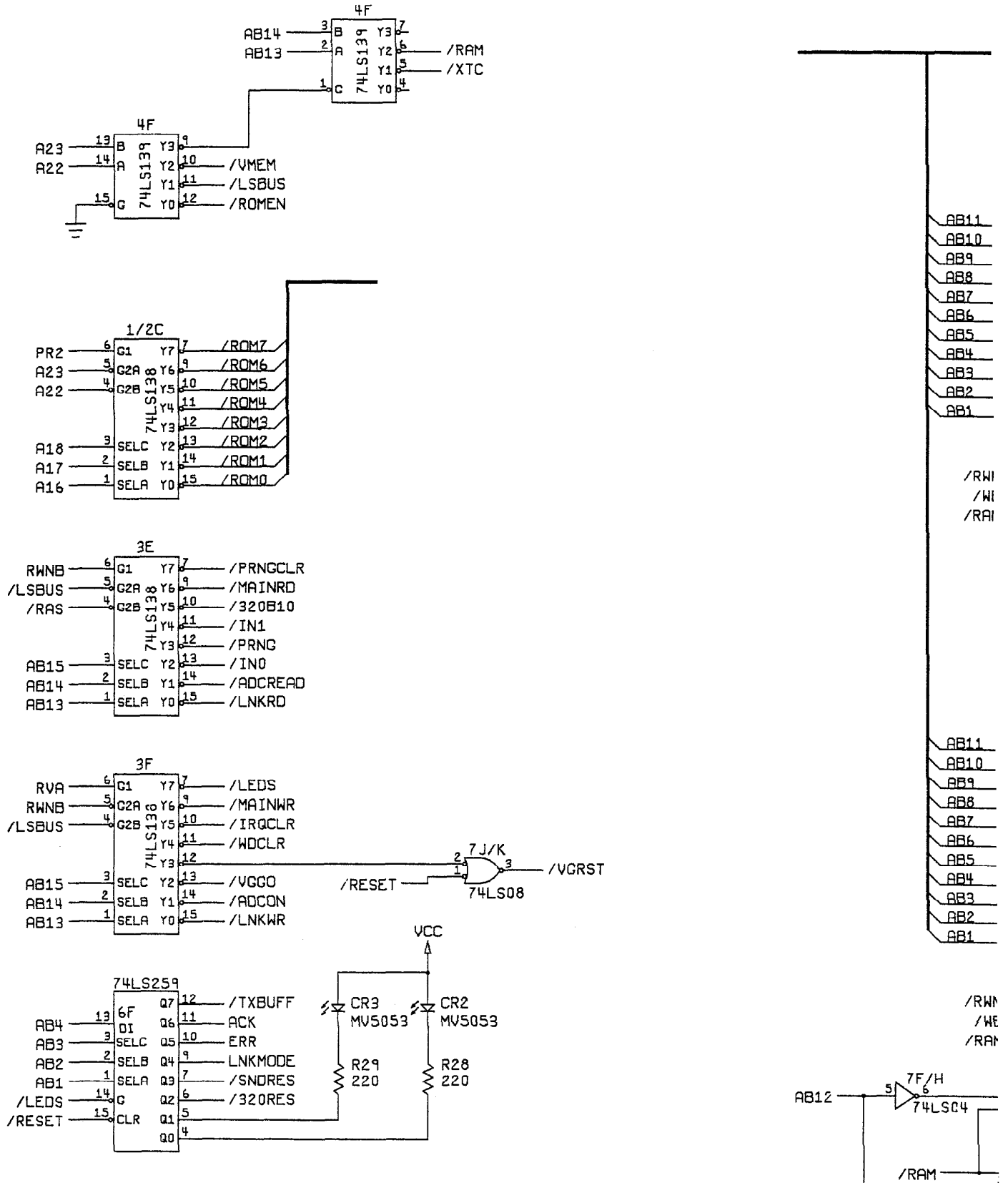


UPDATED 7-30-86

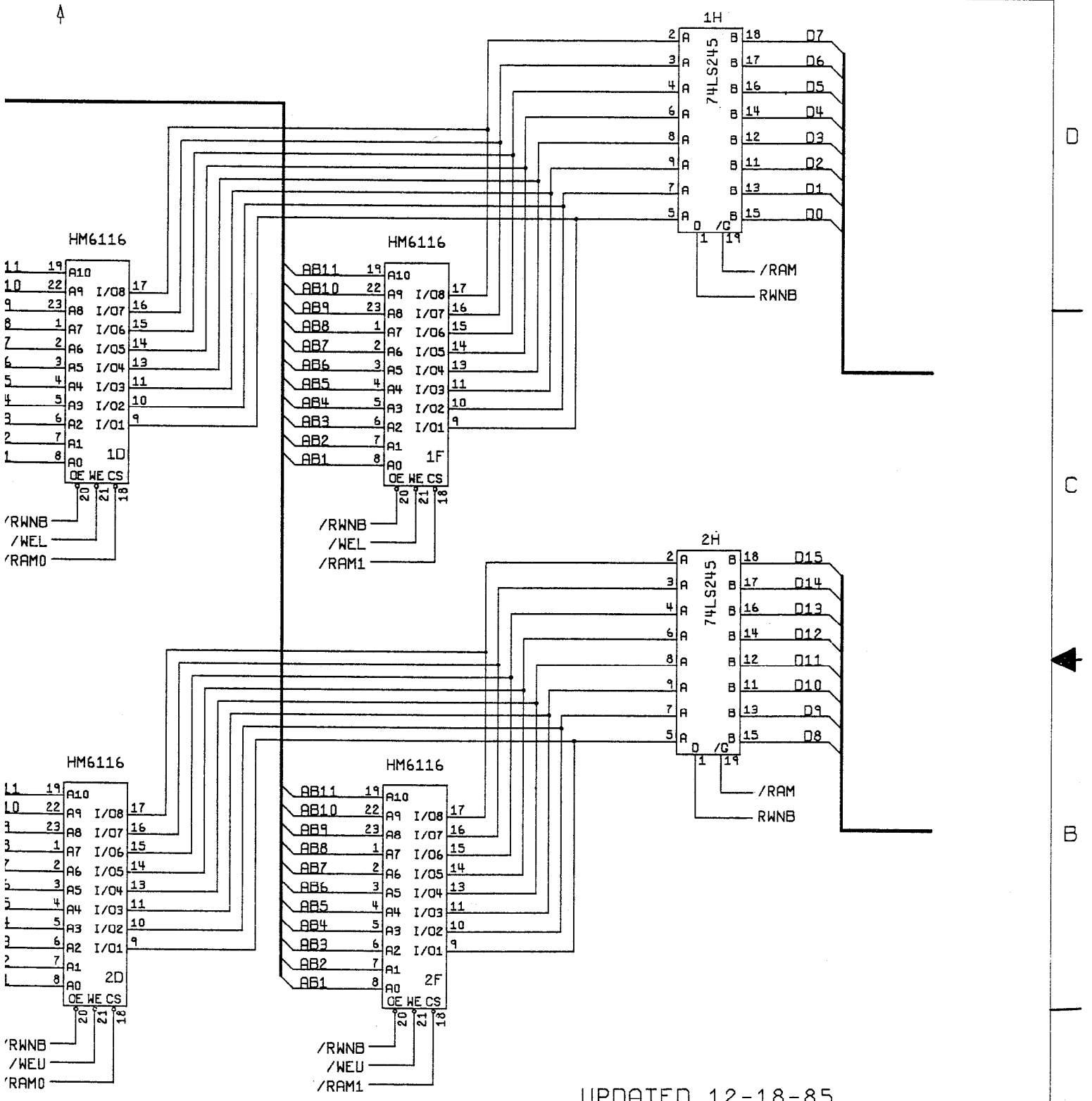
SCHMATIC  
TOM CAT  
(2B)

A043414 1

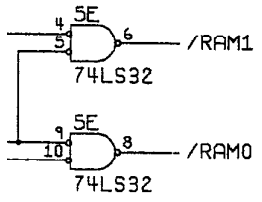
NONE 2 16



(3A)

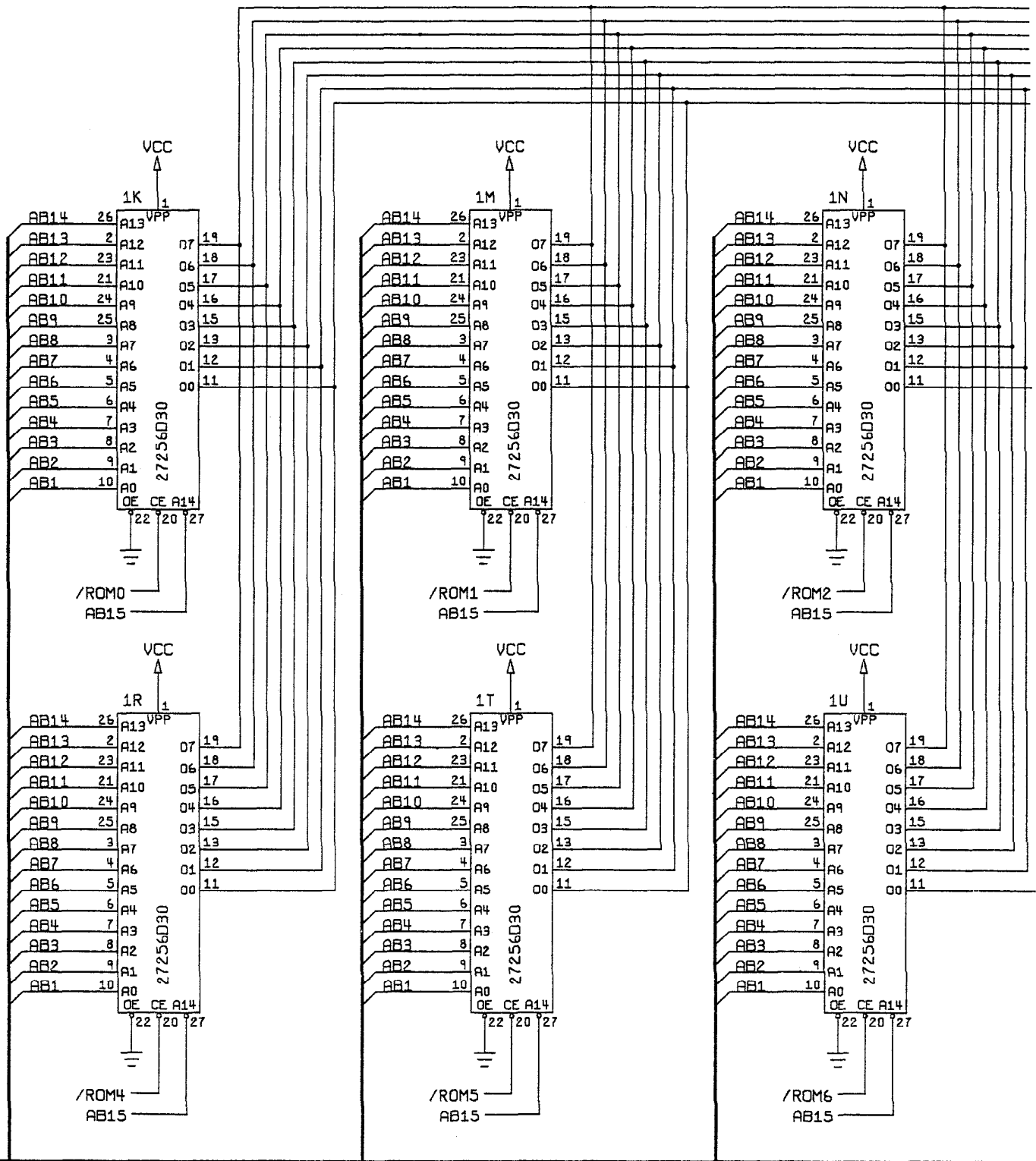


UPDATED 12-18-85

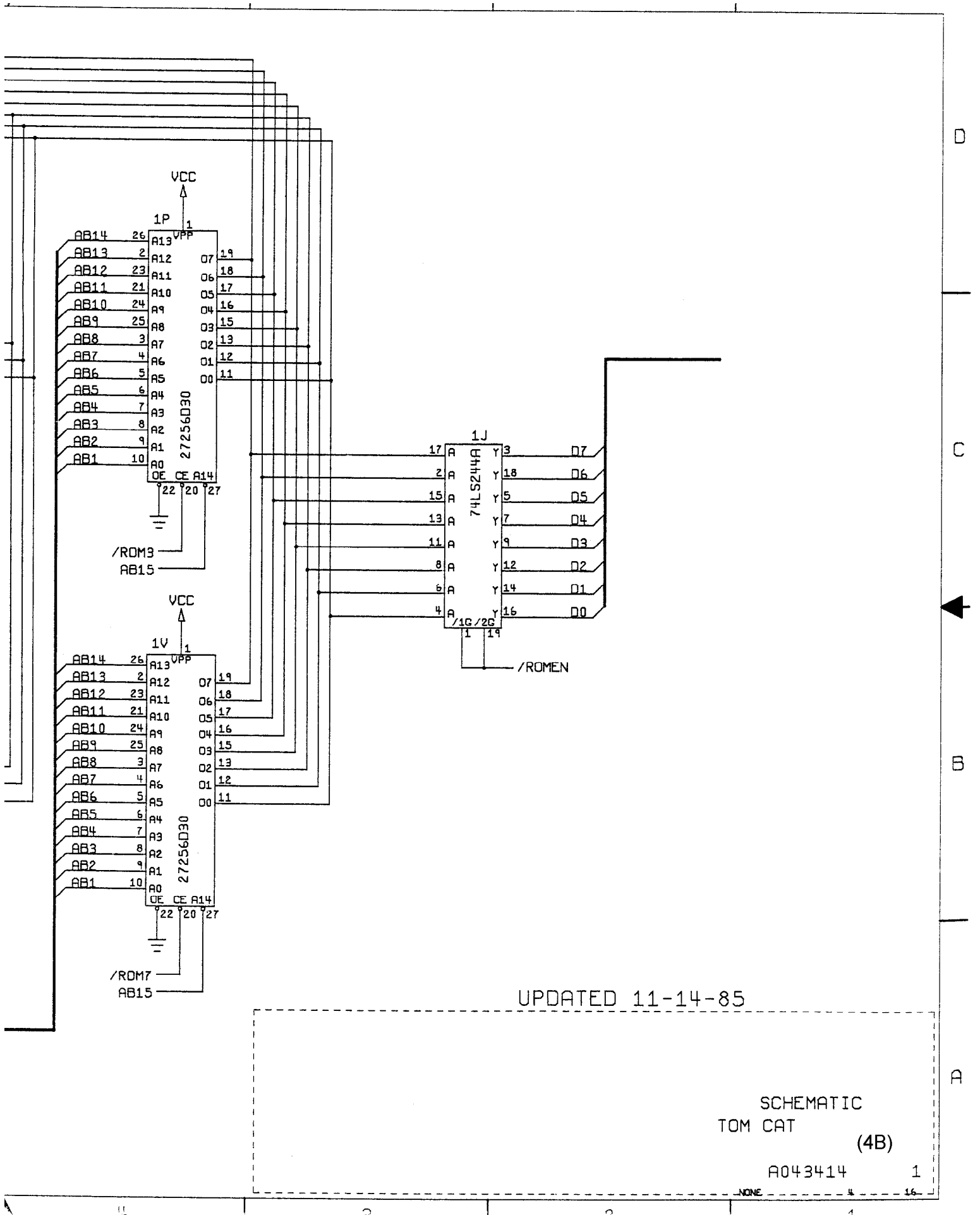


SCHMATIC  
TOM CAT  
(3B)

A043414 1



(4A)



UPDATED 11-14-85

SCHEMATIC  
TOM CAT  
(4B)

A043414 1

NONE 4 16

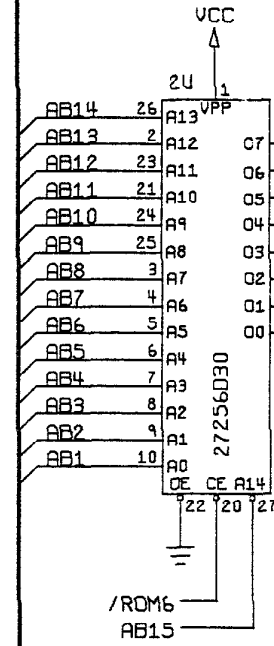
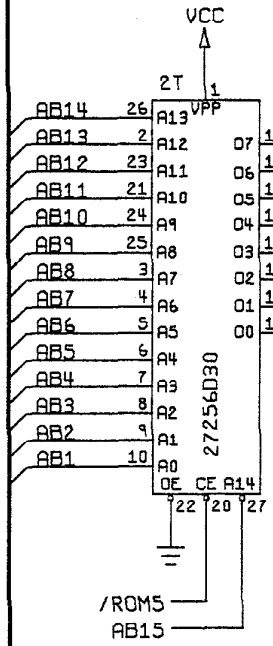
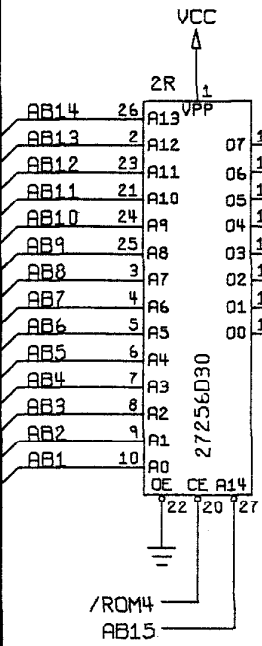
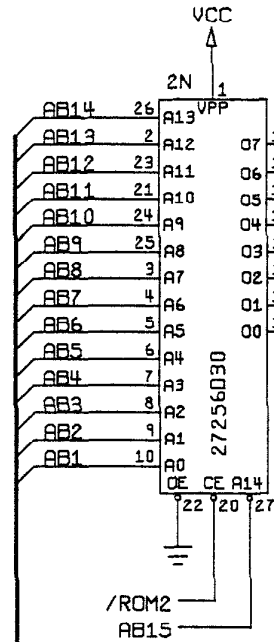
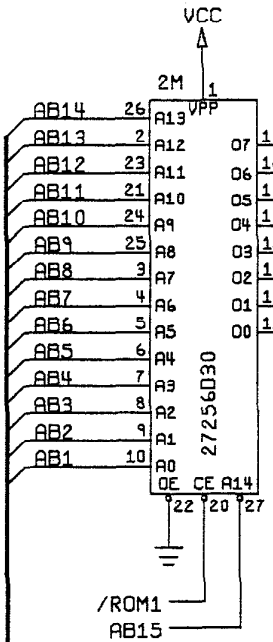
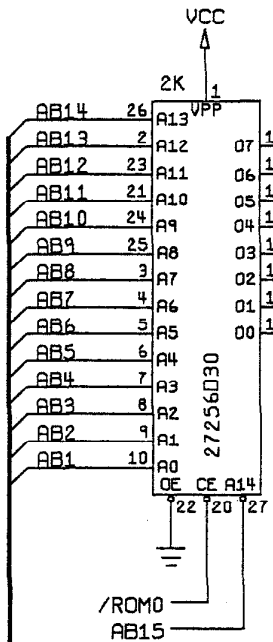
D

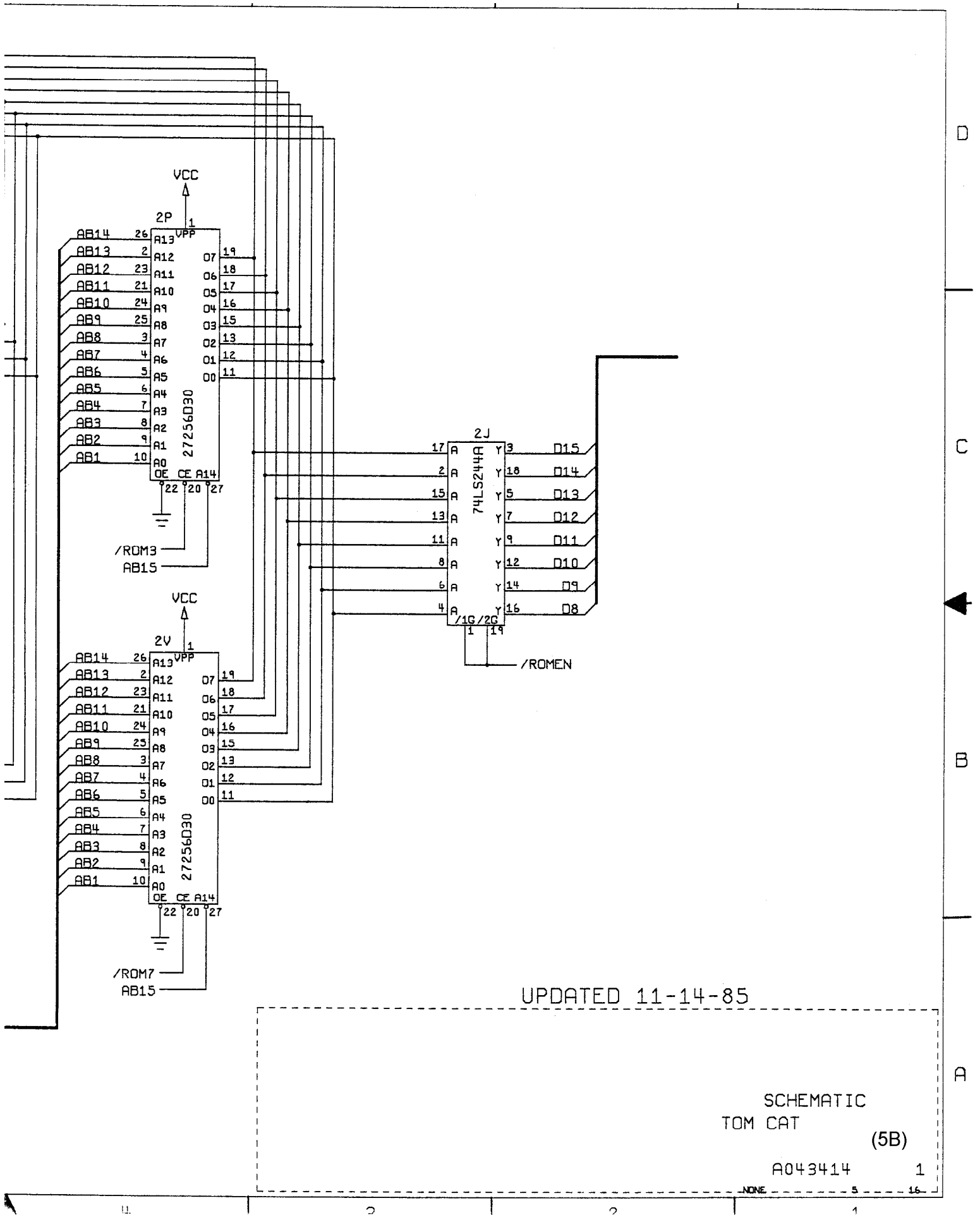
C

B

A







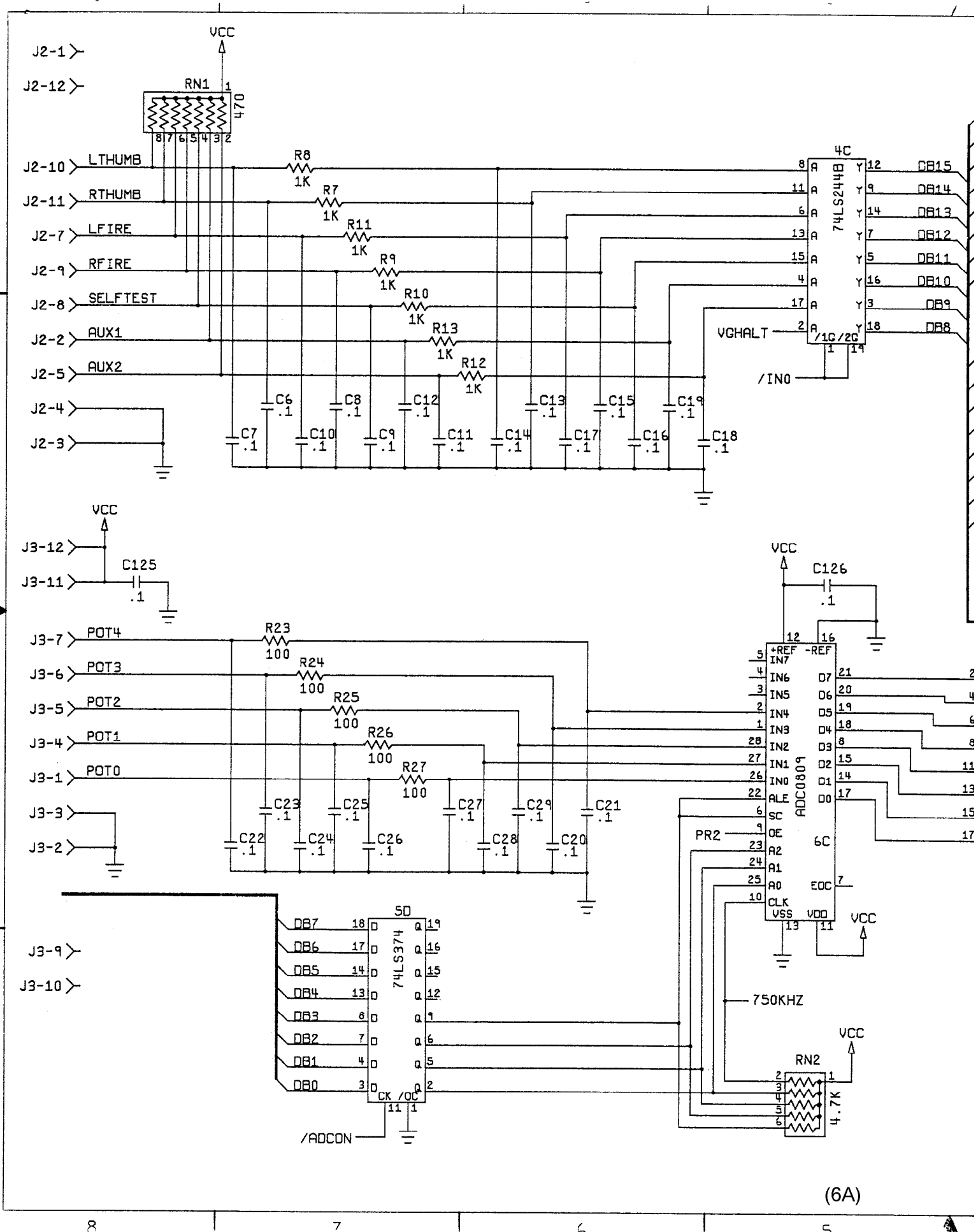
UPDATED 11-14-85

SCHMATIC  
TOM CAT  
(5B)

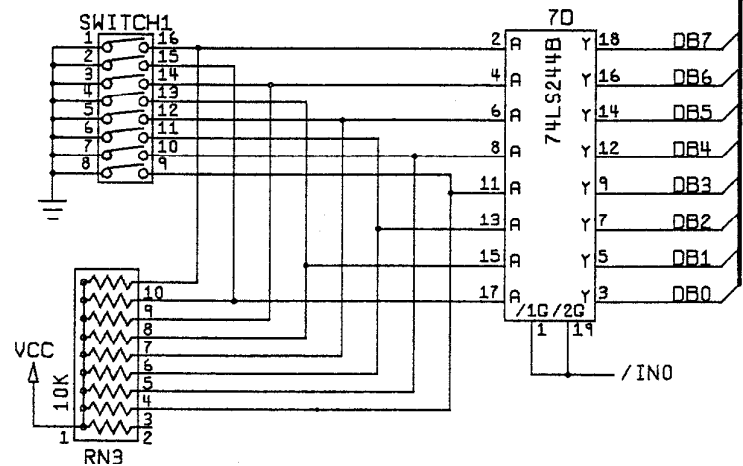
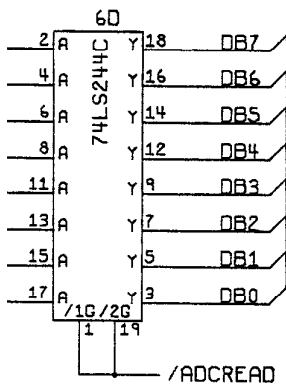
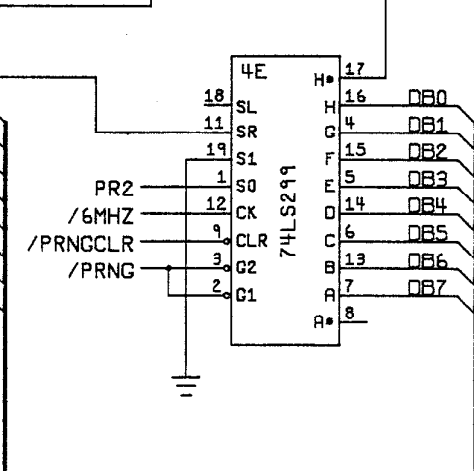
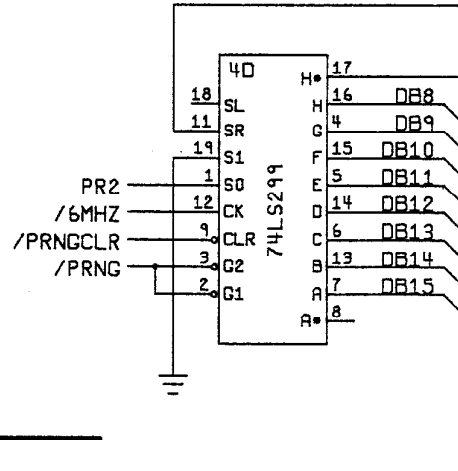
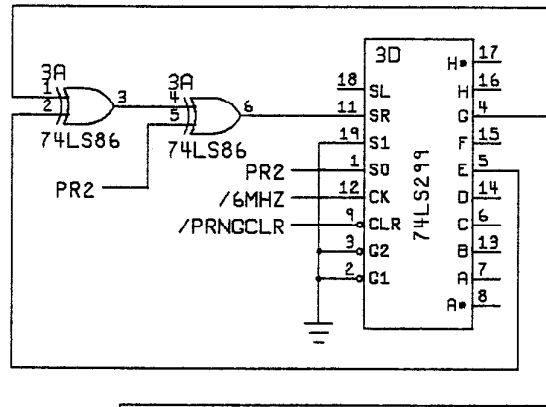
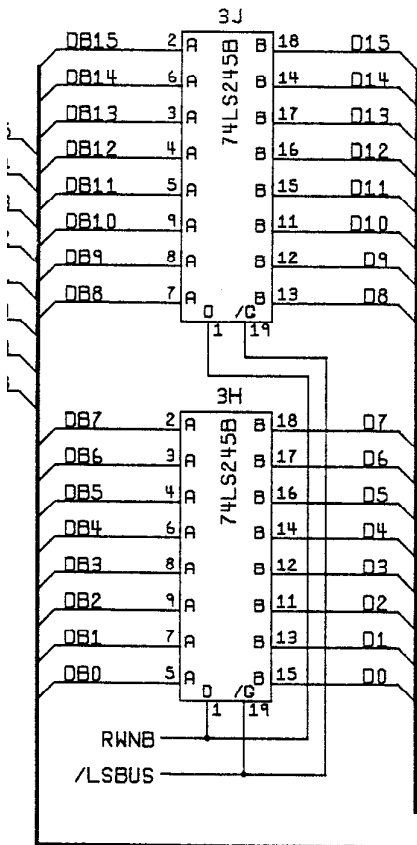
A043414 1

NONE 5 16

D  
C  
B  
A

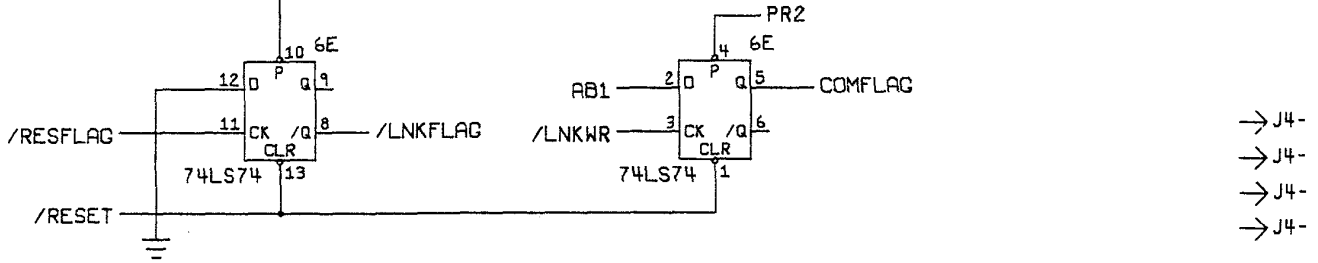
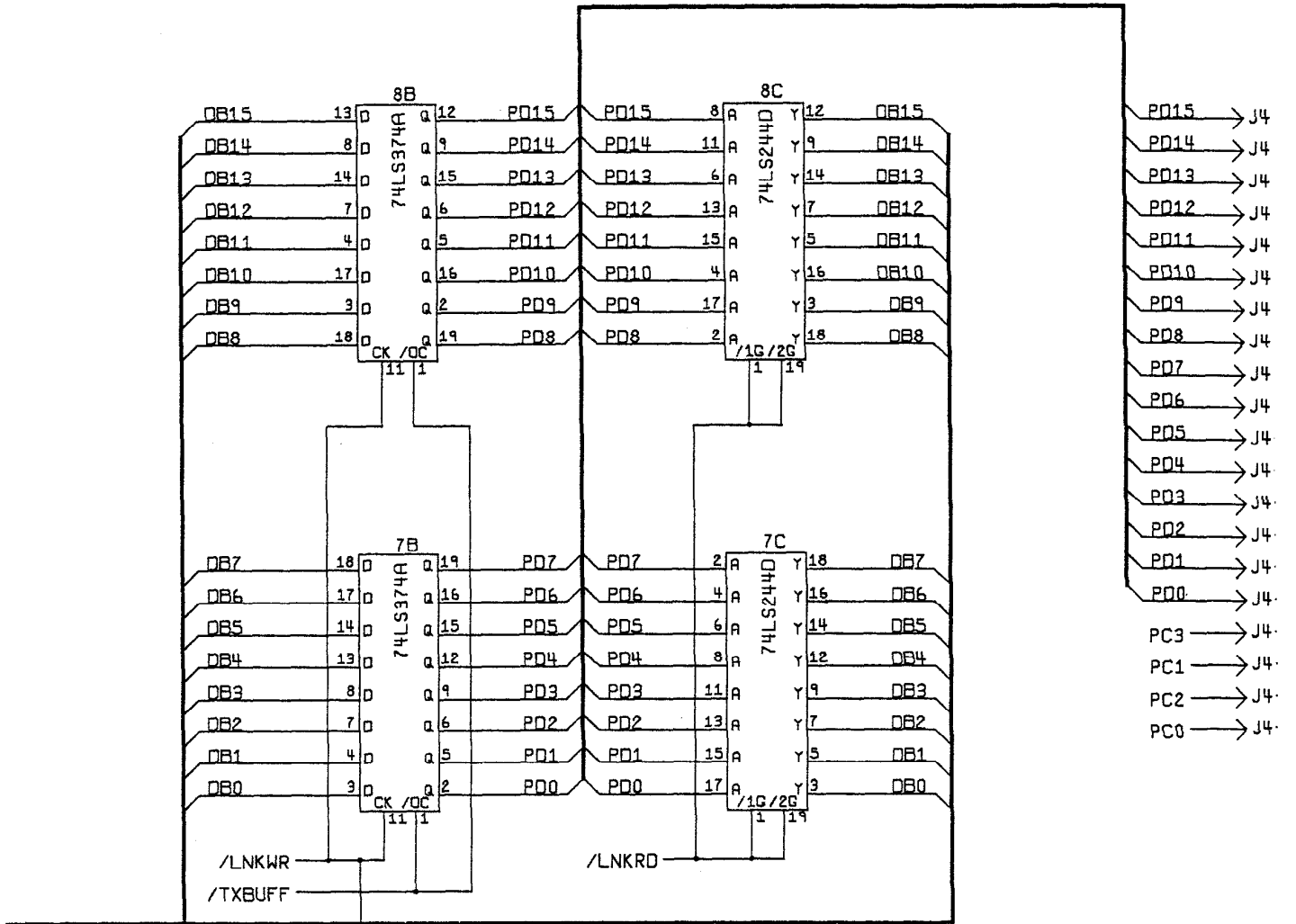


(6A)

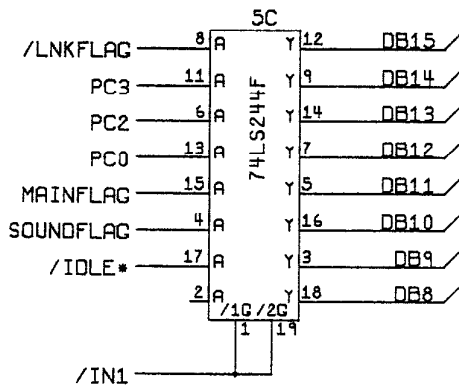
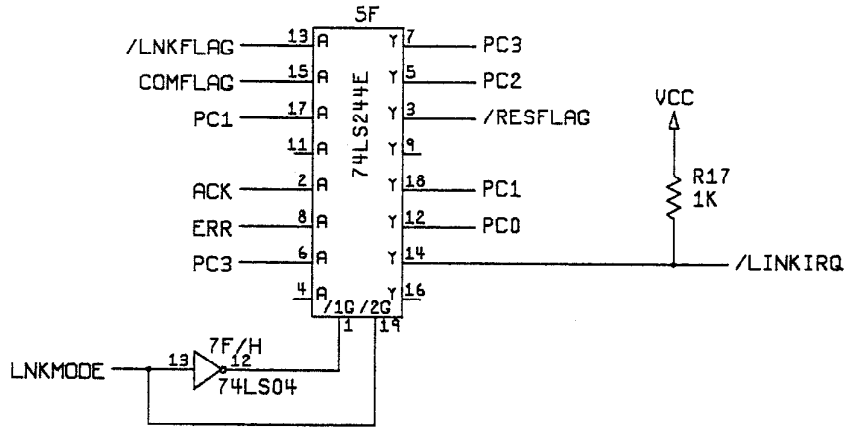
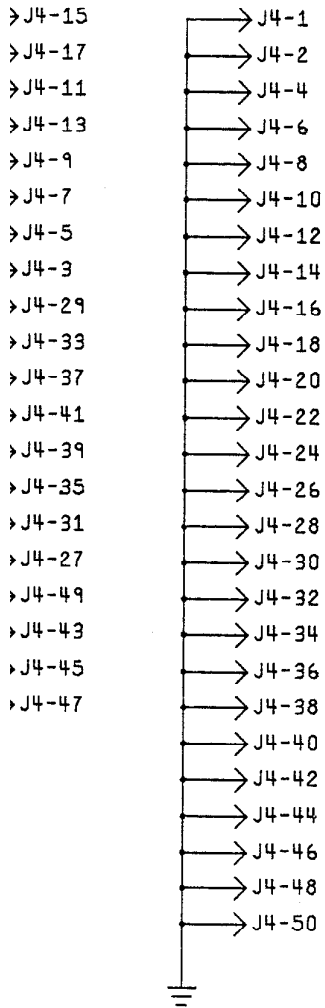


UPDATED 12-18-85

SCHMATIC  
TOM CAT  
(6B)  
A043414 1  
NONE 6 16



(7A)



J4-19  
 J4-21  
 J4-23  
 J4-25

UPDATED 1-23-86

SCHEMATIC  
 TOM CAT  
 (7B)

A043414 1

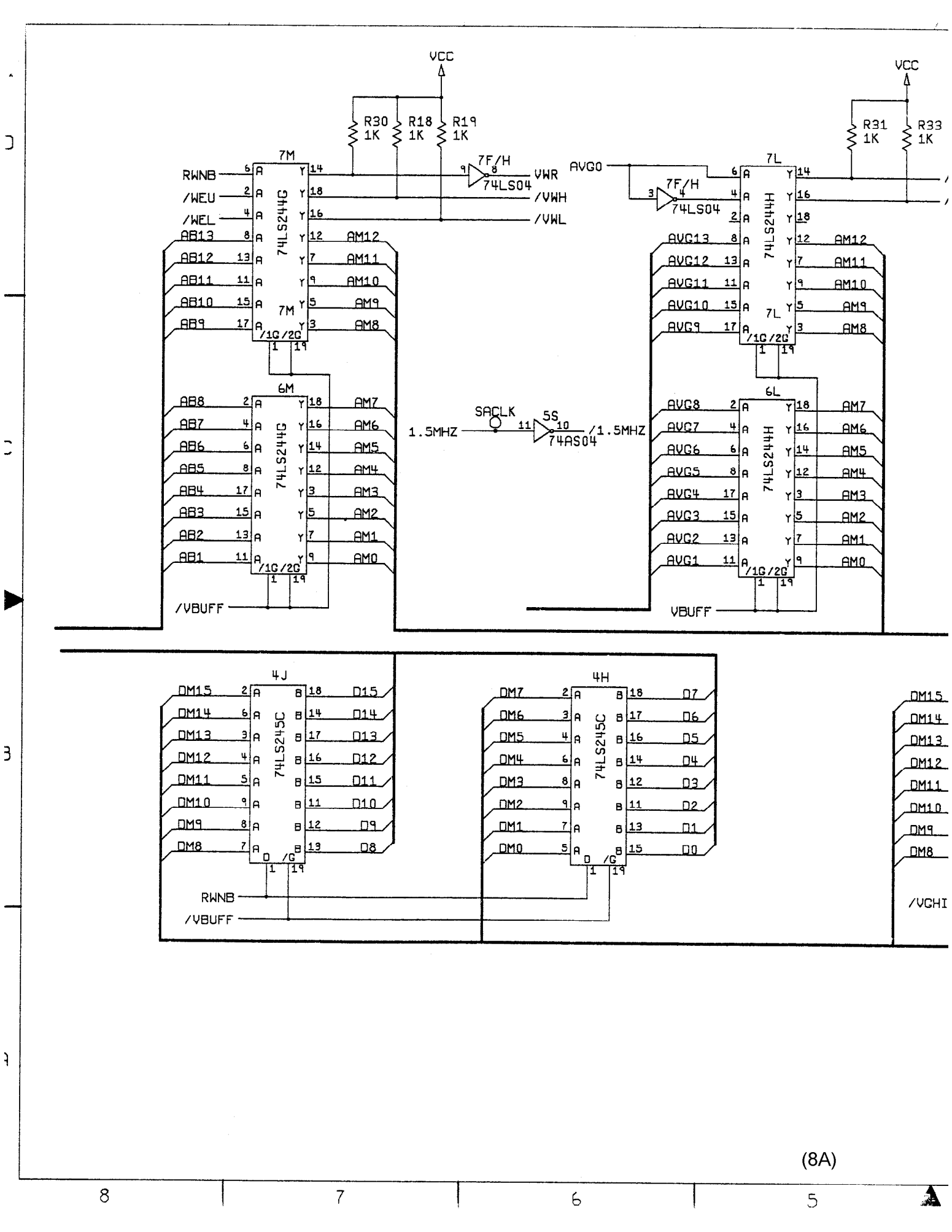
NONE 1 16

D

C

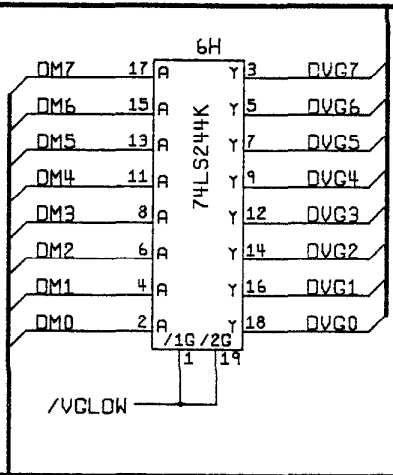
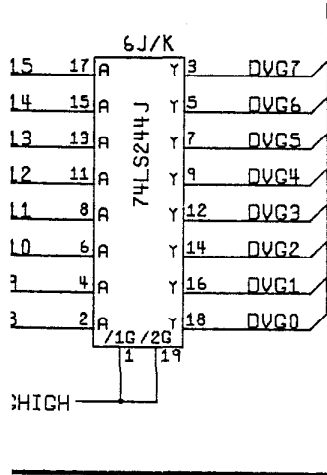
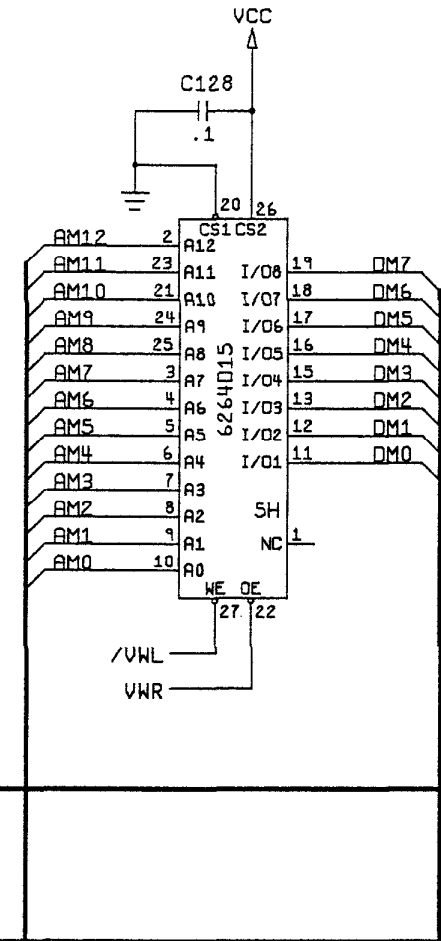
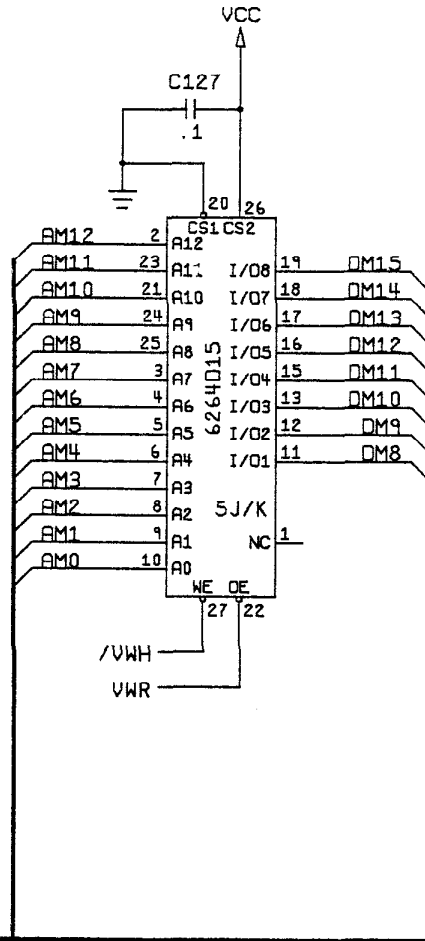
B

A



33  
<

- /VGLW  
- /VGHIGH



UPDATED 11-14-85

SCHEMATIC  
TOM CAT (8B)

A043414 1

NONE 8 16

4

3

2

1

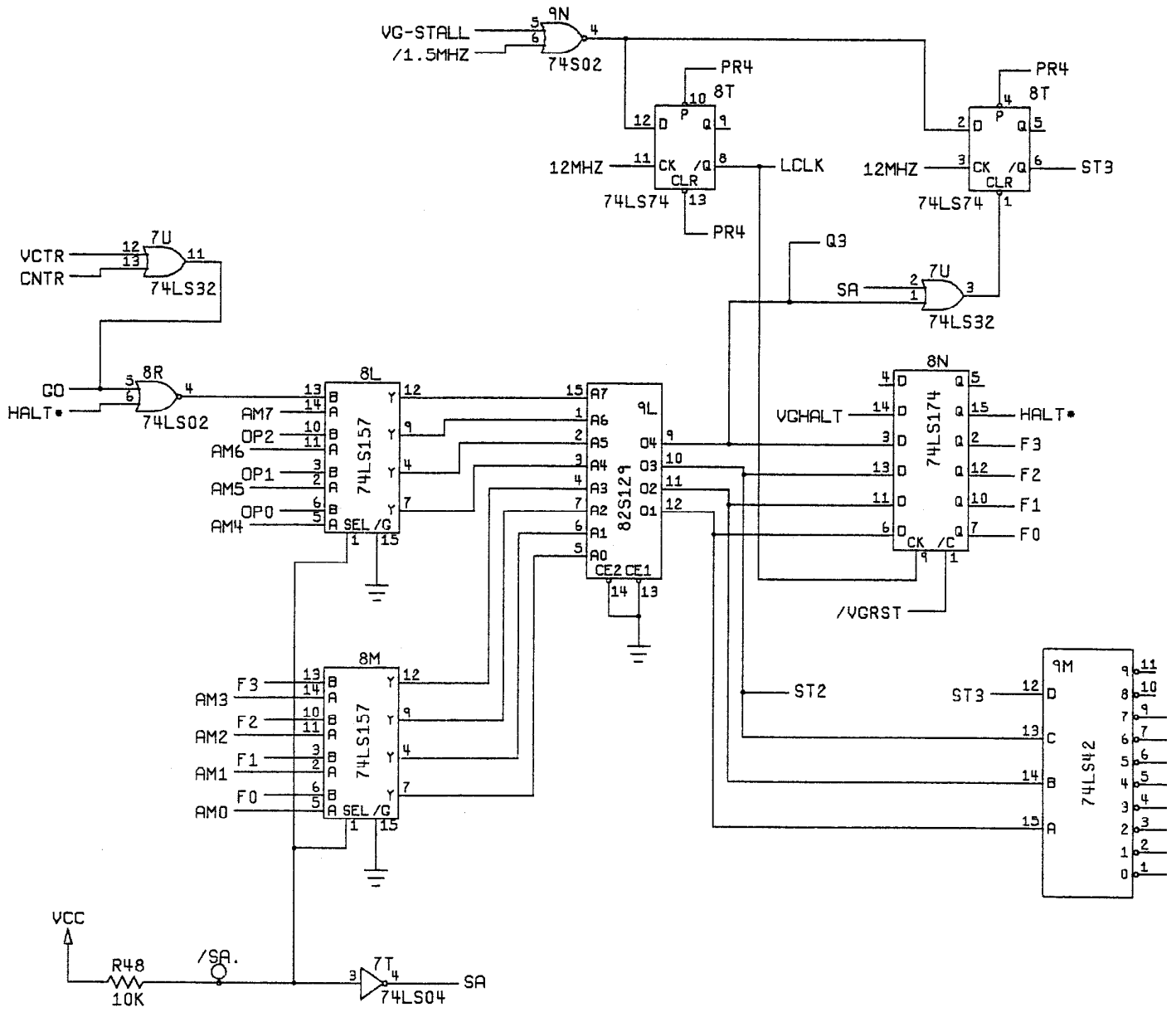
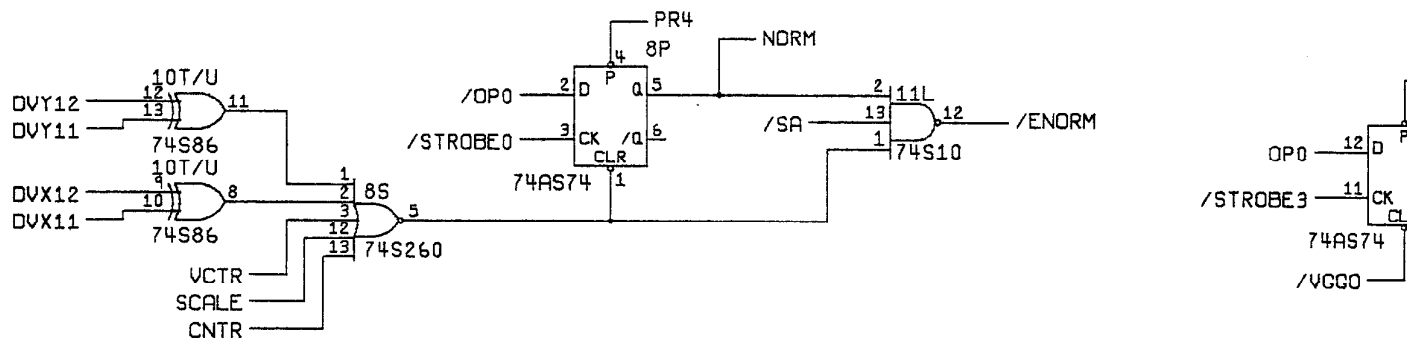
D

C

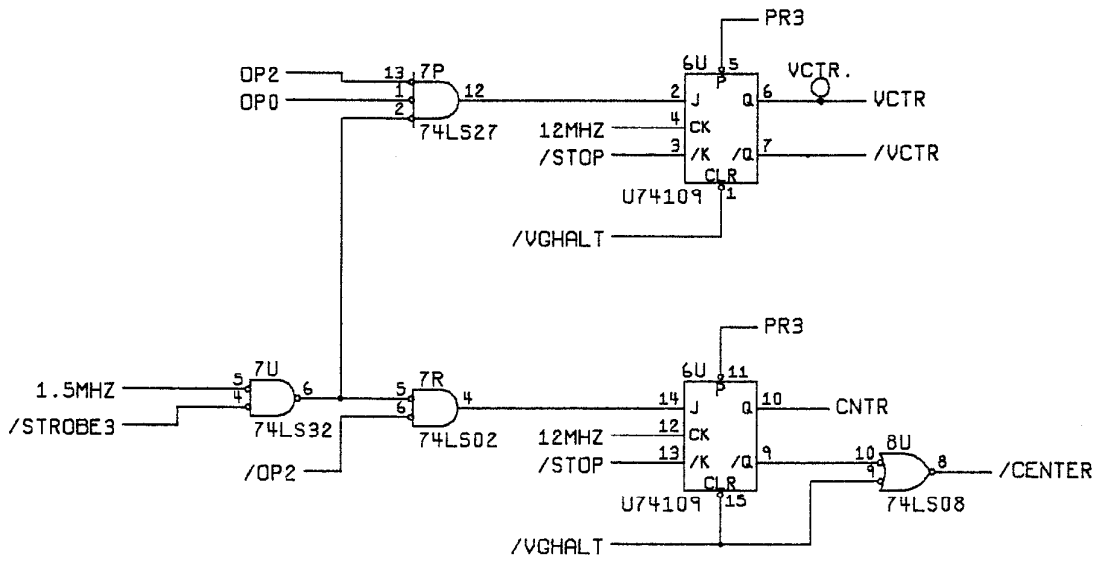
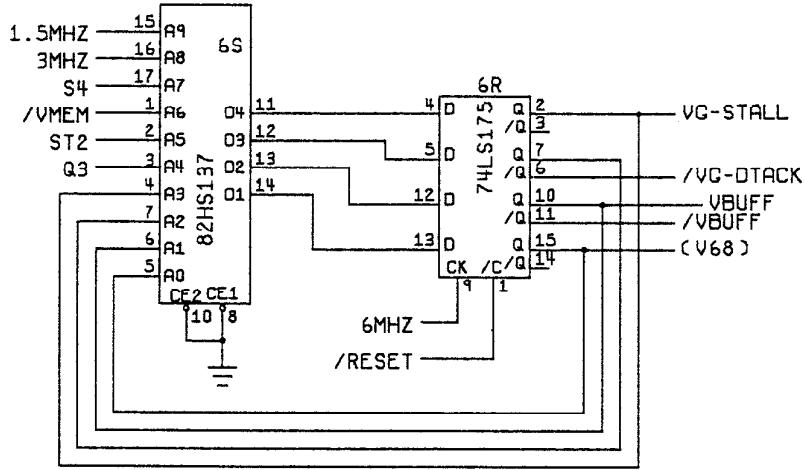
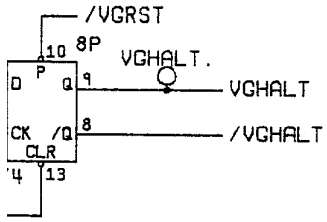
B

A





(9A)



- 11
- 10
- 9 /STROBE3
- 7 /STROBE2
- 6 /STROBE1
- 5 /STROBE0
- 4 /LATCH3
- 3 /LATCH2
- 2 /LATCH1
- 1 /LATCH0

UPDATED 12-18-85

SCHMATIC  
TOM CAT  
(9B)

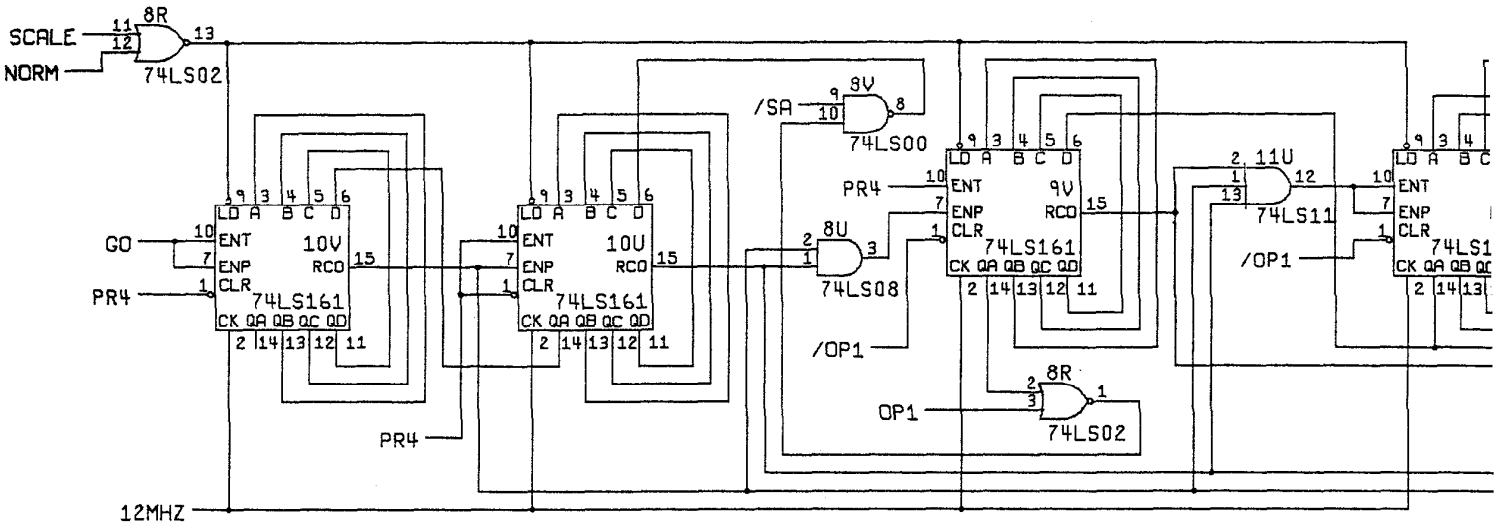
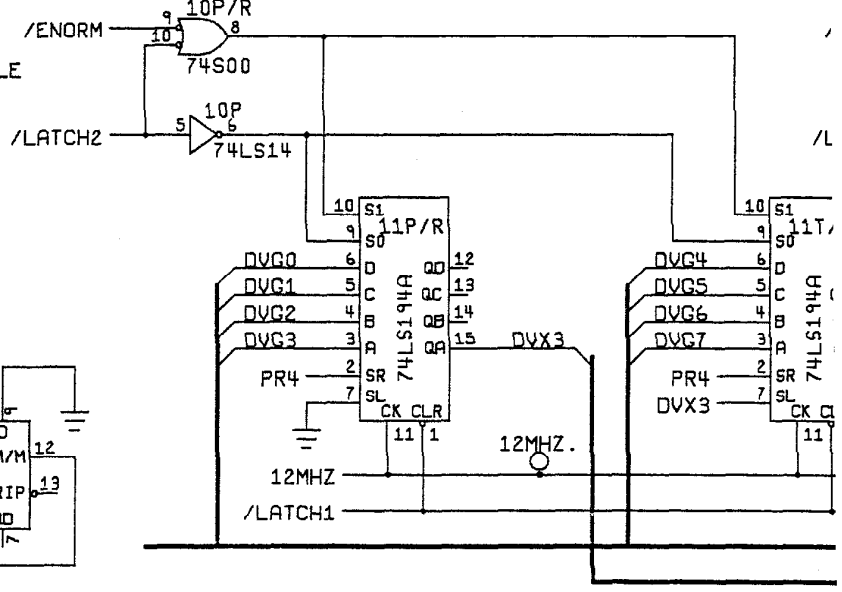
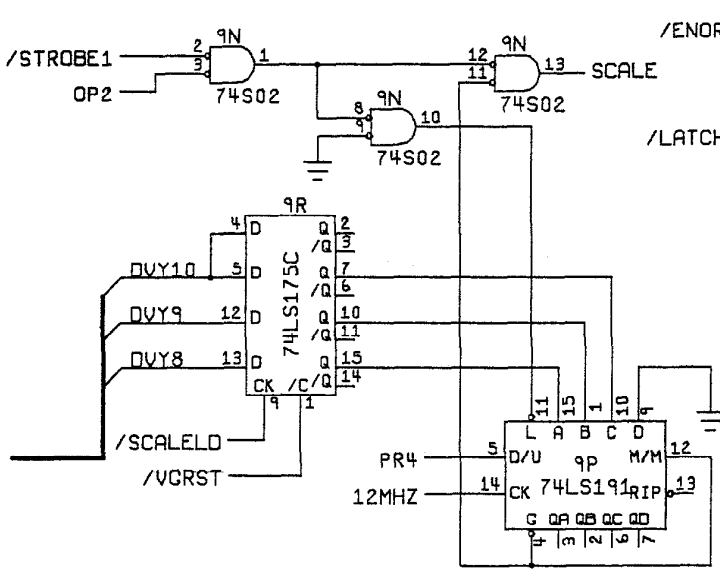
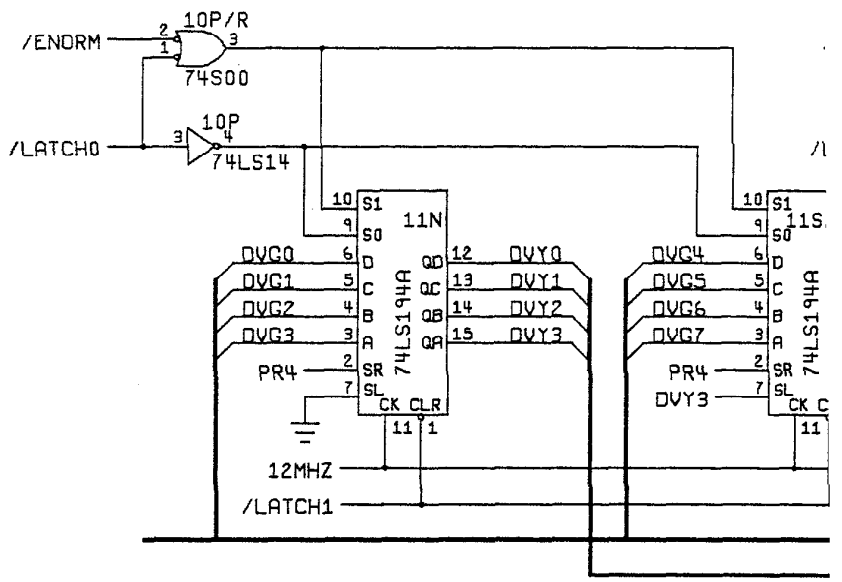
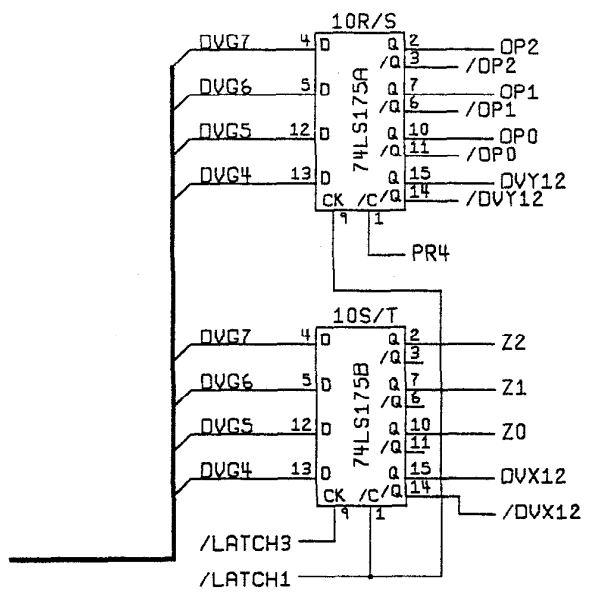
A043414

1

NONE

9

16



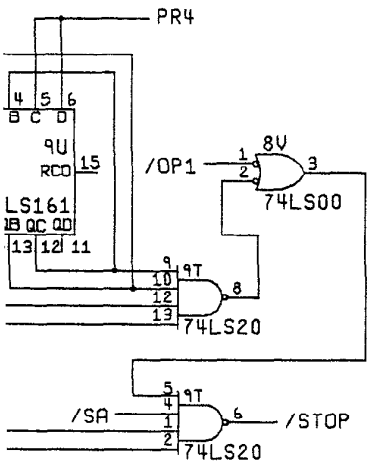
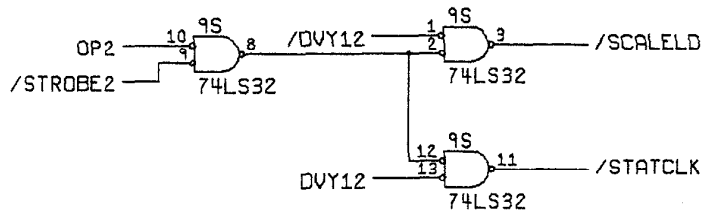
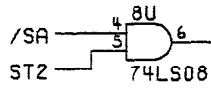
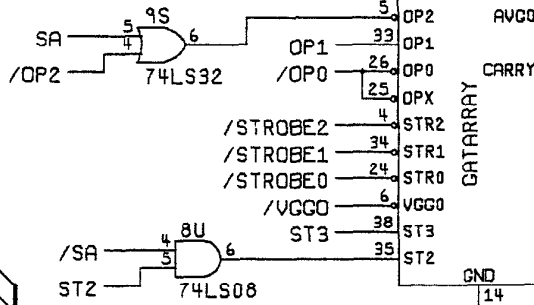
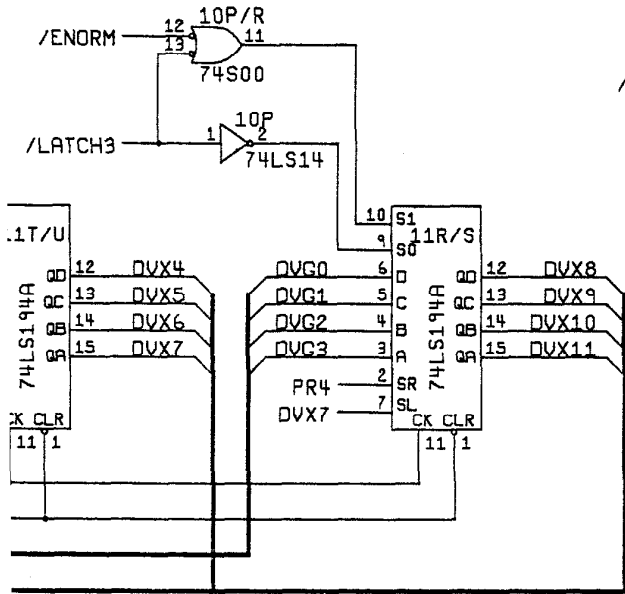
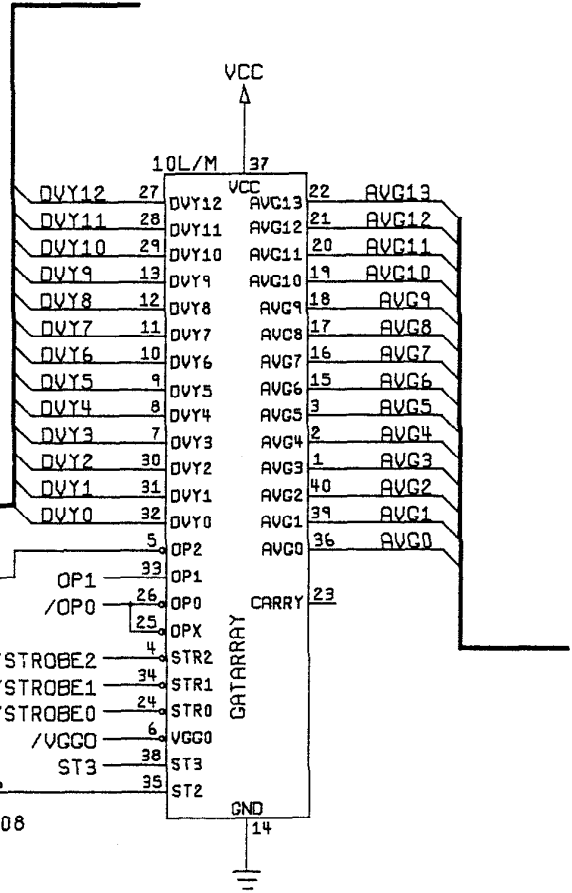
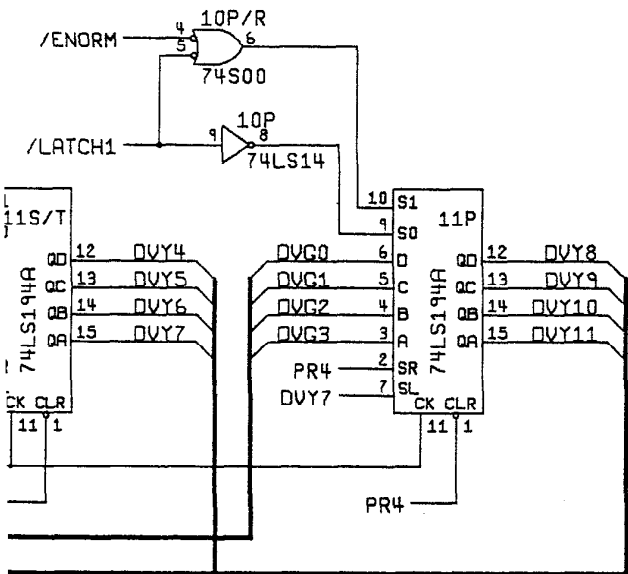
(10A)

8

7

6

5



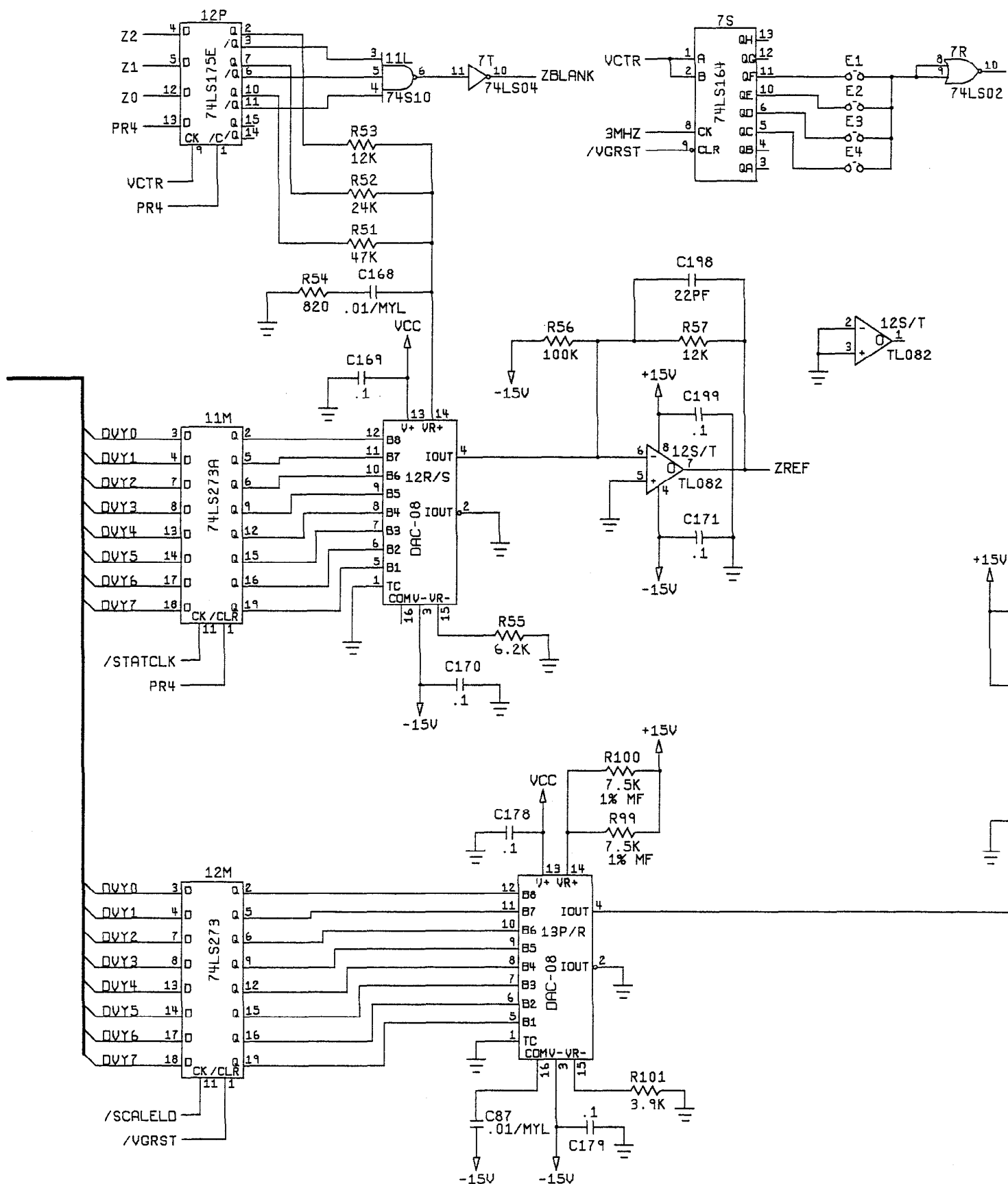
UPDATED 1-23-86

SCHMATIC  
TOM CAT  
(10B)

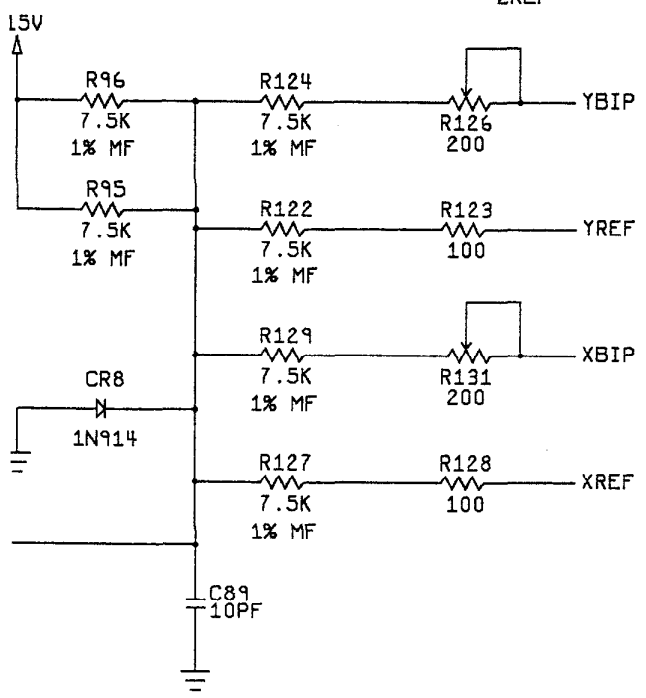
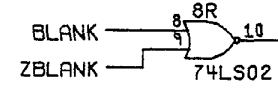
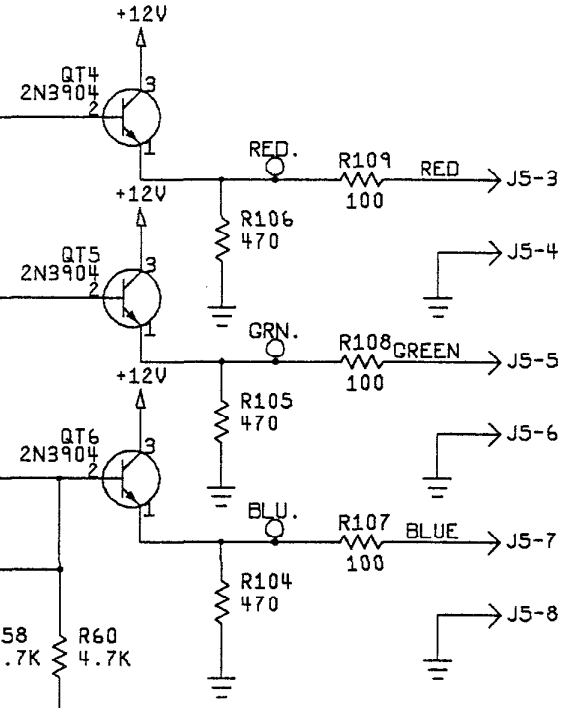
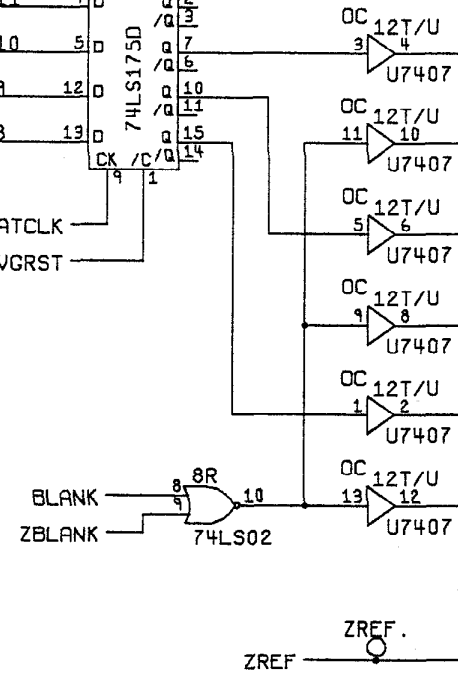
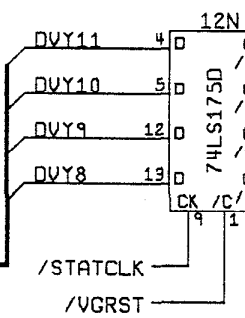
A043414

1

NONE 10 16



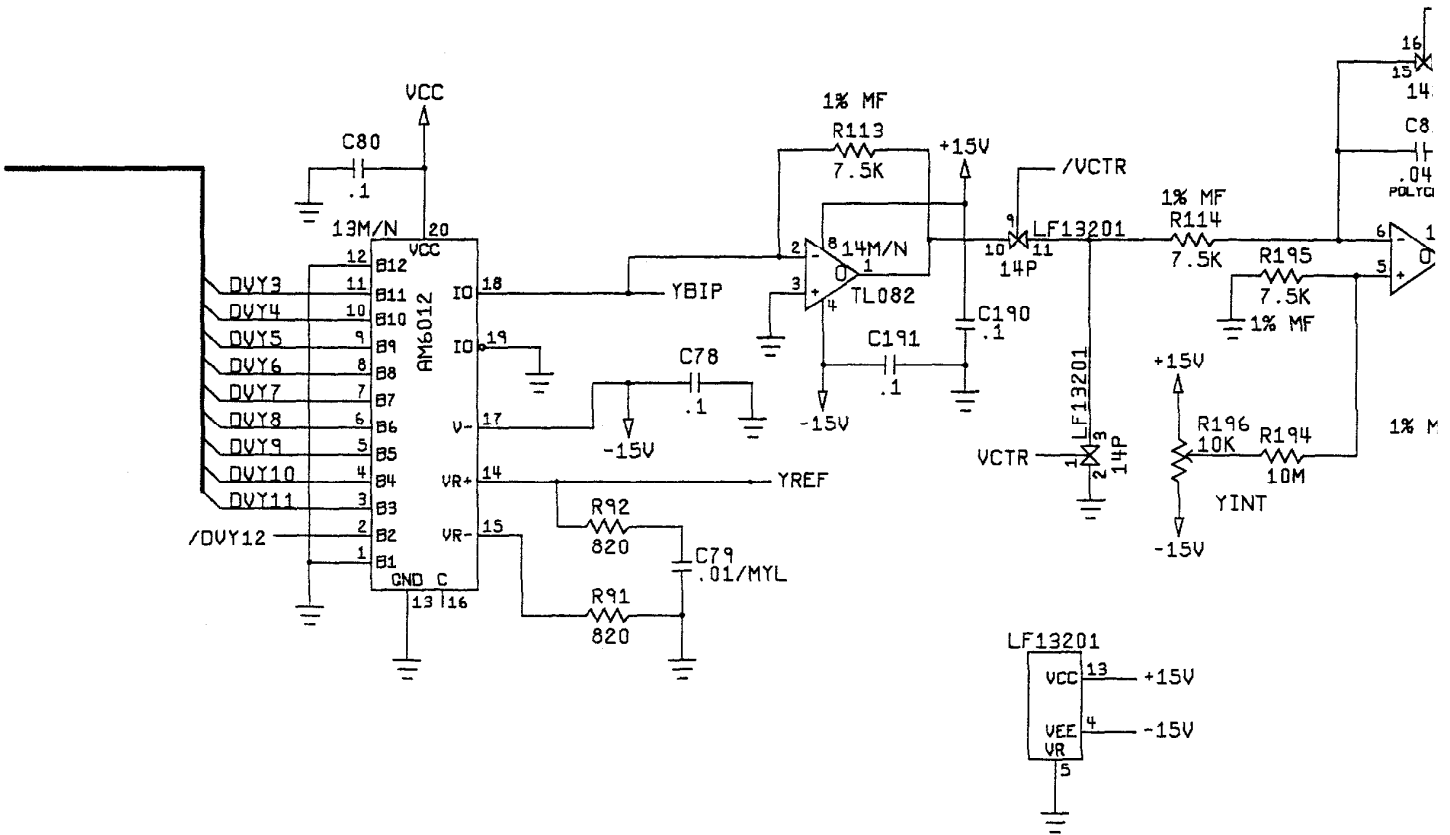
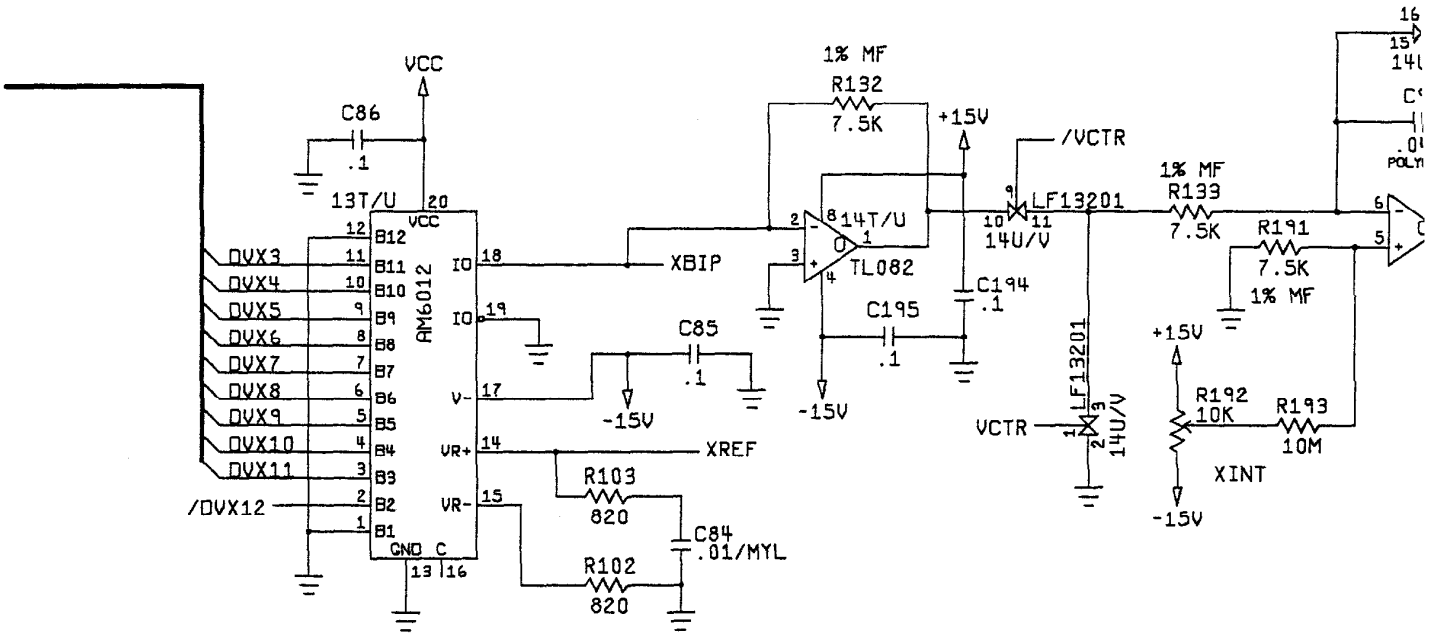
10 BLANK  
502



UPDATED 7-30-86

SCHEMATIC  
TOM CAT (11B)

A043414 1



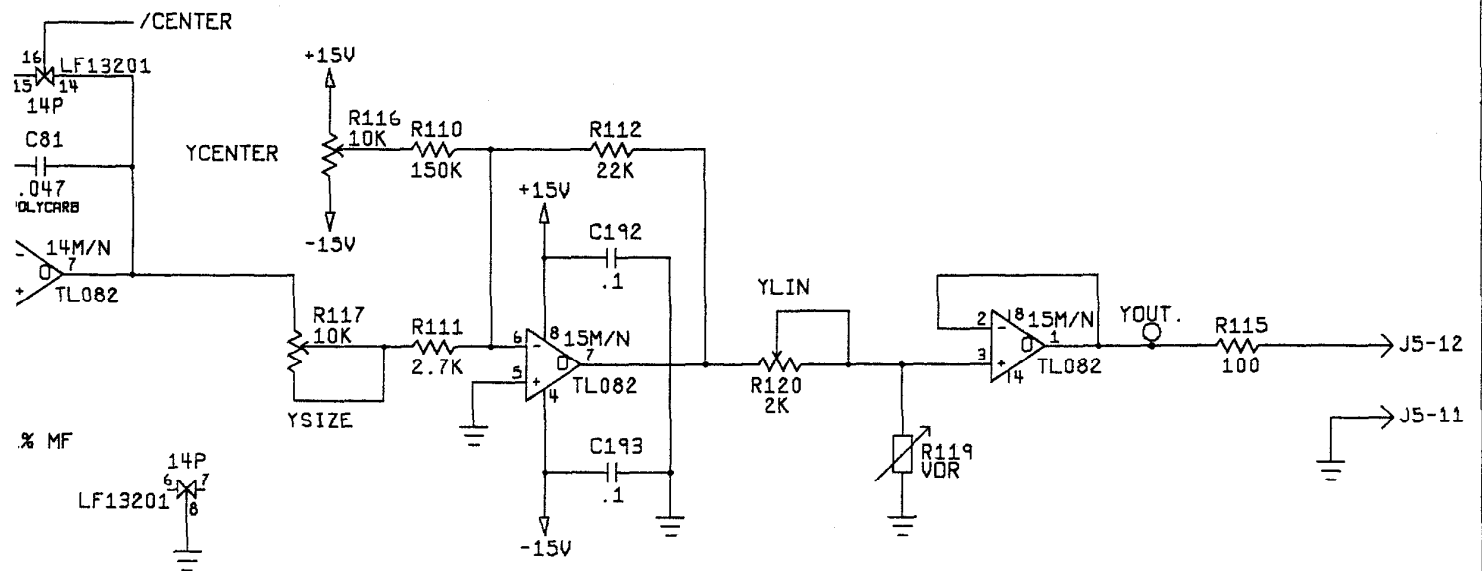
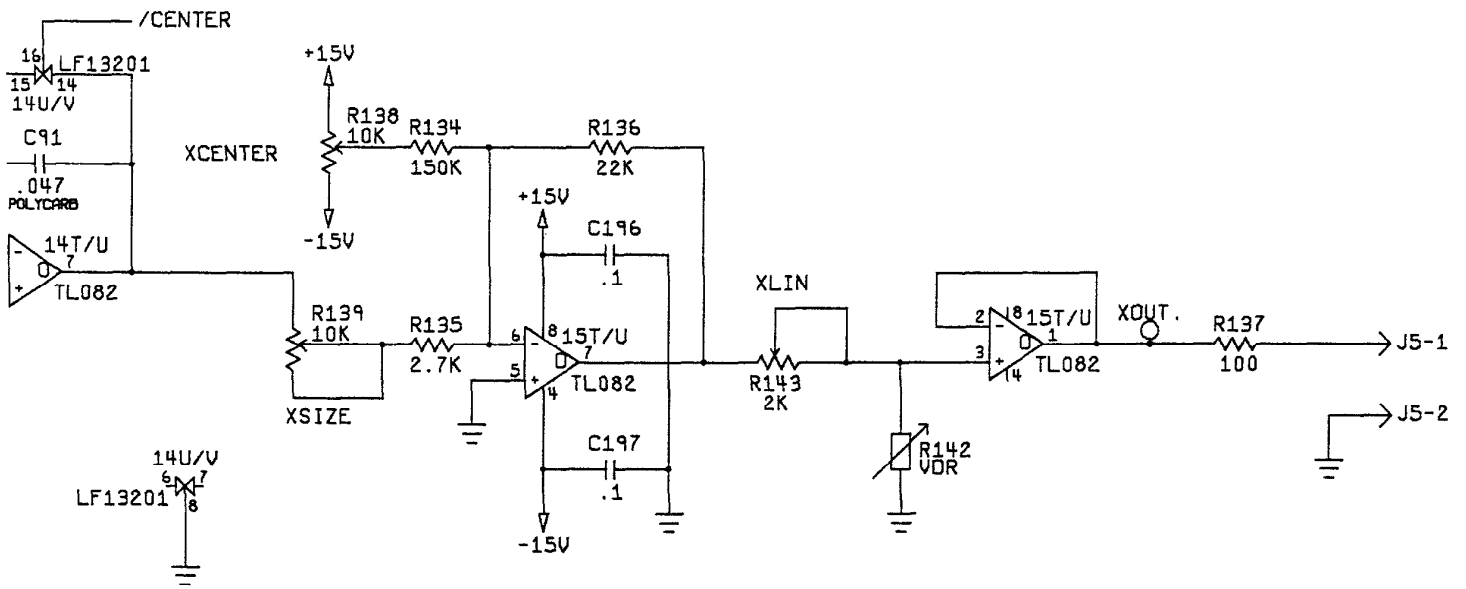
(12A)

8

7

6

5



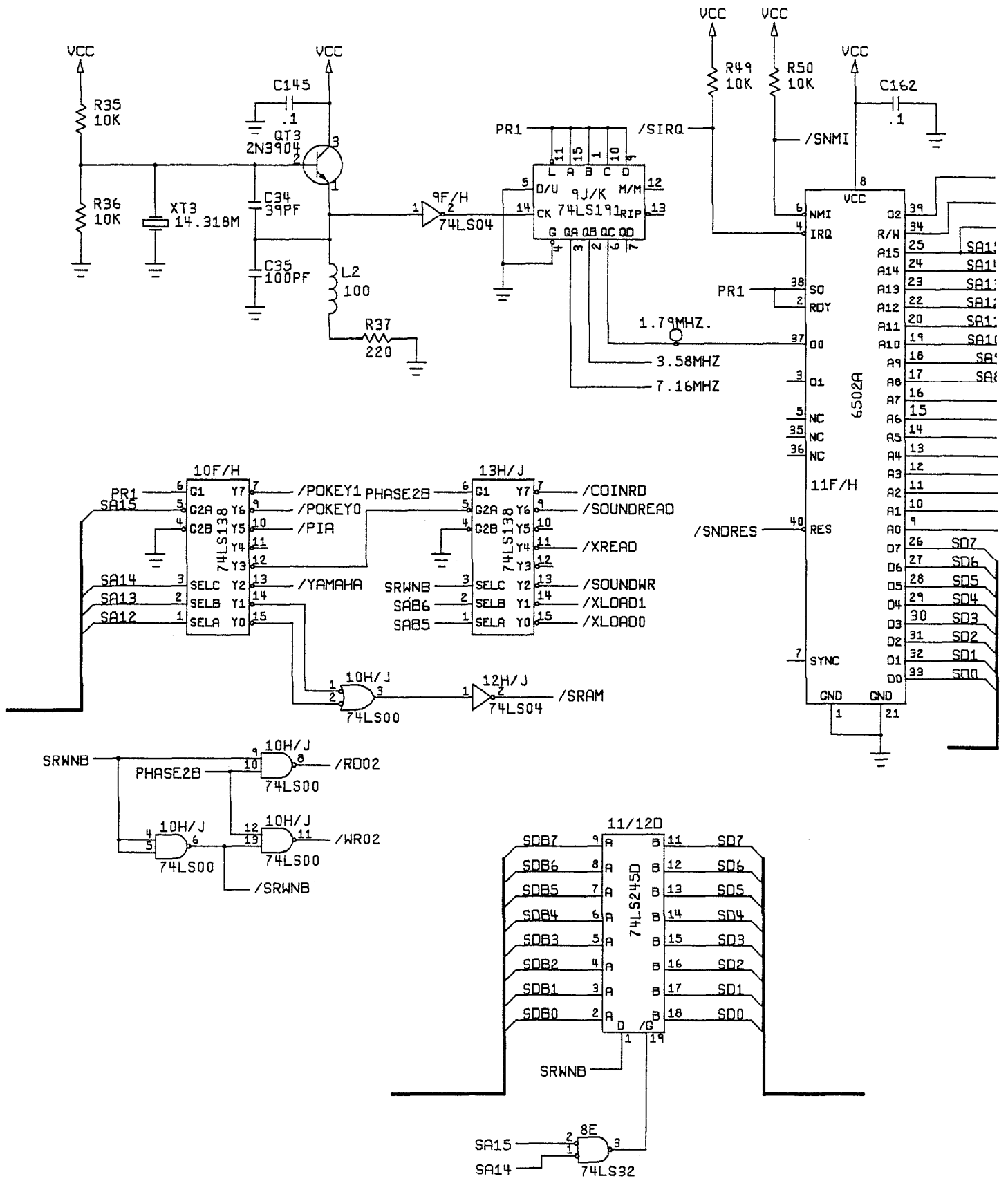
UPDATED 7-30-86

SCHMATIC  
TOM CAT  
(12B)

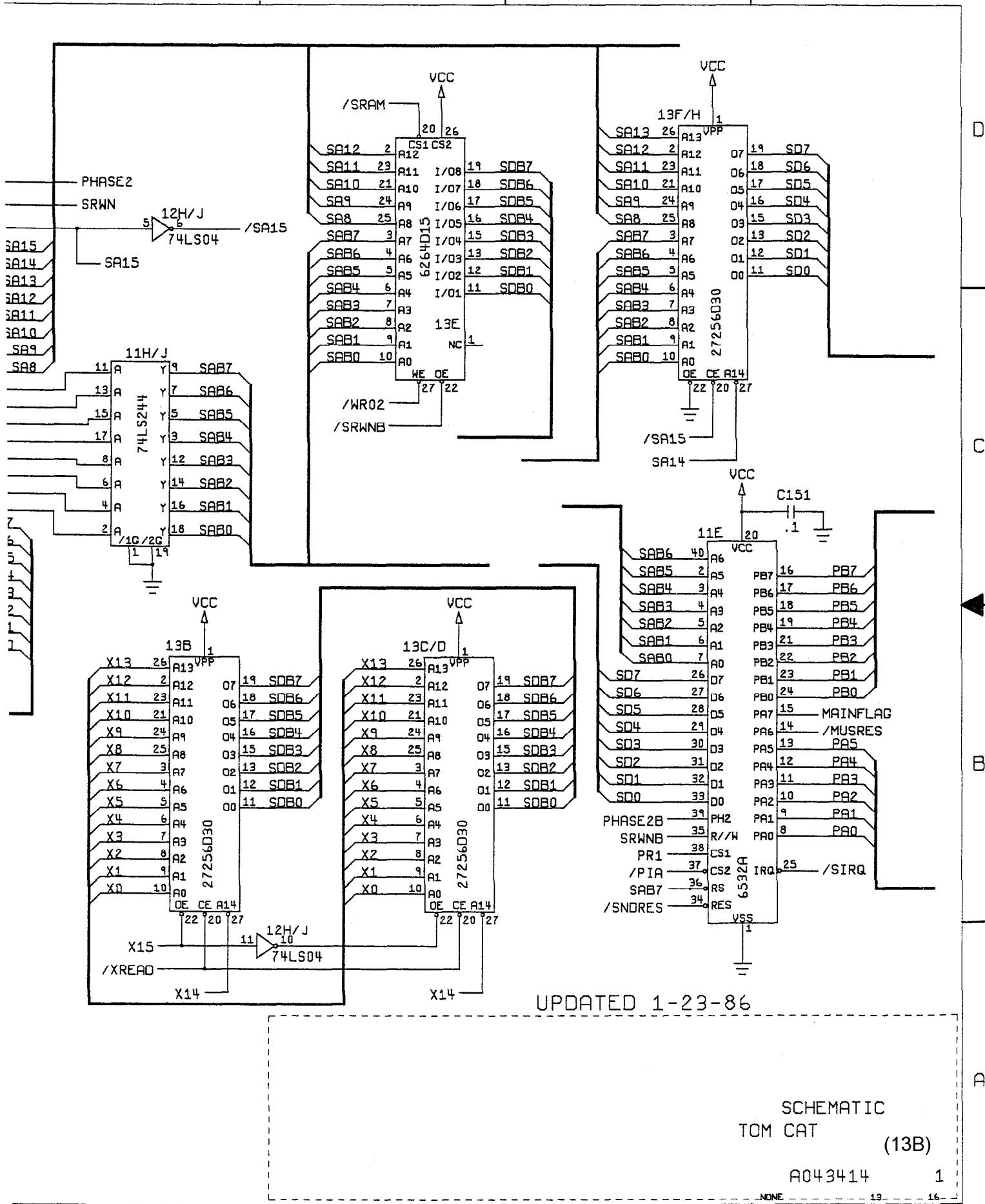
A043414 1

NONE 12 16





(13A)

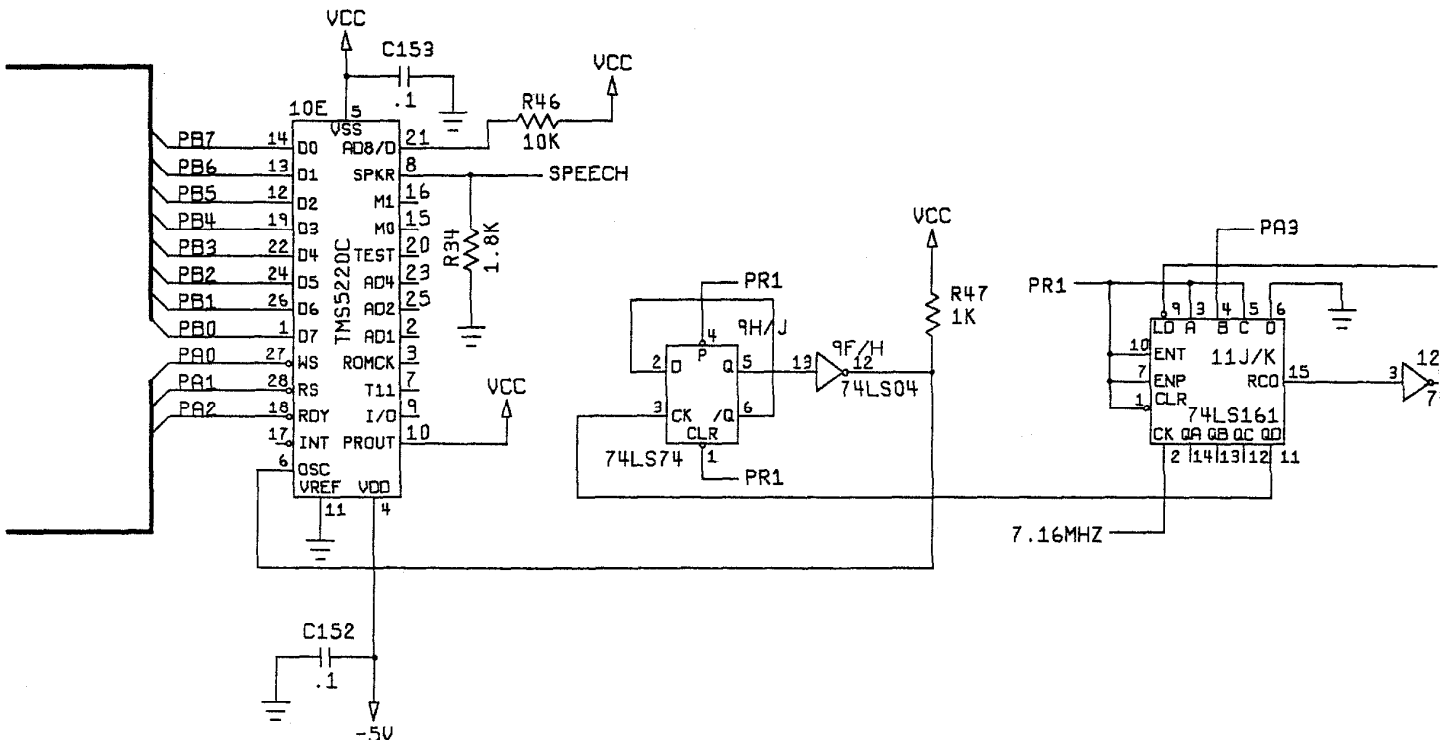
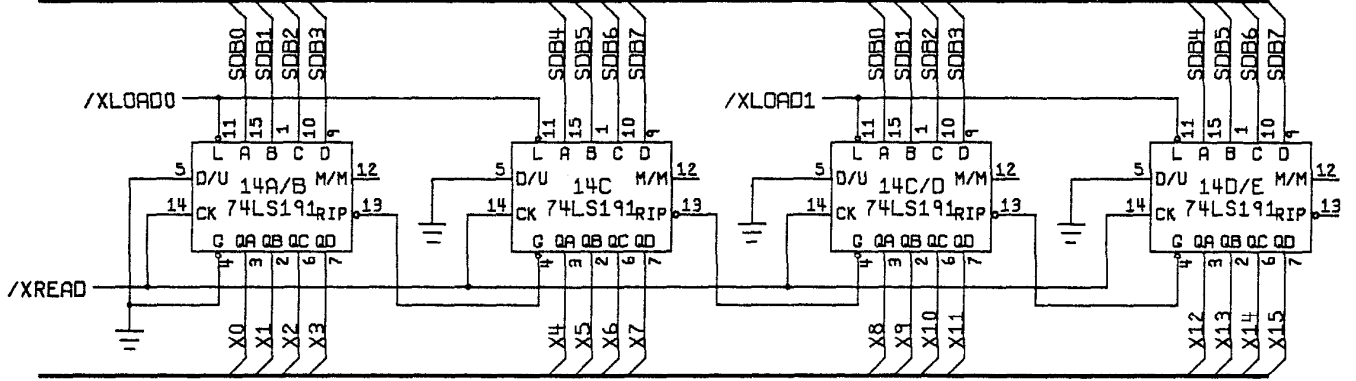
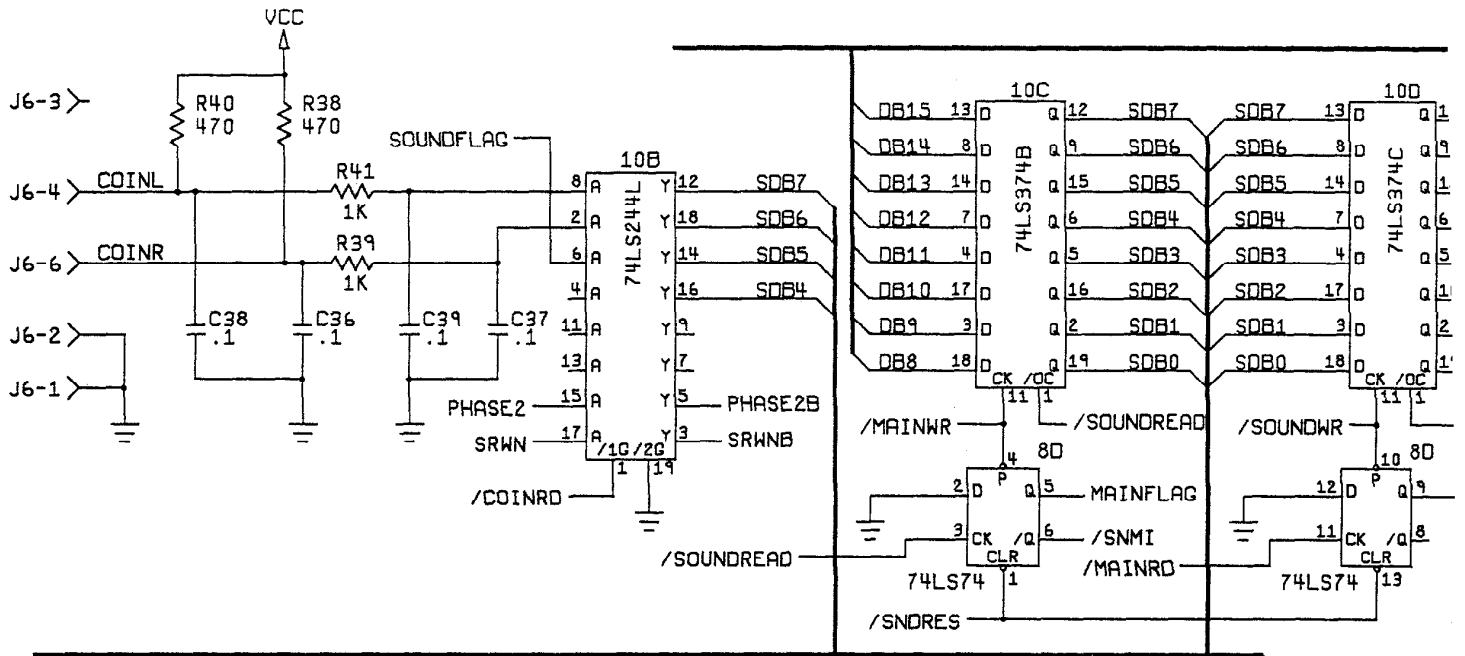


UPDATED 1-23-86

SCHMATIC  
TOM CAT  
(13B)

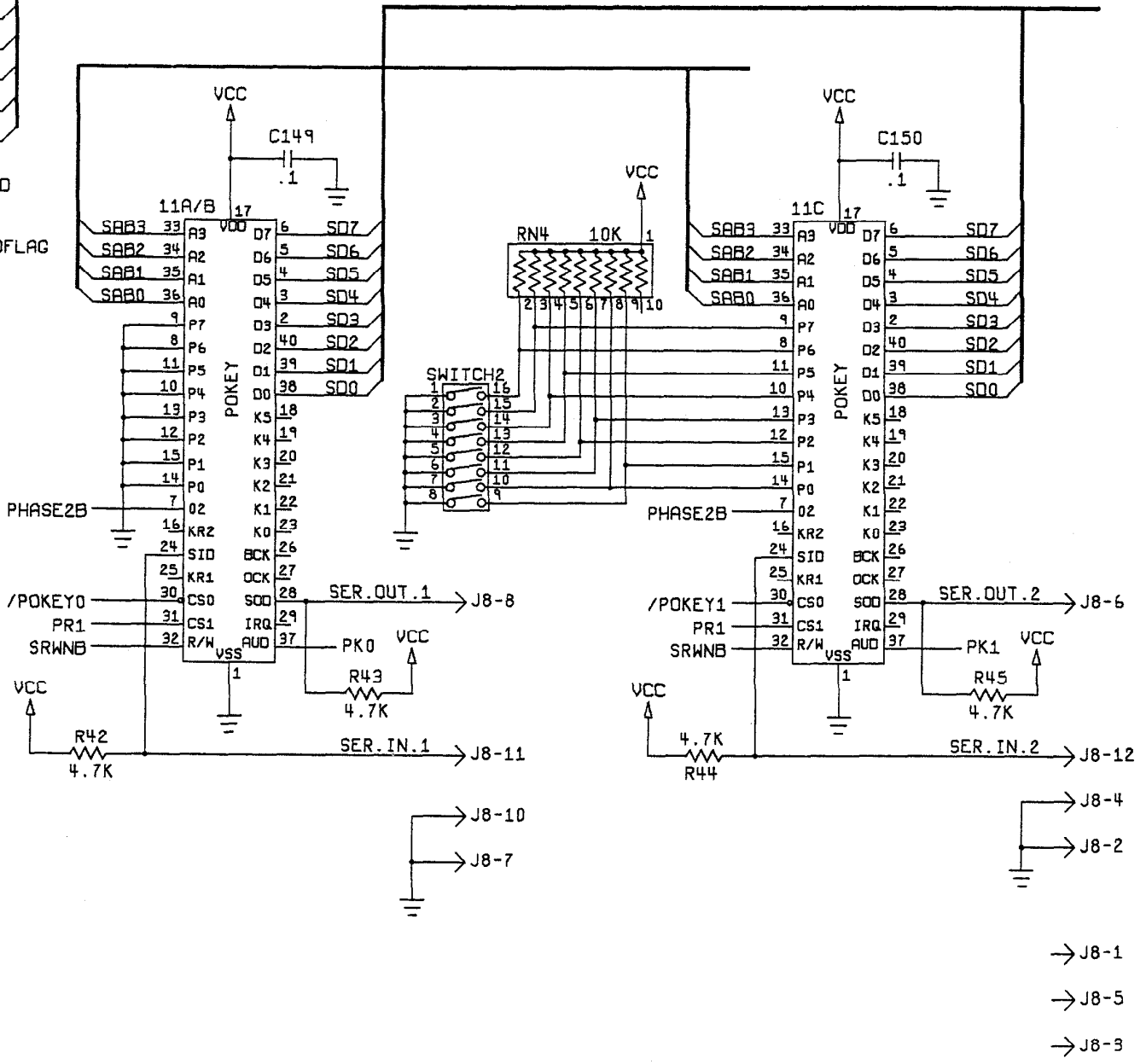
A043414 1

NONE 13 16



(14A)

12	DB15
9	DB14
15	DB13
6	DB12
5	DB11
16	DB10
2	DB9
19	DB8



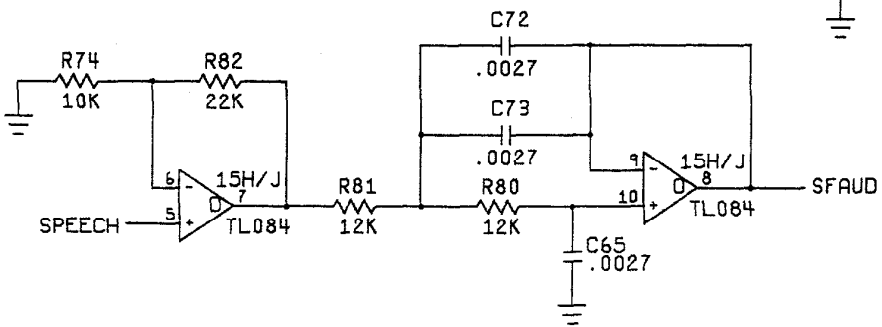
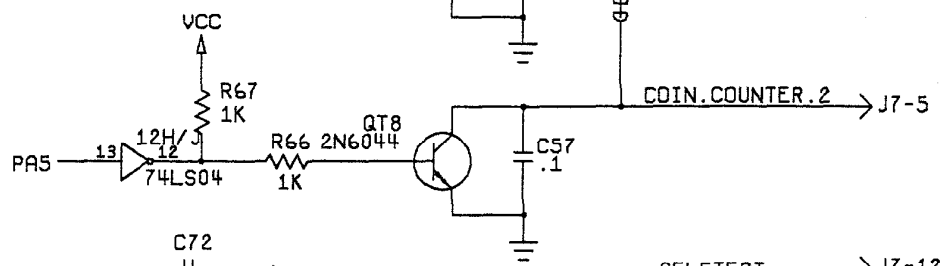
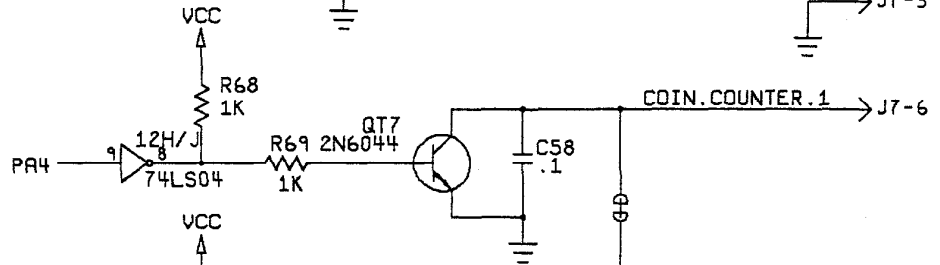
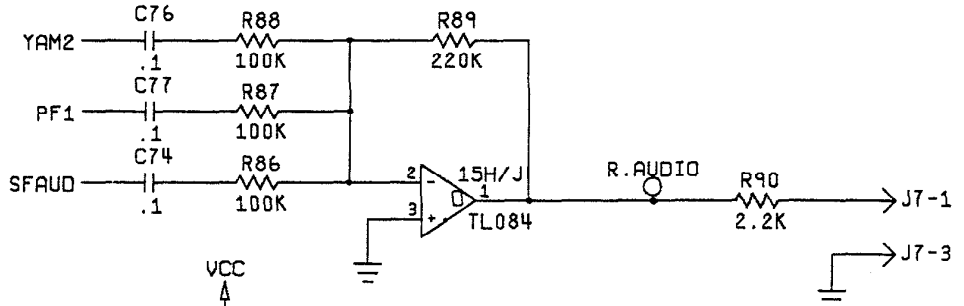
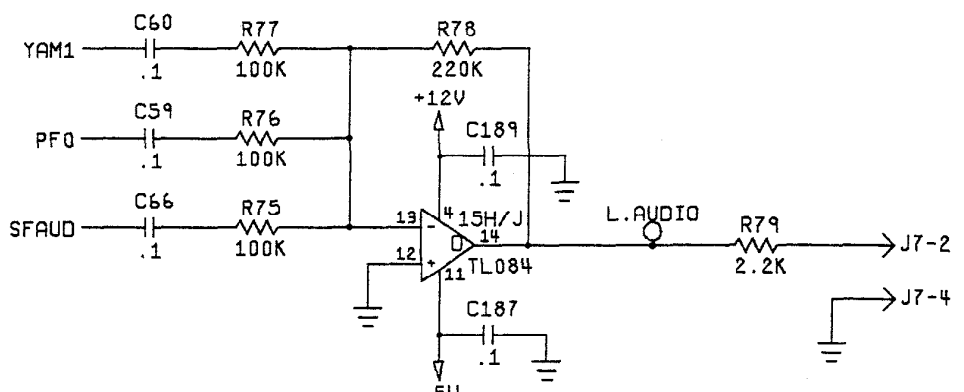
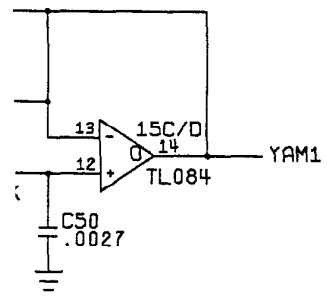
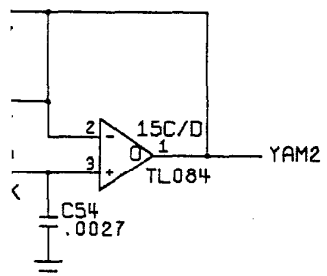
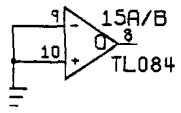
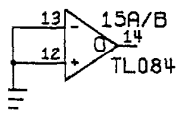
UPDATED 1-23-86

SCHMATIC  
TOM CAT  
(14B)

A043414 1

NONE 14 16





- COIN. COUNTER. 1 → J7-6
- COIN. COUNTER. 2 → J7-5
- SELFTEST → J7-12
- J7-19
- J7-10
- J7-8
- J7-7

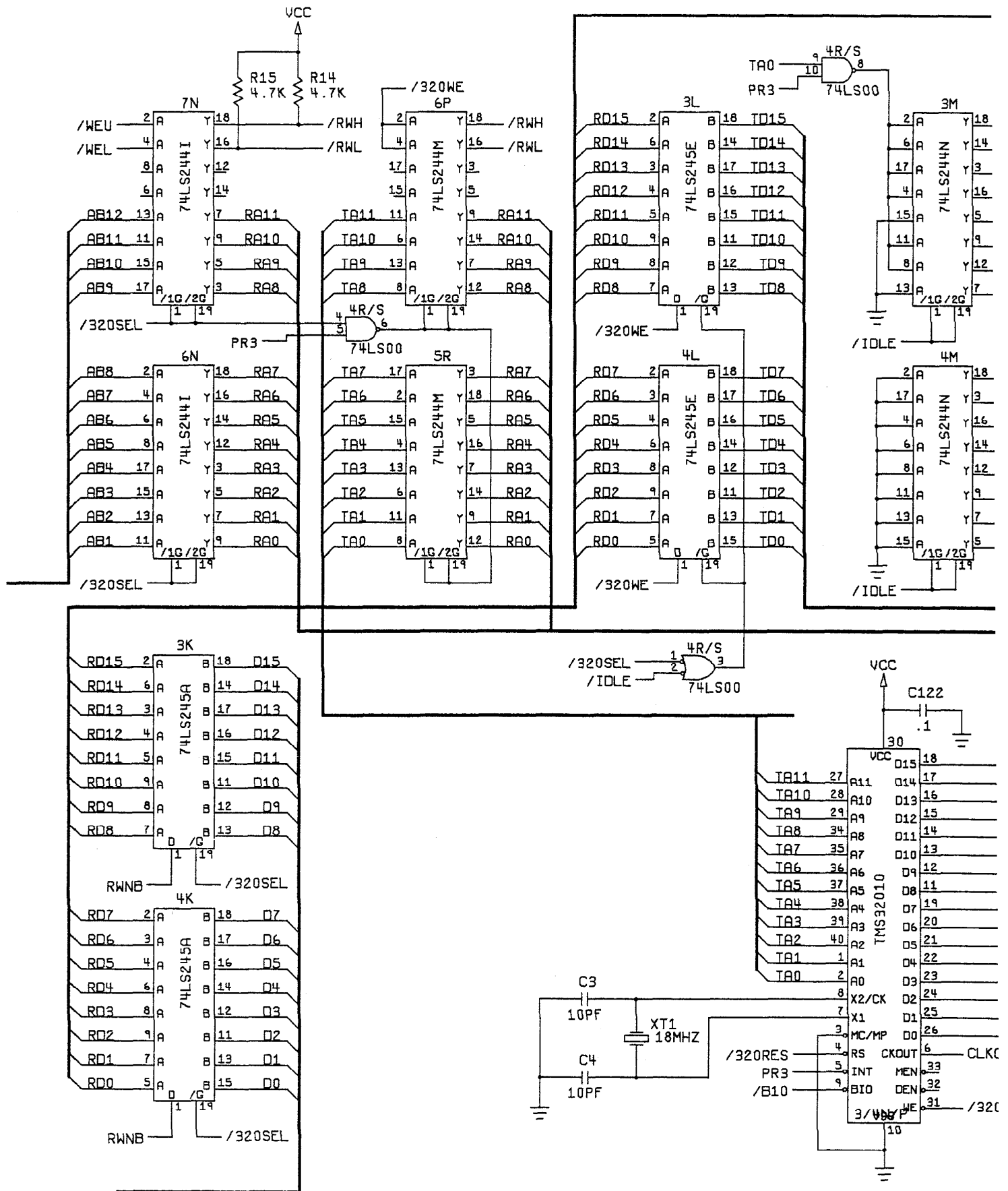
UPDATED 1-23-86

SCHEMATIC  
 TOM CAT  
 (15B)  
 A043414 1

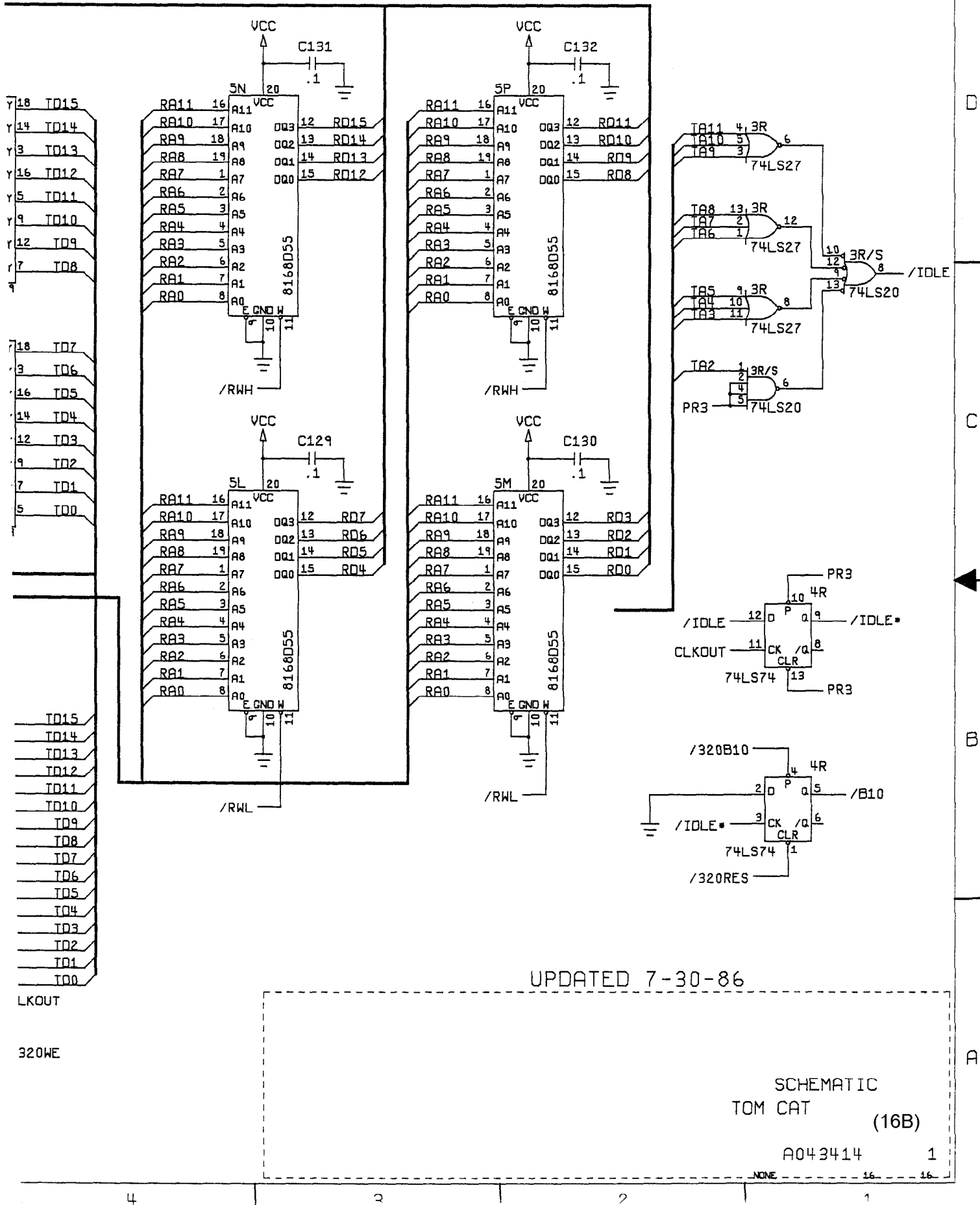
- PF1

- PF0





(16A)



UPDATED 7-30-86

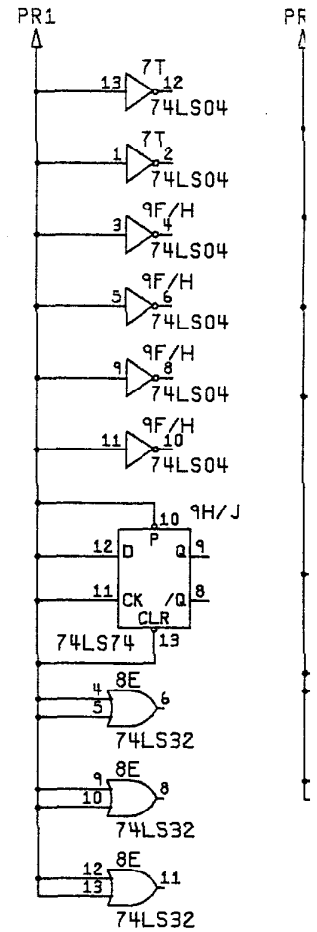
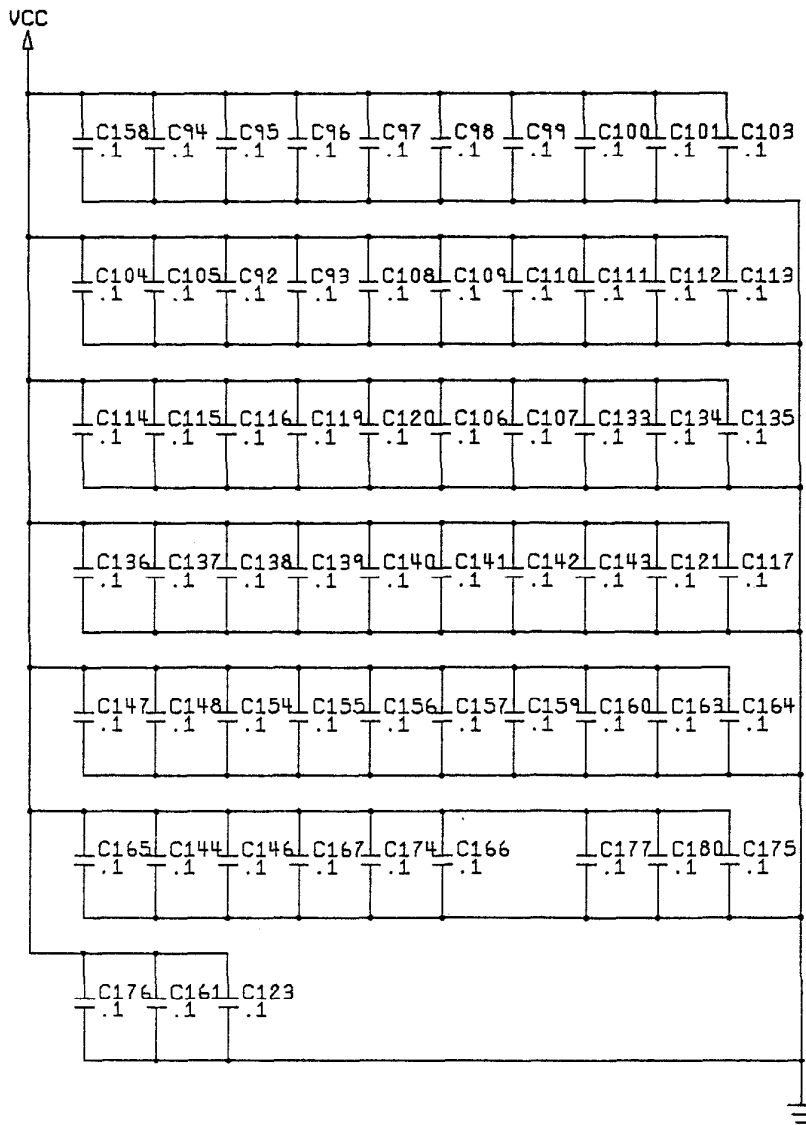
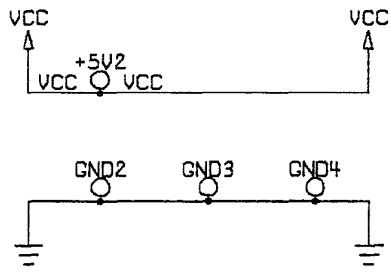
SCHEMATIC  
TOM CAT (16B)

A043414 1

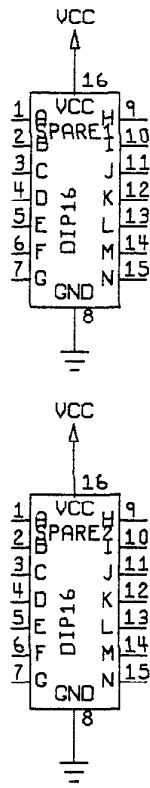
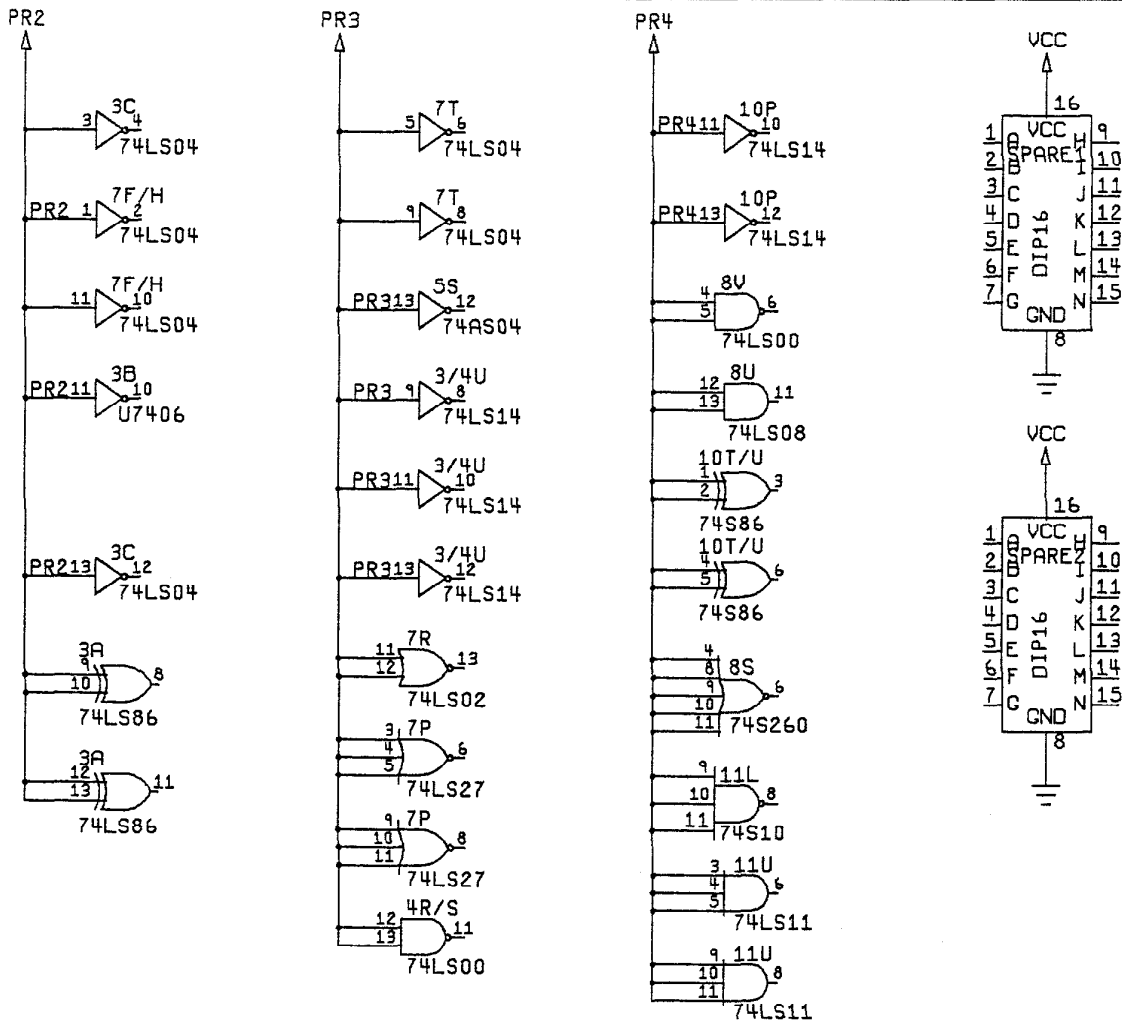
NONE 16 16

4 3 2 1





(17A)



UPDATED 7-31-86

SCHEMATIC  
TOM CAT (17B)

A043414

1

NONE 17- 16