

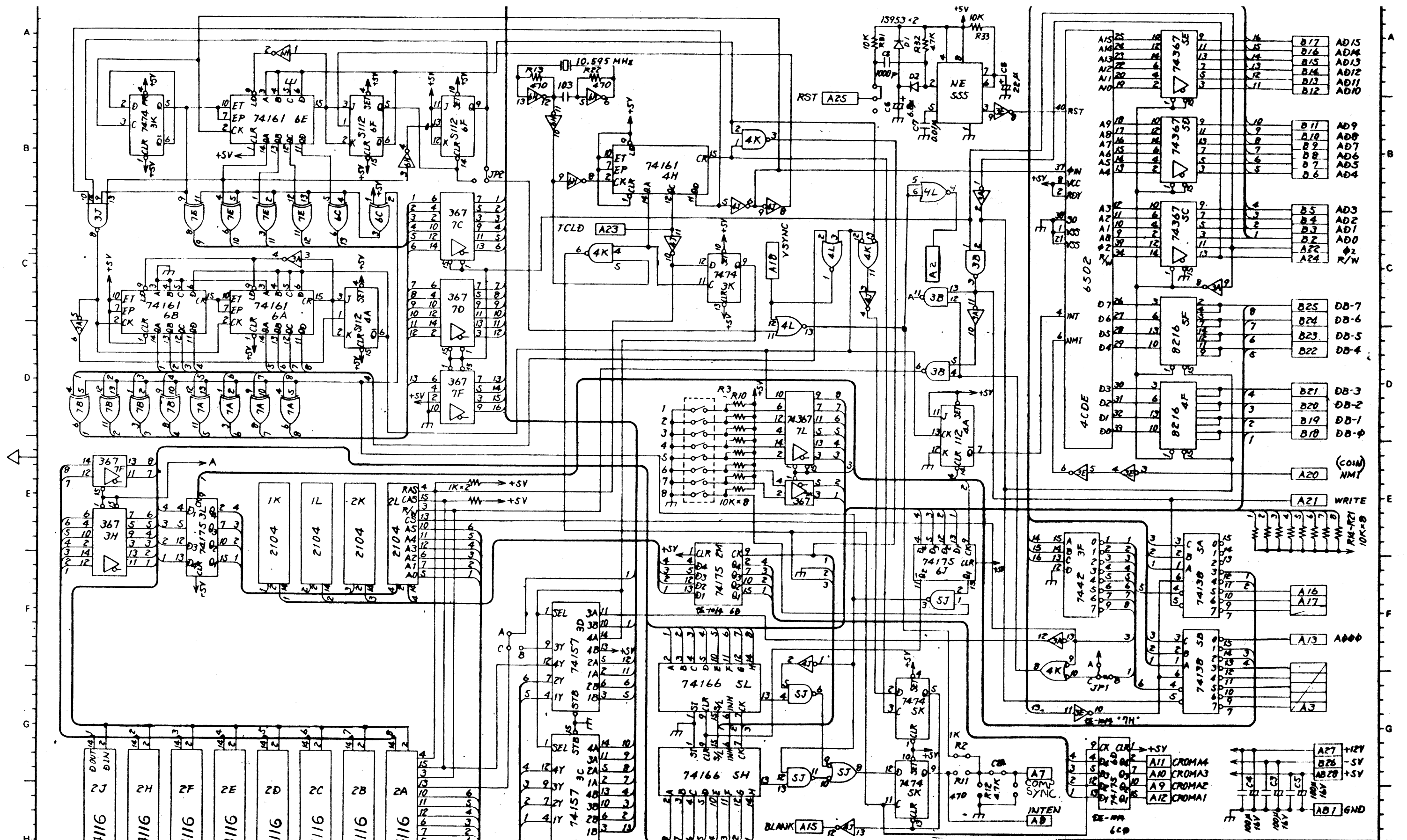
- 1) NPN TRANSISTOR (2 SC 945)
- 2) DIODE (1S 953)
- 3) CAPACITOR

A: Aluminum electrolysis C: Ceramic M: Film Capacitor T: Tantalum

ELECTRO-SPORT

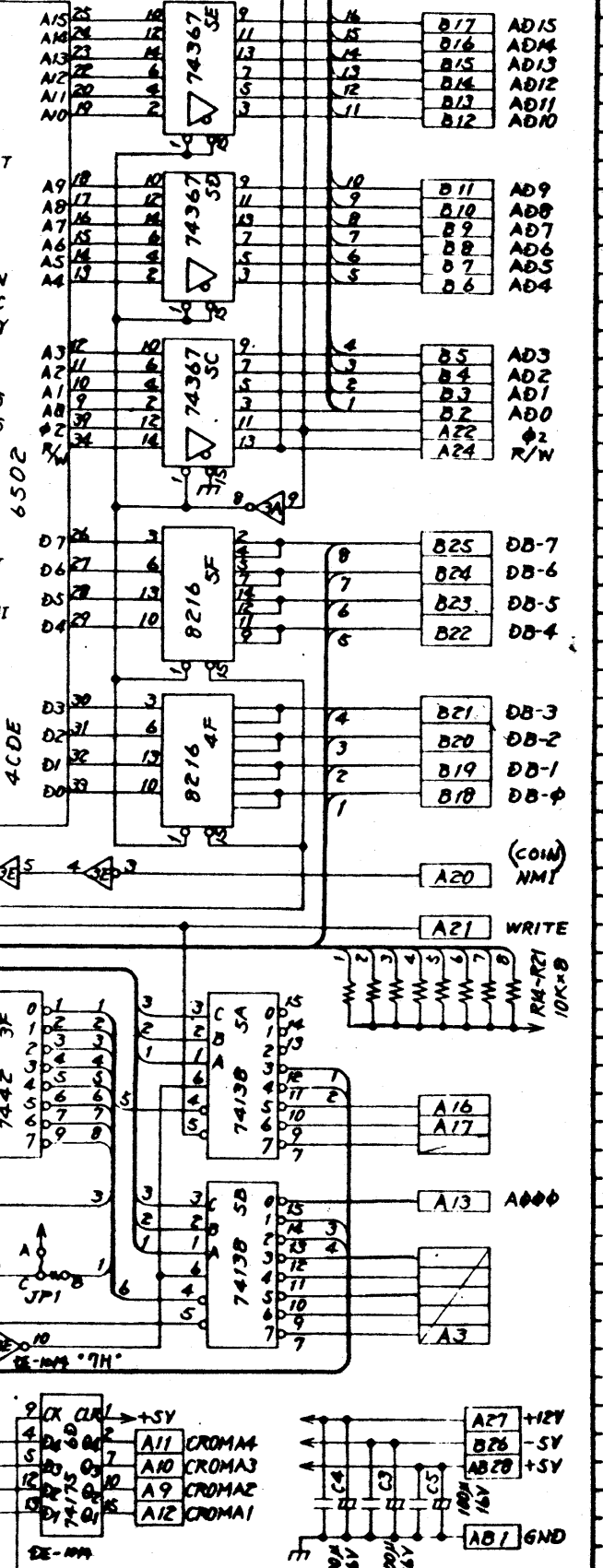
AUDIO BOARD TOMAHAWK

93-324

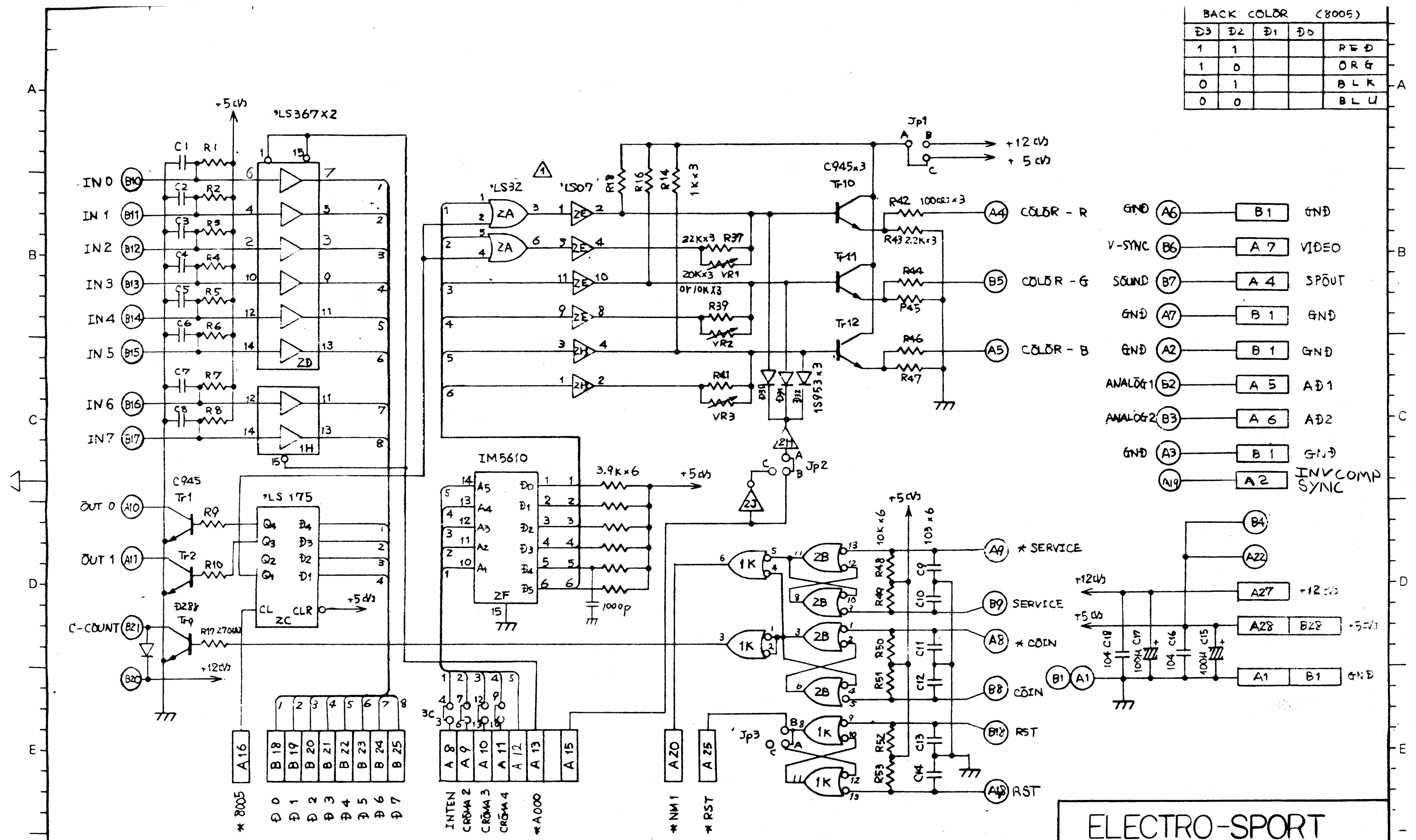


ELECTRO-SPORT
CPU BOARD
TOMAHAWK

93-325



BACK COLOR (8005)				
D3	D2	D1	D0	
1	1			RED
1	0			OR G
0	1			BLK
0	0			BLU



ELECTRO-SPORT
 I/O BOARD
 TOMAHAWK
 93-326

