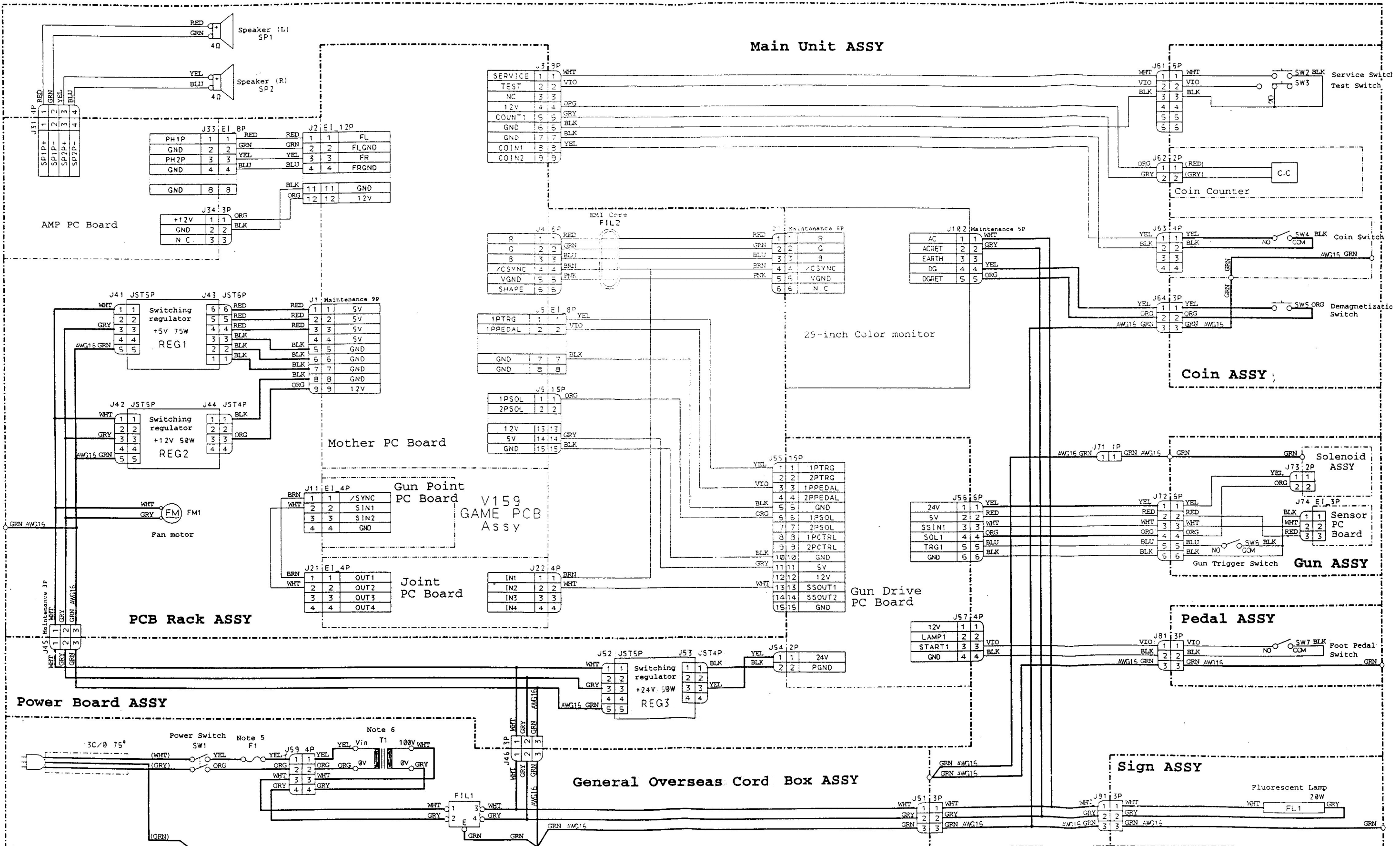


TIME CRISIS I

11. WIRING DIAGRAM



- Note 1 Use a mini-universal maintenance lock connector as an unspecified connector.
 Note 2 Use AWG 18 for unspecified thick wires, AWG 24 for thin wires.
 Note 3 Lines enclosed by parentheses stand for accessory wires. Colors are for reference.
 Note 4 Use fuses rated at 4 A for a 100-120 V power supply, 3 A for 200-240 V.
 Note 5 Connect input Vin to transformer T1 according to the power supply voltage.