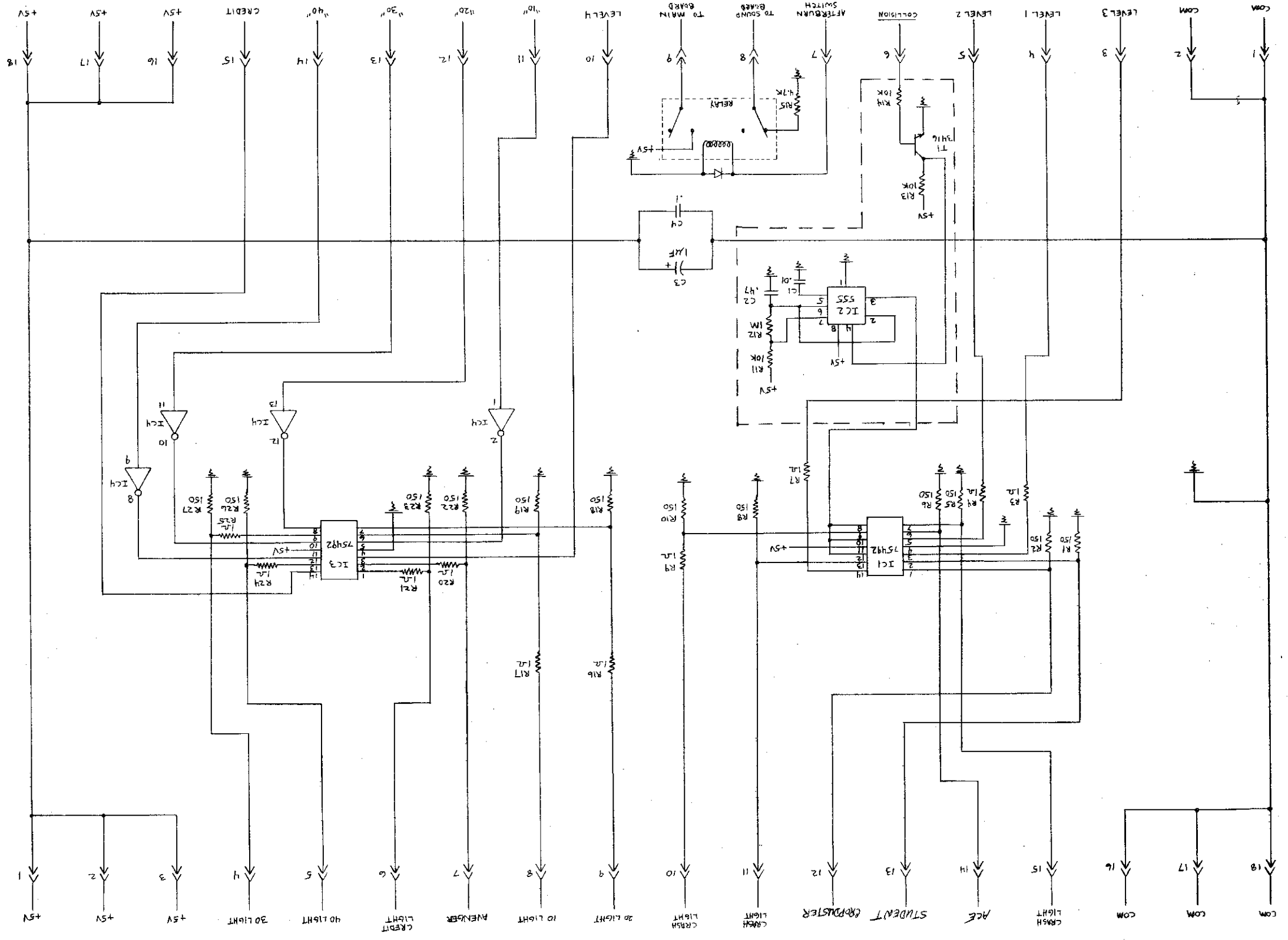




RELEASSED FOR PRODUCTION  
 9/1/75 K.P.F.  
 2 LIGHT NOTE  
 10/1/75 K.P.F.



TOP

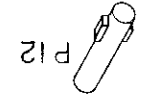
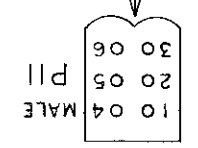
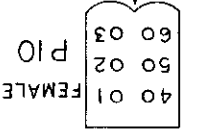
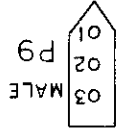
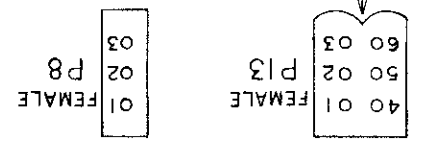
BOTTOM

NOTE: CIRCUITRY IN DASHED LINES IS NOT USED ON ALL ASSEMBLIES

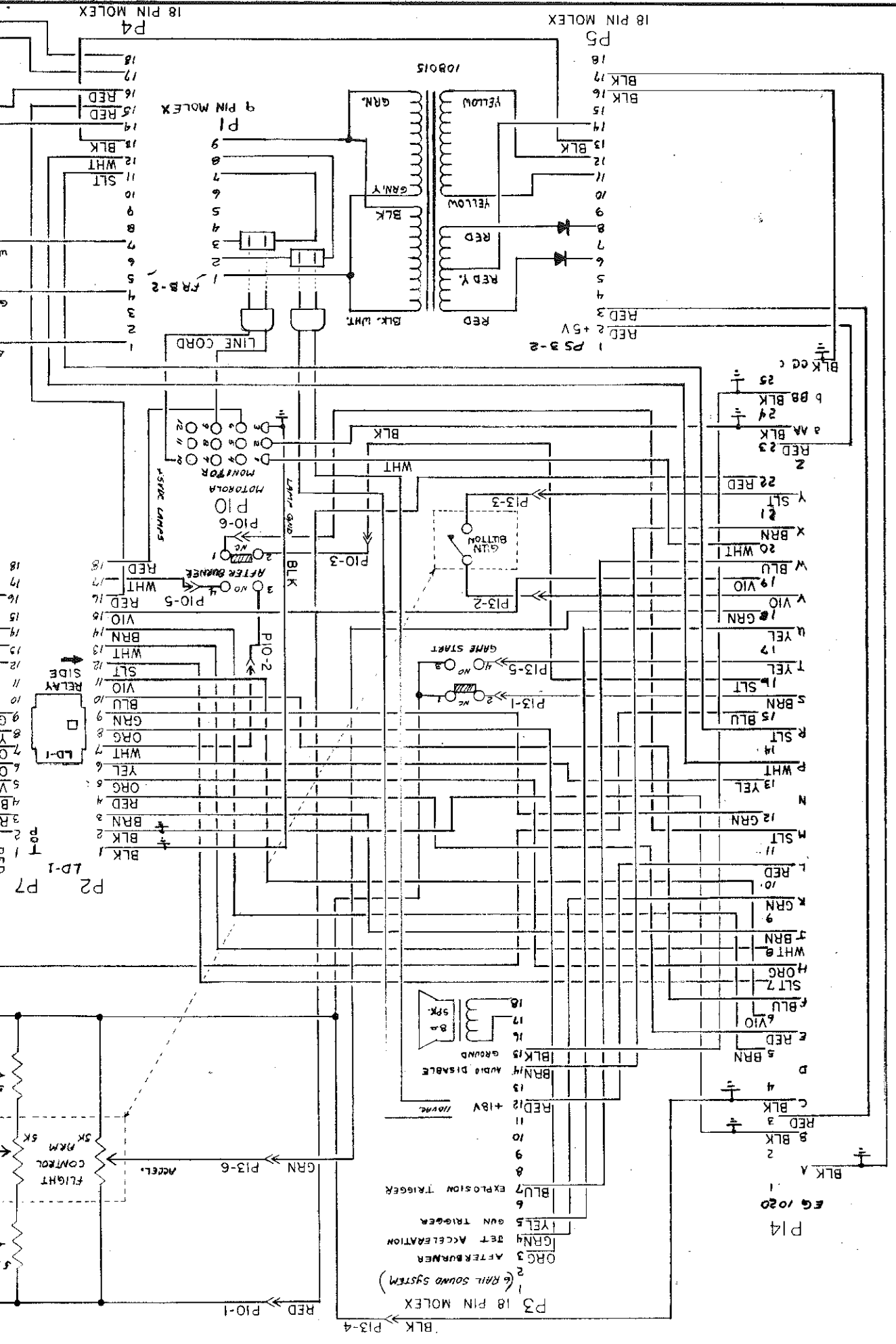
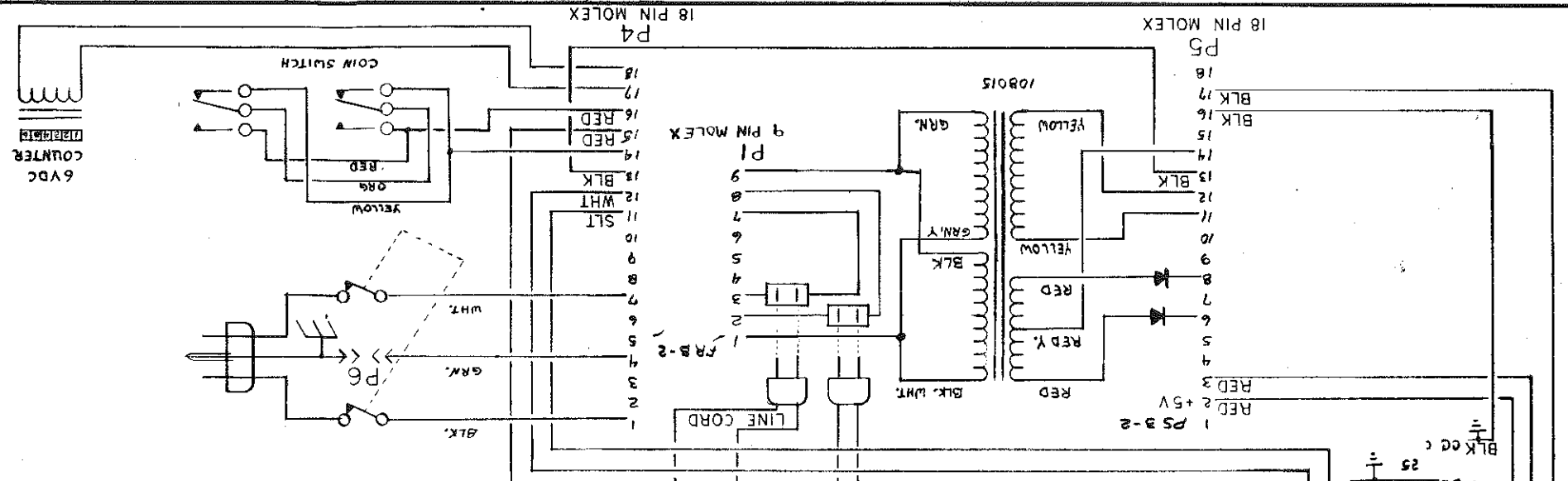
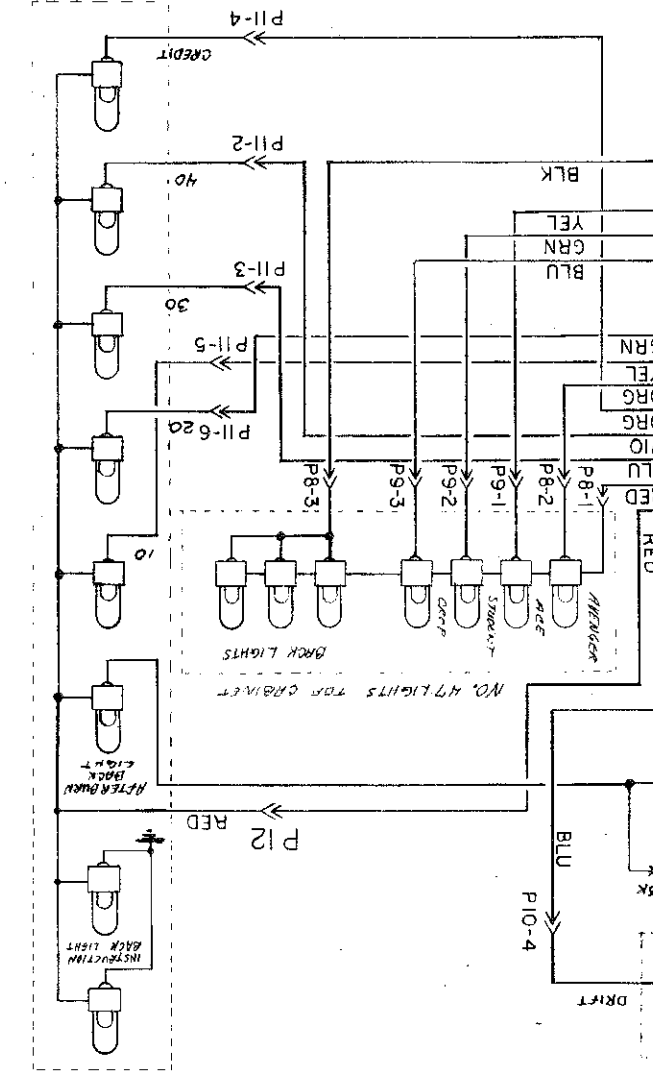


REVISED	

REAR VIEW OF MAIN CABLE CONN.

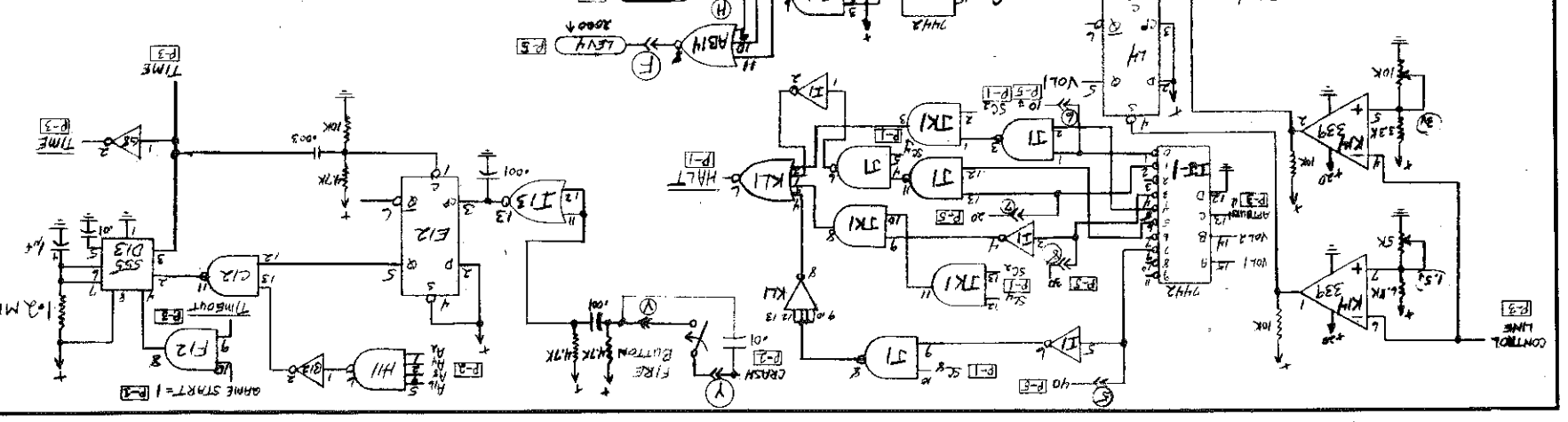
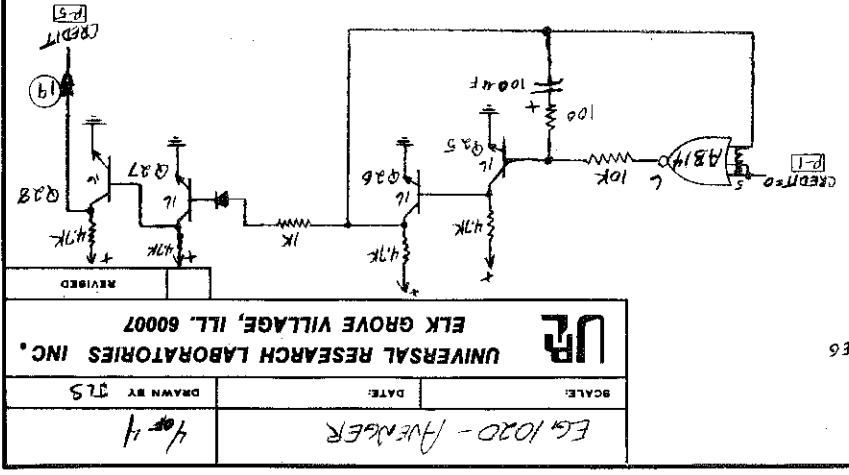


NO. 47 LAMPS ON FRONT PANEL



P14 EG 1020





EG 1020 - AVENGER  
 SCALE: 40x  
 DRAWN BY: JLS  
 UNIVERSAL RESEARCH LABORATORIES INC.  
 ELK GROVE VILLAGE, ILL. 60007  
 REVISED

- 1- NC
- 2- NC
- 3- 5V
- 4- 5V
- 5- FROM PIN 9 OF I-T-1
- 6- FROM PIN 2 OF I-T-1
- 7- FROM PIN 1 OF I-T-1
- 8- FROM PIN 4 OF I-T-1
- 9- NC
- 10- NC
- 11- NC
- 12- ACCEL LINE
- 13- COLLISION FROM PIN 10 OF I12
- 14- CRASH FROM PIN 12 OF G14
- 15- TO STEERING POT.
- 16- 18V OUT FROM PINS OF T2
- 17- TO ACC POT
- 18- CREDIT LIGHT FROM COLLECTOR OF Q28
- 19- DC VIDEO
- 20- NC
- 21- NC
- 22- 5V
- 23- 5V
- 24- NC
- 25- NC
- 4- GND
- 5- GND
- 6- GND
- 7- GND
- 8- GND
- 9- AA. GND
- 10- Z. NC
- 11- X. GUN BUTTON
- 12- W. CRASH TRIGGER - SOUND SYSTEM
- 13- V. GUN BUTTON
- 14- U. GUN TRIGGER - SOUND SYSTEM
- 15- T. START
- 16- S. START
- 17- R. COIN
- 18- P. COIN
- 19- N. STATIC DISCHARGE INPUT
- 20- M. 18V OUT
- 21- L. 18V IN
- 22- K. MOTOR ACC - SOUND SYSTEM
- 23- J. FROM C12 PIN 3
- 24- H. FROM B13 PIN 6
- 25- F. FROM AB14 PIN 8
- 26- E. FROM B13 PIN 14
- 27- D- NC
- 28- GND
- 29- GND
- 30- GND
- 31- CC. GND



