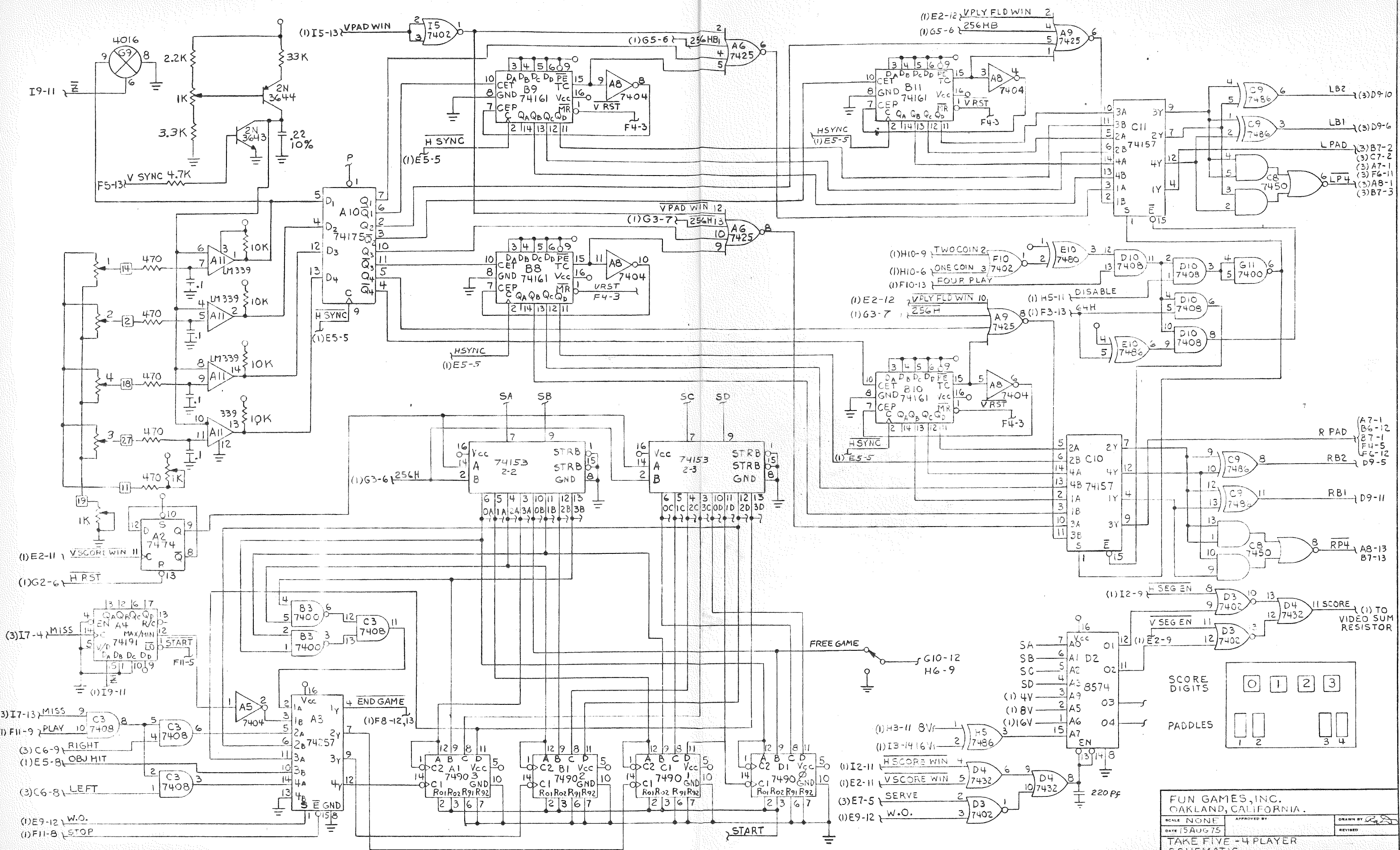


NOTES:
 ♀ INDICATES DIRECT CONNECTION TO +5V
 ♂ INDICATES CONNECTION TO +5V THRU 1K RESISTOR
 () SHEET OF DRAWING WHERE ORIGINATES/USED - OMITTED IF ON SAME SHEET
 [] FOR 50/60 HZ, SEE SUPPLEMENT DWG.

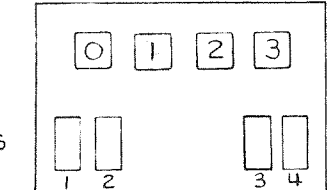
FUN GAMES, INC.
 OAKLAND, CALIFORNIA

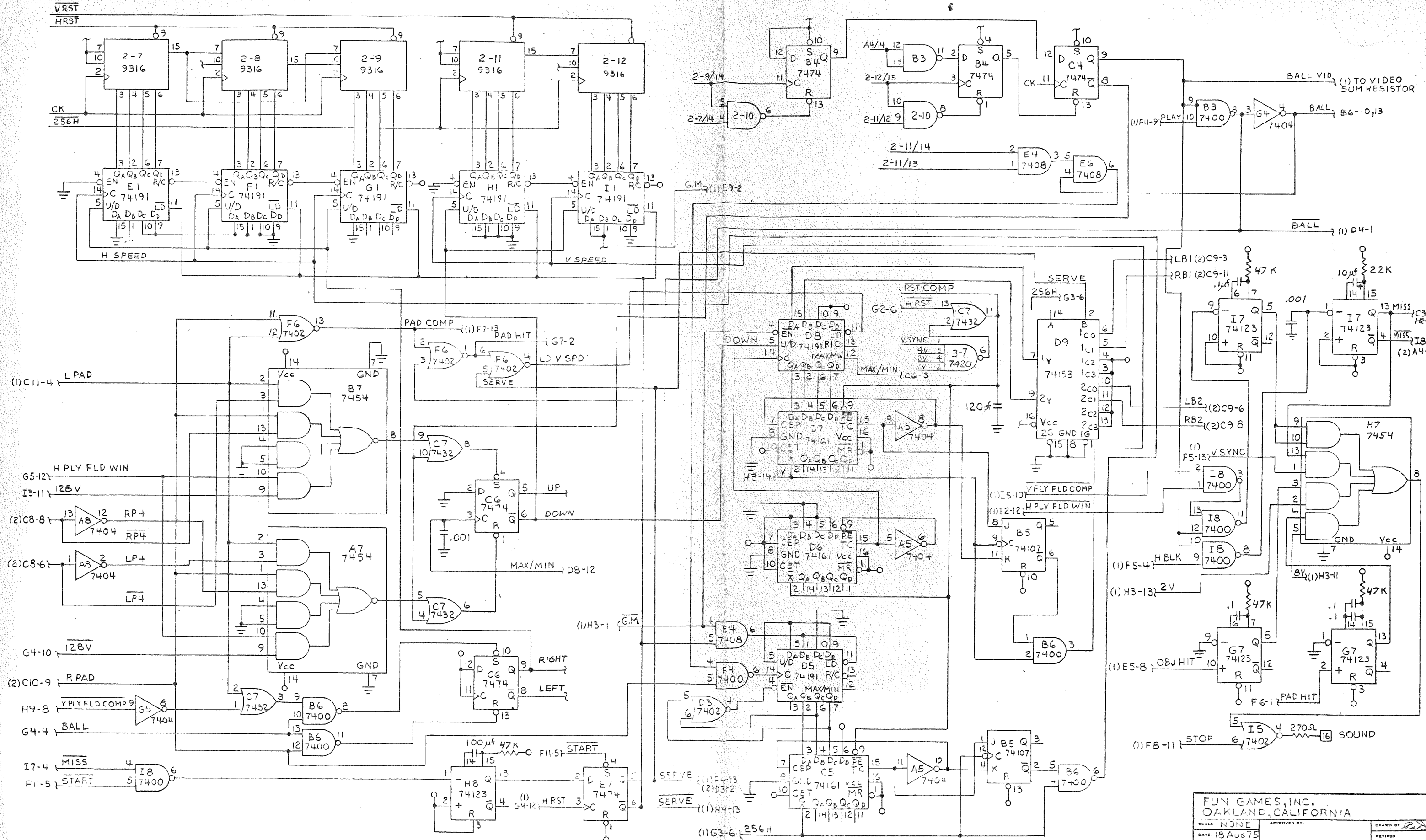
| | | |
|-----------------------------------|--------------|-----------------|
| SCALE NONE | APPROVED BY: | DRAWN BY: |
| DATE 12 AUG 75 | REVIEWED: | |
| TAKE FIVE - FOUR PLAYER SCHEMATIC | | |
| SHEET 1 OF 3 REV E | | DRAWING NUMBER: |



FUN GAMES, INC.
 OAKLAND, CALIFORNIA.

| | | |
|--------------------------------|-------------|----------------|
| SCALE NONE | APPROVED BY | DRAWN BY |
| DATE 15AUG75 | | REVISED |
| TAKE FIVE - 4 PLAYER SCHEMATIC | | |
| SHEET 2 OF 3 | REV E | DRAWING NUMBER |





FUN GAMES, INC.
 OAKLAND, CALIFORNIA
 SCALE: NONE APPROVED BY: [Signature]
 DATE: 18 Aug 75 REVISED: [Signature]
 TAKE FIVE - 4 PLAYER SCHEMATIC
 SHEET 3 OF 3 REVE DRAWING NUMBER: [Blank]