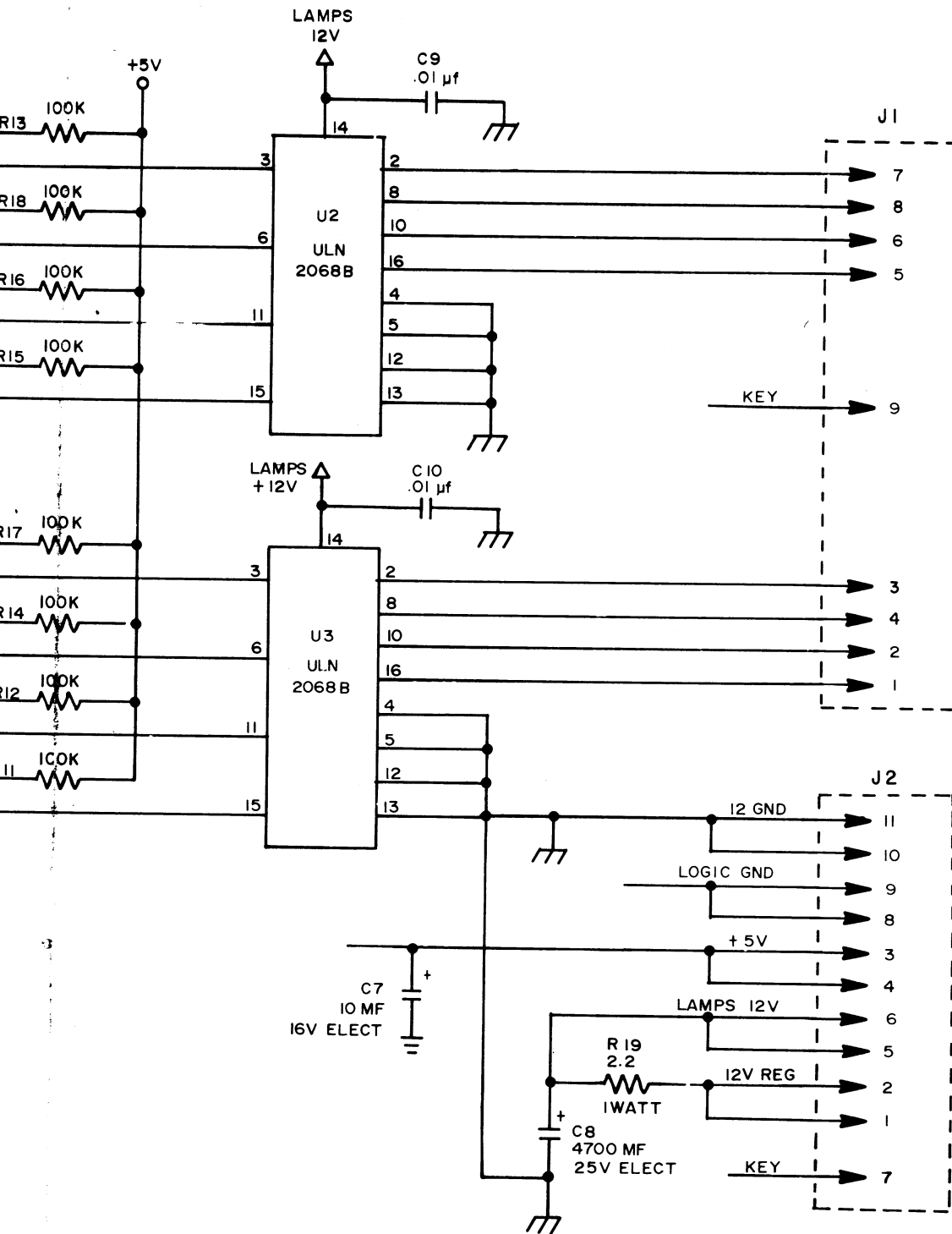


PROJECT ENG: J. BO	
DO NOT SCALE D.V.	
DIM TOLERANCES UNLESS SPECIFIED	DWG.
CONCENTRICITY PER ASME	CAD.
FRACTIONAL 1/16	
DECIMAL .001	
HOLE DIA .002 .000	

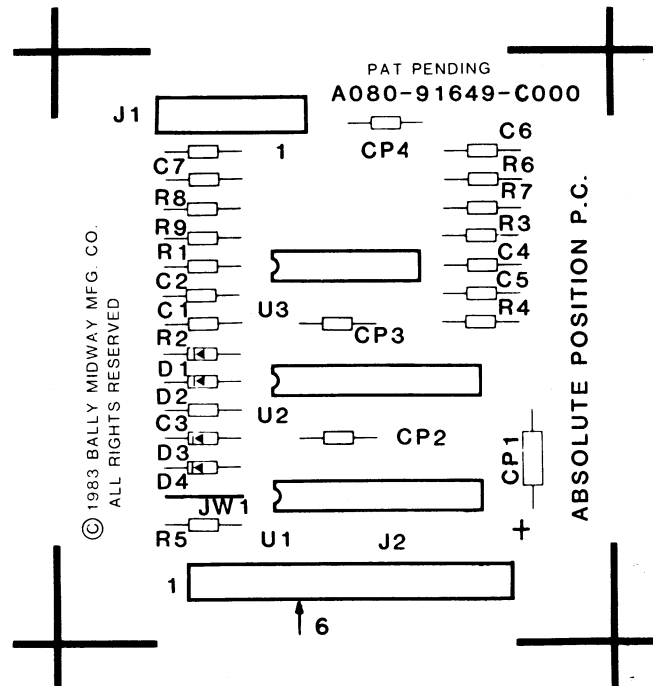


REVISIONS	

DESIGN: J. BOYDSTON		USED ON		REVISIONS	
DO NOT SCALE DWG		SCALE FULL		NO. REQ'D 1 PER	
TOLERANCES UNLESS SPECIFIED		MATERIAL		PART NO.	
DRAWN: <i>llb</i>		FINISH		M051 - 00114 - B095	
CHECKED: J.P.D.		DATE 10/27/83		SCHEMATIC DWG	
DATE 10/27/83		DATE 10/27/83		LAMP DRIVER P.C.	
DATE 10/27/83		DATE 10/27/83		A084 - 91673 - B000	
DATE 10/27/83		DATE 10/27/83		MIDWAY MFG. CO.	
DATE 10/27/83		DATE 10/27/83		FRANKLIN PK. ILL.	

## DESIGNATION LIST

<u>DESIGNATION NO.</u>	<u>DESCRIPTION</u>
C1, C2	0.1 MF 50V AX CER
C3	.01 MF 50V AX CER
C4	.1 MF 50V AX CER
C5	150 PF 50V AX CER
C6, C7	100 PF 50V AX CER
CP1	10 MF 16V AX
CP2-CP4	.01 MF 50V AX CER
R1, R2	1K OHM 1/4W 5%
R3	2K OHM 1/4W 5%
R4	10K OHM 1/4W 5%
R5	4.7K OHM 1/4W 5%
R6	100K OHM 1/4W 5%
R7	10K OHM 1/4W 5%
R8	100K OHM 1/4W 5%
R9	10K OHM 1/4W 5%
D1-D4	1N4148 DIODE
U1	74LS244
U2	ADC0804
U3	4066
J1	.025 SQ AUTO WIRE
J2	.025 SQ AUTO WIRE
JW1	JUMPER WIRE
PCMH1-PCMH4	SPACER #8
PC BOARD	A080-91649-C000



PROJECT ENG: J. BOYDSTON	
DO NOT SCALE	
DRN.	44
CKD.	
DATE	11/11/83

## CROSS REFERENCE LIST

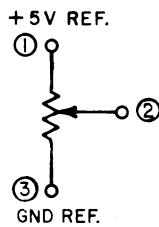
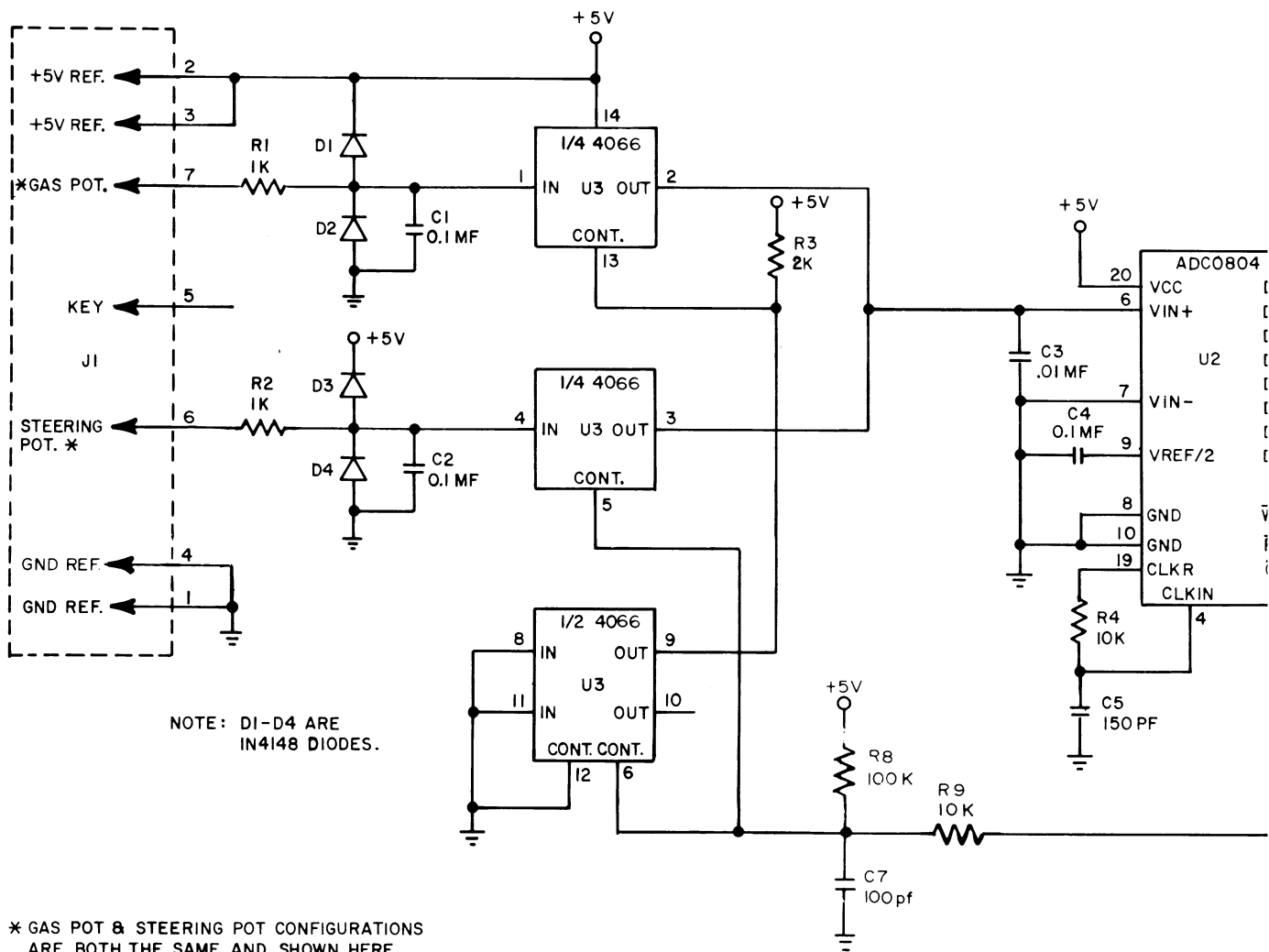
<u>DESCRIPTION</u>	<u>QTY</u>	<u>DESIGNATION NO.</u>	<u>PART NOS.</u>
100 PF 50V AX CER	2	C6, C7	0639-00800-0003
150 PF 50V AX CER	1	C5	0307-00800-0002
.01MF 50V AX CER	4	CP2-CP4, C3	0628-00800-0100
.1 MF 50V AX CER	3	C1, C2, C4	0307-00800-0001
10 MF 16V AX	1	CP1	0628-00800-0300
1K OHM 1/4W 5%	2	R1, R2	
2K OHM 1/4W 5%	1	R3	100E-00005-0061
4.7K OHM 1/4W 5%	1	R5	100E-00005-0068
10K OHM 1/4W 5%	3	R4, R7, R9	100E-00005-0079
100K OHM 1/4W 5%	2	R6, R8	100E-00005-0115
1N4148 DIODE	4	D1-D4	103E-00002-0005
4066	1	U3	0307-00803-0002
74LS244	1	U1	0639-00803-0003
ADC0804	1	U2	0307-00803-0001
.025 SQ AUTO WIRE	21	J1, J2	0017-00033-0479
JUMPER WIRE	1	JW1	0986-00805-0200
SPACER #8	4	PCMH1-PCMH4	0017-00042-0320
P.C. BOARD	1		A080-91649-C000

ABSOLUTE POSITION P.C.

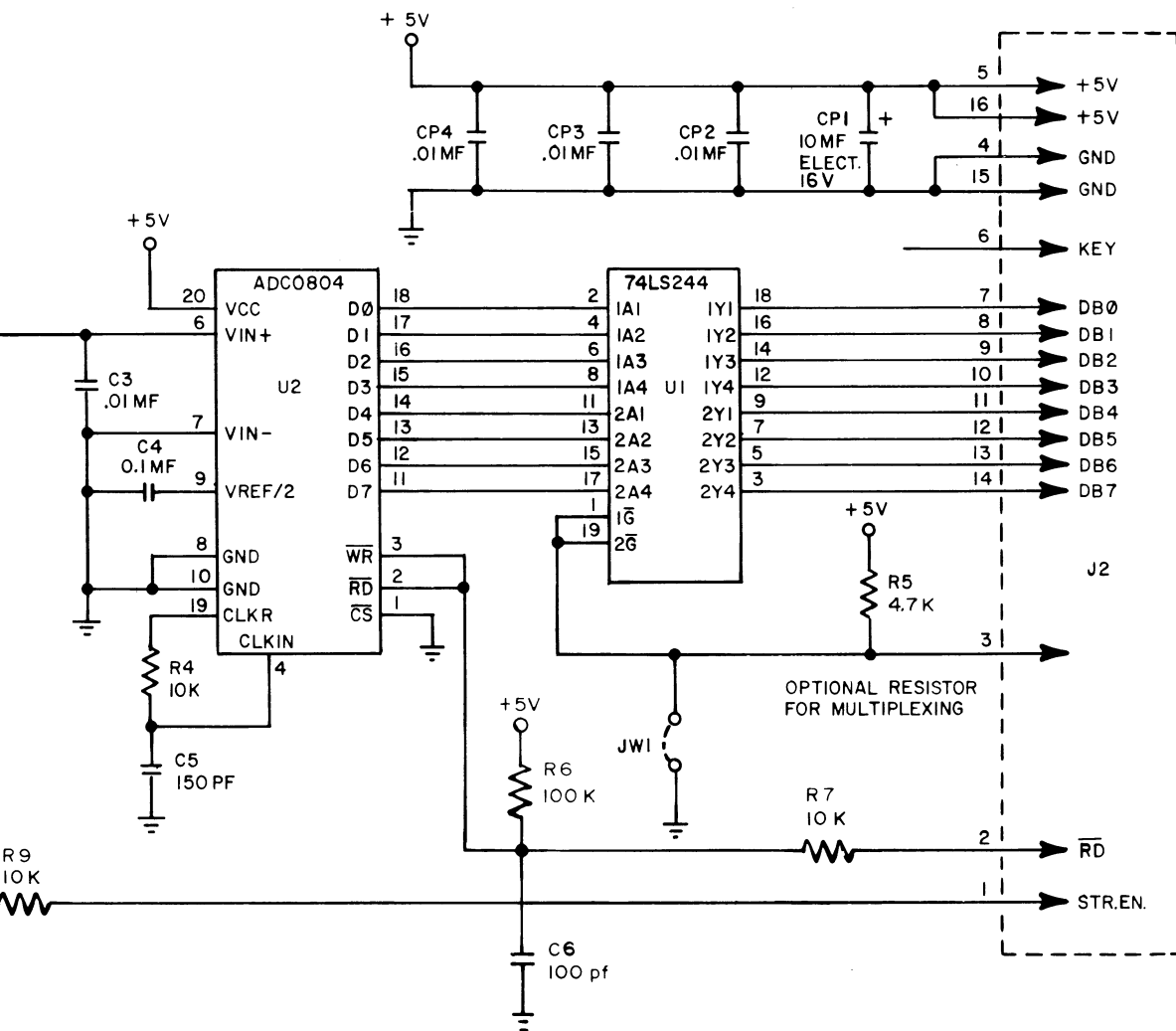
REVISIONS		

TON HEAT TREAT MAY L FINISH	SCALE <b>FULL</b> ASSEMBLY DWG ABSOLUTE POSITION P.C. A080-91649-C000	USED ON DISC OF TRON NO. REQ'D 1 PER PART NO. <b>M051 - 00114 - C084</b>	Bally / MIDWAY MFG. CO. FRANKLIN PK IL
--------------------------------------	---	---	---

11 '83



PROJECT ENG: J. BOYDSTON	
DO NOT SCALE DVS	
DIM TOLERANCES UNLESS SPECIFIED	DRW: RLW
DATE: 10/27/	CKD: [Signature]



NO.	DESCRIPTION	DATE

PROJECT ENG: J. BOYDSTON		USED ON		<b>Bally</b> / MIDWAY MFG. CO. FRANKLIN PK ILL
DO NOT SCALE DWG		HEAT TREAT	SCALE FULL	
DIM TOLERANCES UNLESS SPECIFIED		DRW. <i>RLW</i>	MAT'L.	PART NO M051 - 00114 - C085
DATE 10/27/83		CRD. <i>RLW</i>	FINISH	
SCHEMATIC DWG. ABSOLUTE POSITION P.C. A084-91649-C000				