

Rock-Ola Mfg. Corp.

ROCK-OLA



- Roll wheel into edge to turn cube
- Clear all faces to go to next cube
- Extra bonus after cube 4, 5, 6!
- Avoid egg - it refills face
- Shoot or stack other enemies - they kill
- Score points = cube



1000
Blue Cube

1000
Yellow Cube

1000
Red Cube

1000
Green Cube

1000
Purple Cube



1000
Red Cube

1000
Blue Cube

1000
Yellow Cube

1000
Green Cube

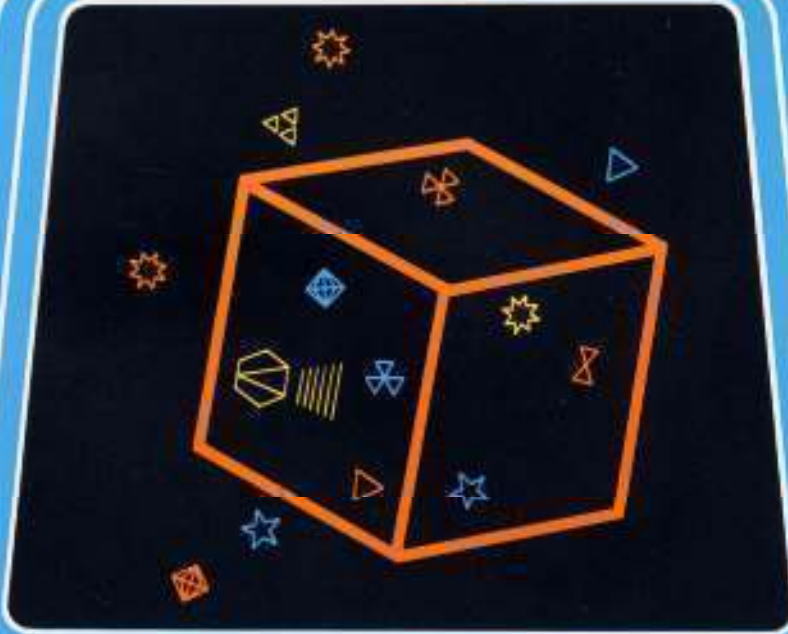
1000
Purple Cube

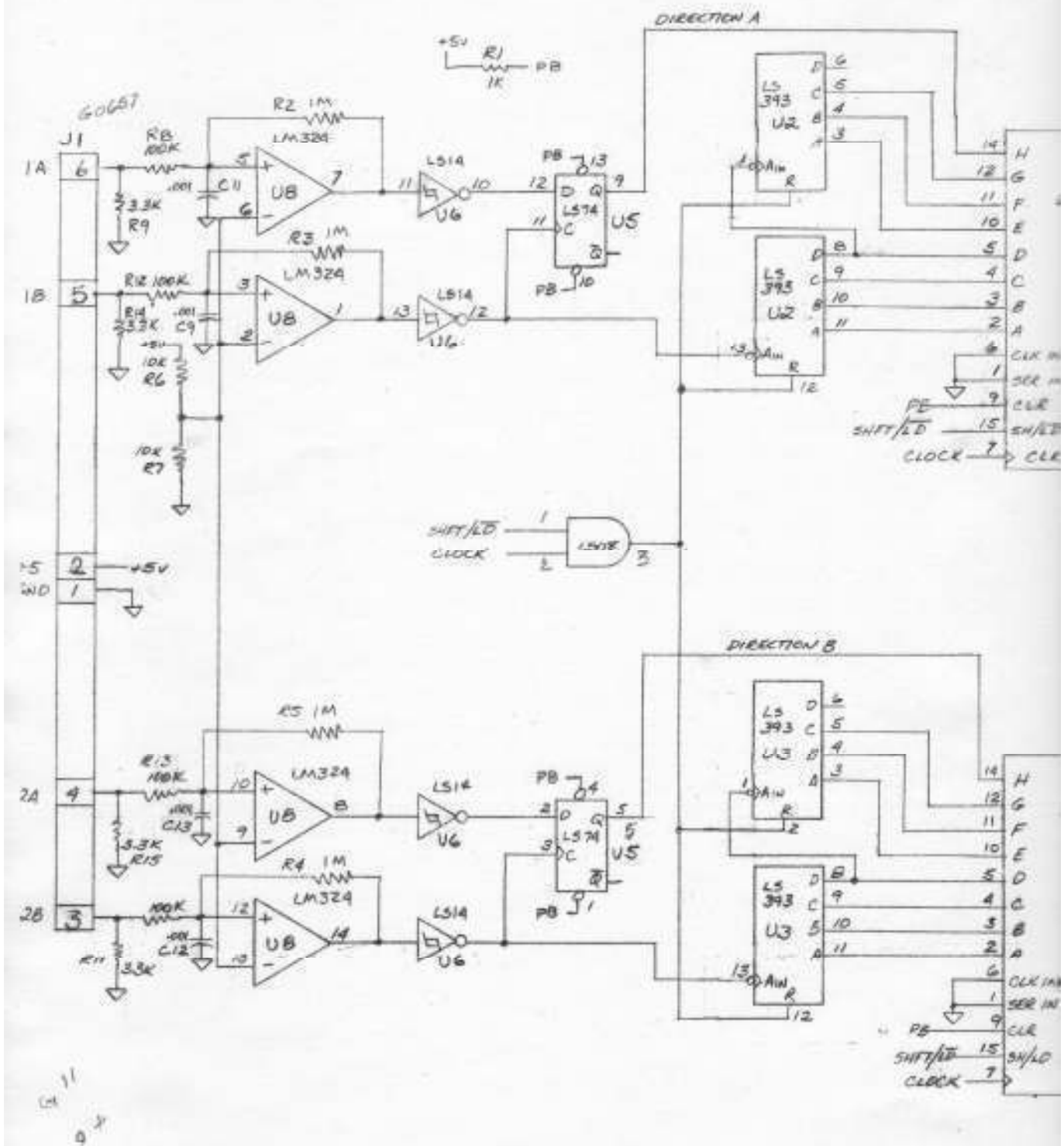
TM

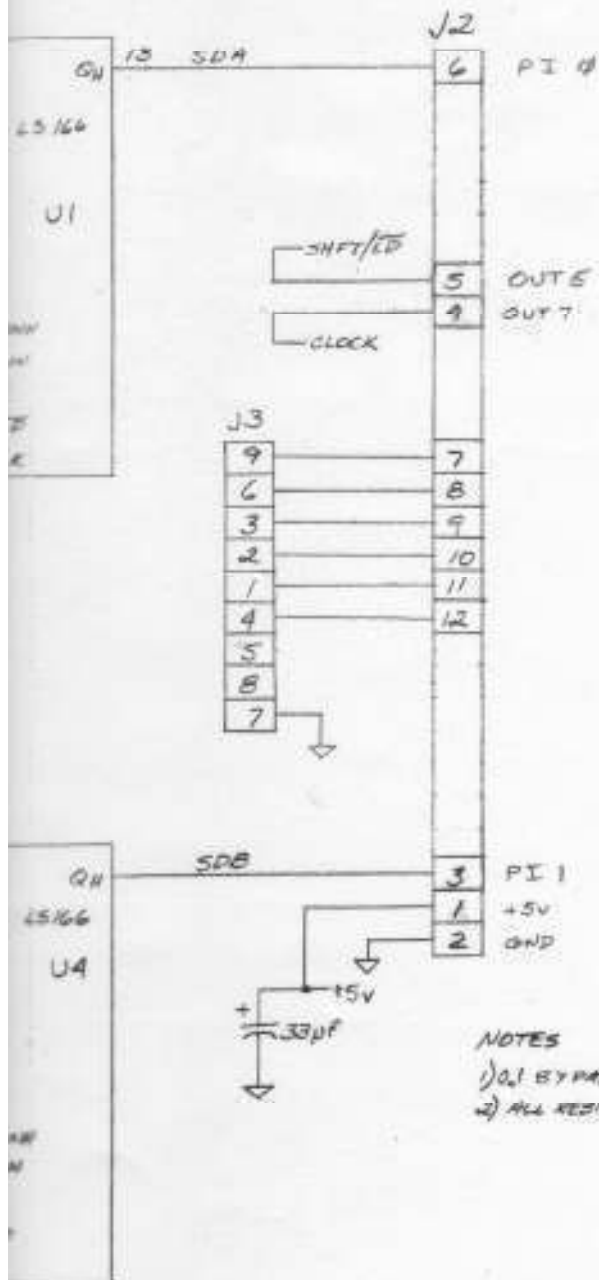


Square Off to a new dimension in video

the fast-pace 3 dimensional cubic challenge!



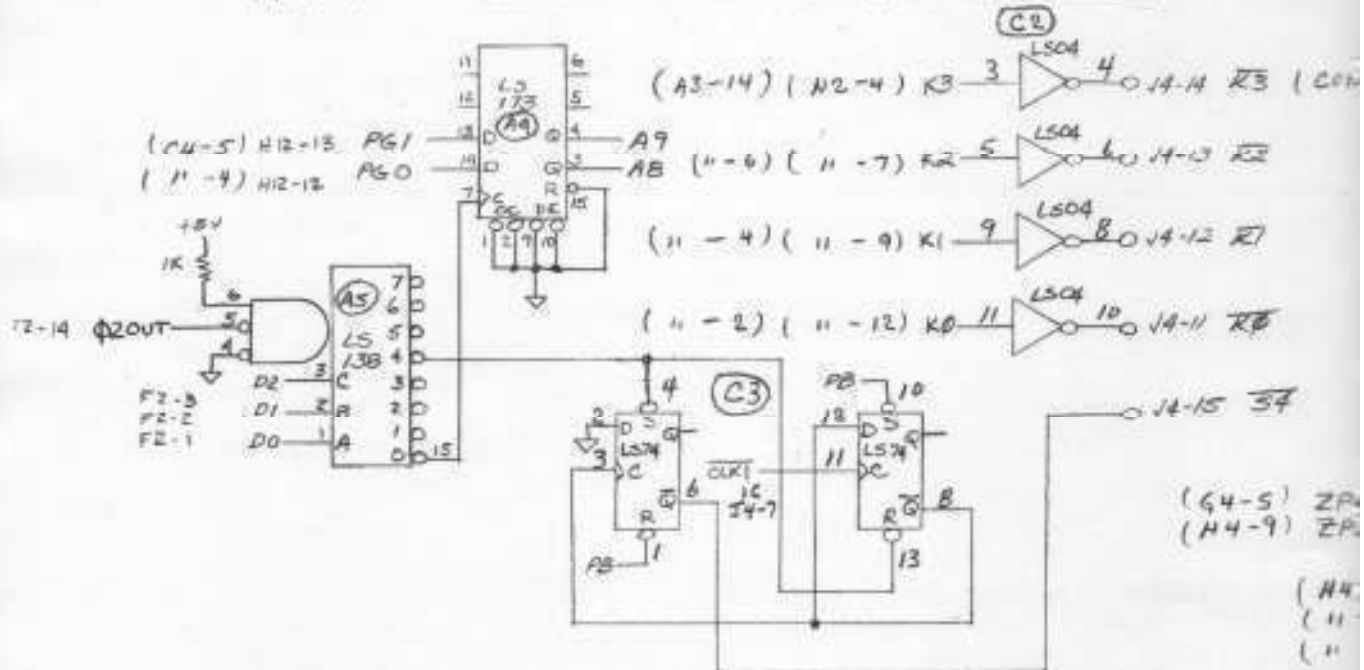
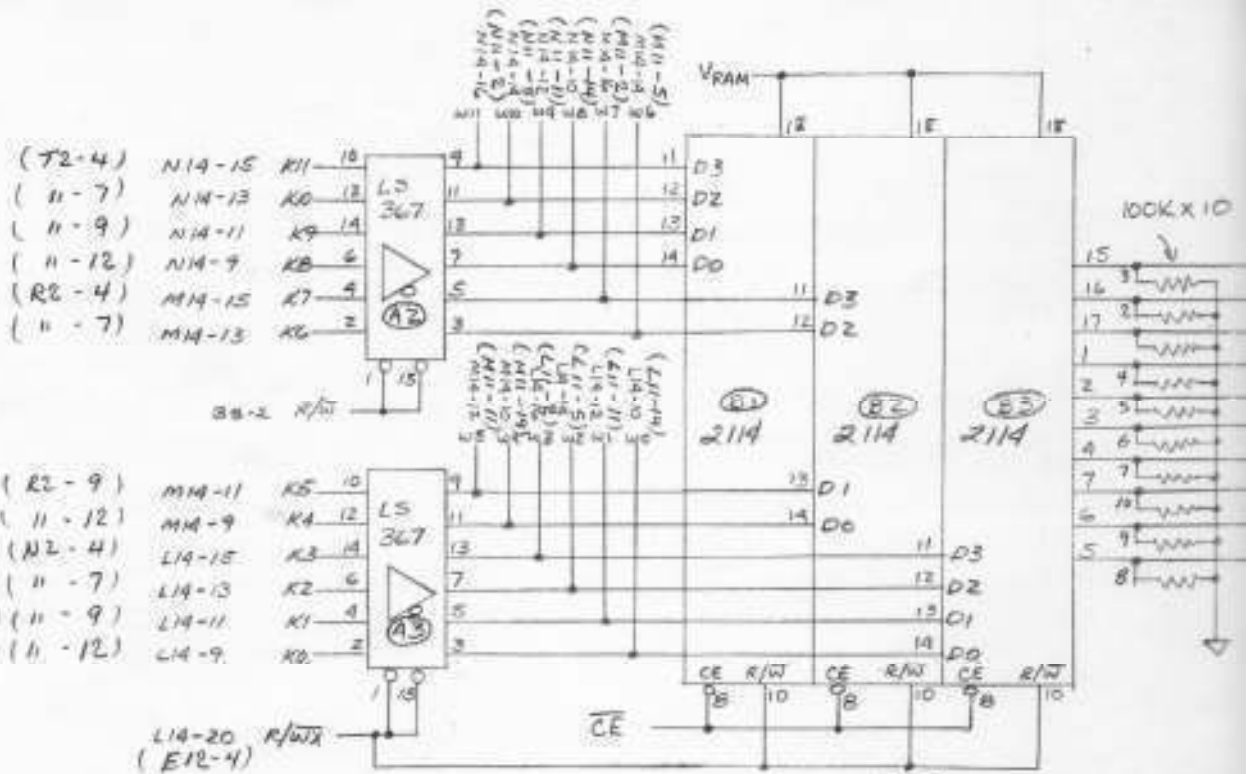




GAMEC TRACKBALL CONTROL

TMCP 3/4/82

G-6485-S



(11 PIN SIP)

- A9
- A8
- A7 214-1 (J12-15)
- A6 " -2 (" -14)
- A5 " -3 (" -13)
- A4 " -4 (" -12)
- A3 " -5 (J12-15)
- A2 " -6 (" -14)
- A1 " -7 (" -13)
- A0 " -21 (" -12)

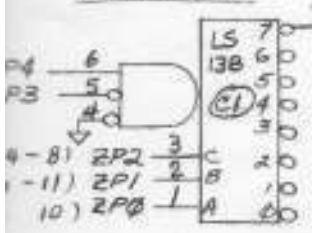
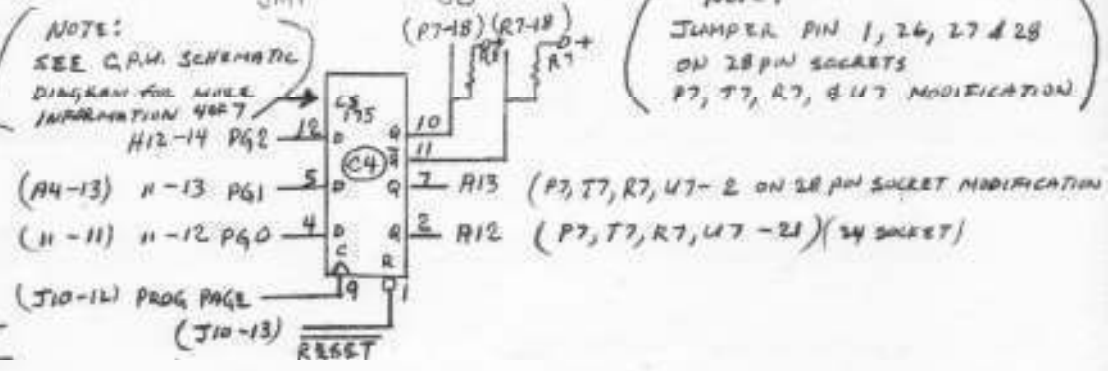
U71

SETP ϕ	80	0
OUT ϕ		90
SETP F	BF	
LDA1 4		25
AB1 55	20	55
STA A	DA	
LDA A		AA
LDA1 ϕ	40	00
JMP	5B	

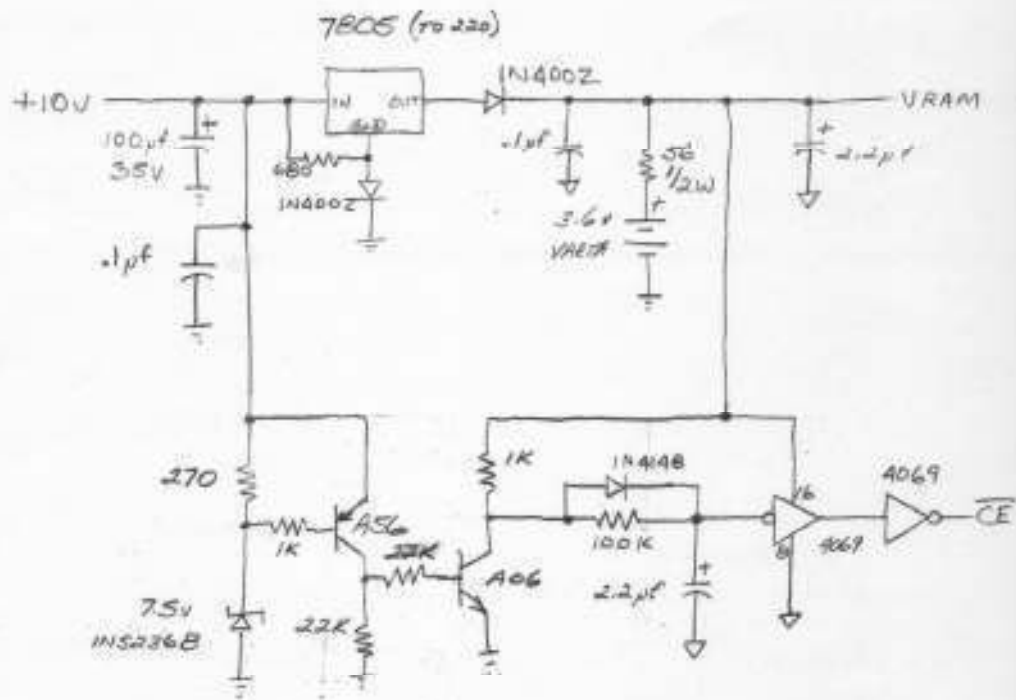
CONNECTOR)

NOTE:
SEE C.P.W. SCHEMATIC
DIAGRAM FOR WIRE
INFORMATION NOT
H12-14 PG2

NOTE:
JUMPER PIN 1, 26, 27 & 28
ON 28 PIN SOCKETS
P7, T7, R7, & U7 MODIFICATION

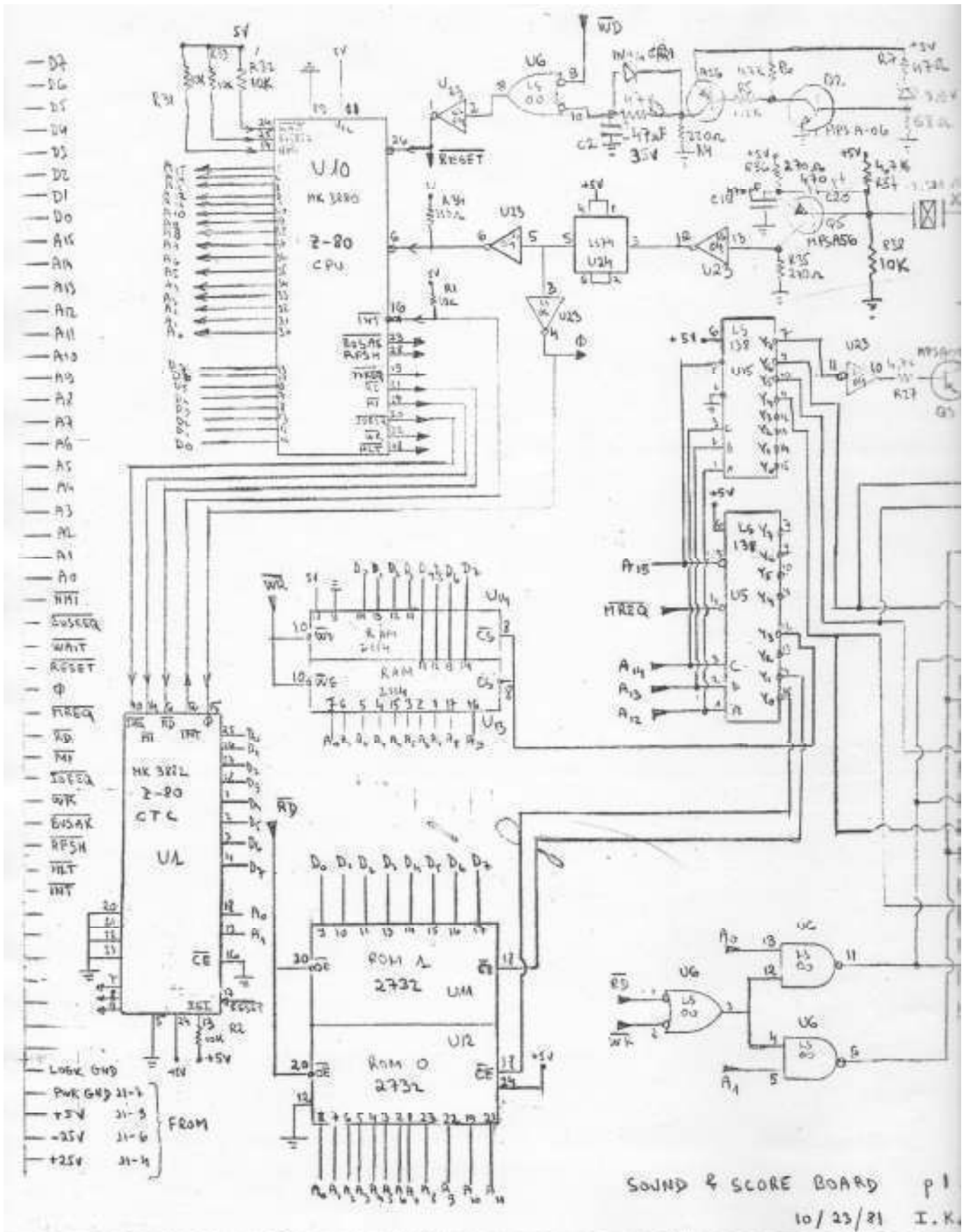


RAM PAGE 7/8/52 MCP
p1 of 2 7/19/52 REV A



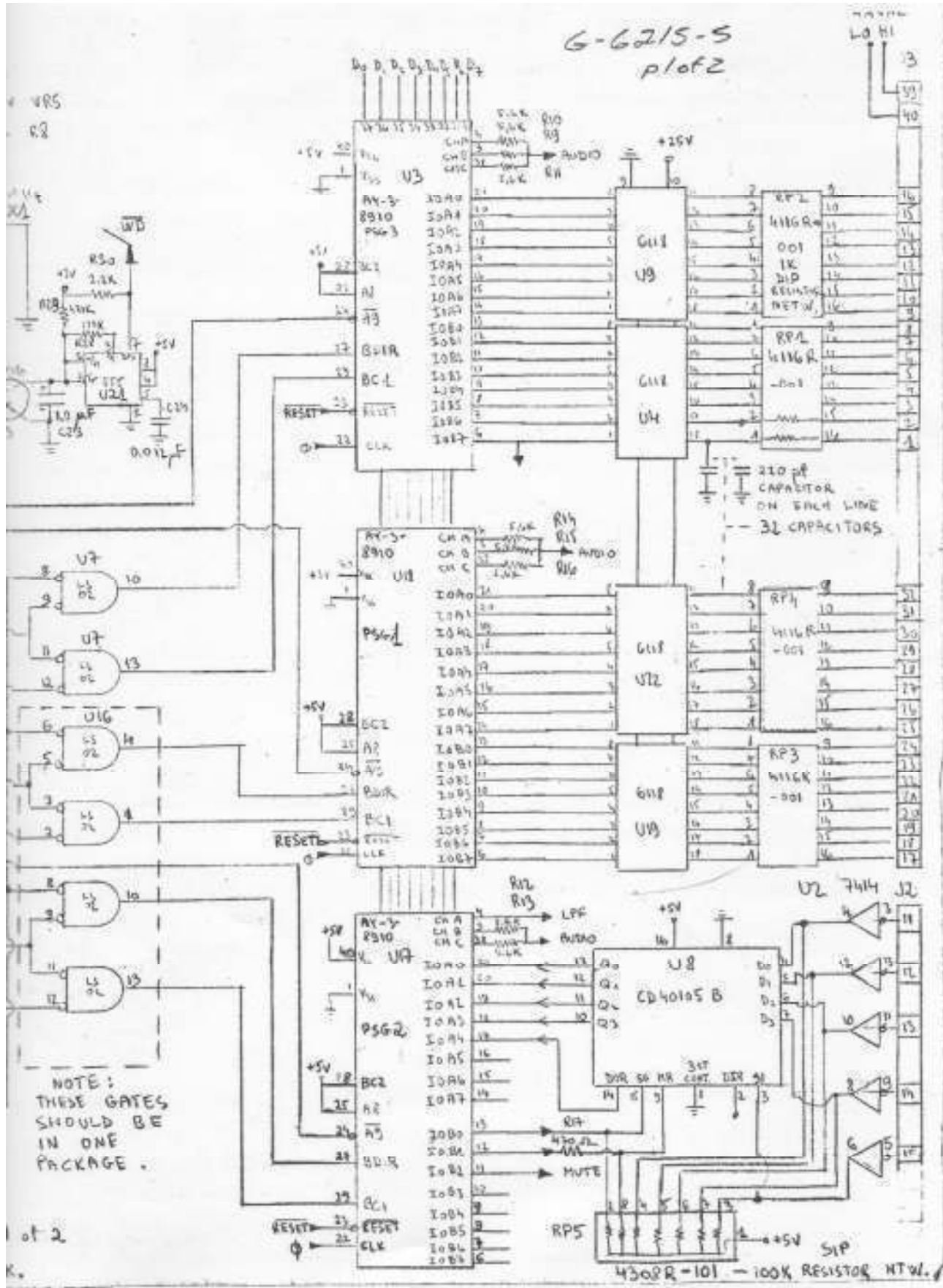
RAM PAGE
P 2 of 2

MCP
7/19/82
REV A 7/23/82



SOUND & SCORE BOARD p1
10/23/81 I.K.

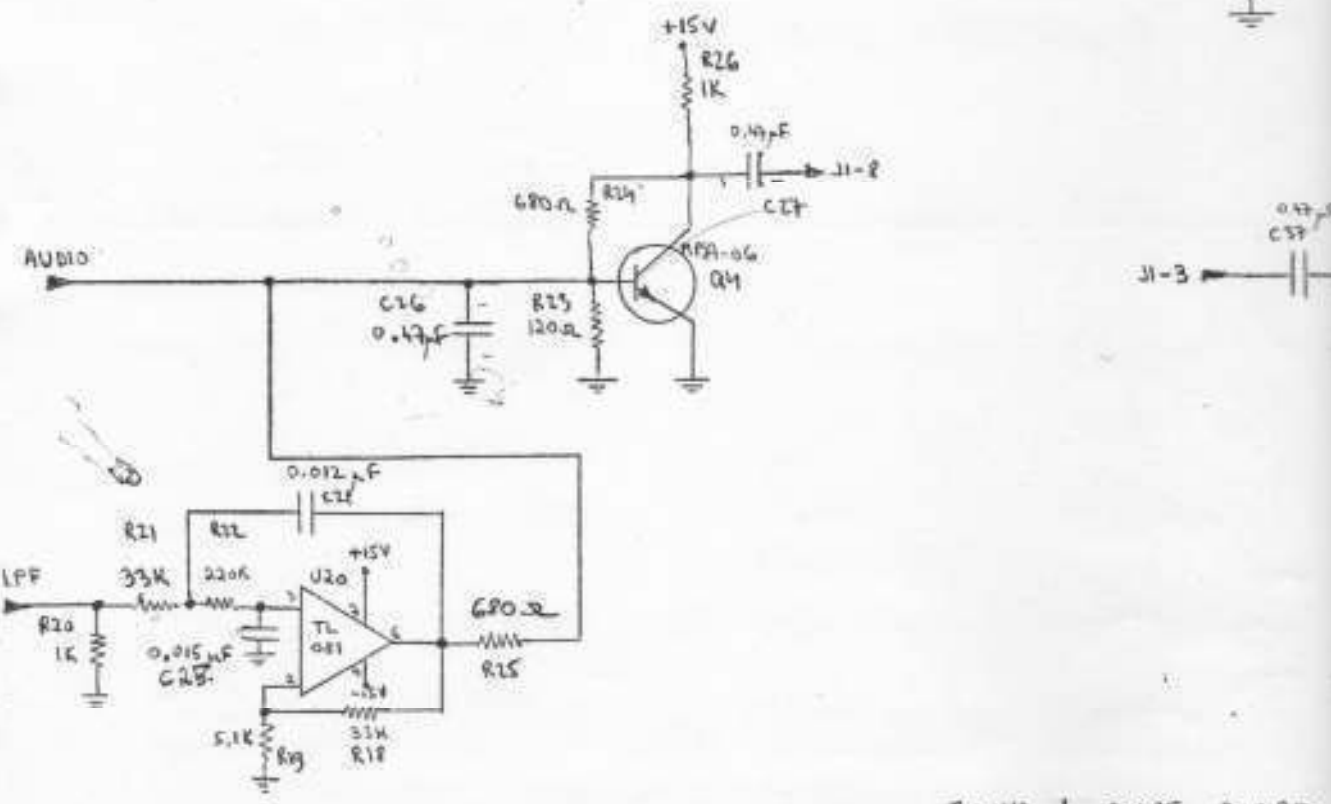
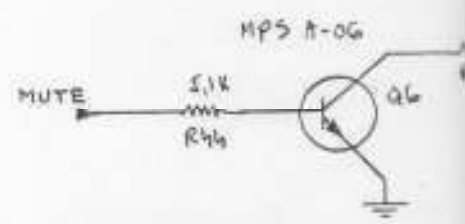
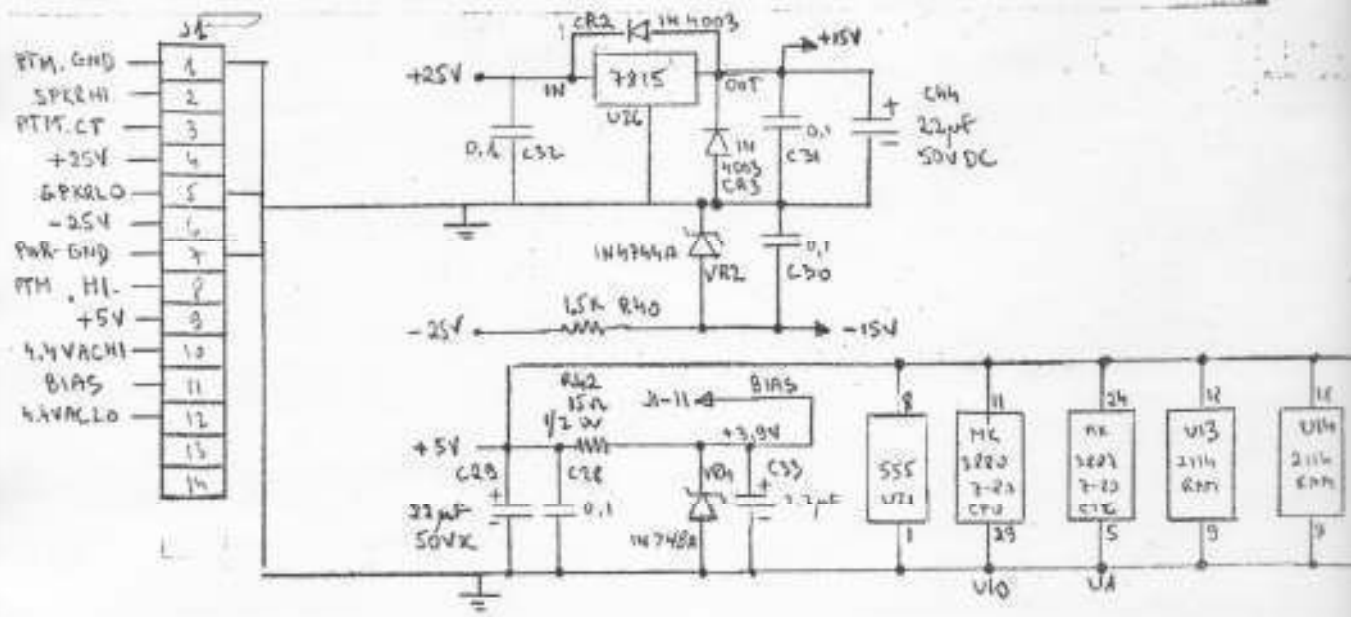
G-6215-S plot 2



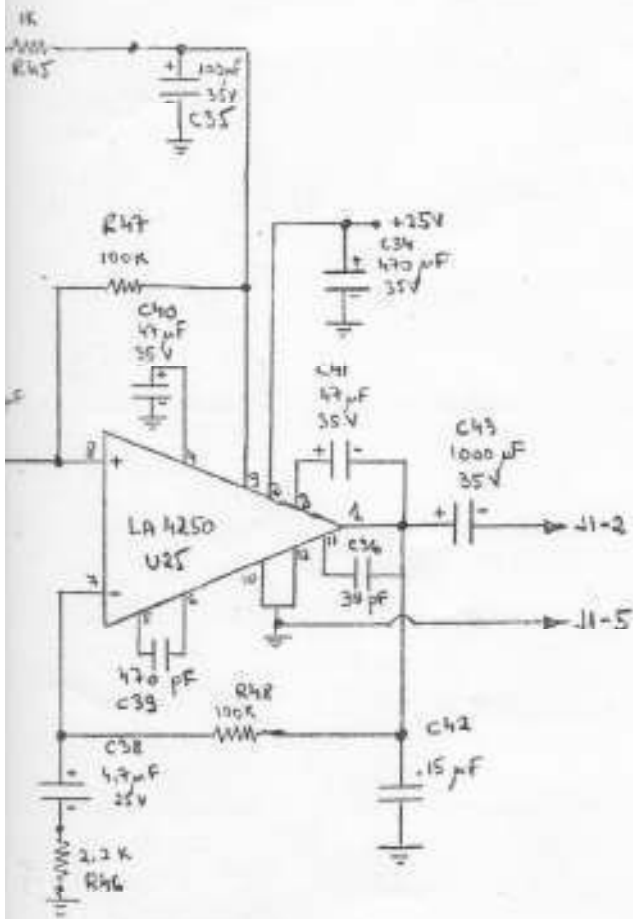
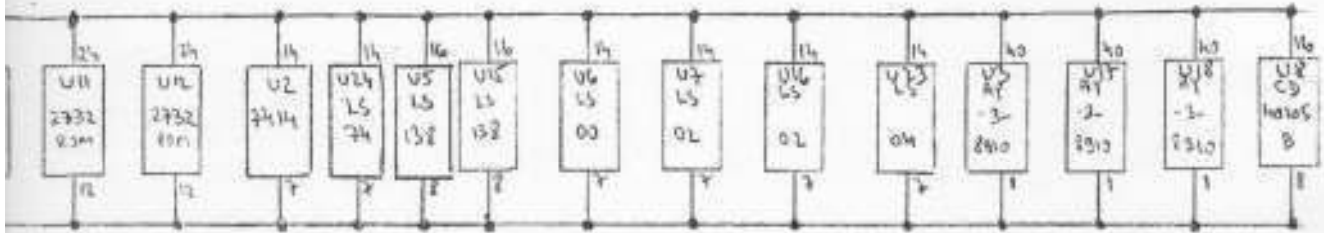
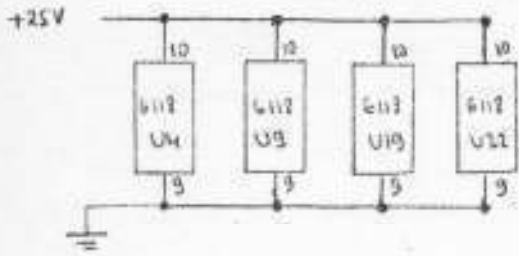
NOTE:
THESE GATES
SHOULD BE
IN ONE
PACKAGE.

310 pF
CAPACITOR
ON EACH LINE
-- 32 CAPACITORS

430R-101 - 100K RESISTOR NETW.



SOUND & SCORE BOARD
10/23/81 I



G-6215-S
p2 of 2

p 2 of 2

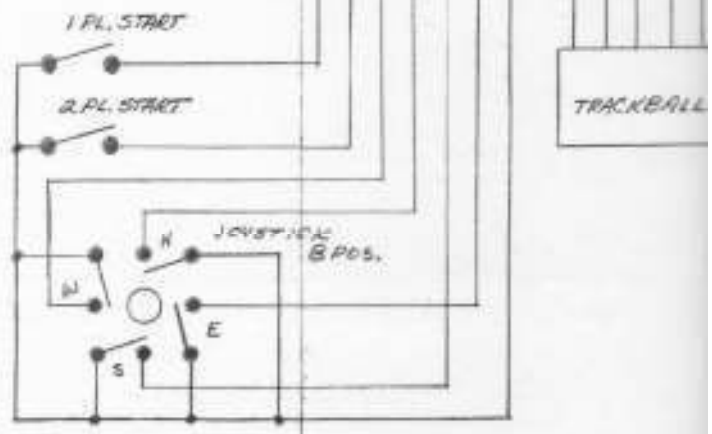
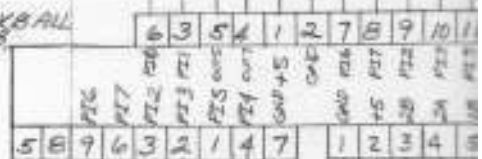
E. K.

COLOR DAC P.C.B.

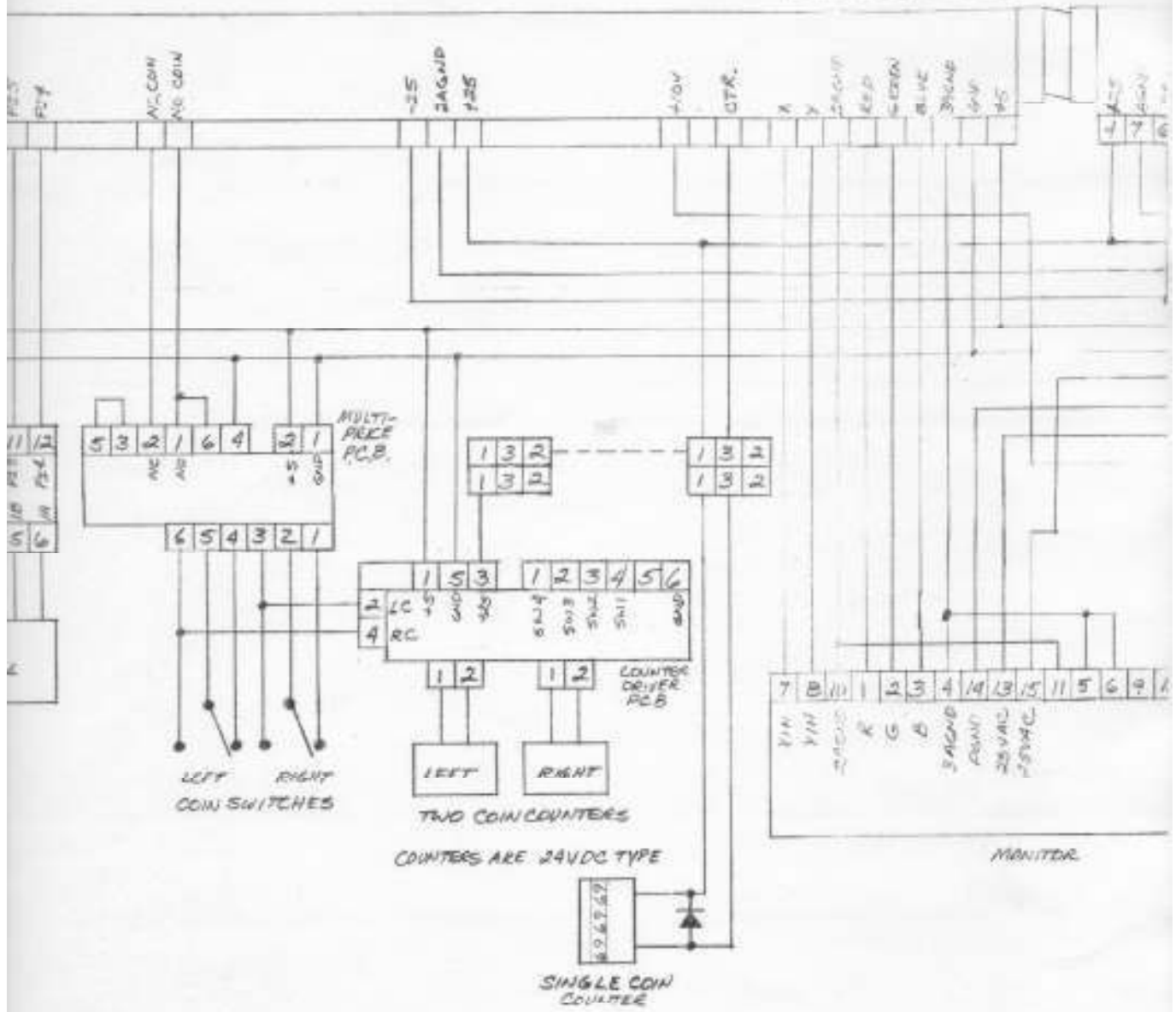
10pin

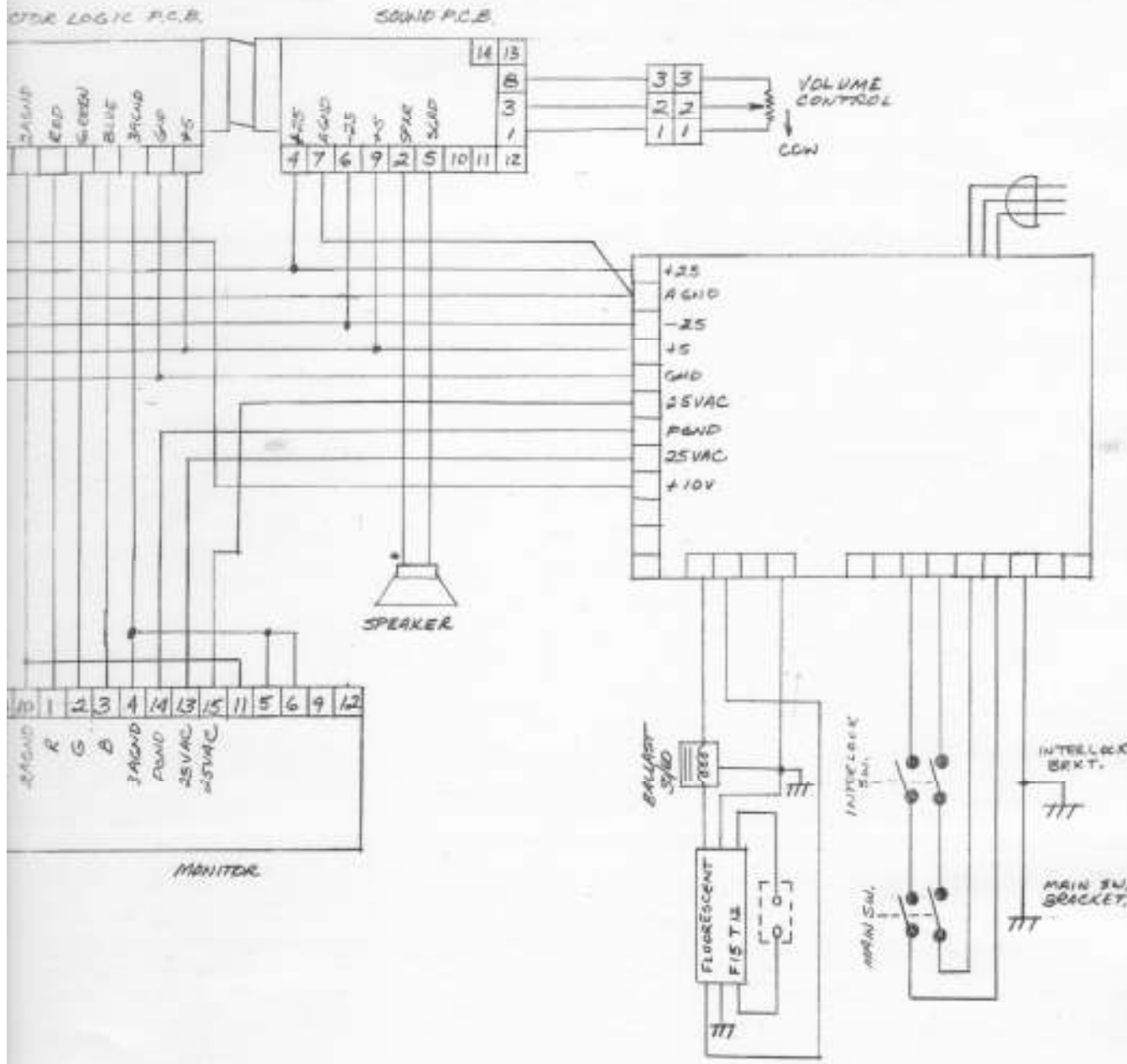


TRACKBALL P.C.B.



VIDEO LOGIC P.C.B.





CUBE CABLE DIAGRAM
MCP