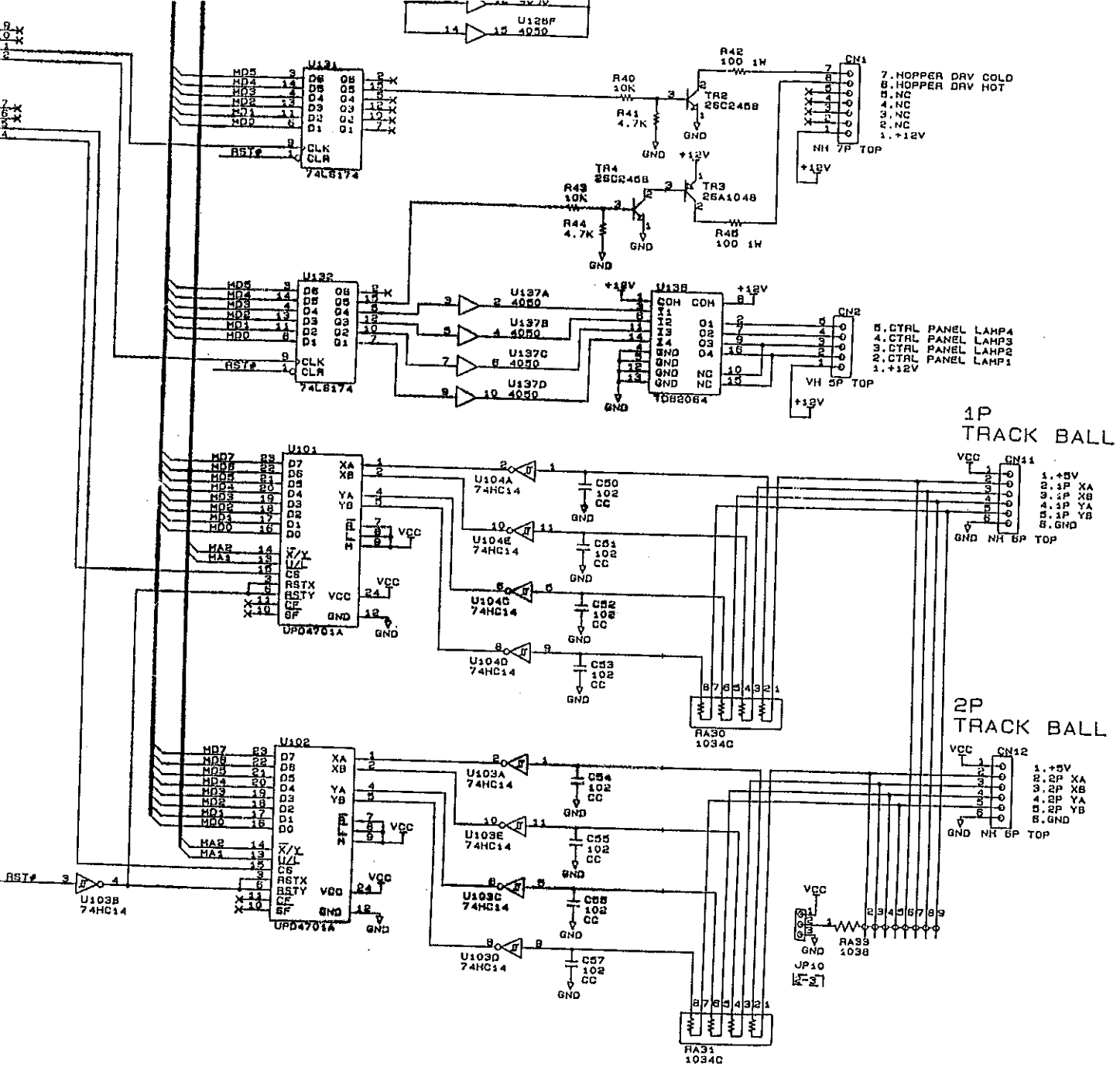


A-1



- 7. HOPPER DRV COLD
- 8. HOPPER DRV HOT
- 9. NC
- 4. NC
- 3. NC
- 2. NC
- 1. +12V

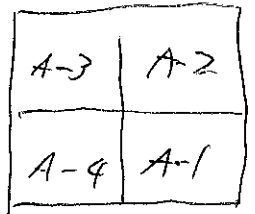
- 5. CTRL PANEL LAMP4
- 4. CTRL PANEL LAMP3
- 3. CTRL PANEL LAMP2
- 2. CTRL PANEL LAMP1
- 1. +12V

1P TRACK BALL

- 1. +5V
- 2. 1P XA
- 3. 1P XB
- 4. 1P YA
- 5. 1P YB
- 6. GND

2P TRACK BALL

- 1. +5V
- 2. 2P XA
- 3. 2P XB
- 4. 2P YA
- 5. 2P YB
- 6. GND



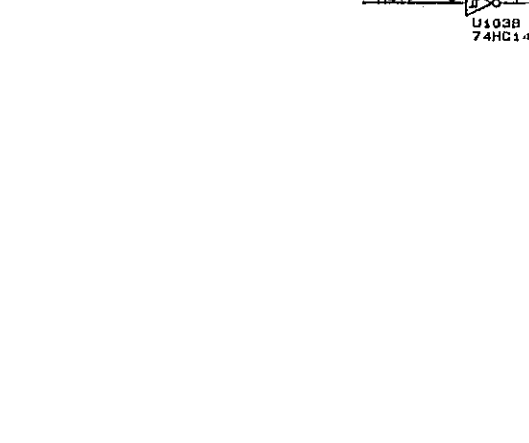
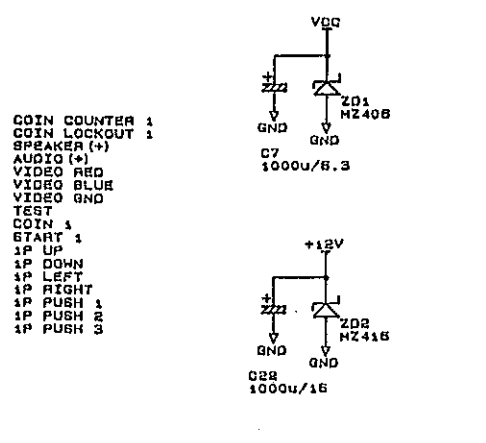
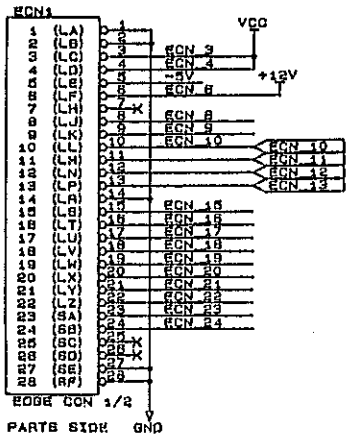
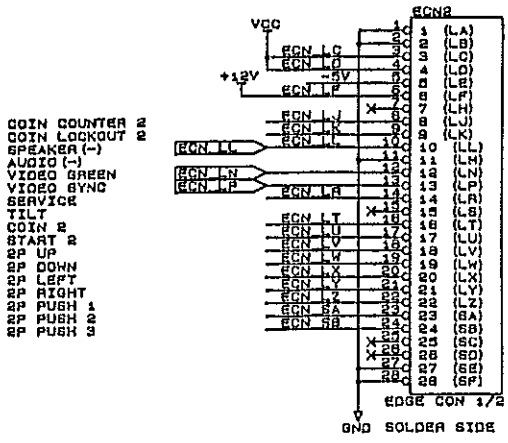
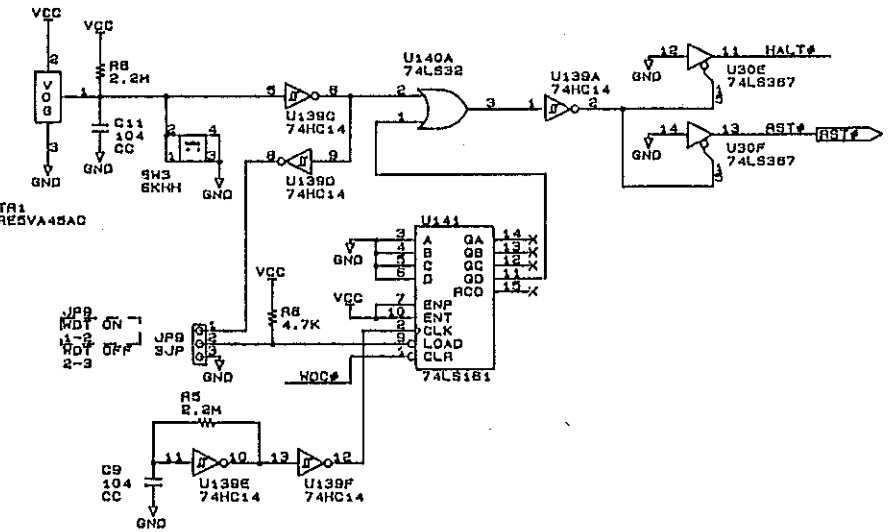
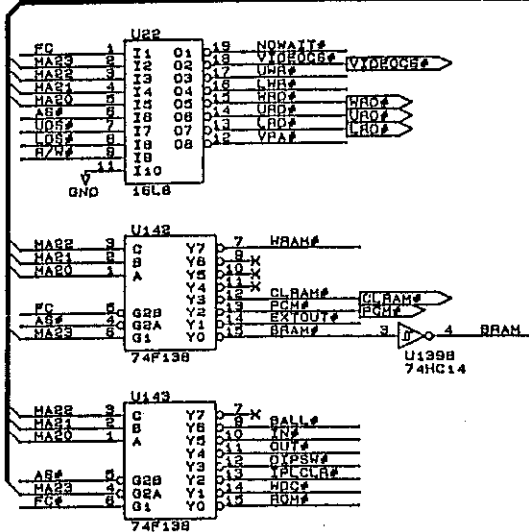
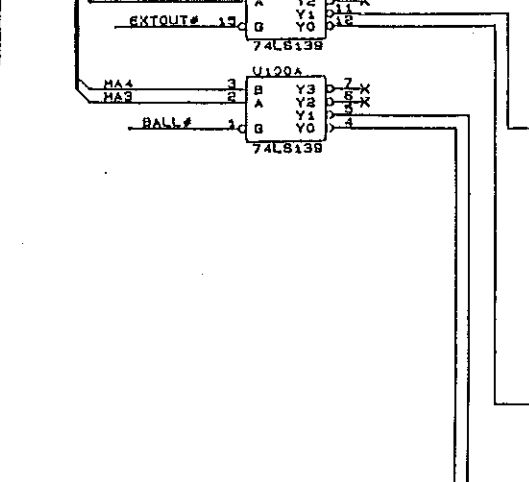
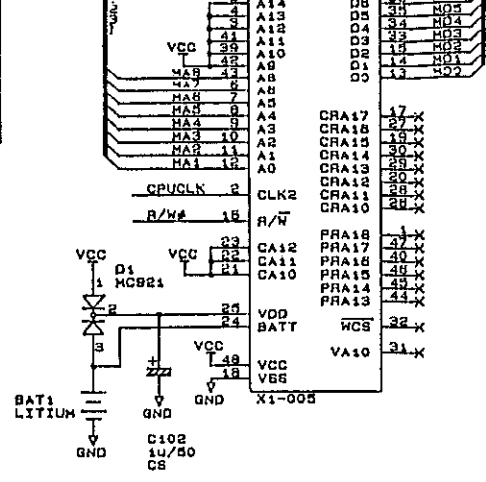
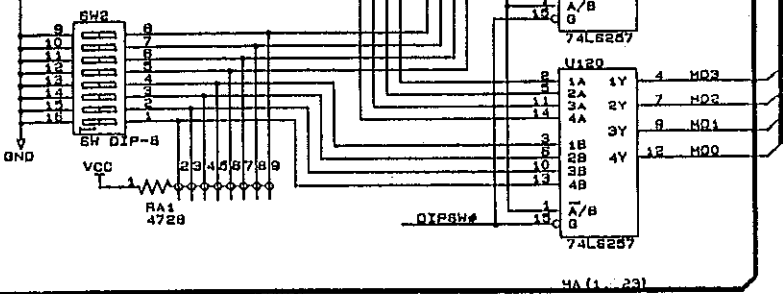
PCB DRAWING
for
K. Bowl (1/2)
(& Keroppi)

LINK
FV02.SCH

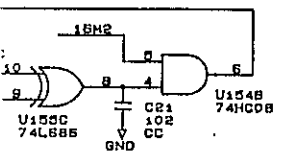
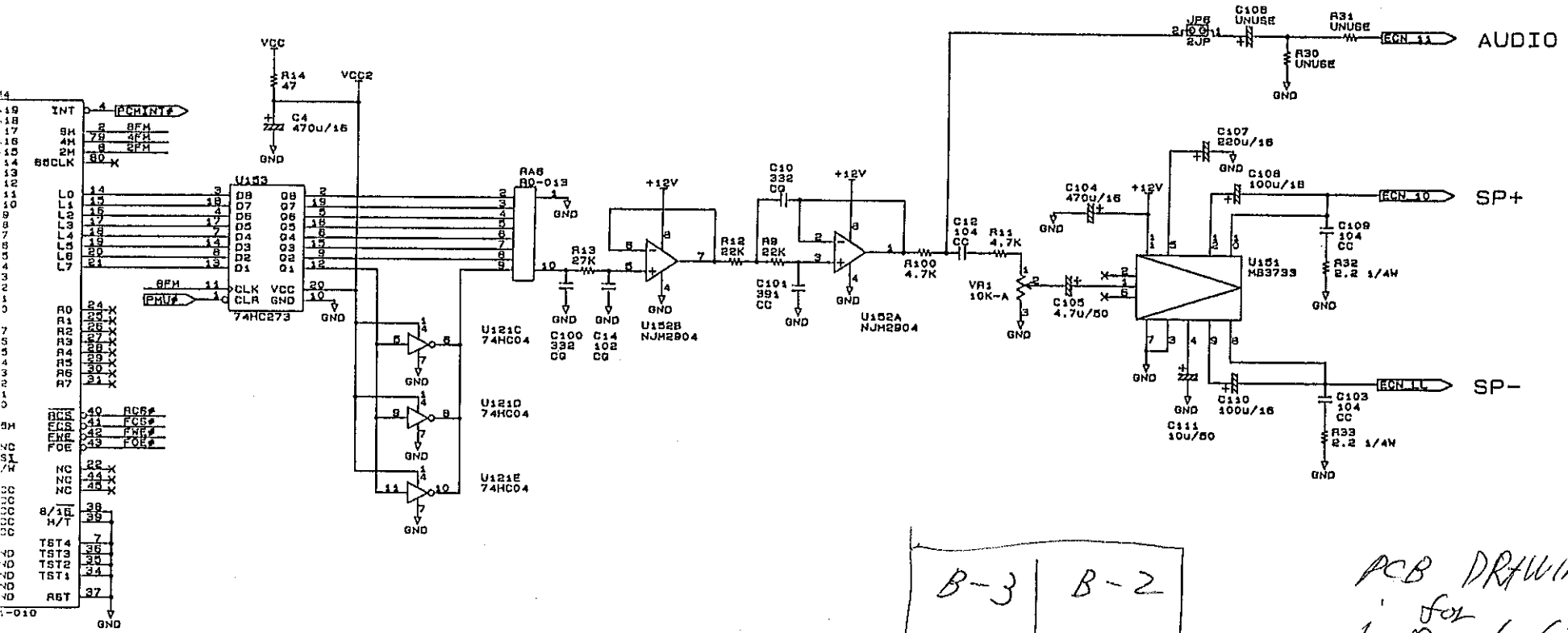
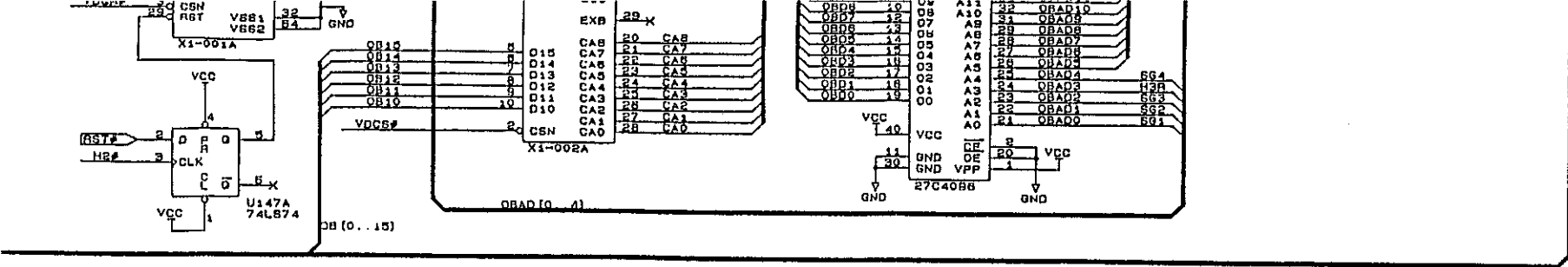
NO.	DATE	CORRECT	NAME	NO.	DATE	CORRECT	NAME

ALLUMER CO., LTD.
DESIGN
DRAWING SHIMOHARA
Title
FV BOARD PO-114A
Size Document Number

A-4



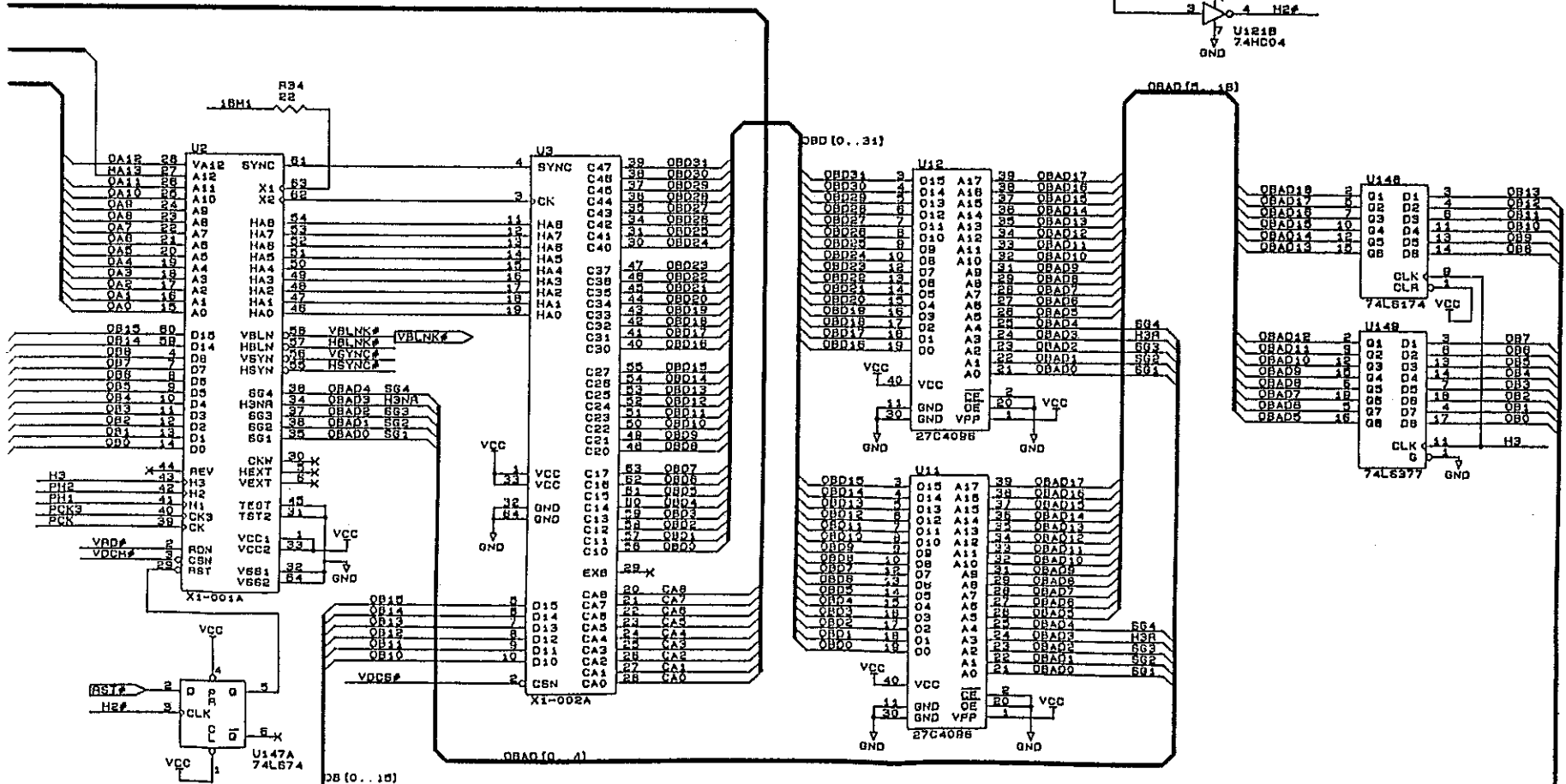
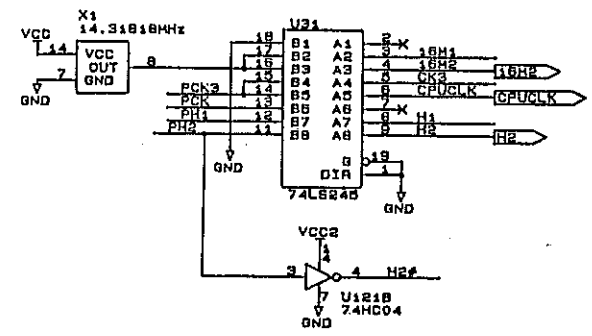
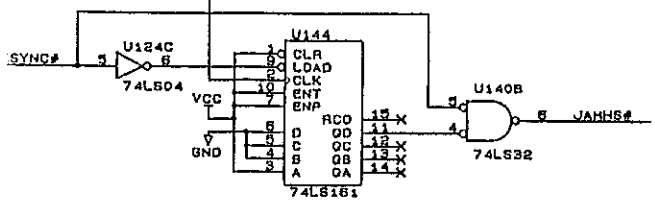
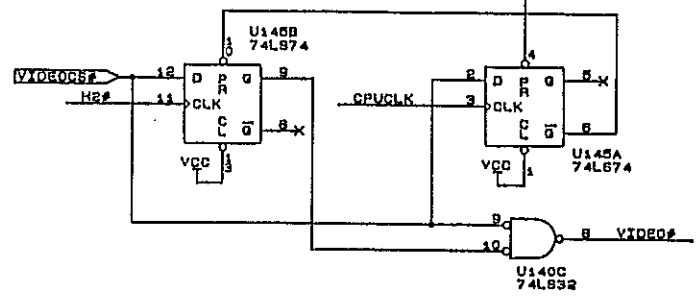
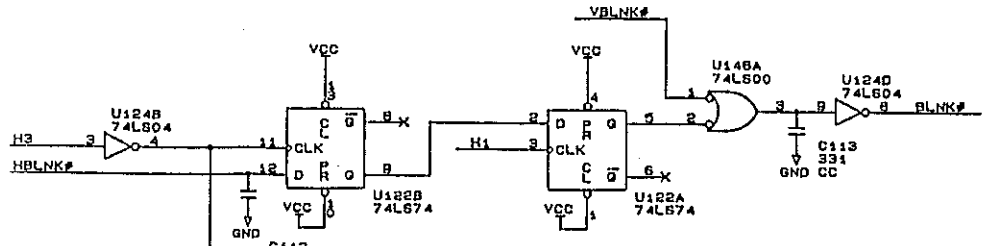
B-1



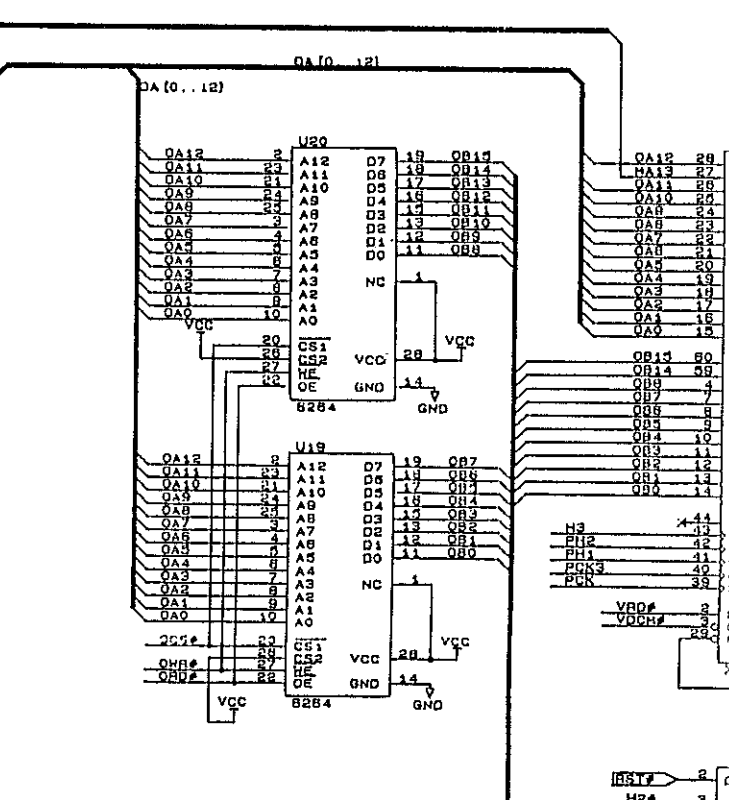
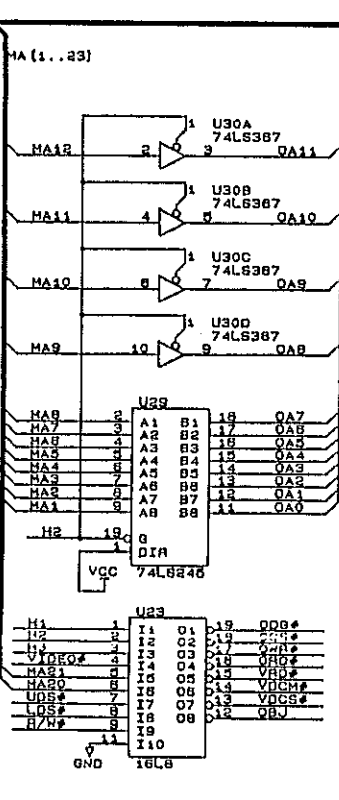
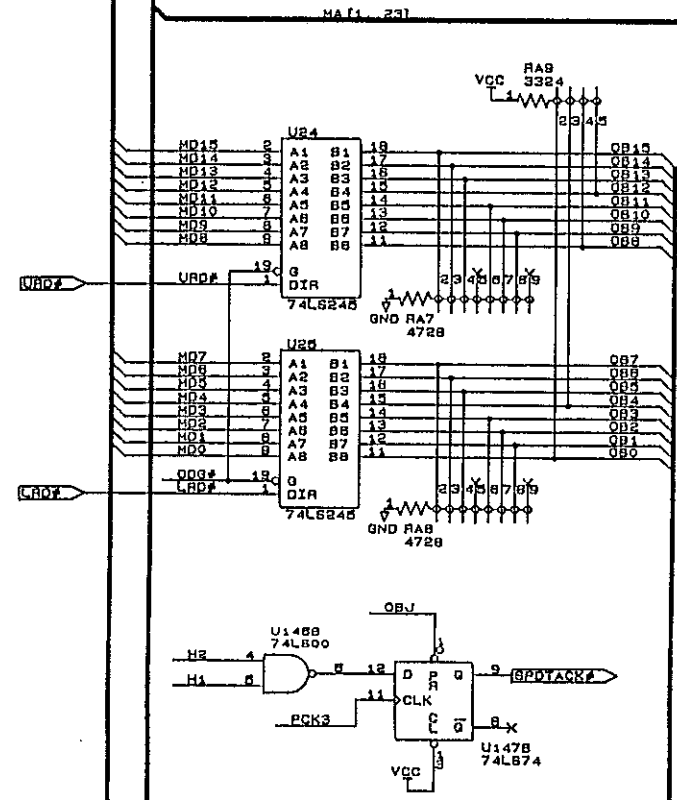
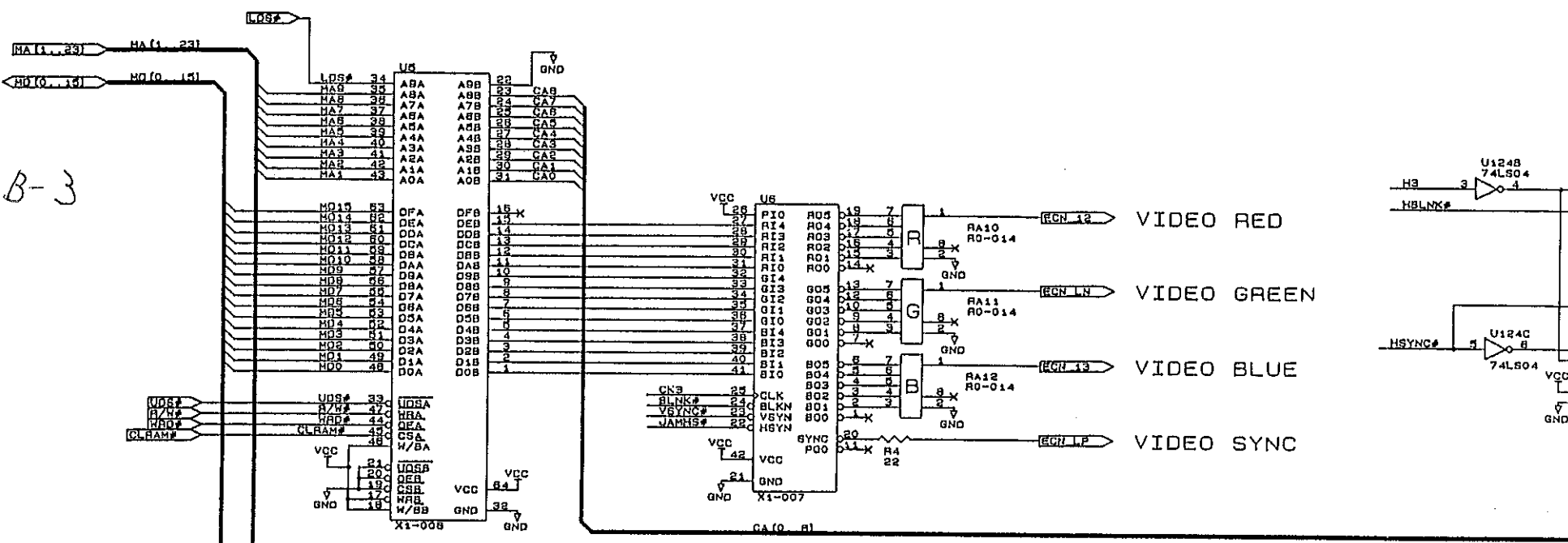
B-3 | B-2
 B-4 | B-1

PCB DRAWING
 for
 K. Bowl (2/2)
 (& Keroppi)

NO.	DATE	CORRECT	NAME	NO.	DATE	CORRECT	NAME
ALLUHER CO. DESIGN DRAWING SHJ Title: FV BOARD P Size: Document Number 20-31 Date: AUGUST 22, 1994							



B-3



B-4

