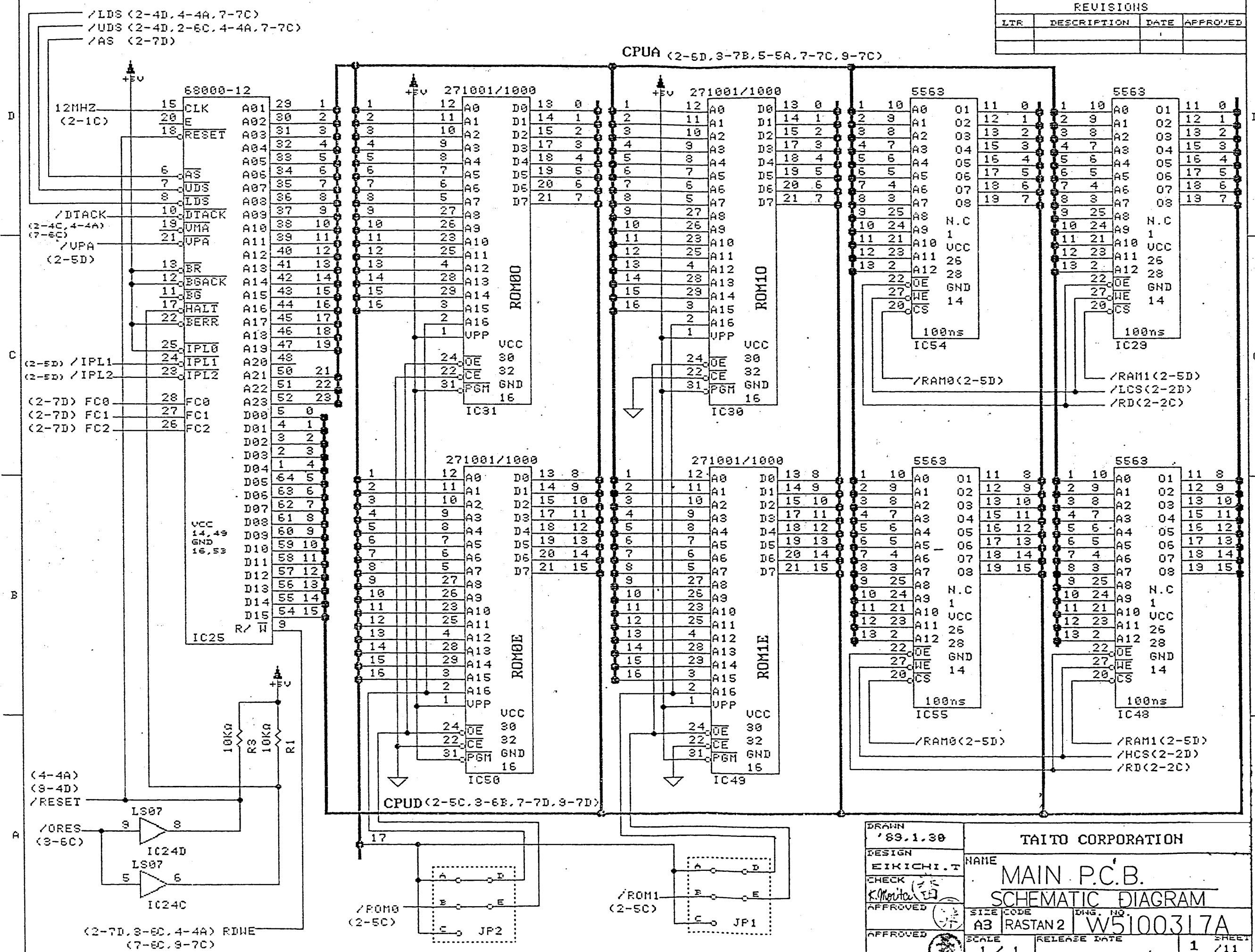
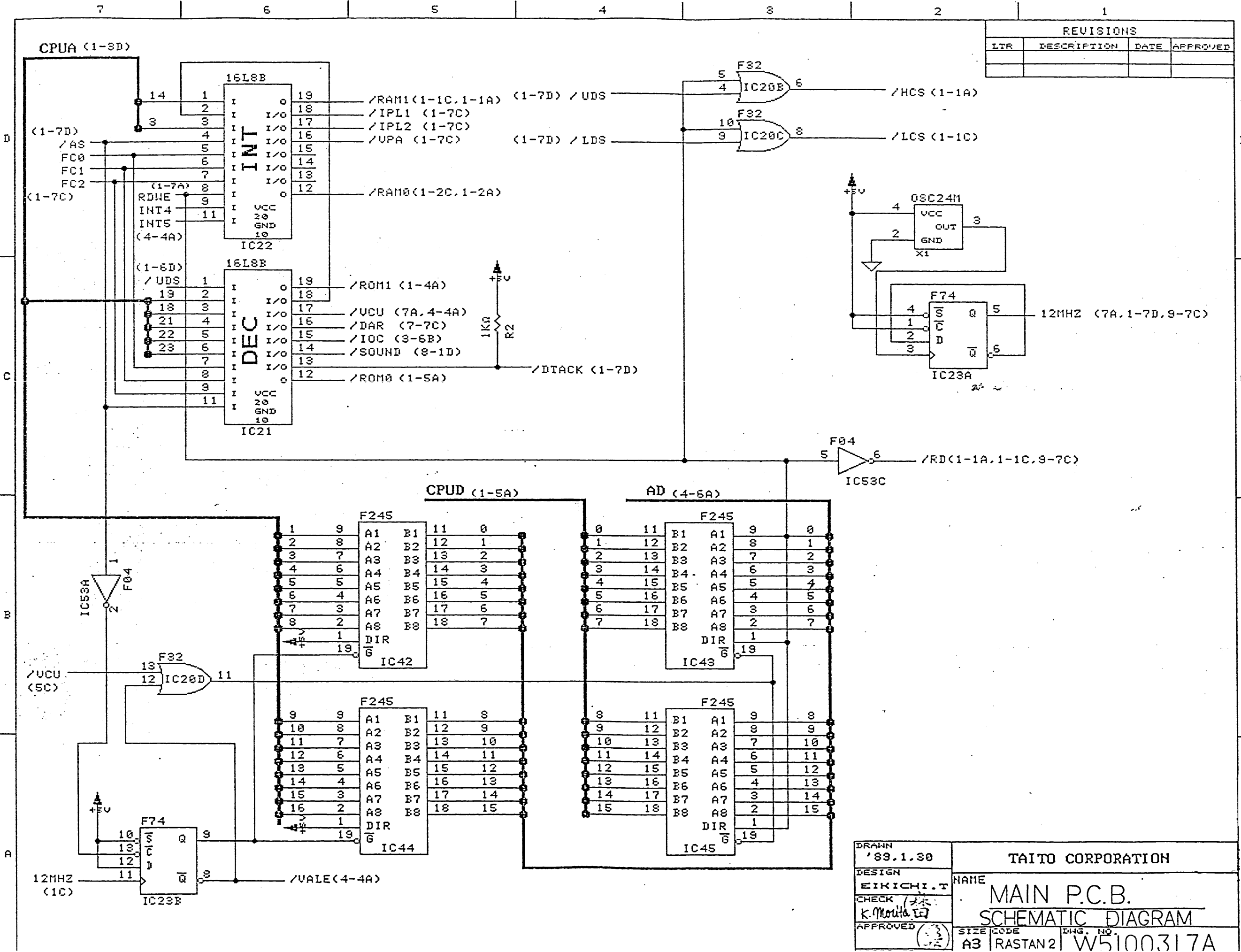


REVISIONS			
LTR	DESCRIPTION	DATE	APPROVED



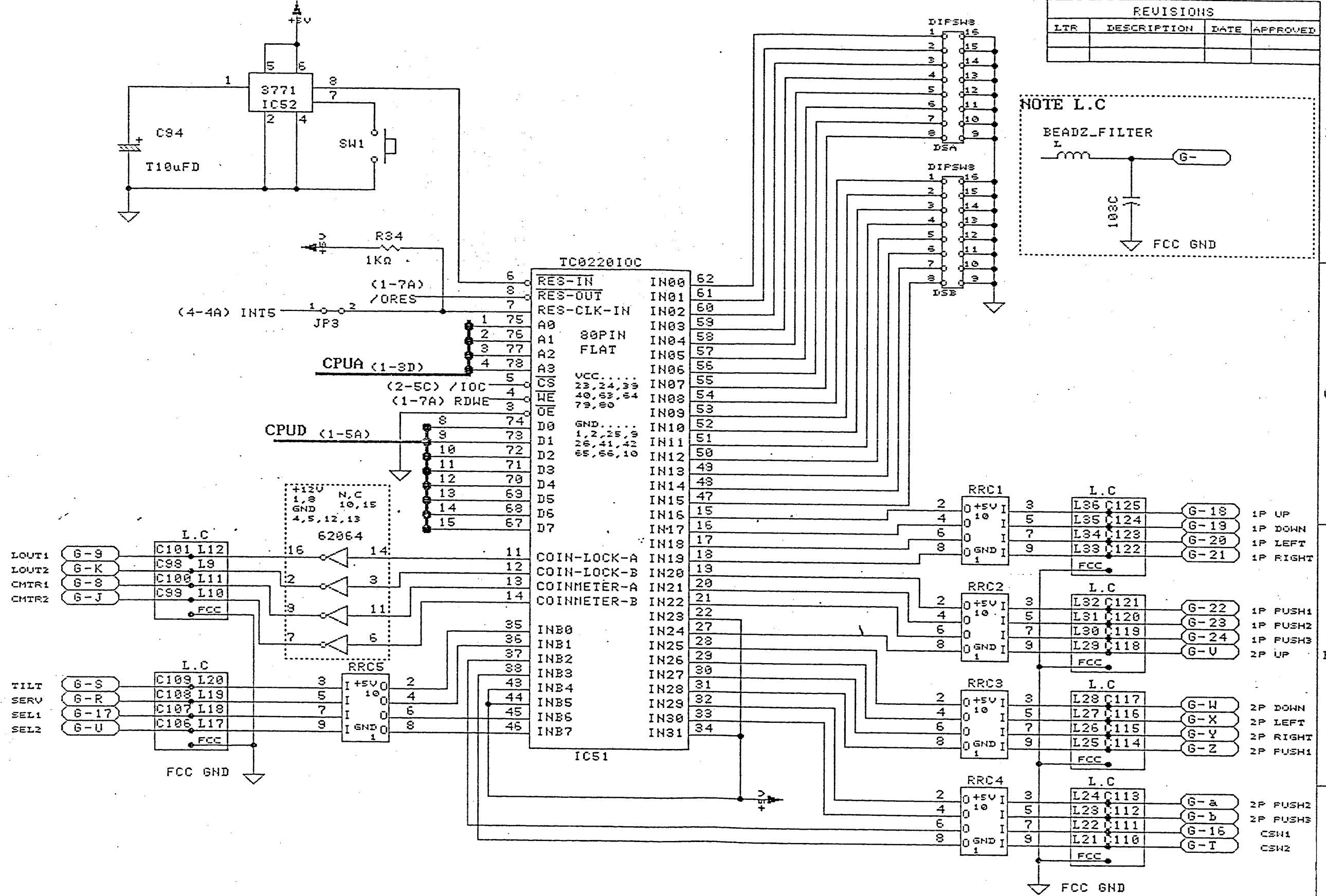
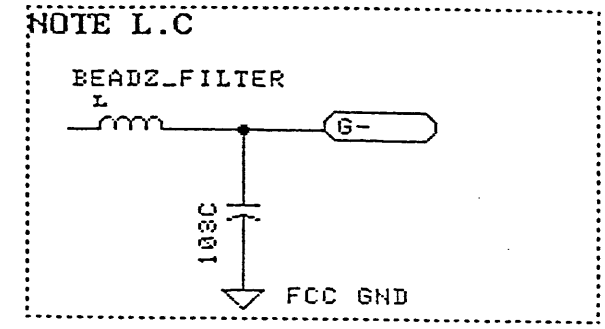
DRAWN '89.1.30 DESIGN EIKICHI.T CHECK K.Morita APPROVED APPROVED	TAITO CORPORATION NAME MAIN P.C.B. SCHEMATIC DIAGRAM SIZE CODE A3 Dwg. No. W5100317A SCALE 1/1 RELEASE DATE SHEET 1/11
---	--



REVISIONS			
LTR	DESCRIPTION	DATE	APPROVED

DRAWN '89.1.30 DESIGN EIKICHI.T CHECK K. Mouri APPROVED	TAITO CORPORATION NAME MAIN P.C.B. SCHEMATIC DIAGRAM SIZE CODE A3 RASTAN2 DWG. NO. W5100.317A
---	--

REVISIONS			
LTR	DESCRIPTION	DATE	APPROVED



DRANN '89.1.30	TAITO CORPORATION		
DESIGN EIKICHI.T	NAME MAIN P.C.B.		
CHECK K.Morita	SCHEMATIC DIAGRAM		
APPROVED	SIZE CODE A3	DWG. NO. RASTAN 2	W5100317A
APPROVED	SCALE 1 / 1	RELEASE DATE	SHEET 3 / 11

REVISIONS			
LTR	DESCRIPTION	DATE	APPROVED

FD (5-5C)

FA (5-7D)

0	1	FA0
1	2	FA1
2	3	FA2
3	4	FA3
4	5	FA4
5	6	FA5
6	7	FA6
7	8	FA7
8	9	FA8
9	10	FA9
10	11	FA10
11	12	FA11
12	13	FA12
13	14	FA13
14	15	FA14
15	16	FA15
17	17	/FHEN
18	20	/FWE0
19	21	/FWE1
20	22	/FWE2
21	23	/FWE3
22	24	/FOEN

(5-7A) /FHEN
 (5-7C) /FWE0
 (5-5C) /FWE1
 (5-3C) /FWE2
 (5-2C) /FWE3
 (5-7C) /FOEN

0	25	CL0
1	26	CL1
2	27	CL2
3	28	CL3
4	29	CL4
5	30	CL5
6	31	CL6
7	32	CL7
8	33	CL8
9	34	CL9
10	35	CL10
11	36	CL11

CL (7-4D)

AD (2-3C)

CPUA (1-2D)

38	AD0
39	AD1
40	AD2
41	AD3
42	AD4
43	AD5
44	AD6
45	AD7
46	AD8
47	AD9
48	AD10
49	AD11
50	AD12
51	AD13
52	AD14
53	AD15
56	A17
57	A18
58	/ALE
59	/LDS
60	/UDS
61	RDWE
62	/CS
63	/RESET
65	/DTACK
66	INTL
67	INTH
68	COMPELANK
69	COMPSYNC
70	CLOCKIN

TC0180VCU

144Pin FLAT IC28

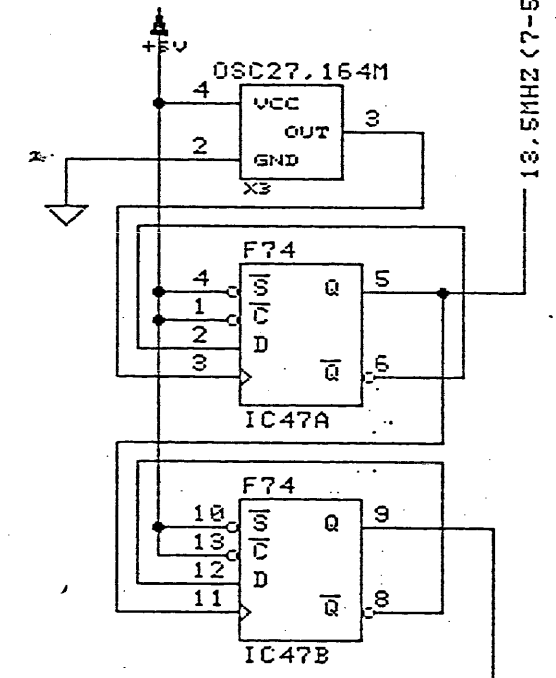
UCC.....
 18 54 71 73 90 126

GND.....
 19 37 55 64 72 91 109 127 144

CHALE	108
CH31	107
CH30	106
CH29	105
CH28	104
CH27	103
CH26	102
CH25	101
CH24	100
CH23	99
CH22	98
CH21	97
CH20	96
CH19	95
CH18	94
CH17	93
CH16	92
CH15	89
CH14	88
CH13	87
CH12	86
CH11	85
CH10	84
CH9	83
CH8	82
CH7	81
CH6	80
CH5	78
CH4	78
CH3	77
CH2	76
CH1	75
CH0	74

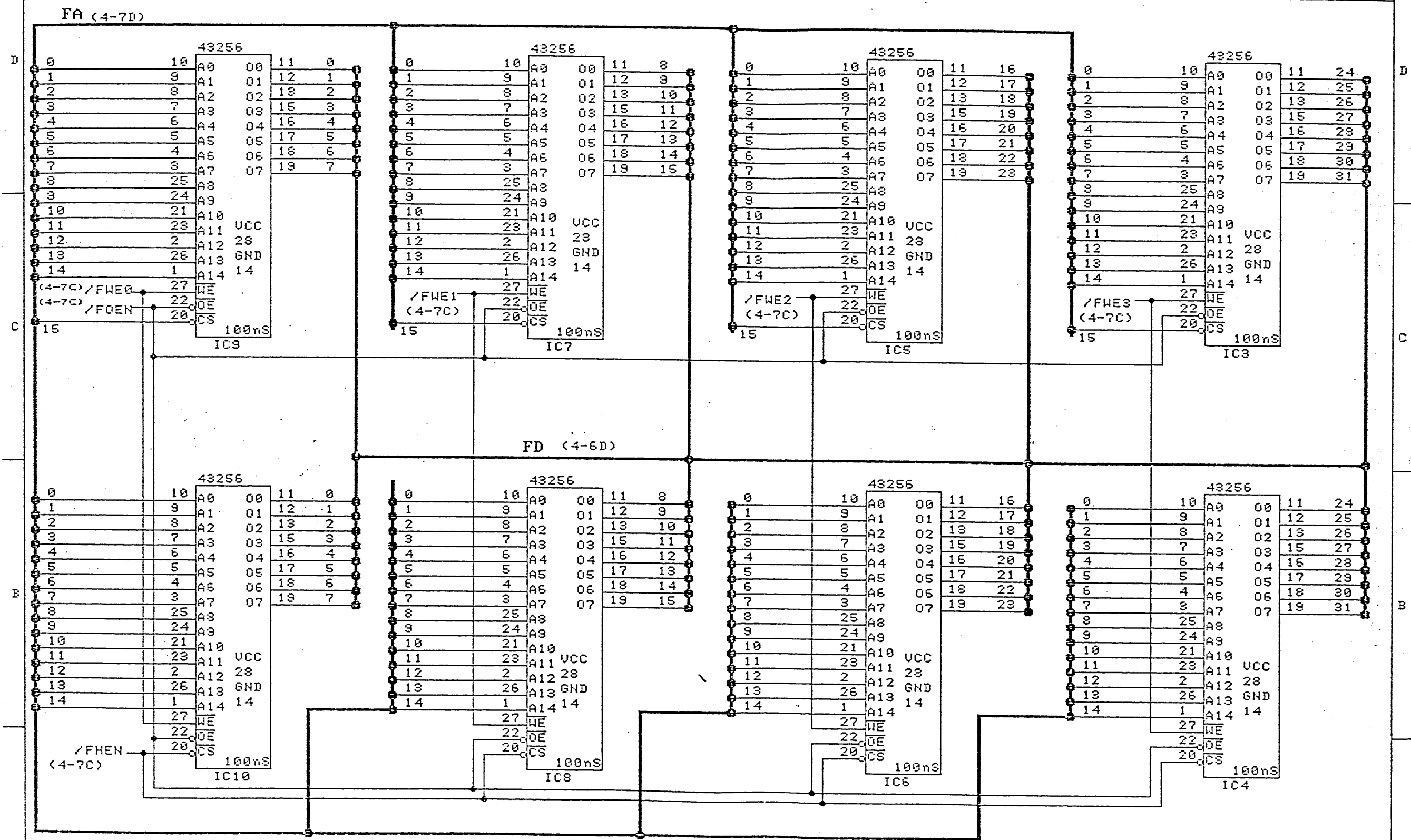
CHALE (6-4C)

CH (6-3D)



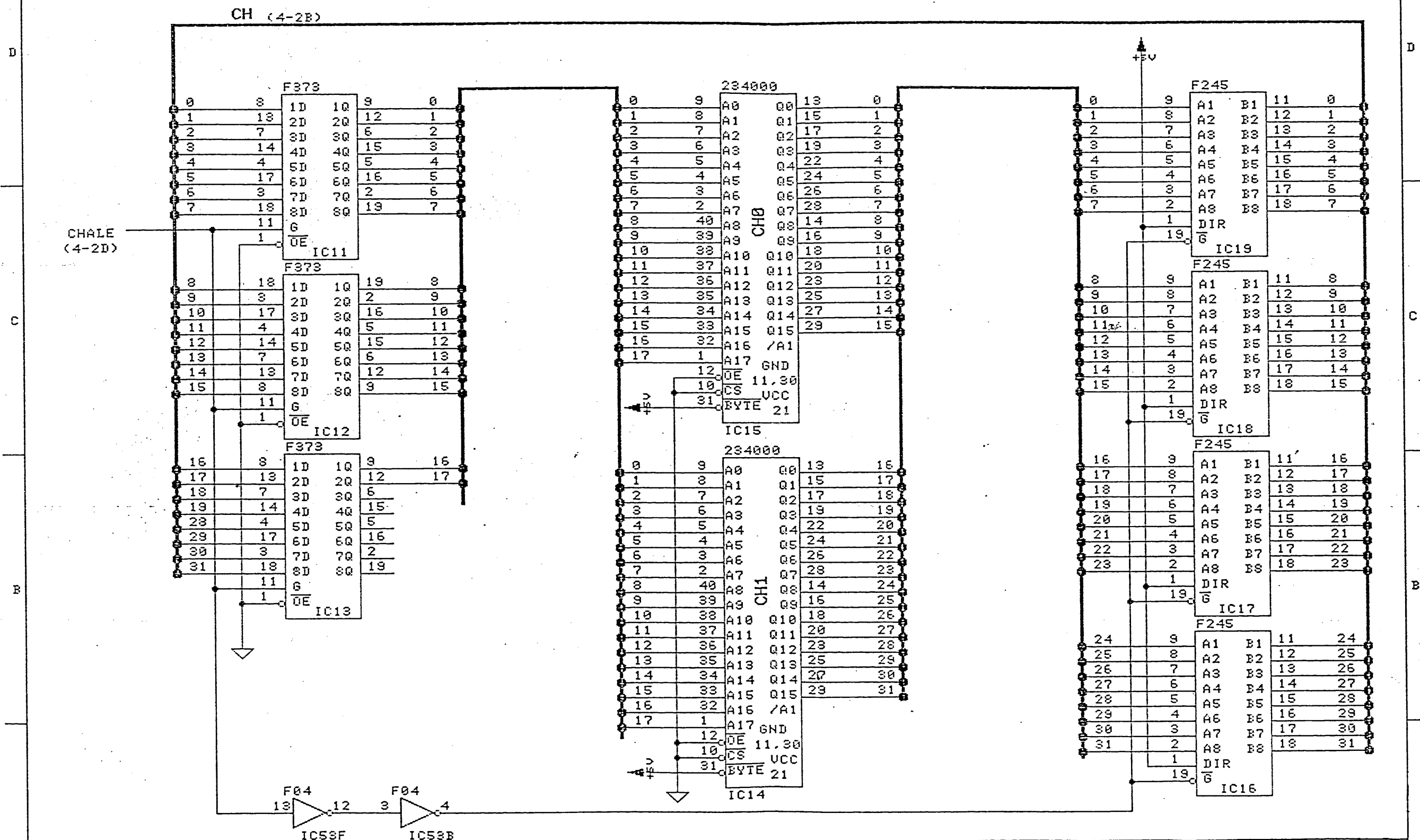
DRAWN '89.1.30 DESIGN EIKICHI.T CHECK K.Morita APPROVED APPROVED	TAITO CORPORATION NAME MAIN P.C.B. SCHEMATIC DIAGRAM SIZE CODE A3 RASTAN2 DNG. NO. W5100317A SCALE 1 / 1 RELEASE DATE 4 / 11
---	---

REVISIONS			
LTR	DESCRIPTION	DATE	APPROVED



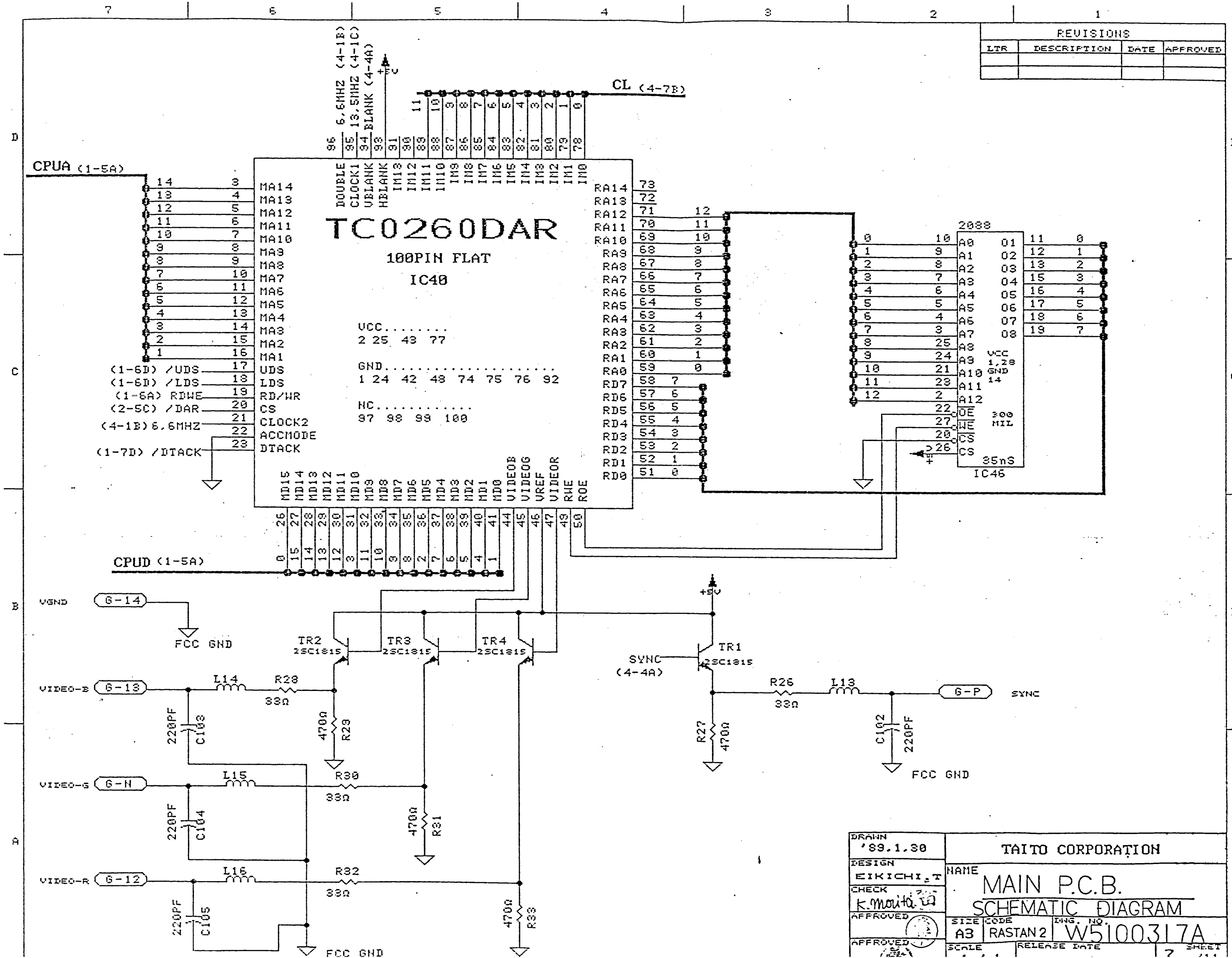
DRAWN '89.1.30 DESIGN EIKICHI.T CHECK K.Morita APPROVED APPROVED	TAITO CORPORATION NAME MAIN P.C.B. SCHEMATIC DIAGRAM SIZE CODE A3 RASTAN 2 ENG. NO. W5100317A SCALE 1 / 1 RELEASE DATE SHEET 5 / 11
---	--

REVISIONS			
LTR	DESCRIPTION	DATE	APPROVED



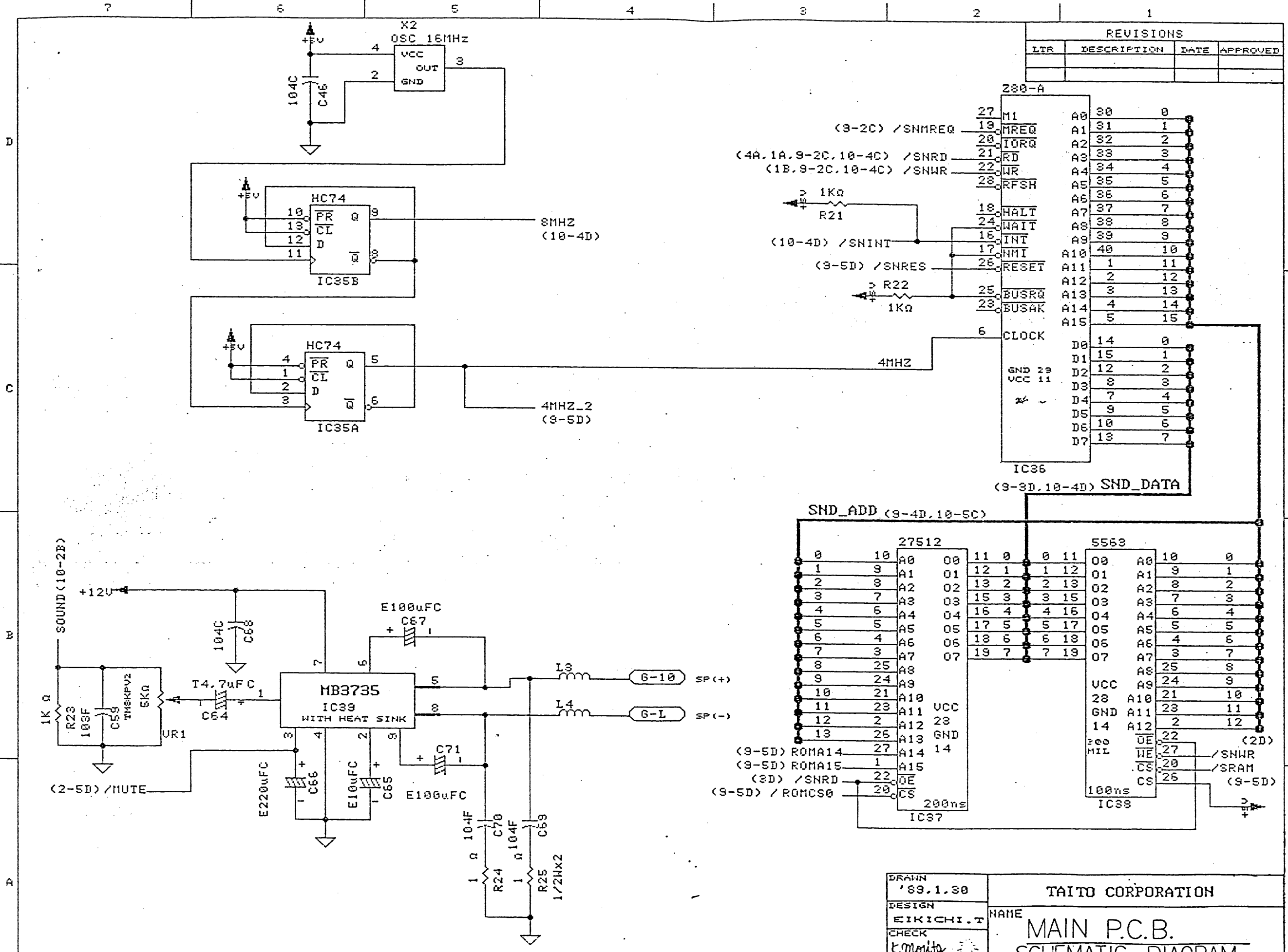
DRAWN '89.1.30	TAITO CORPORATION	
DESIGN EIKICHI.T	NAME MAIN P.C.B.	
CHECK k.morita	SCHEMATIC DIAGRAM	
APPROVED	SIZE CODE A3	DWG. NO. RASTAN2 W5100317A
APPROVED	SCALE	RELEASE DATE
		6 / 11

REVISIONS			
LTR	DESCRIPTION	DATE	APPROVED



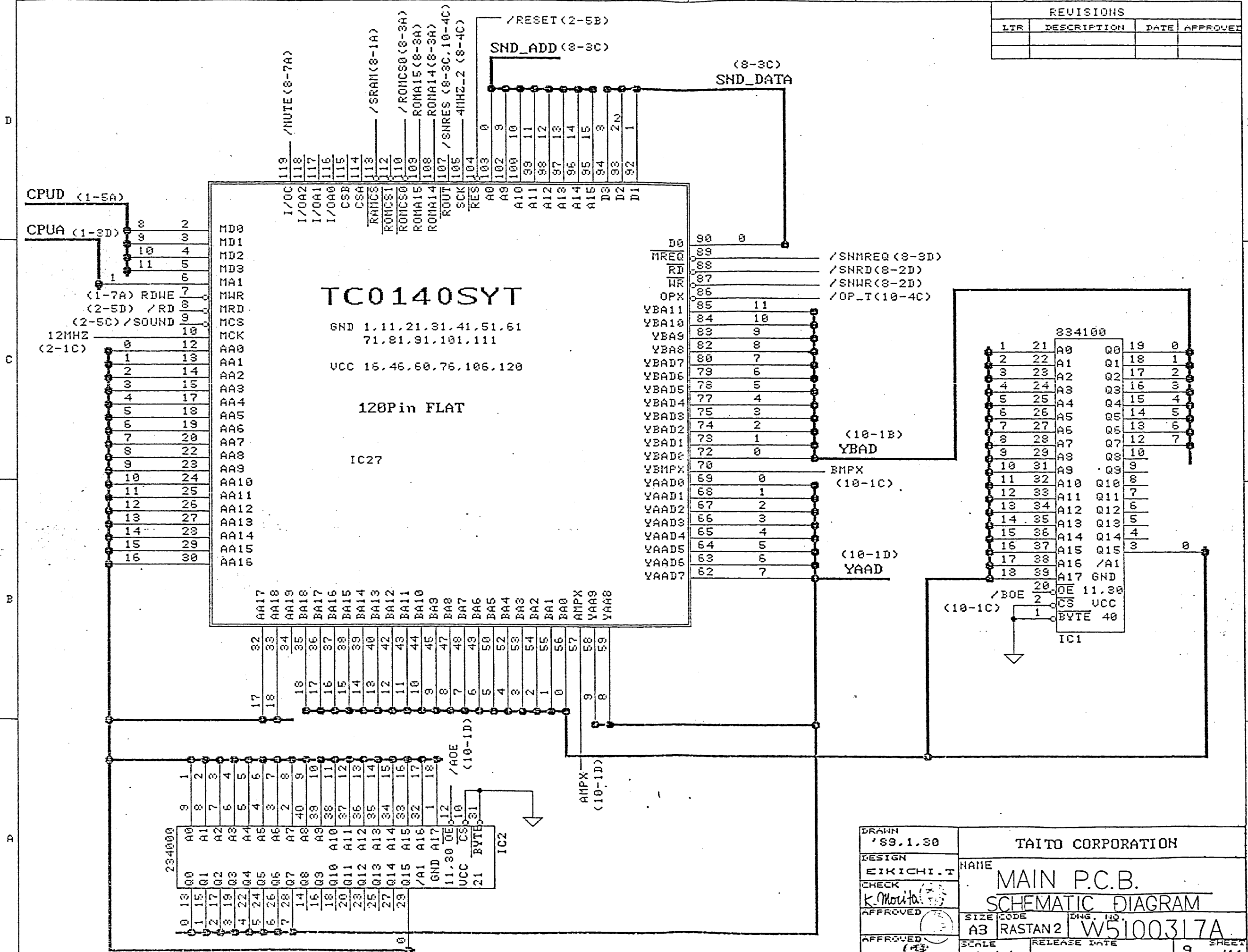
DRAWN '89.1.30	TAITO CORPORATION		
DESIGN EIKICHI, T	NAME	MAIN P.C.B.	
CHECK K. Mahto	SCHEMATIC DIAGRAM		
APPROVED	SIZE CODE A3	ING. NO. RASTAN2	W5100317A
APPROVED	SCALE	RELEASE DATE	7 SHEET

REVISIONS			
LTR	DESCRIPTION	DATE	APPROVED



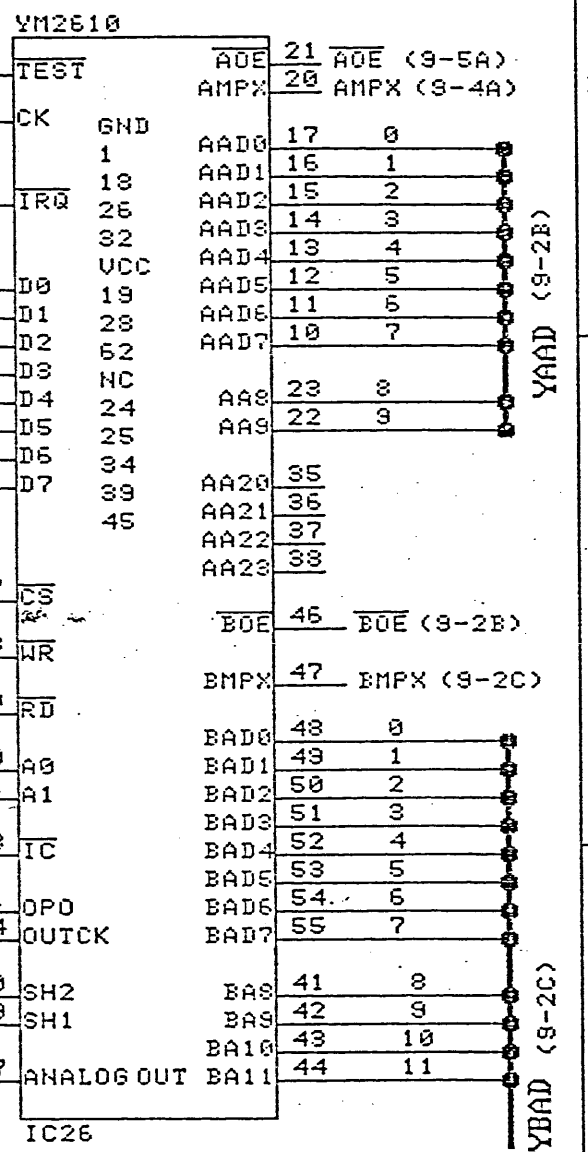
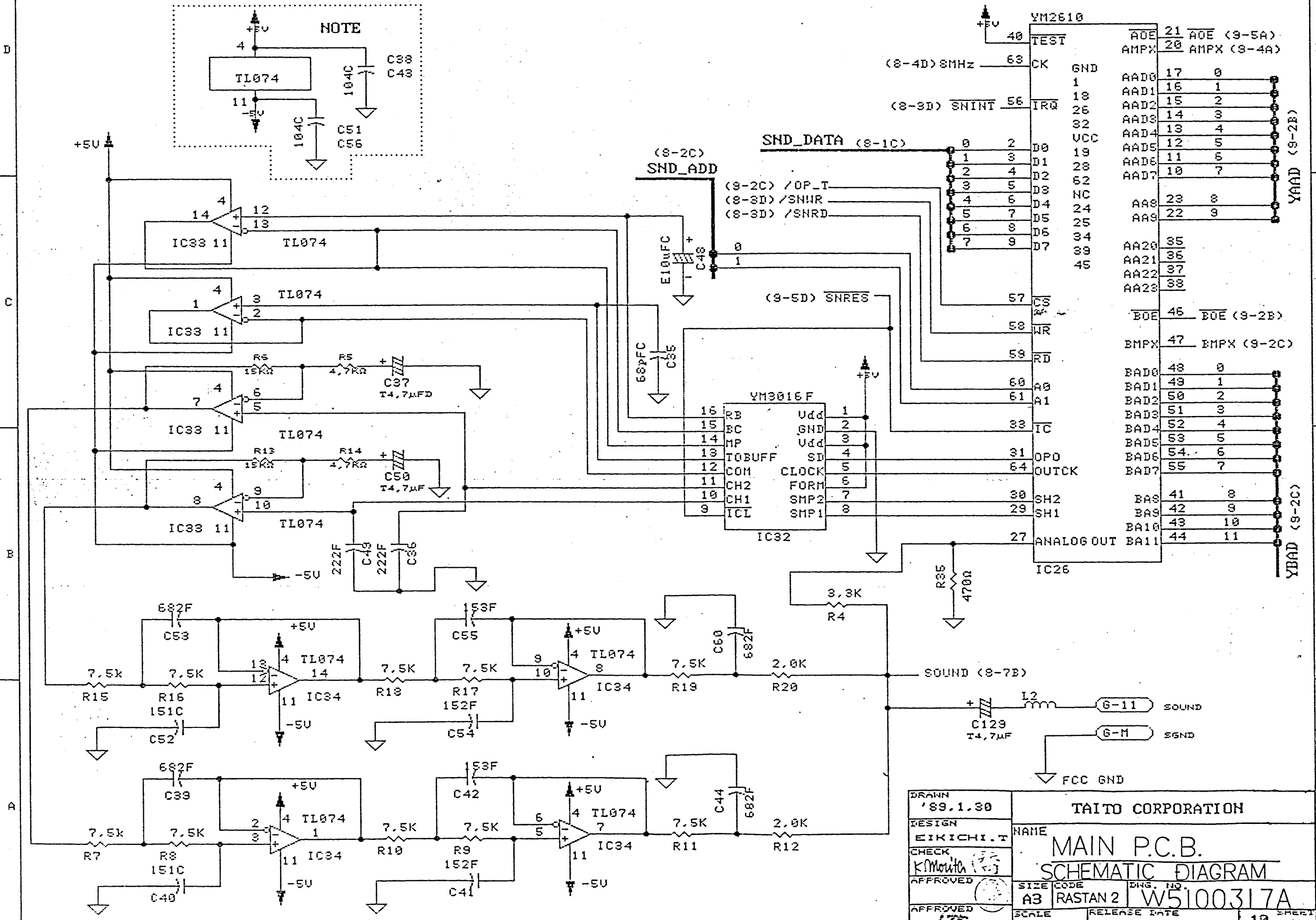
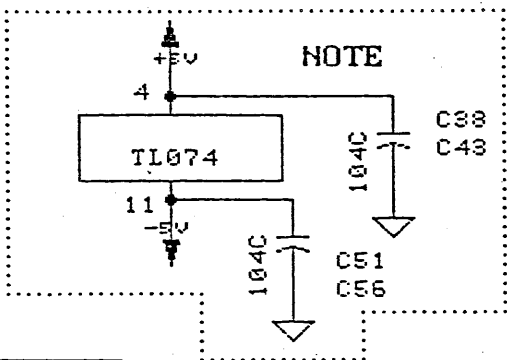
DRAWN '89.1.30	TAITO CORPORATION	
DESIGN EIKICHI.T	NAME MAIN P.C.B.	
CHECK <i>K. Morita</i>	SCHEMATIC DIAGRAM	
APPROVED <i>[Signature]</i>	SIZE CODE A3	DRG. NO. W5100317A
APPROVED <i>[Signature]</i>	SCALE	RELEASE DATE

REVISIONS			
LTR	DESCRIPTION	DATE	APPROVED



DRAWN '89.1.30 DESIGN EIKICHI.T CHECK K. Morita APPROVED APPROVED 1/21	TAITO CORPORATION NAME MAIN P.C.B. SCHEMATIC DIAGRAM SIZE CODE A3 RASTAN2 Dwg. No. W5100317A RELEASE DATE 9/11
--	---

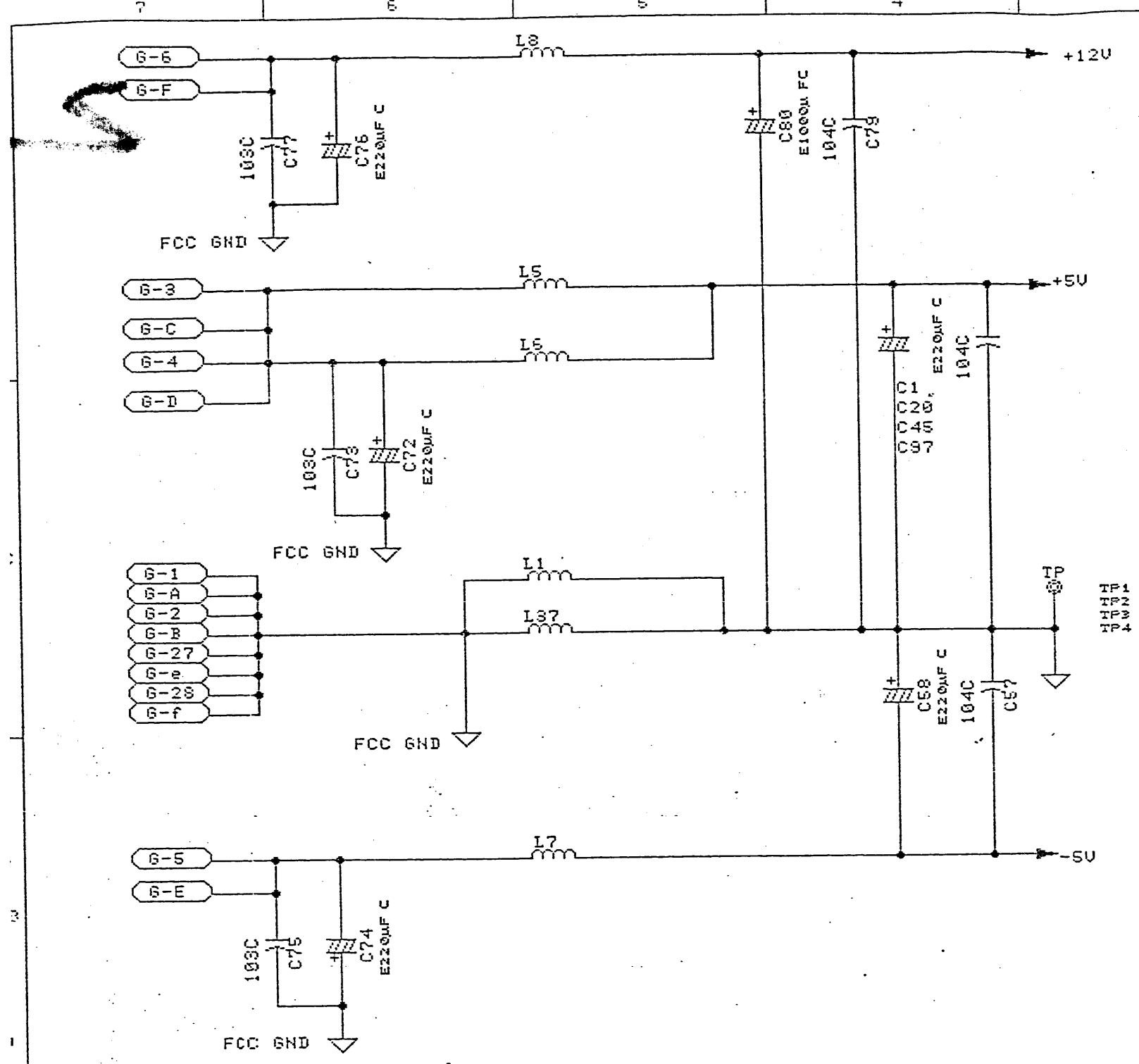
REVISIONS			
LTR	DESCRIPTION	DATE	APPROVED



DRAWN '89.1.30 DESIGN EIKICHI.T CHECK K.Morita APPROVED APPROVED	TAITO CORPORATION NAME MAIN P.C.B. SCHEMATIC DIAGRAM SIZE CODE A3 RASTAN 2 DWS. NO. W5100317A SCALE 1 / 1 RELEASE DATE 10 / 11
---	--

REVISIONS			
LTR	DESCRIPTION	DATE	APPROVED

G CONNECTOR			
AMPLEAF CONNECTOR 28PIN DOUBLE			
PARTS SIDE		SOLDER SIDE	
GND	1	A	GND
GND	2	B	GND
+5V	3	C	+5V
+5V	4	D	+5V
-5V	5	E	-5V
+12V	6	F	+12V
POST	7	H	POST
COIN_METER1	8	J	COIN_METER2
LOCK_OUT1	9	K	LOCK_OUT2
SP(+)	10	L	SP(-)
SOUND	11	M	SGND
RED	12	N	GREEN
BLUE	13	P	COMP
UGND	14	R	SERVICE
TEST	15	S	TILT
COIN1	16	T	COIN2
SEL1	17	U	SEL2
UP1	18	U	UP2
DOWN1	19	W	DOWN2
LEFT1	20	X	LEFT2
RIGHT1	21	Y	RIGHT2
1P SW1	22	Z	2P SW1
1P SW2	23	a	2P SW2
1P SW3	24	b	2P SW3
N.C	25	c	N.C
N.C	26	d	N.C
GND	27	e	GND
GND	28	f	GND



DRWN '89.1.30	TAITO CORPORATION	
DESIGN EIKICHI.T	NAME MAIN P.C.B.	
CHECK K.Morita	SCHEMATIC DIAGRAM	
APPROVED	SIZE CODE A3	DWG. NO. W5100317A
APPROVED	SCALE 1/1	RELEASE DATE 11/11