

MONACO GP™

STAND MODEL

MANUFACTURED BY

Gremlin®/SEGA®

MANUAL PART NO. 420-0445

OWNER'S MANUAL

MONACO GP

Stand Model



MONACO GP Game Description:

When the coins are deposited, the player's red car appears in the lower right corner of the screen. Drive the car using the steering wheel and accelerator pedal, avoiding collisions with the computer cars. Game time is set to a count of 90.

Player goes into extended play when he reaches a score of 2000 points. In extended play, the player wins an extra car; and, one extra car is awarded after every additional 2000 points. The game becomes more difficult after a score of 6000 points. The player's car speeds up and, at 8000 points, the computer cars speed up.

The game's front panel displays your score and the top 5 high scores. Also, each player is given a ranking out of the total numbers of players to date.

Adjustments and Options:

There are 2 game options, located on the #96577A main logic board:

1. VR1- trim pot- adjusts game time
2. SW1- slide switch- selects either 1 or 2 plays per coin.

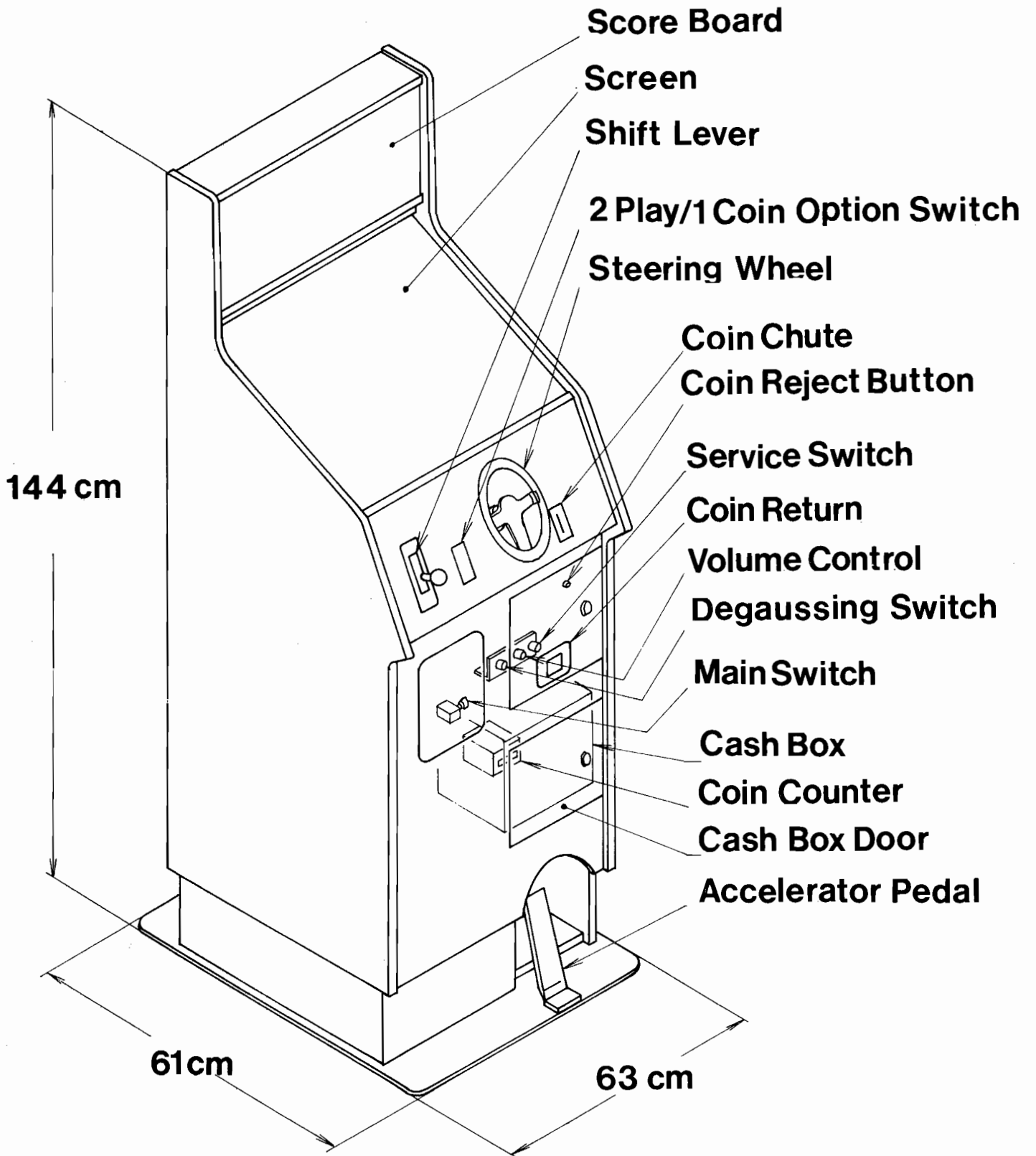
NOTE: On the sound board (#96598) there are 7 trim pots: These are for adjusting the FANFARE sound. They are pre-set by the factory.

Also on this board are 2 switches, SW1 and SW2. SW1 should be set so that positions 1,2, and 3 are OFF. Position 4 should be ON. Switch SW2 should be set to positions 1 and 2 OFF.

Descriptions and Part Numbers of MONACO GP logic boards:

| <u>Logic board</u> | <u>Part Number Stamped on Board</u> |
|----------------------|-------------------------------------|
| Main logic, A | 96577-P |
| Main logic, B | 96578-P |
| Sound (Oscillator) | 96598-P |
| Display board | 96597-P |
| Display board | M0-4202 |
| Accelerator board | 96599-P |
| Edge connector board | 96620-P |
| Edge connector board | 96624-P |

BASIC CONTROLS & DIMENSIONS



HELPFUL HINTS

DEGAUSSING THE CRT

Sometimes changing the location, or direction of the machine will cause a color change in the CRT. If this occurs, depress the DEGAUSSING SWITCH to correct.

DISASSEMBLING THE POWER UNIT

The power unit, located on the bottom of the unit, can be removed by unscrewing the three (3) butterfly (M5) bolts; and, disconnecting it from the rail before lifting out.

DISASSEMBLING THE STEERING UNIT

Remove the connecting plug and unhook the side hooks on each side of the unit. The steering unit will come out with the front panel.

REMOVING THE TV MONITOR

Remove the front panel and front glass. Loosen the four (4) mounting screws and remove all connections very carefully. The monitor is ready to pull out.

RESETTING THE SYSTEM

Occasionally, the signals will not reset when powering up. If this occurs, turn the power on/off a few times to reset the signal to the monitor.

FUSE REPLACEMENT

Always replace any fuse with the proper replacement of the same identical value.

2 PLAY/1 COIN OPTION

Remove the Front Panel Cover Plate and replace Panel Switch with M0-0019 (Instruction & Switch Assy).

Reconnect harness following wiring diagram.

Drill a 1.5mm hole **over** the old hole on the Denominational Plate. Add new plate

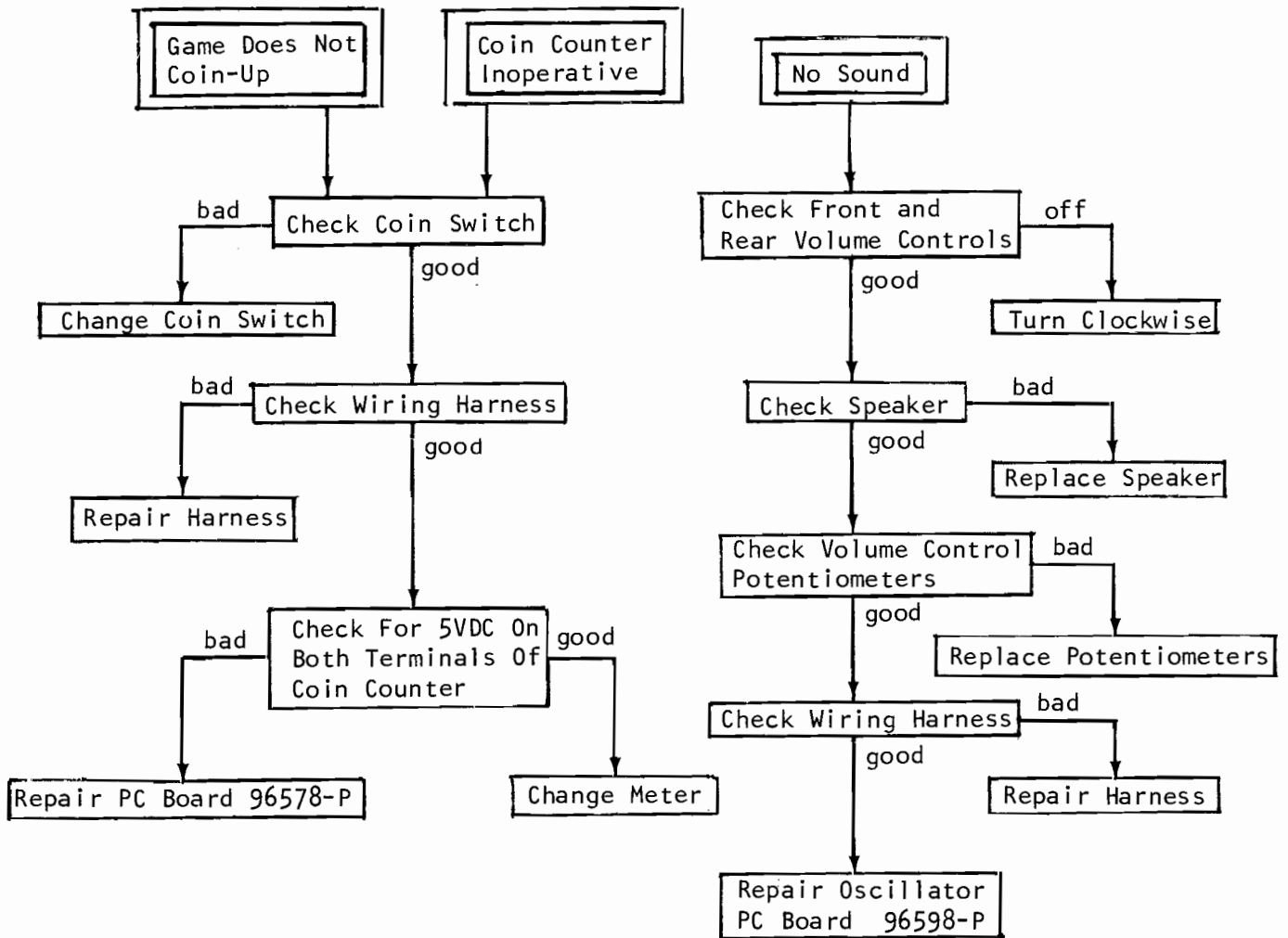
HELPFUL HINTS (cont.)

2 PLAY/1 COIN OPTION (cont.)

(177-013) with Parker Screws 1.5 x 4.5,
as supplied.

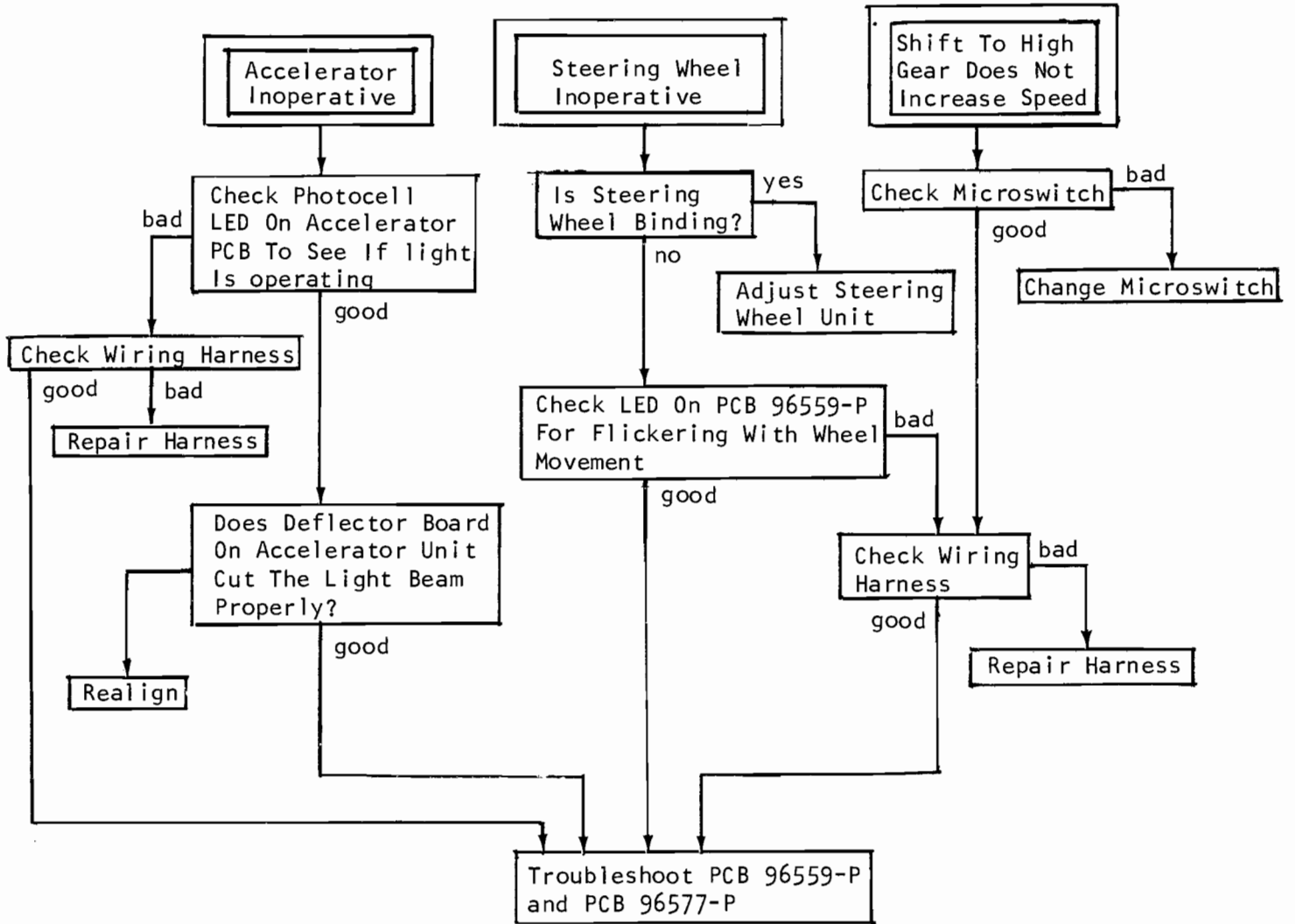
Set switch position to 2 PLAY on main
PCB 96577-P.

TROUBLESHOOTING
CHART 1

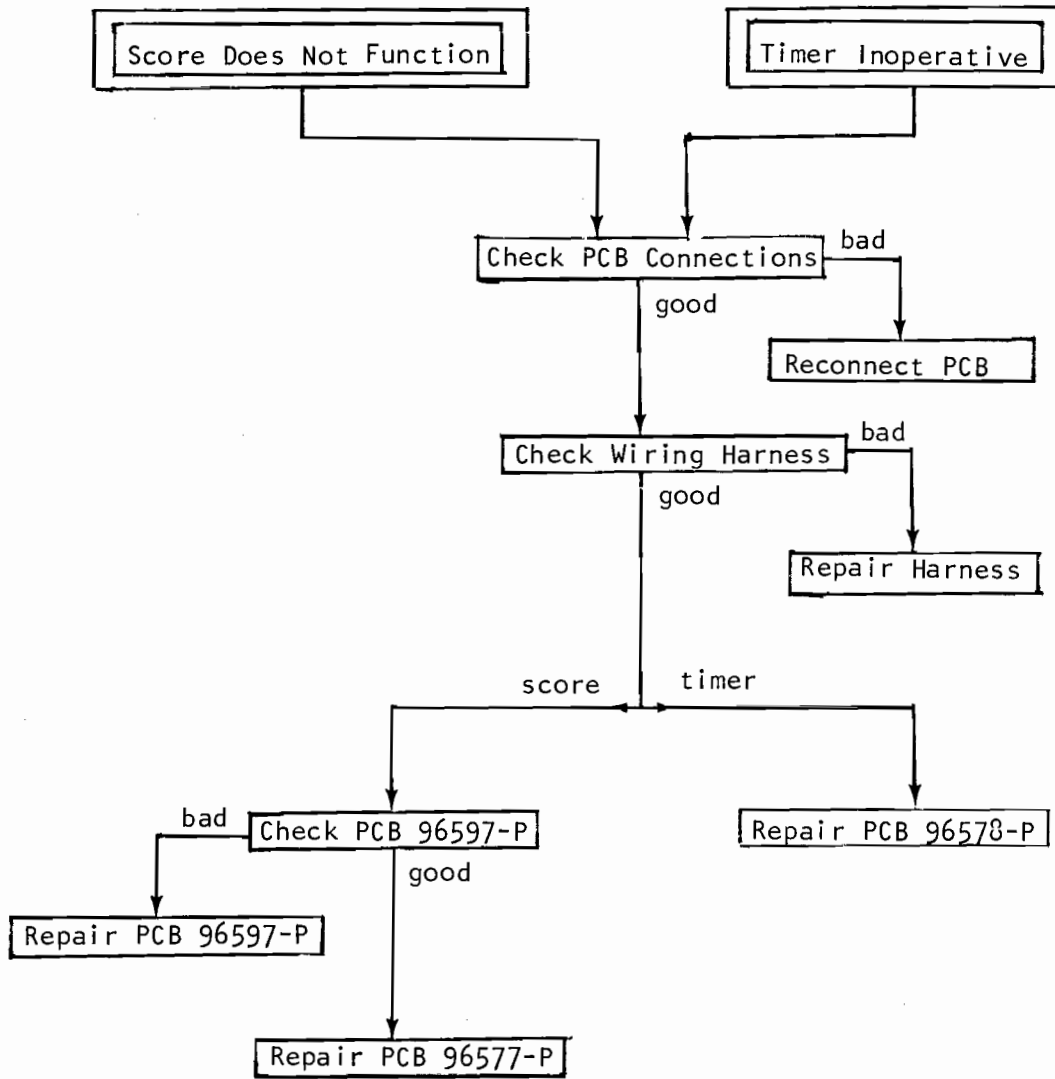


TROUBLESHOOTING

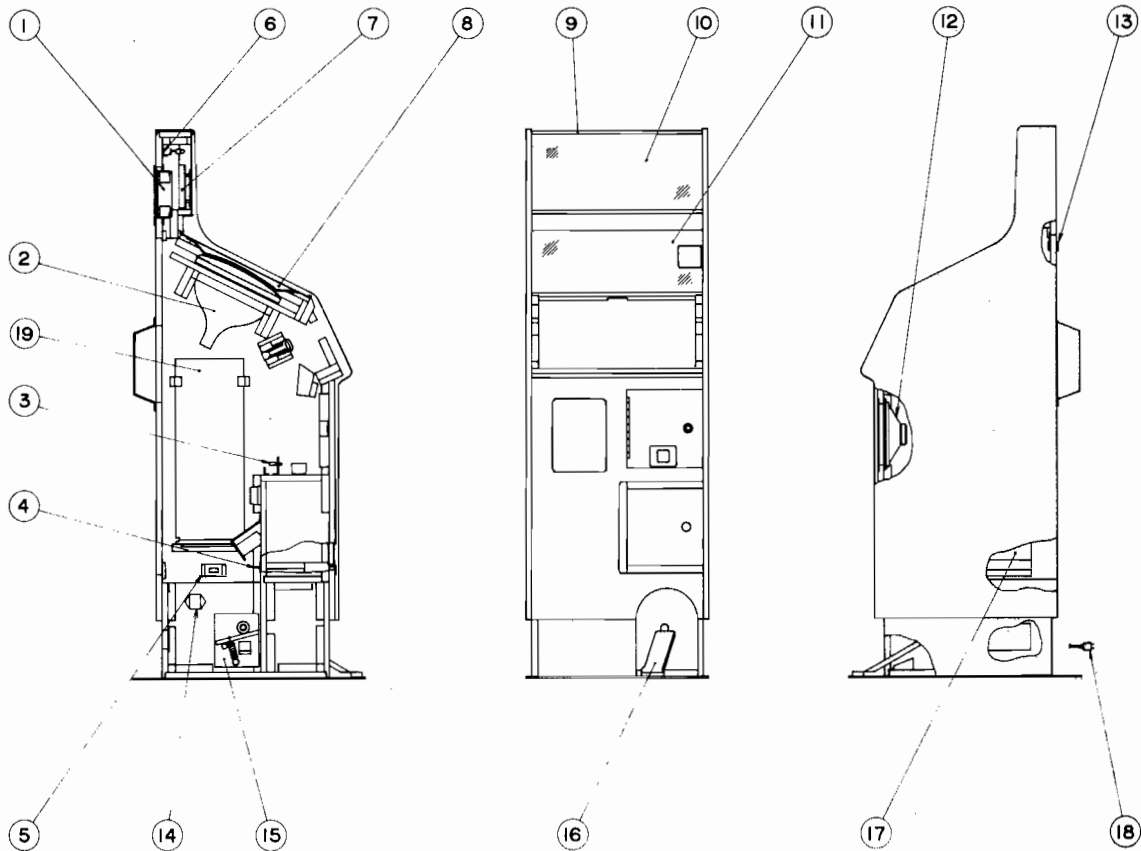
CHART 2



TROUBLESHOOTING
CHART 3

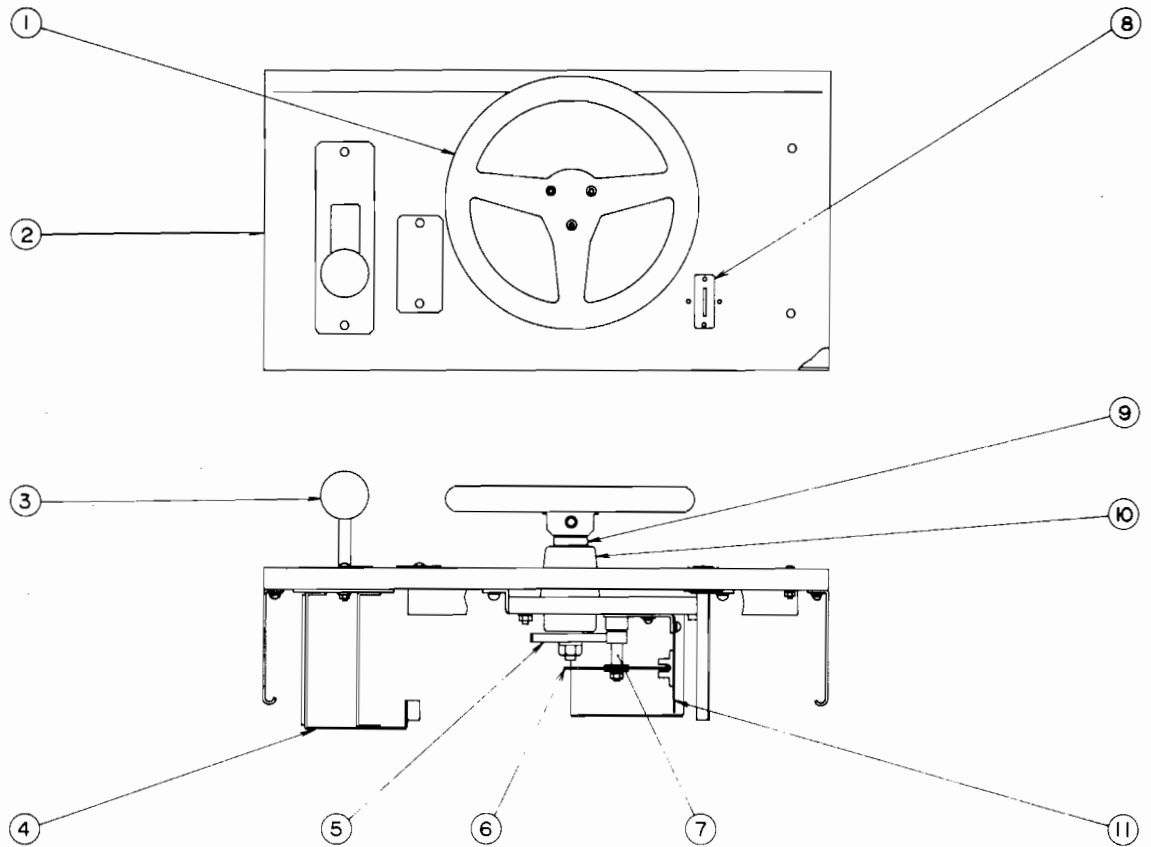


CABINET ACCESSORY ASSY



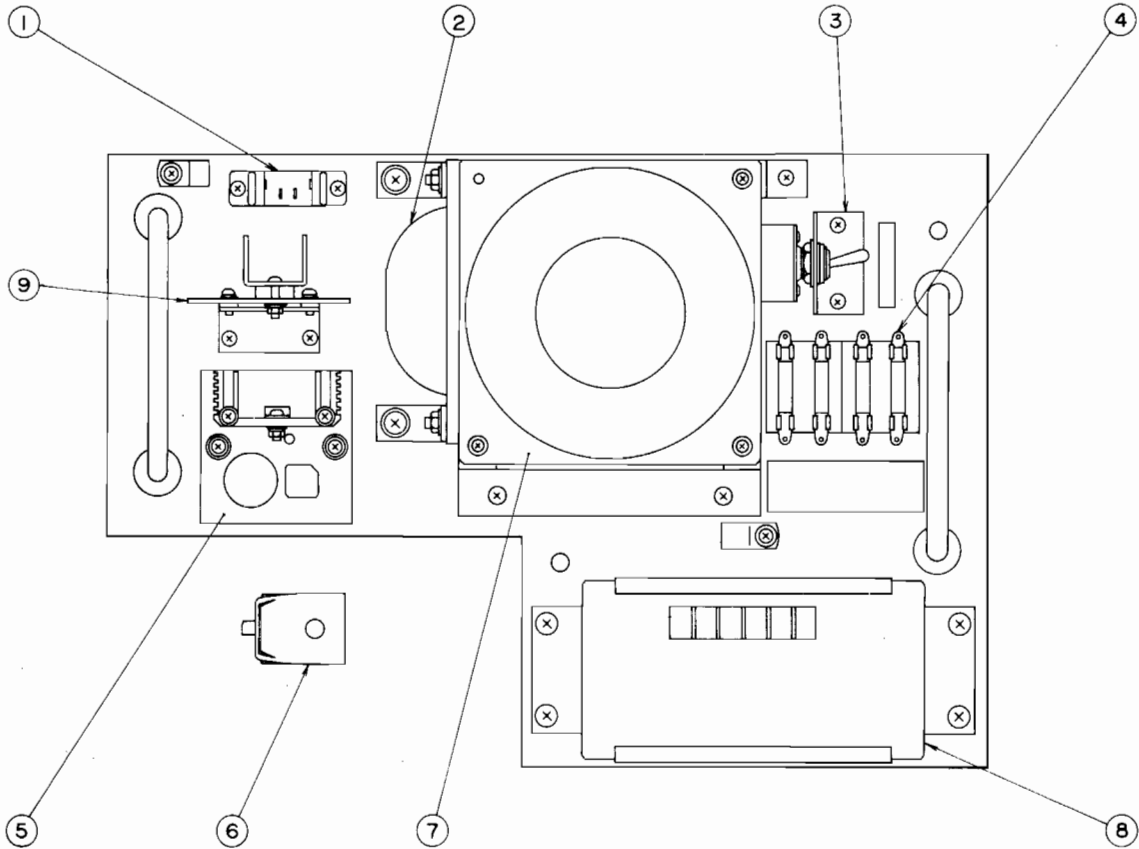
| Item | Part No. | Description |
|------|----------|---------------------------------------|
| 1 | S-96626 | Axial Flow Fan, AC100V |
| 2 | CI-20006 | Color Display Assy, 14H, 90 |
| 3 | S-96477 | Push Button Switch, 2T. |
| | S-93157 | Volume Control, B-25K Ω |
| 4 | S-91654 | Rectifier, Silicon Diode |
| 5 | S-90834 | Switch, Push Button Type |
| 6 | S-94428 | Bulb, 6.3V, 0.25A |
| 7 | MO-42001 | Score Board Assy |
| | S-96600 | L.E.D., Numeric Display, Red |
| | S-96679 | L.E.D., Numeric Display, 2 Digit, Red |
| 8 | DO-1021 | Color TV Mask, 14 |
| 9 | MO-1032 | Ornament Frame |
| 10 | MO-1033 | Top Glass |
| 11 | MO-1064 | Front Glass |
| | MO-1060 | Play Instructions Plate |
| 12 | S-91359X | Speaker, 187x130mm, 8 Ω |
| 13 | LS-1064 | Ace Cylinder Lock, L.S. Type |
| 14 | S-96634 | Noise Filter, AC 250V, 4A |
| 15 | MO-1016 | Accelerator Pedal Assy |
| | PC-1206 | Photocoupler Unit, A |
| | PC-1207 | Photocoupler Unit, B |
| | SG-1112 | Accelerator Pedal Shaft |
| | GP-1040 | Shoulder Screw |
| | GP-1042 | Extension Spring |
| | FL-3031 | Extension Spring |
| | DH-3318 | Shoulder Screw |
| 16 | S-80807 | Accelerator Pedal |
| 17 | 96577-P | IC Board Assy, Monaco GP, A |
| | 96578-P | IC Board Assy, Monaco GP, B |
| | 96598-P | Oscillator, Monaco GP |
| 18 | 90759X | Cable & Plug Assy |
| 19 | 96597-P | Score Display IC Board Assy |

CONTROL PANEL ASSY



| Item | Part No. | Description |
|------|----------|-----------------------------|
| 1 | MO-2021 | Steering Handle |
| 2 | MO-2018 | Front Panel |
| 3 | MP-1025 | Handle Ball, Red |
| 4 | MO-2023 | Transmission Assy |
| | RR-1012 | Handle Assy |
| | SH-3022 | Cam Assy |
| | 2P-11600 | Rubber Bumper |
| | 2P-11601 | Rubber Retainer |
| | FC-2541 | Compression Spring |
| | S-80216 | Steel Ball, 10.3188ø |
| | S-91421 | Switch, Micro Type |
| 5 | MO-2009 | Spur Gear, 60T |
| 6 | MO-2007 | Disc |
| 7 | MO-2008 | Spur Gear, 14T |
| 8 | PT-0212 | Coin Entry Plate, ¥100 |
| 9 | MO-2020 | Steering Wheel Shaft |
| 10 | MO-2004 | Housing |
| 11 | 96599-P | IC Board Assy, Monaco GP, C |

POWER SUPPLY ASSY



| Item | Part No. | Description |
|------|----------|--|
| 1 | S-94441 | Rectifier, Silicon Diode |
| 2 | 96627 | Power Transformer, 7V, 11V, 16V, 100-120V |
| 3 | S-96395 | Switch Toggle, SP-DT, 15A |
| 4 | S-90644 | Fuse, 2A |
| | S-91941 | Fuse, 4A |
| | S-91151 | Fuse, 8A |
| 5 | MO-4002 | Regulator Unit, DC12V, 20V |
| 6 | S-96262 | AC Cord, Connector Body, Flat Type, 125V-15A |
| 7 | S-96626 | Axial Flow Fan, AC100V |
| 8 | S-96638 | Switching Regulator, AC100V, 5V, 15A |
| 9 | BC-4603X | Power Amplifier, 5W |

TV MONITOR ADJUSTMENTS

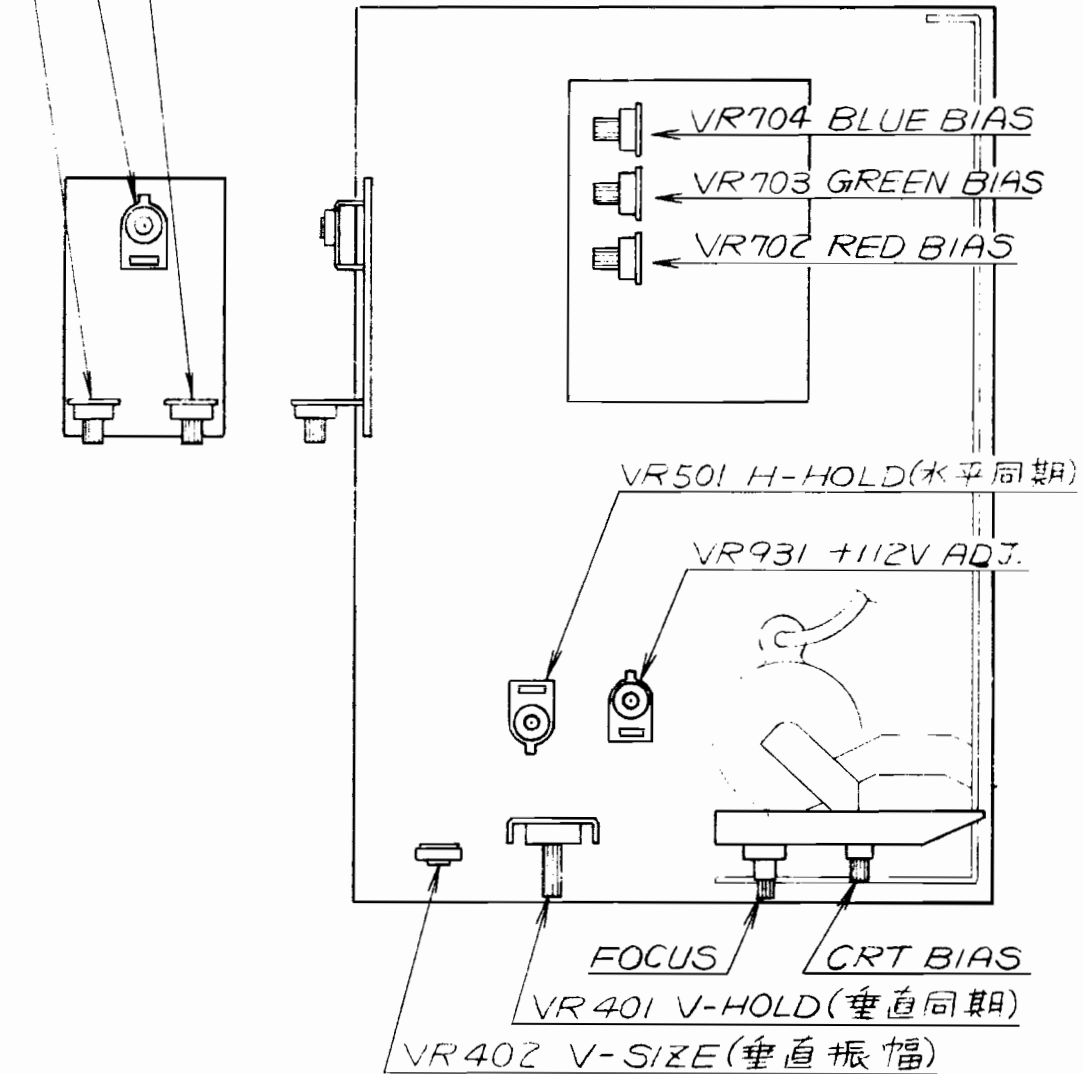
| | | |
|---------------|------------|---|
| SUB-BRIGHT | R408 | Monitor brightness |
| HORIZ WIDTH | L601 (CRT) | |
| VERT WIDTH | R517 (CRT) | |
| VERT POSITION | K502 | Moves center to right |
| | K501 | Center |
| | K503 | Moves center to left |
| VERT HOLD | R515 (CRT) | |
| HORIZ HOLD | R616 (CRT) | |
| B+ | R707 | Adjustable from 90v to 105v |
| RED DRIVE | R807 | |
| BLUE DRIVE | R809 | |
| RED BIAS | R813 | These three adjustments interact to balance white and set halftones and gray balance. Red and Blue Drive controls interact also. |
| GREEN BIAS | R814 | |
| BLUE BIAS | R815 | |
| SCREEN ADJUST | R824 | Increases brightness and interacts with white balance. After white balance adjustments, the beam current setting (R301 dc voltage) must not exceed -7.0v. |
| FOCUS | | Adjust each time brightness is altered. |

カラーモニターの調整
TV VOLUME ADJUSTMENT INSTRUCTIONS

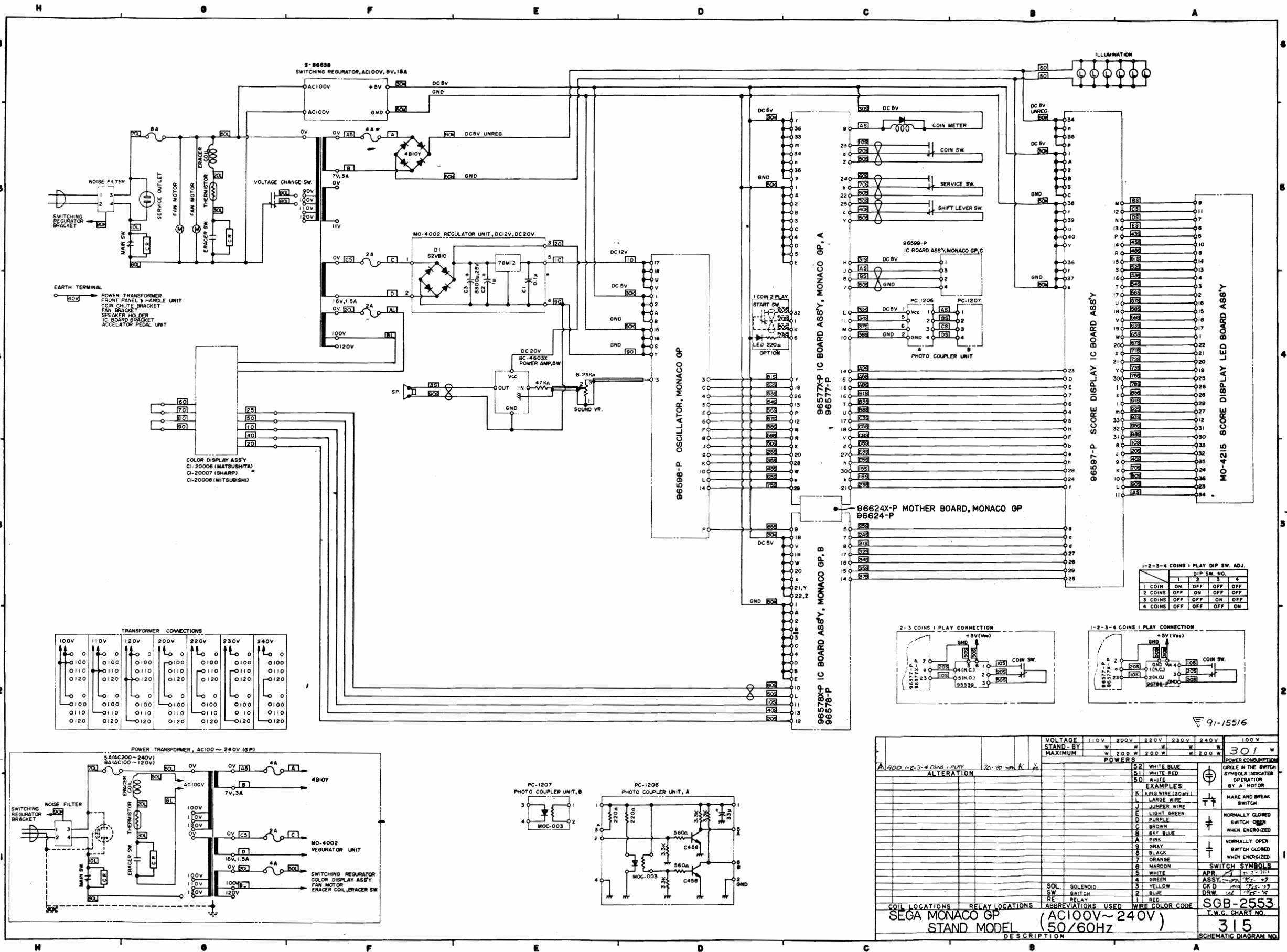
VR463 UPPER PINCUSHION CONTROL (上側系巻歪補正)

VR461 BOTH SIDE PINCUSHION CONTROL (両側系巻歪補正)

VR462 LOWER PINCUSHION CONTROL (下側系巻歪補正)

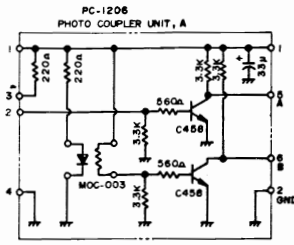
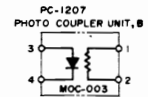
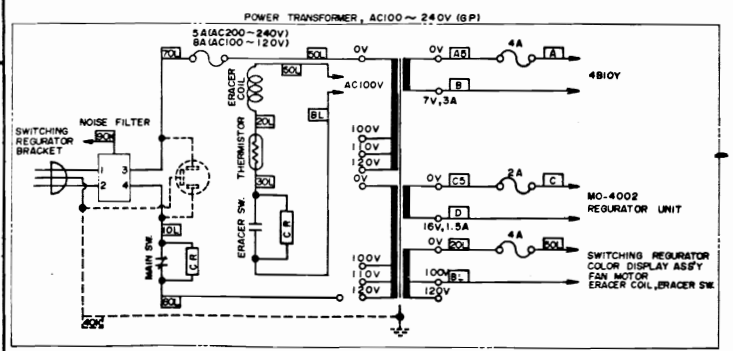
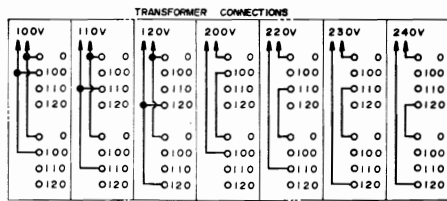


S-9659Z-P COLOR DISPLAY, 14H TYPE
(MITSUBISHI 919C049-3)



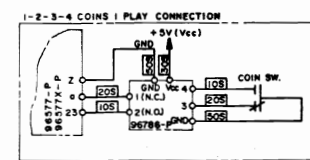
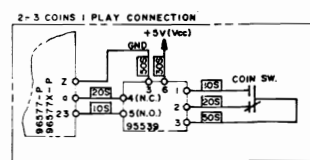
EARTH TERMINAL
 POWER TRANSFORMER
 FRONT PANEL HANDLE UNIT
 COIN CHUTE BRACKET
 FAN BRACKET
 SPEAKER HOLDER
 IC BOARD BRACKET
 ACCELERATOR PEDAL UNIT

COLOR DISPLAY ASSY
 C1-20006 (MATSUSHITA)
 C1-20007 (SHARP)
 C1-20008 (MITSUBISHI)



1-2-3-4 COINS 1 PLAY DIP SW. ADJ.

| DIP SW. NO. | 1 | 2 | 3 | 4 |
|-------------|-----|-----|-----|-----|
| 1 COIN | ON | OFF | OFF | OFF |
| 2 COINS | OFF | ON | OFF | OFF |
| 3 COINS | OFF | OFF | ON | OFF |
| 4 COINS | OFF | OFF | OFF | ON |



9-15516

| VOLTAGE | 110V | 200V | 220V | 230V | 240V | 100V |
|----------|----------|----------|----------|----------|----------|-------------------|
| STAND-BY | W | W | W | W | W | 301 W |
| MAXIMUM | W 2.00 W | W 2.00 W | W 2.00 W | W 2.00 W | W 2.00 W | POWER CONSUMPTION |

ALTERATION

| NO. | DESCRIPTION | DATE |
|-----|--------------------------|--------------|
| 1 | ADD 1-2-3-4 COINS 1 PLAY | 11-20-80 K X |

COIL LOCATIONS RELAY LOCATIONS ABBREVIATIONS USED WIRE COLOR CODE

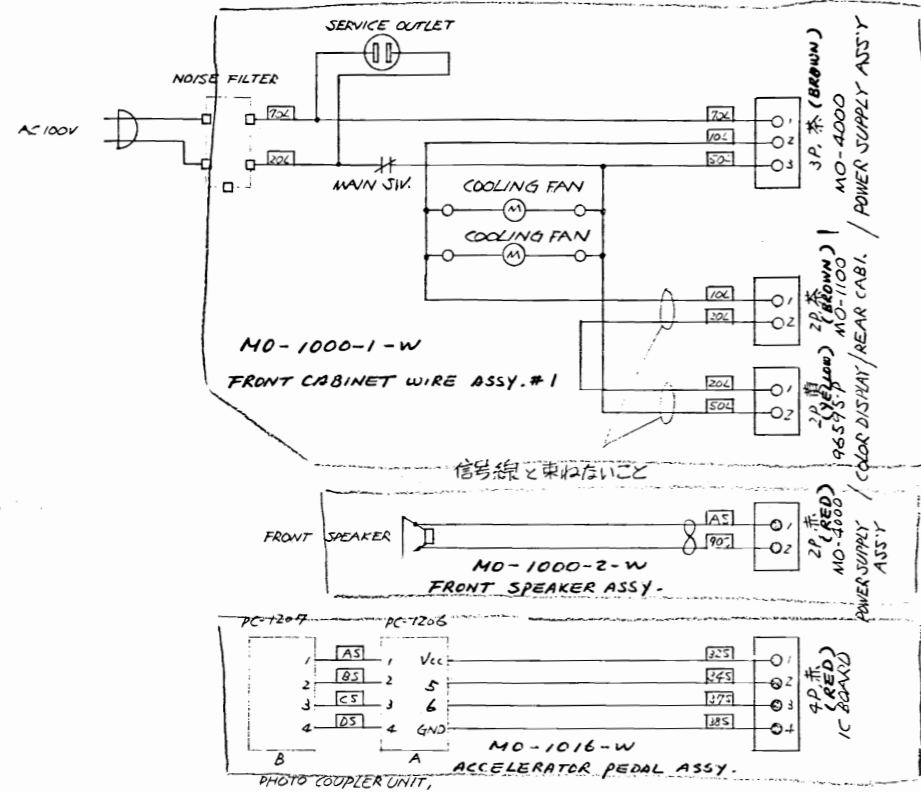
SEGA MONACO GP (AC100V~240V) STAND MODEL 50/60HZ

SWITCH SYMBOLS

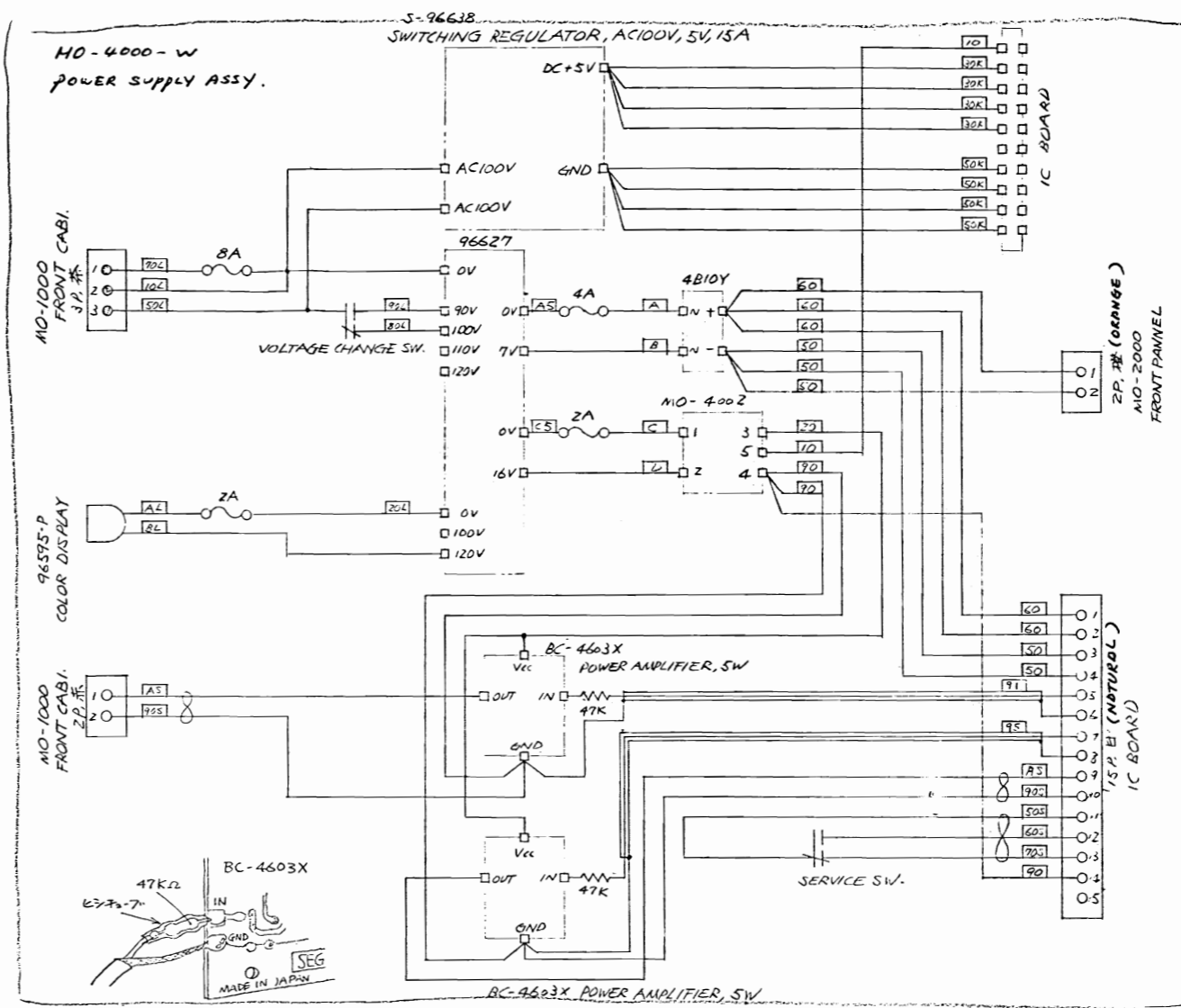
| NO. | DESCRIPTION |
|-----|-------------------|
| 52 | WHITE BLUE |
| 51 | WHITE RED |
| 50 | WHITE |
| K | KING WIRE (SHORT) |
| L | LARGE WIRE |
| J | JUMPER WIRE |
| E | LIGHT GREEN |
| D | PURPLE |
| C | BROWN |
| A | SKY BLUE |
| B | PINK |
| 9 | GRAY |
| 8 | BLACK |
| 7 | ORANGE WIRE |
| 6 | MAROON |
| 5 | WHITE |
| 4 | GREEN |
| 3 | YELLOW |
| 2 | BLUE |
| 1 | RED |

SOB-2553 T.W.G. CHART NO. 315 SCHEMATIC DIAGRAM NO.

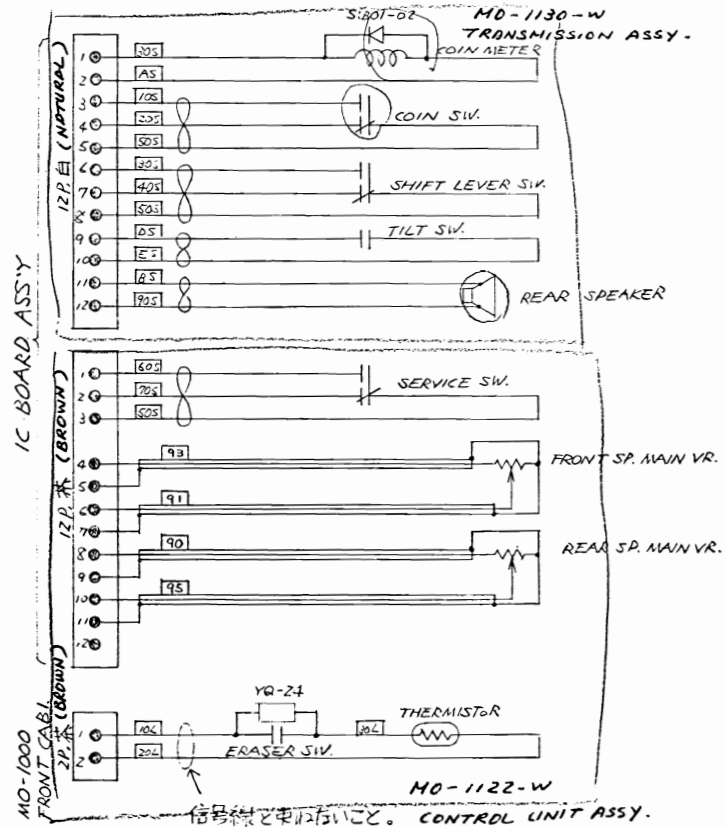
MO-1000 FRONT CABINET ACCESSORY ASS'Y



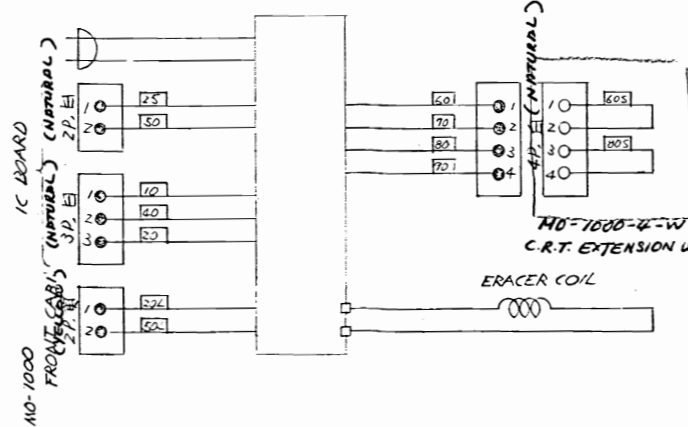
MO-4000 POWER SUPPLY ASS'Y



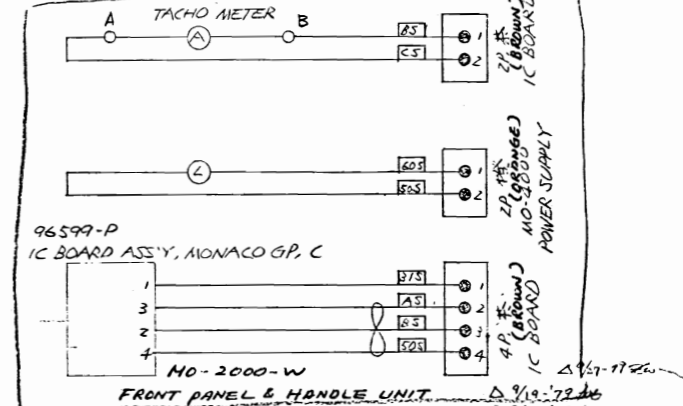
MO-1100 REAR CABINET ACCESSORY ASS'Y



96595-P COLOR DISPLAY ASS'Y



MO-2000 FRONT PANNEL & HANDLE ASS'Y

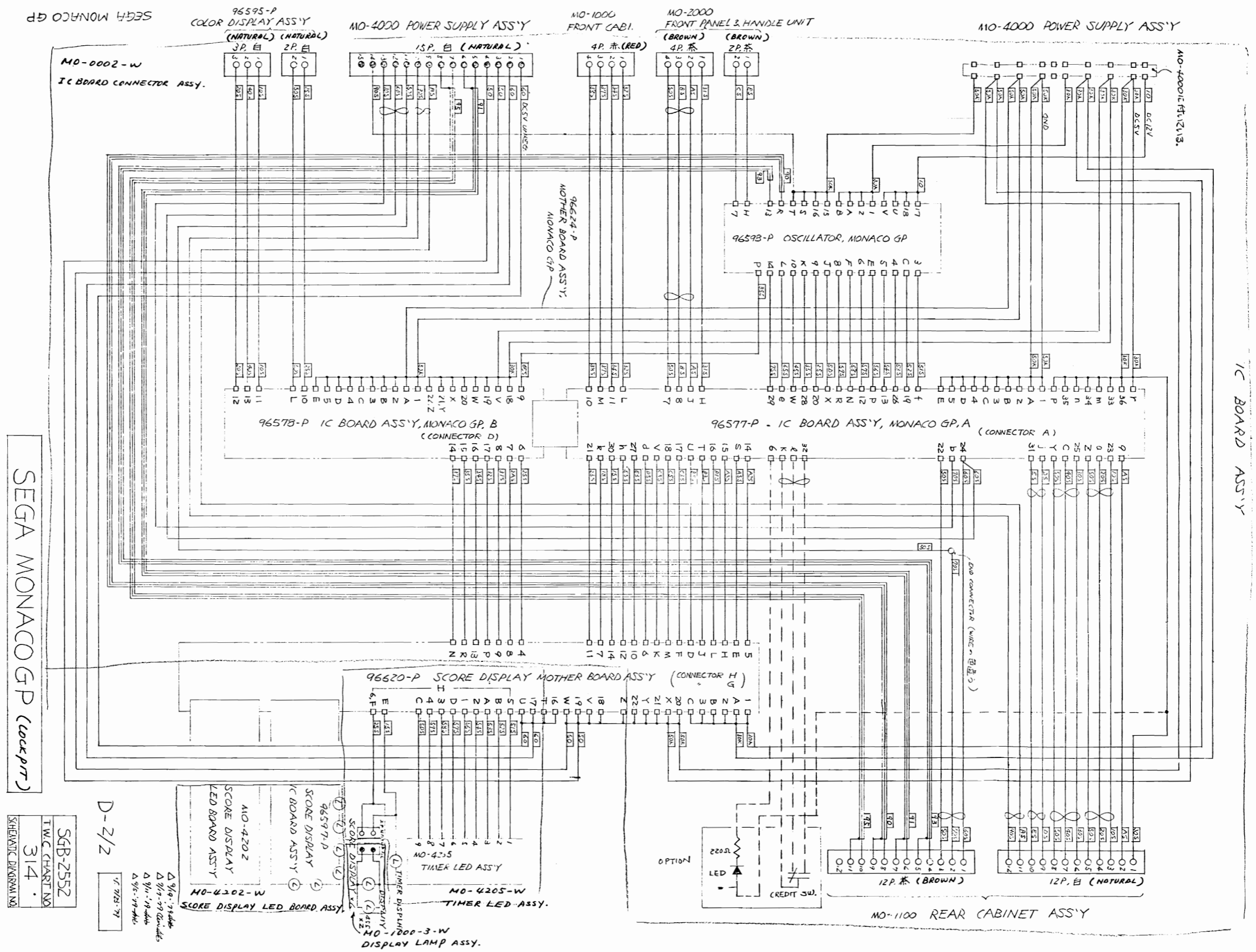


SEGA MONACO GP (COCKPIT)

D-1/2

SGB-2552
T.W.C. CHART NO.
314
SCHEMATIC DIAGRAM NO.

Δ 9/18-77
Δ 9/18-79
Δ 9/17-77
Δ 4/10-72
Δ 4/1-72
Δ 1/12-77



SEGA MONACO GP (LOCKPIT)

IC BOARD ASS'Y

SGB-2552
 T.W.C. CHART NO.
 314
 SCHEMATIC DIAGRAM NO.

D-2/2

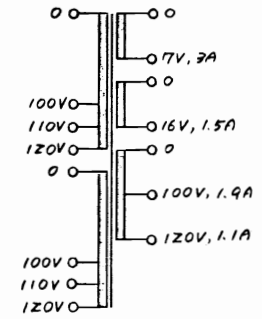
Δ 9/10-'78 dkk
 Δ 9/14-'79 dkk
 Δ 9/14-'79 dkk
 Δ 9/15-'79 dkk

MO-4202-W SCORE DISPLAY LED BOARD ASS'Y
 MO-4205-W TIMER LED ASS'Y
 MO-1200-3-W DISPLAY LAMP ASS'Y

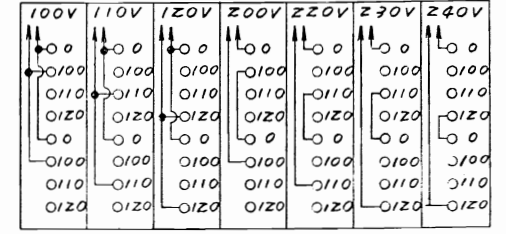
| | |
|-------------|------------|
| MACHINE | SUB-ASS'Y |
| | LIST-2150Z |
| ALTERATIONS | |
| REMODEL | |

註：本圖標記之尺寸均按ISO規格為準

接線圖



接線方法

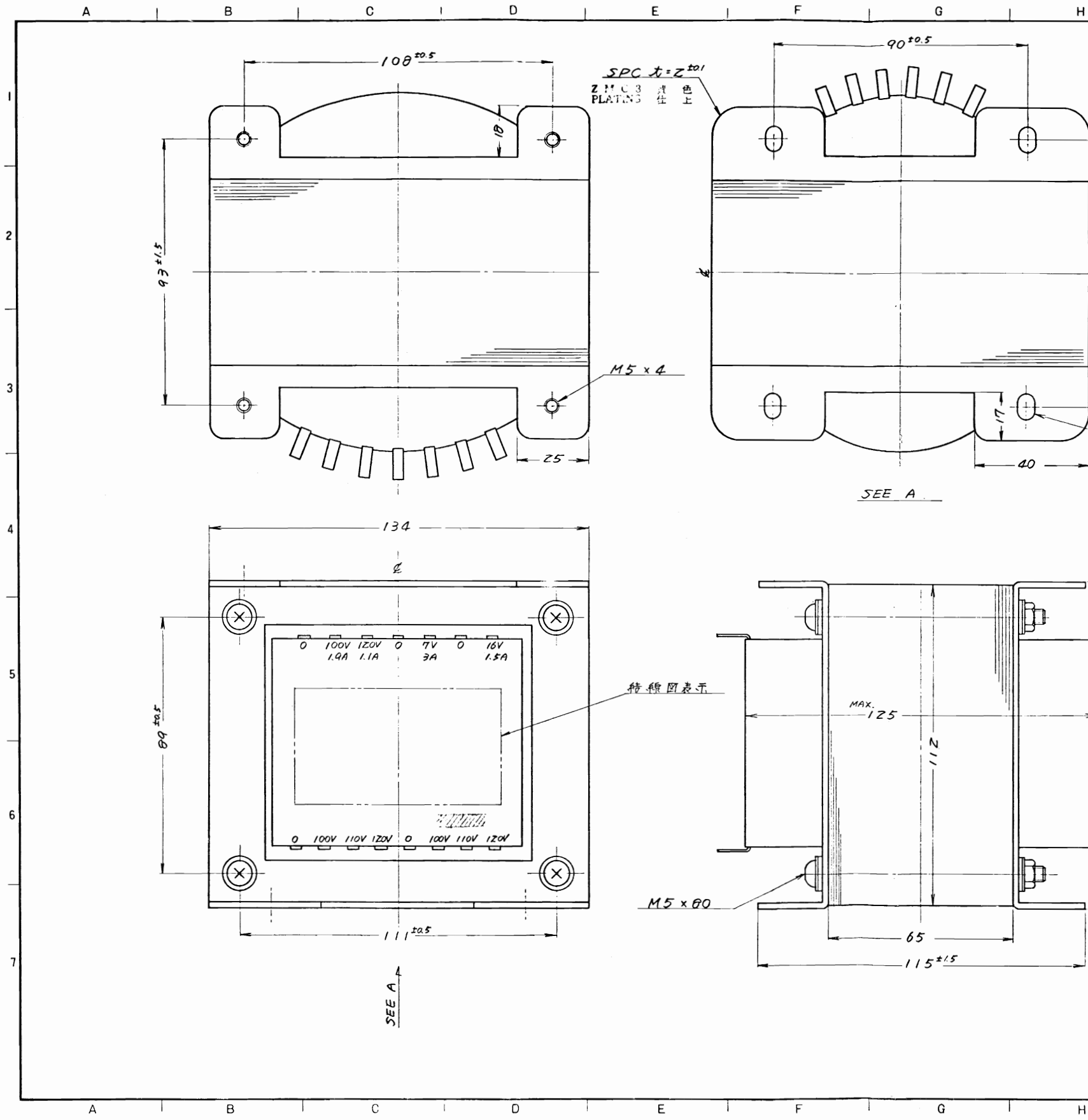


仕様

- 1 種 单相乾式自冷型
- 2 出力容量 367VA
- 3 定額二次電圧 100, 110, 120, 200, 220, 230, 240V
- 4 定額二次電流 1.9A, 1.1A, 1.0A, 1.20A
- 5 周波数 50-60Hz
- 6 時間定額 連続
- 7 絶縁種類 A種
- 8 絶縁抵抗 DC500V×11=于100MΩ以上
- 9 絶縁耐力 AC1500V=于1分間耐エルト
- 10 温度上昇 絶縁法=于60deg以下
- 11 電圧変動 無負荷 7.35V以下急降 3A 7V以上
 " 16.8V " 1.5A 16V以上
 " 10.5V " 1.9A 100%以上
 " 12.6V " 1.1A 120V以上
- 12 安全規格 電気用品取締法に満足エルト

SEGA enterprises Ltd. 製造

| | | | | | |
|-----------------------------------|-------------|---|--------|--------------|-------------|
| SEGA enterprises Ltd. | | THIS DRAWING WILL IN NO WAY BE COPIED, REPRODUCED OR TRANSMITTED IN ANY FORM OR BY ANY MEANS, WITHOUT THE WRITTEN PERMISSION OF SEGA ENTERPRISES LTD. | | 許可なく複製 複製等厳禁 | |
| LIMITS UNLESS OTHERWISE SPECIFIED | | 3RD QUAT. PROJ. DRAWINGS | | APR. 23 1979 | |
| ±1 | | SCALE | 1/1 | ASSY BY | 22 1979 |
| | | DIM. IN | mm | CK'D | 22 1979 |
| | | | | DRW. | cel 1979-79 |
| MATERIAL | HEAT TREAT. | FINISH | REMARK | | |
| POWER TRANSFORMER, 100-240V (GP) | | | | 96741 | |
| DESCRIPTION | | | | PART NO | |



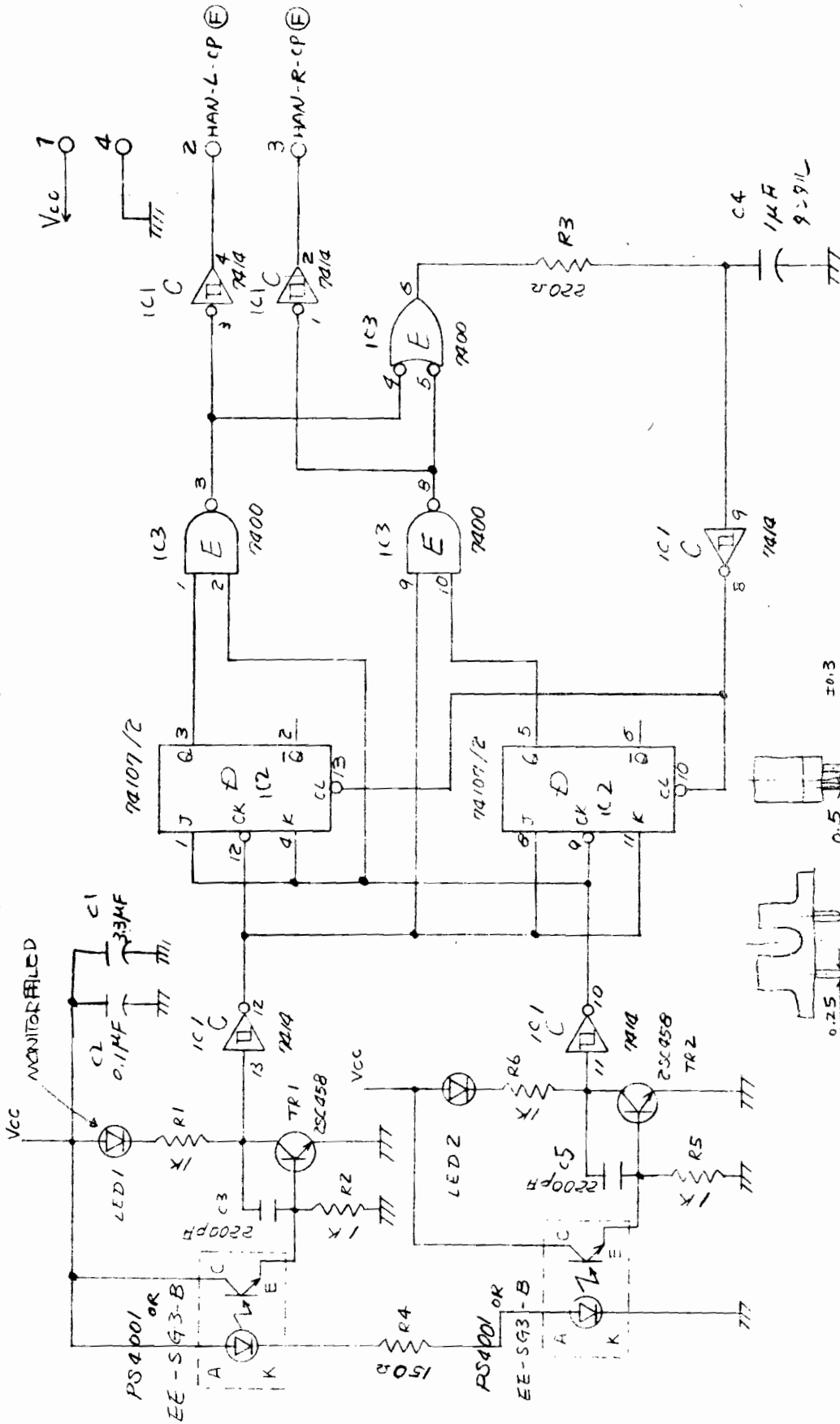
A B C D E F G H J K L

1
2
3
4
5
6
7

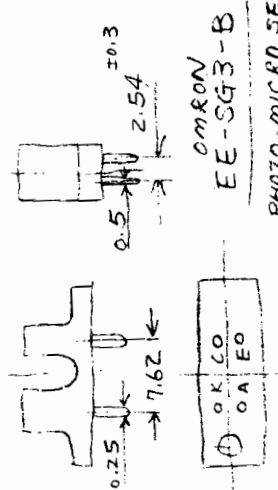
1
2
3
4
5
6
7

HANDLE, LOGIC DIAGRAM

(ACCELERATOR BOARD)

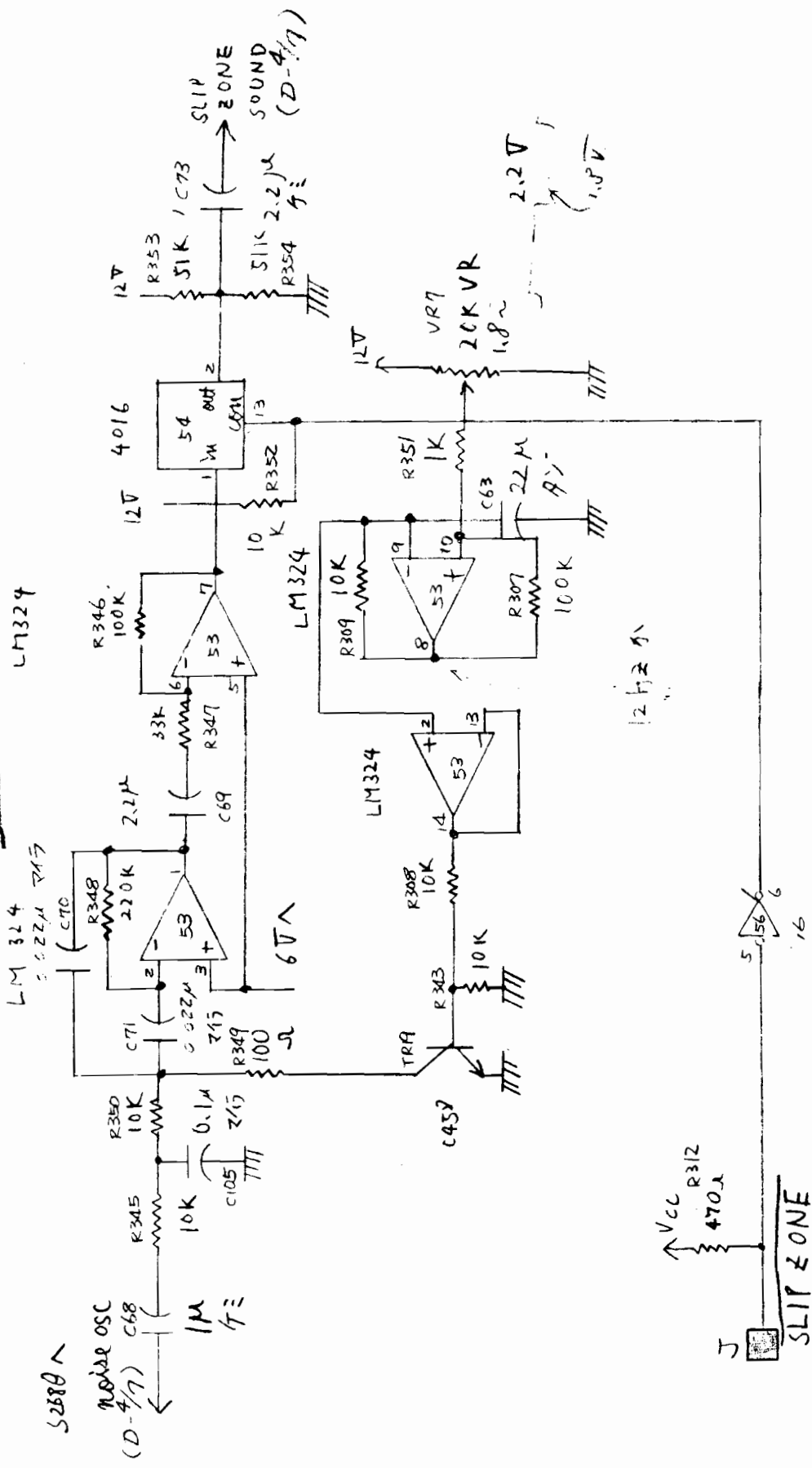


96599-P
IC BOARD ASSY

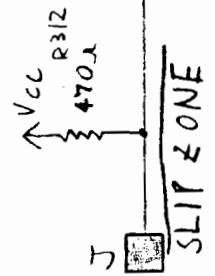


Omron
EE-SG3-B
PHOTO-MICRO SENSOR

SLIP ZONE SOUND



LM324
LM324
LM324
96598-P (D-1/7) OSCILLATOR

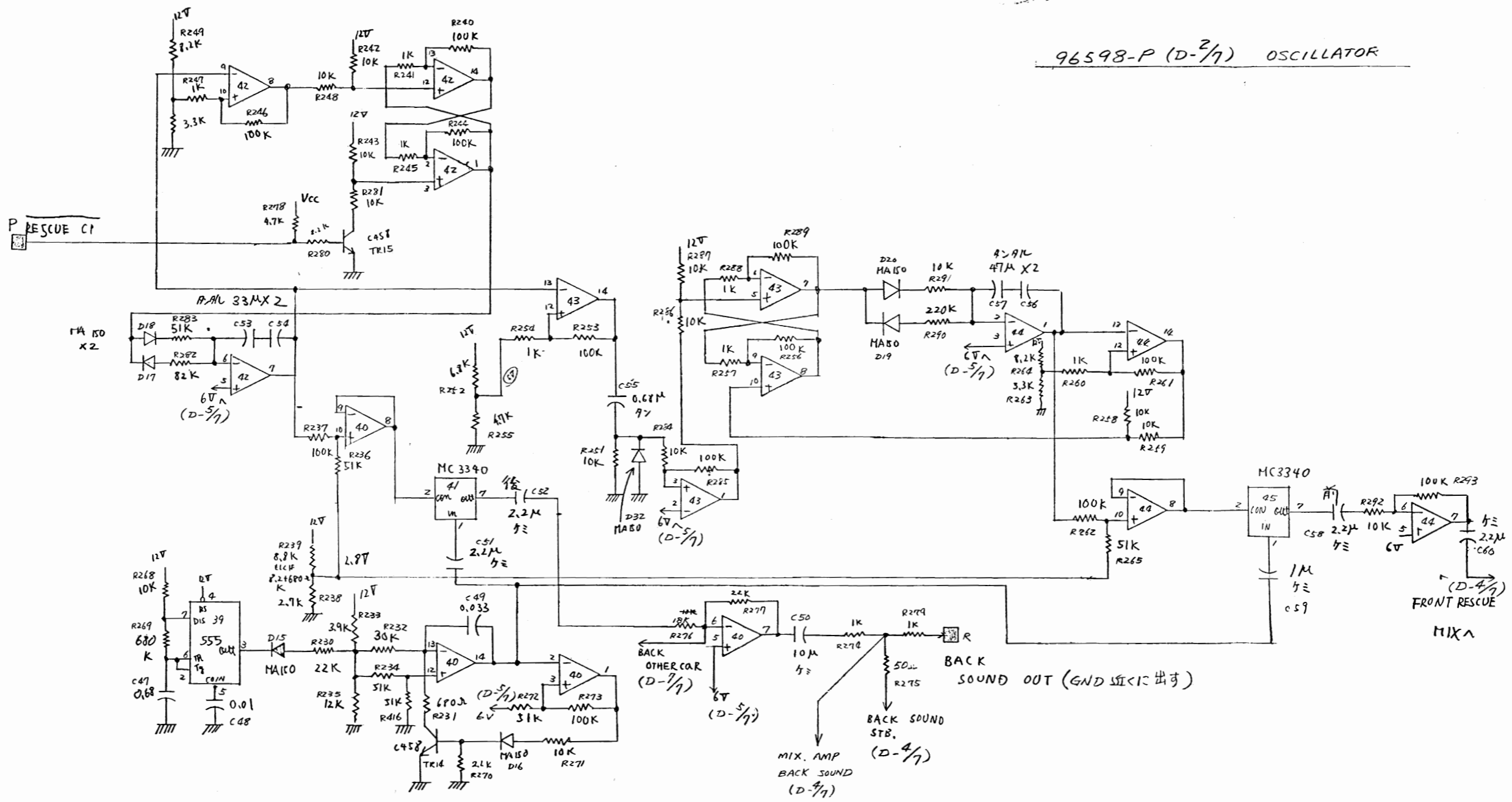


⑤ - MONACO GP

OP AMP LM324

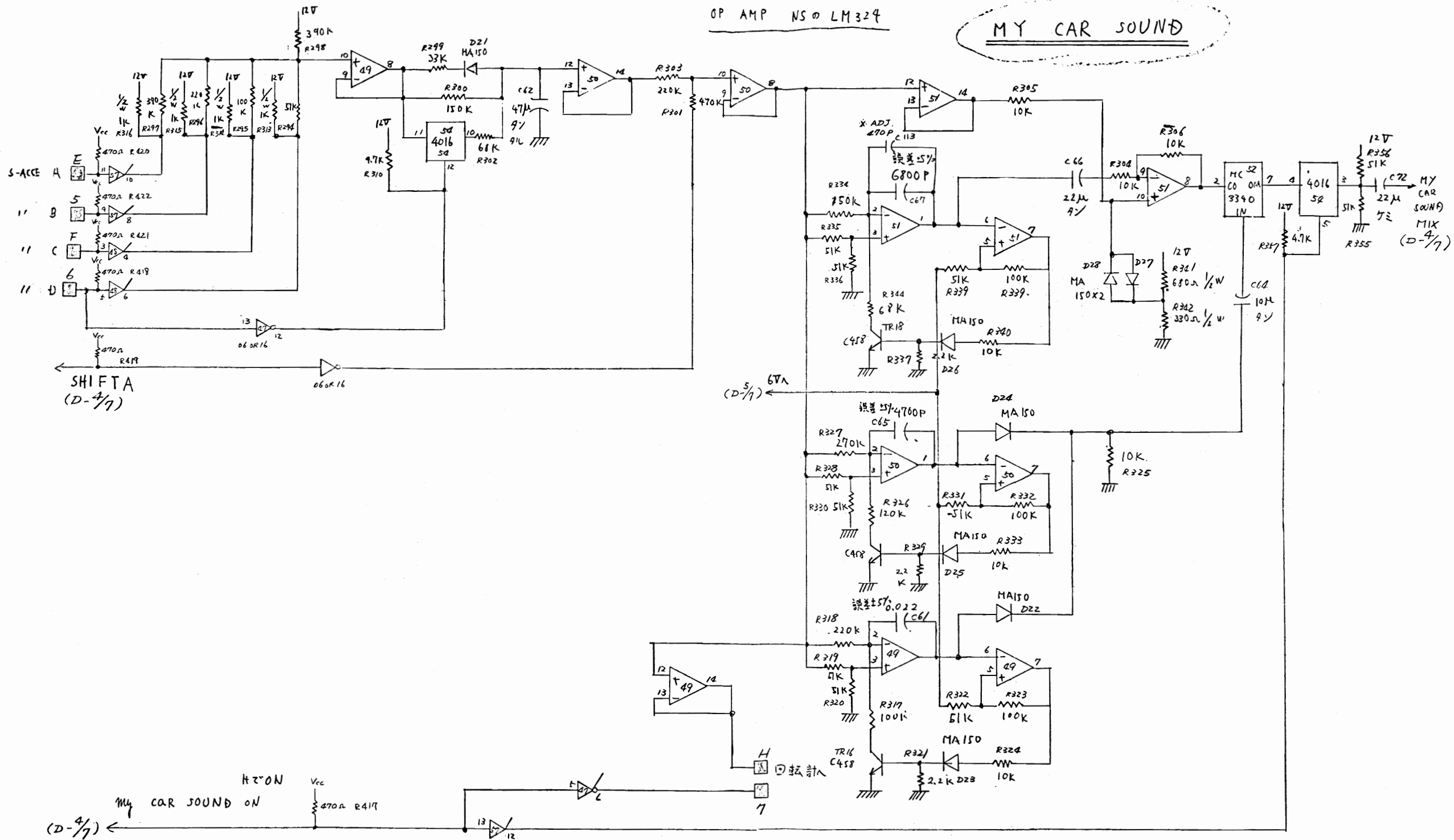
RESCUE CAR

96598-P (D-2/7) OSCILLATOR



- LM324 4コ
- 555 1コ
- MC3340 2コ

S MONACO GP



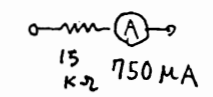
OP AMP NS0 LM324

MY CAR SOUND

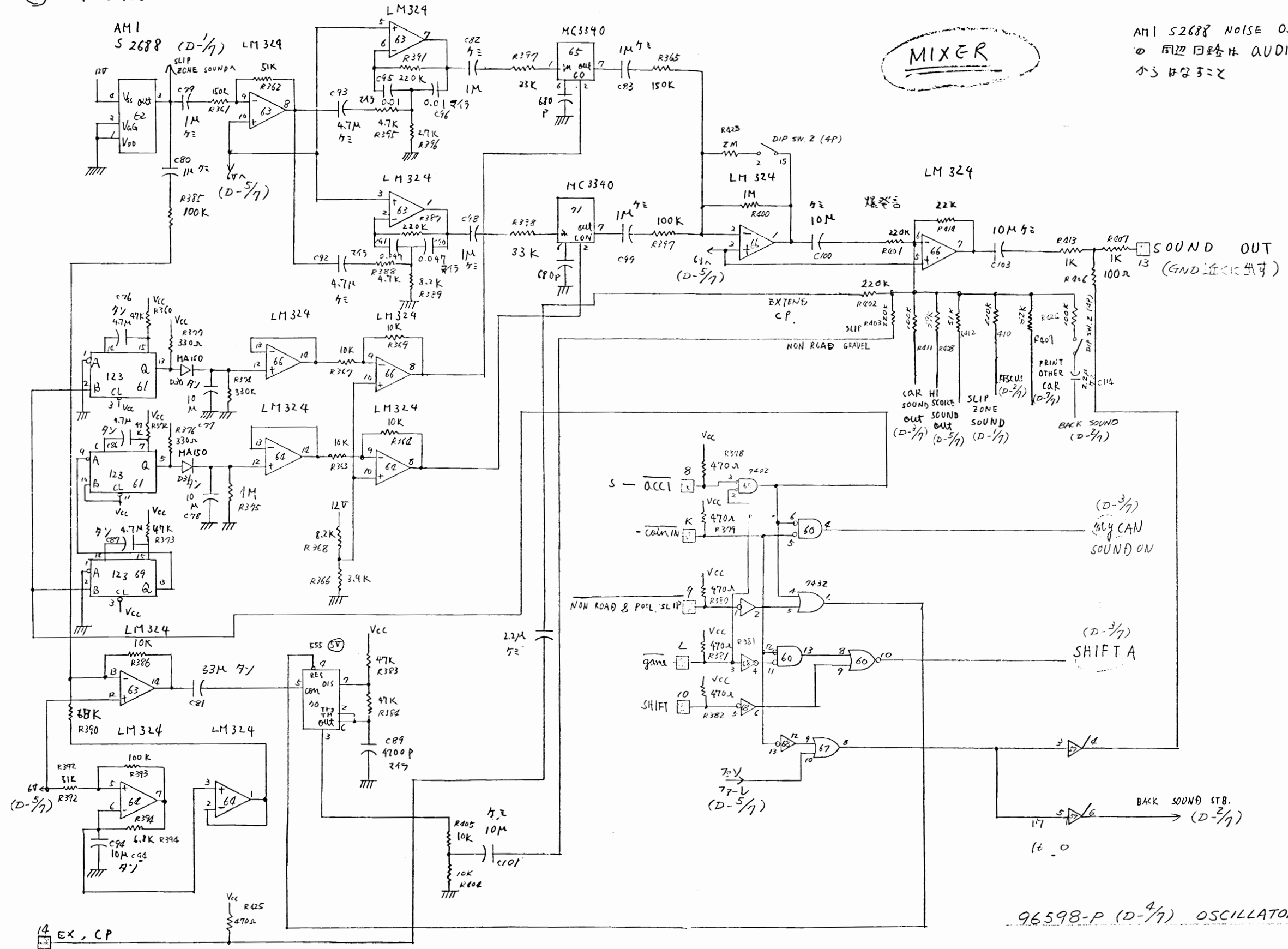
- LM 324 x 3
- 04 x 1
- 07 x 2
- 3340 x 1

96598-P (D-3/7) OSCILLATOR

回転計内部メーター類のランプ
12V AC また DC



⑤ - MONACO GP

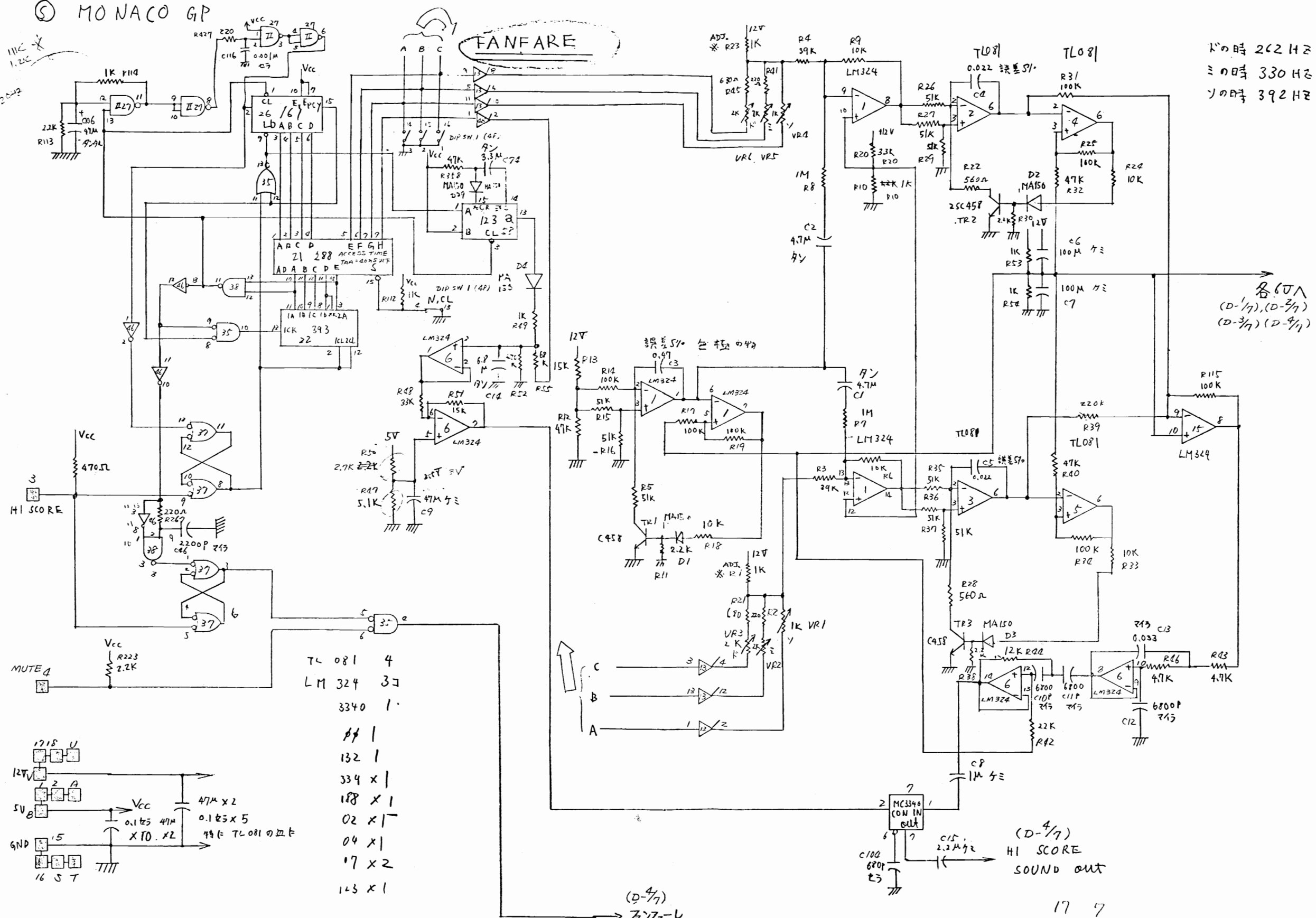


MIXER

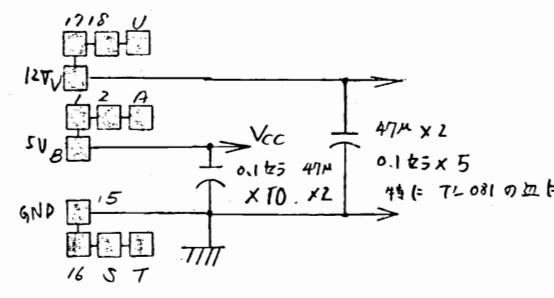
AMI S2688 NOISE OSC 1#
 同位回路中 AUDIO回路
 小S 符号 5=2

96598-P (D-4/7) OSCILLATOR

⑤ MONACO GP



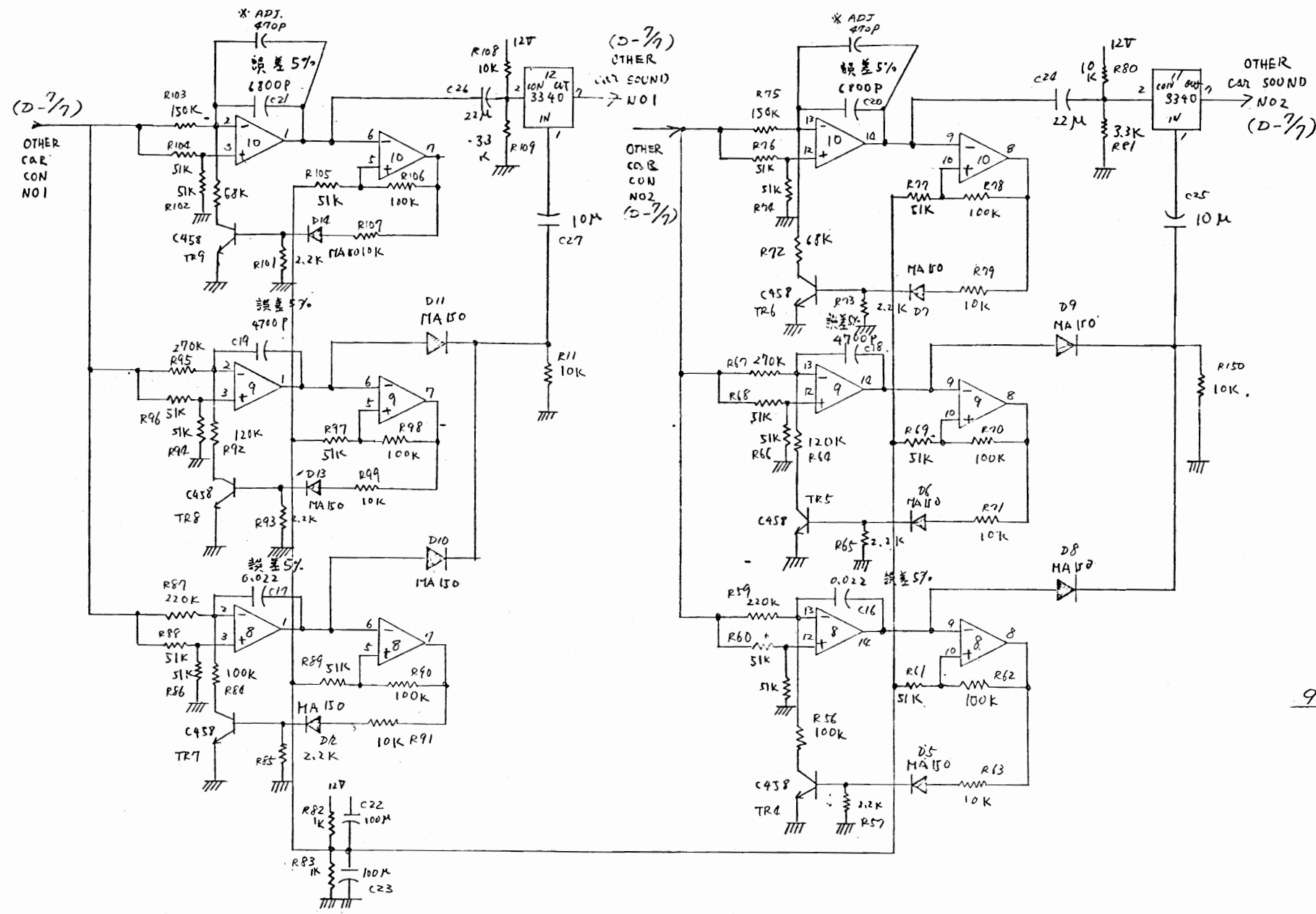
| | |
|--------|-----|
| TL 081 | 4 |
| LM 324 | 37 |
| 3340 | 1 |
| 88 | 1 |
| 132 | 1 |
| 334 | x 1 |
| 188 | x 1 |
| 02 | x 1 |
| 04 | x 1 |
| 17 | x 2 |
| 143 | x 1 |



1'の時 262 Hz
3'の時 330 Hz
7'の時 392 Hz

⑤ - MONACO GP

OP AMP は LM324 NS製の用



OTHER CAR SOUND

96598-P (D-6/7) OSCILLATOR

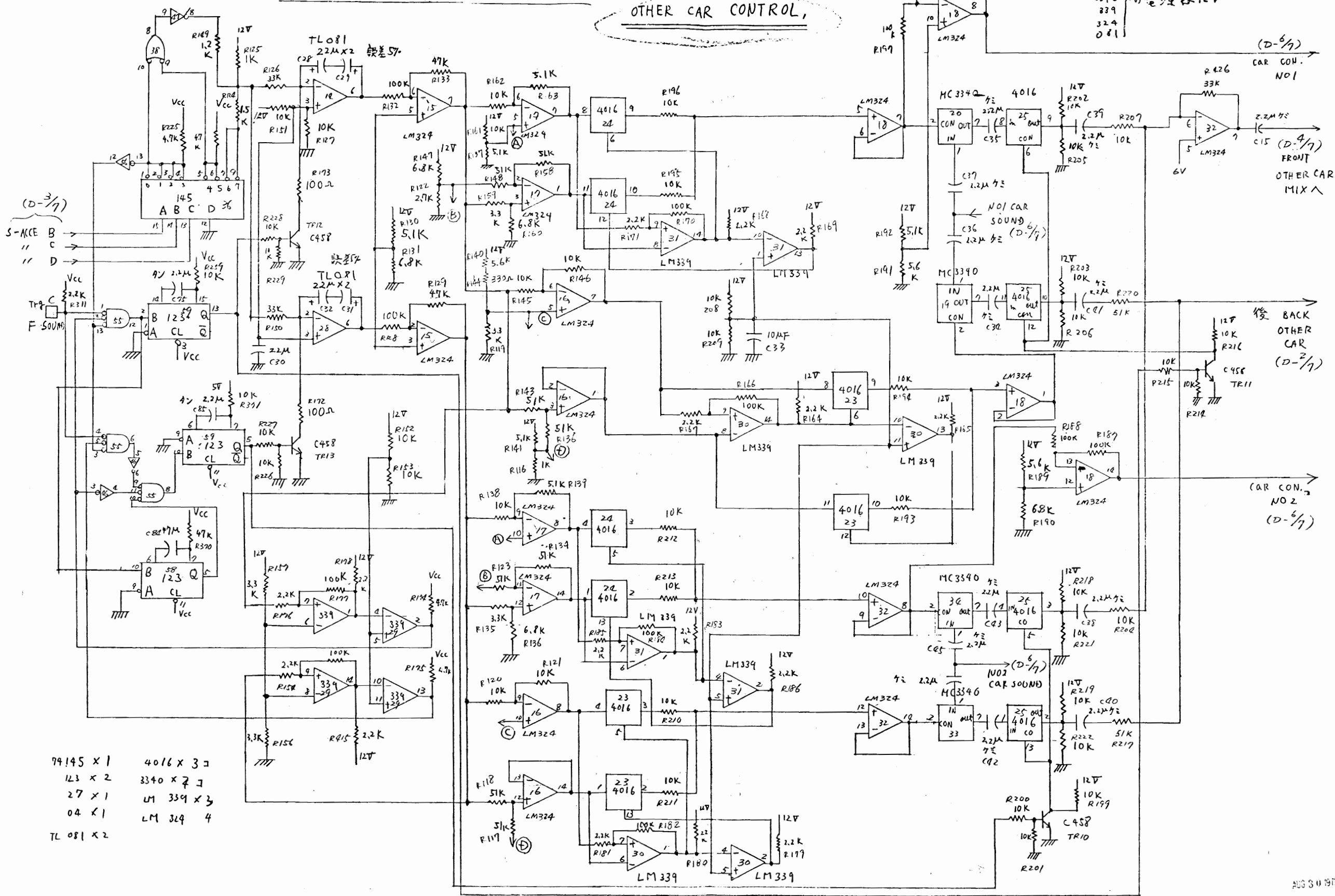
LM324 x3
MC3340 x2

⑤ MONACO GP

96598-P (D-7/7) OSCILLATOR

OTHER CAR CONTROL,

4016 } 電源 12V
3340 }
339 }
324 }
081 }

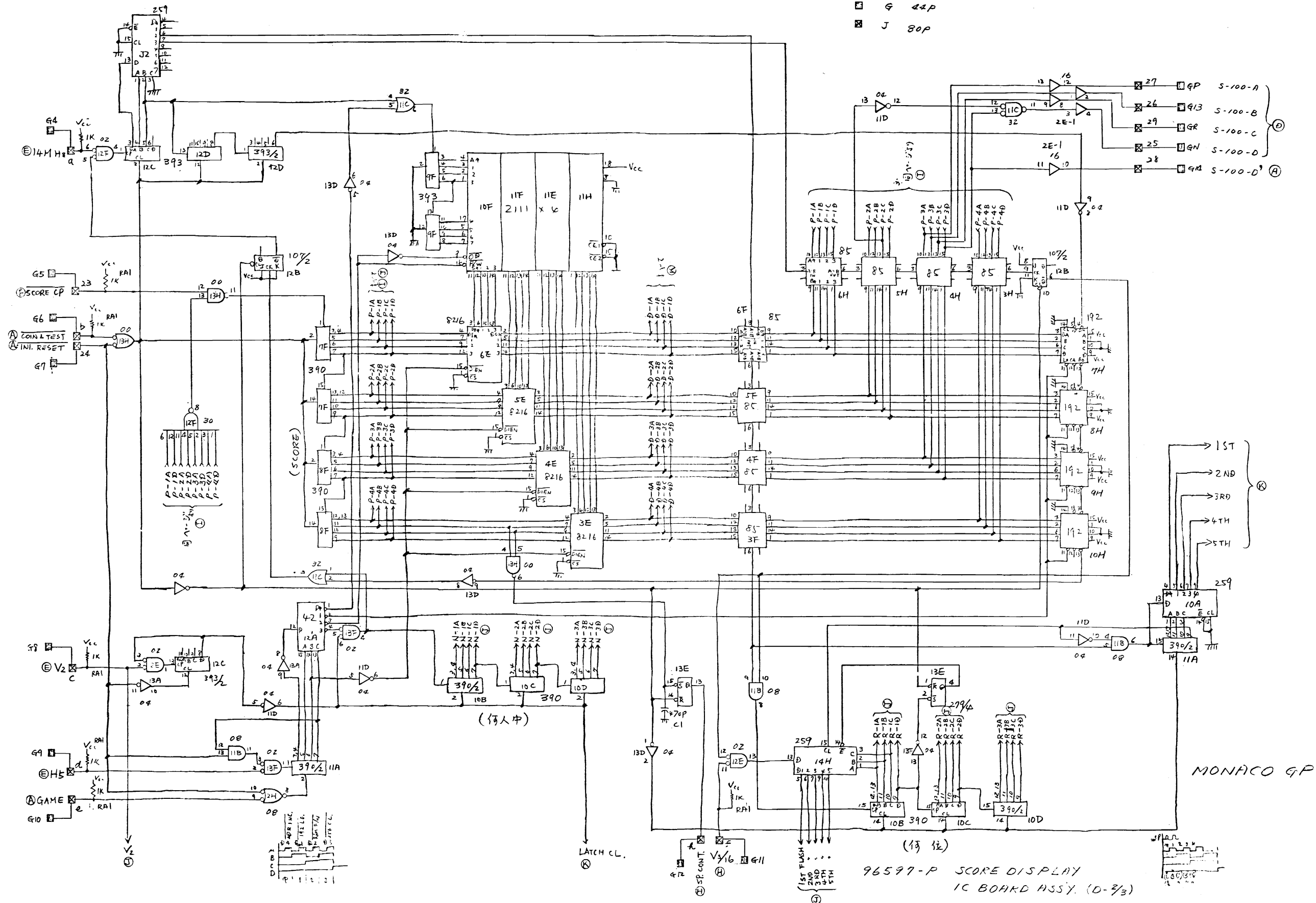


- 74145 x 1
- 123 x 2
- 27 x 1
- 04 x 1
- TL 081 x 2
- 4016 x 30
- 3340 x 7
- LM 339 x 3
- LM 324 4

I

CONNECTOR 記号及P数

- G 42P
- J 80P

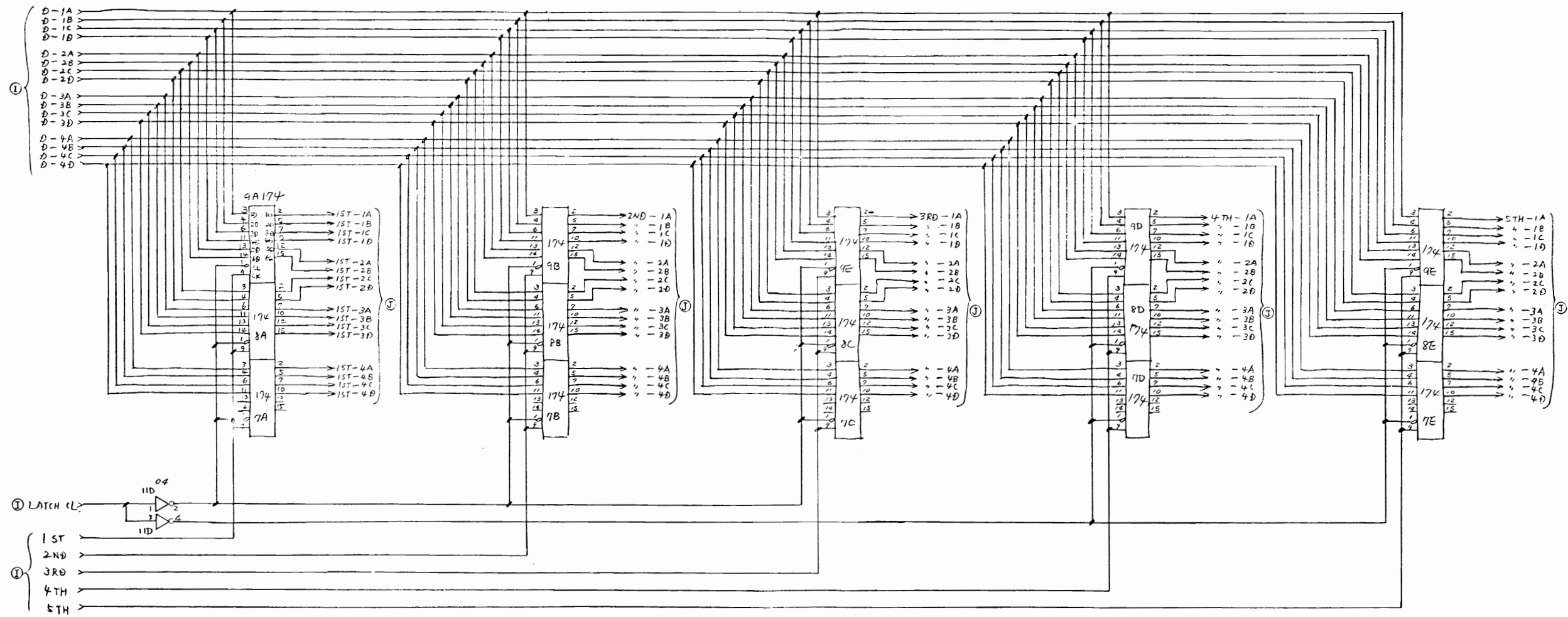


MONACO GP

96597-P SCORE DISPLAY IC BOARD ASSY. (D-2/3)

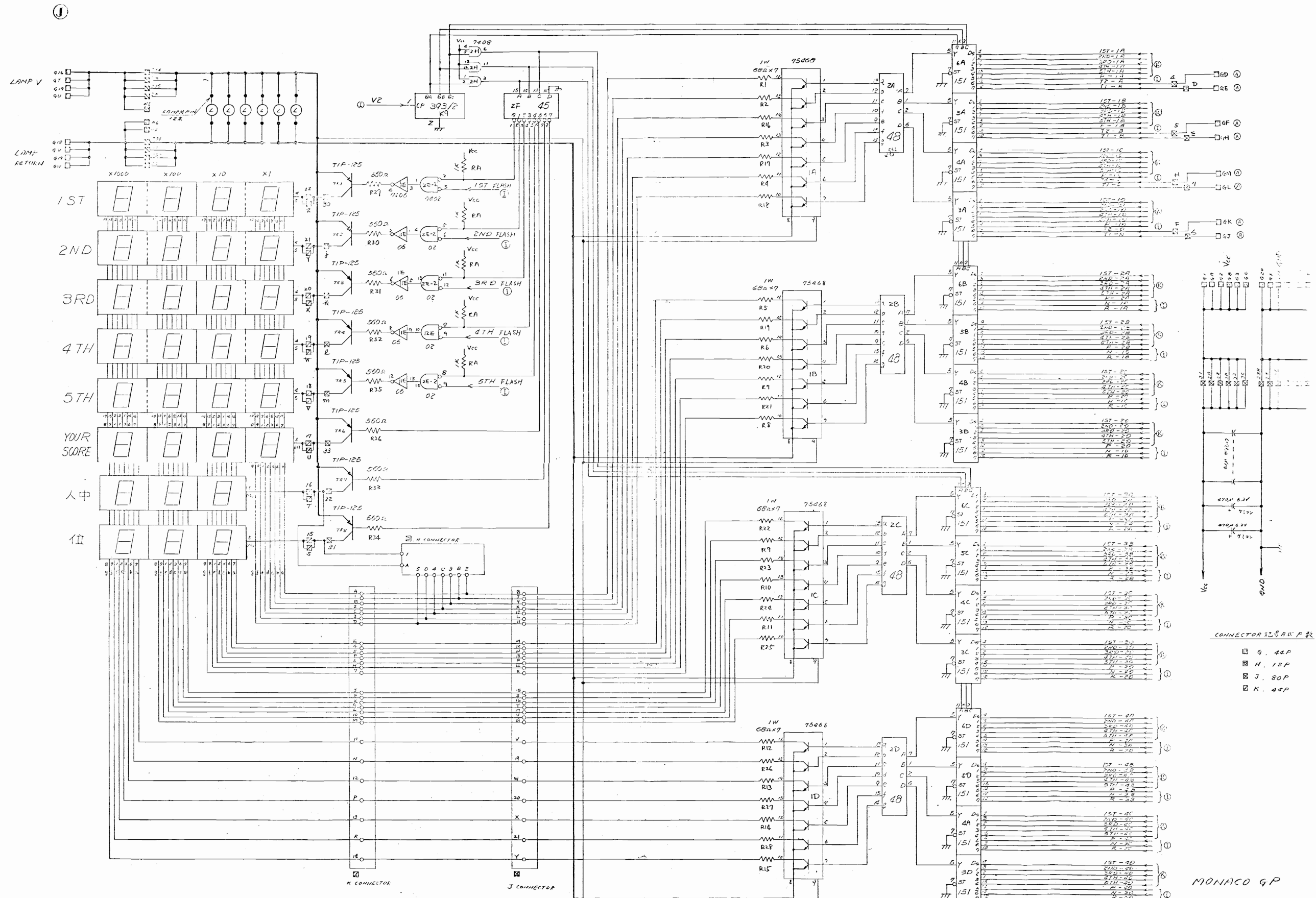
- 1ST
- 2ND
- 3RD
- 4TH
- 5TH

(K)



96597-P SCORE DISPLAY IC BOARD ASS'Y. (D-3/3)

MONACO GP



96620-P
SCORE DISPLAY LED BOARD ASS'Y.

96597-P
SCORE DISPLAY IC BOARD ASS'Y. (D-1/3)

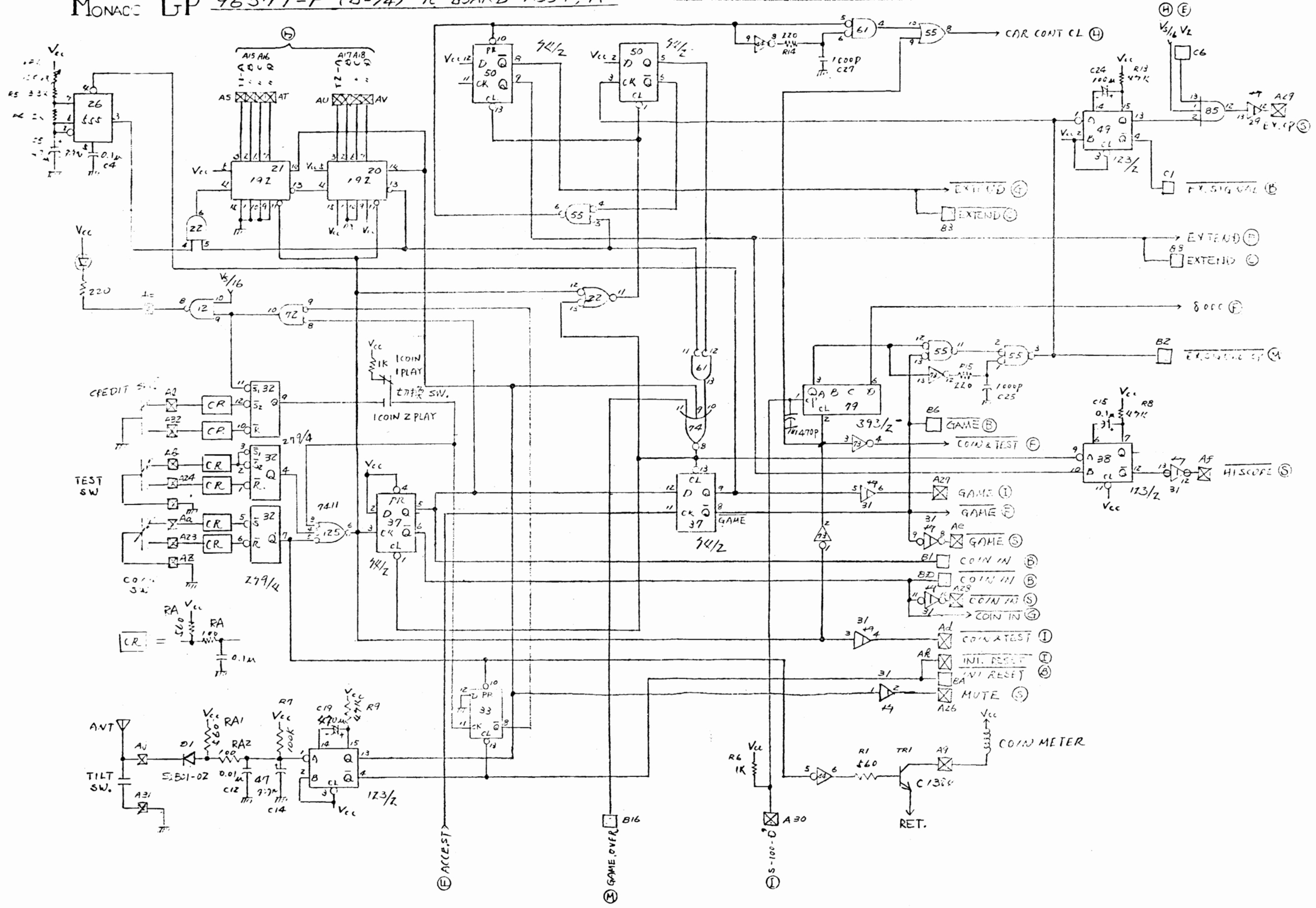
- CONNECTOR 32 SAKE P 32
- G. 44P
 - H. 12P
 - J. 80P
 - K. 44P

MONACO GP

A 1/13

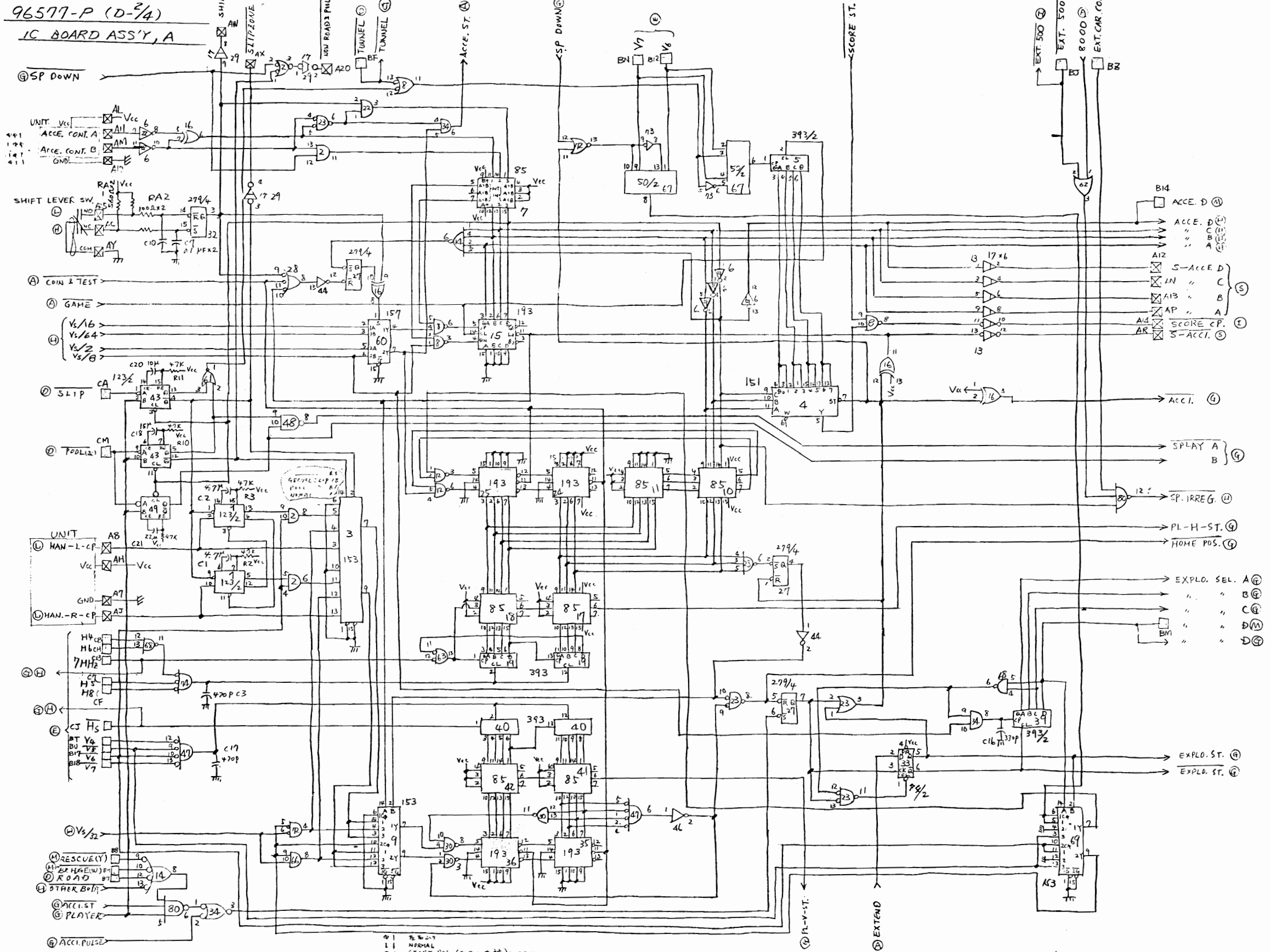
MONACC GP 96577-P (D-1/4) IC BOARD ASSY, A

29-1-912-CONTROL



① 4/3
MONACO GP
 96577-P (D-2/4)
 IC BOARD ASSY, A

プレイヤー (アッセル, ハンドル, シフトレバー) コントロール

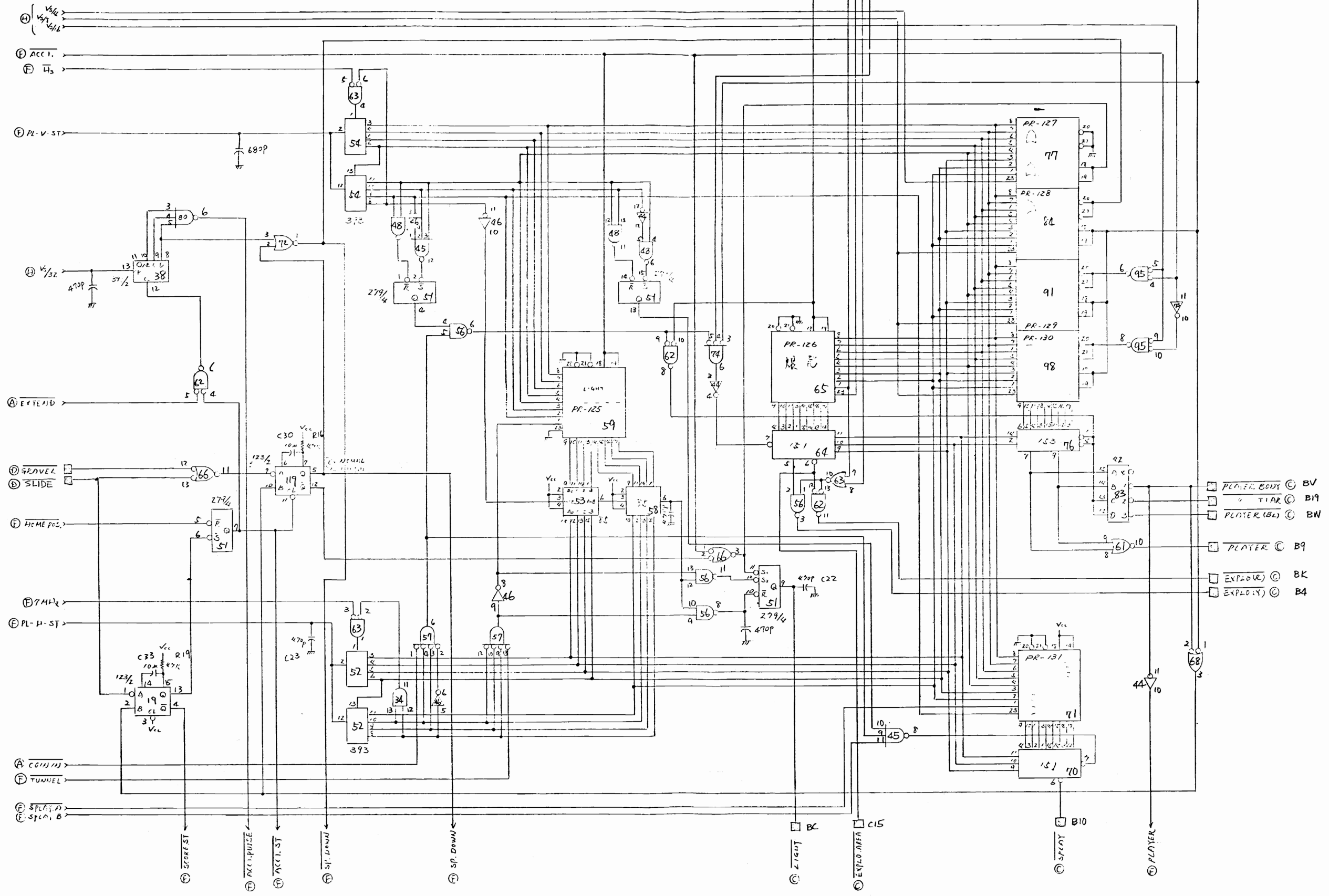


① 左向き
 ② 右向き
 ③ START POS. (3, 2, 1) SET
 ④ NORMAL (7, 6, 5) ACCU. ST.

G 7/13

MONACO GP 96577-P (A-3/4) IC BOARD ASSY, A

マイナー、ハットライト、爆発、水たまりスリッパ絵出し

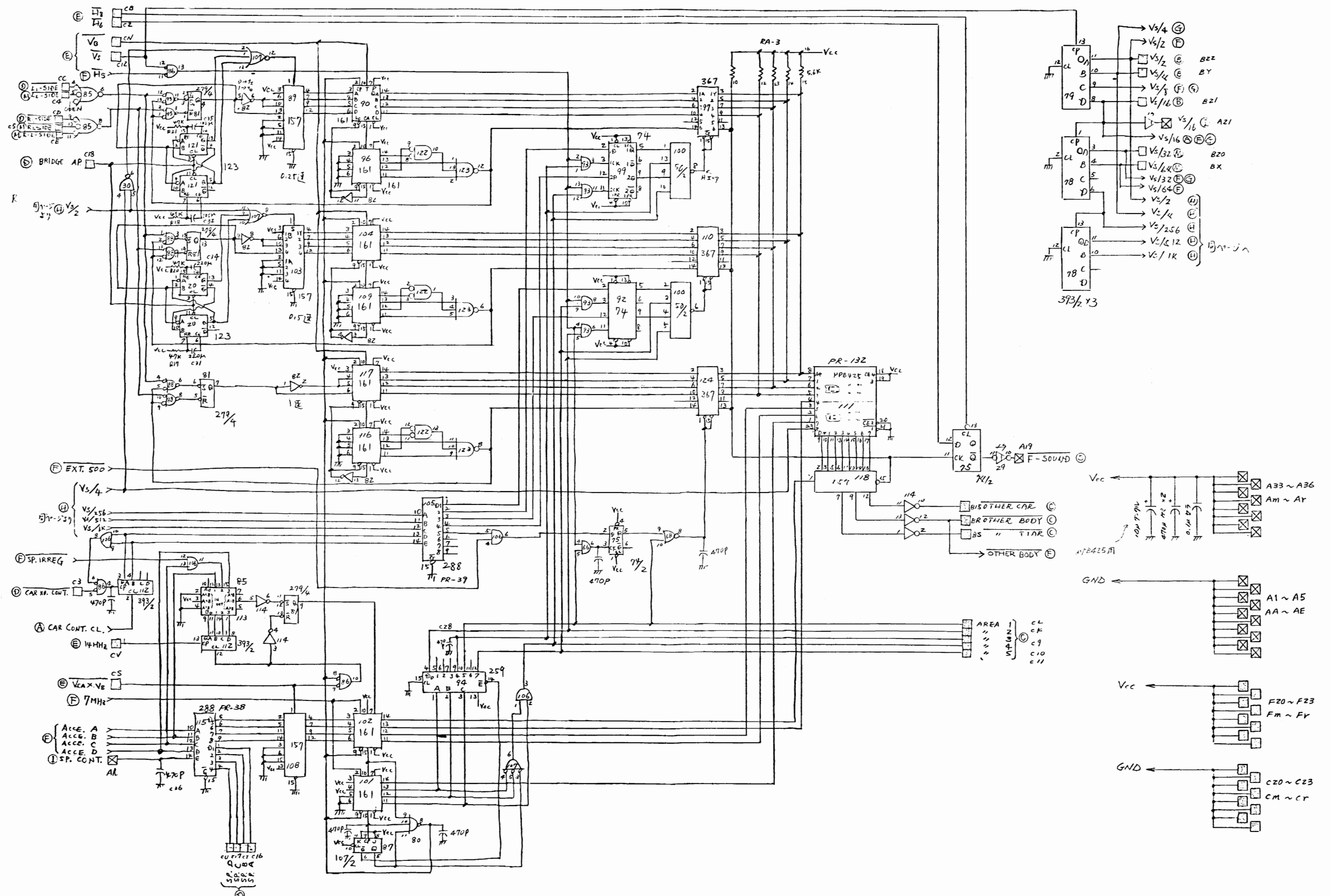


- PLAYER BODY (C) BV
- TIAZ (C) B19
- PLAYER (BL) (C) BW
- PLAYER (C) B9
- EXPLO (C) BK
- EXPLO (Y) (C) B4

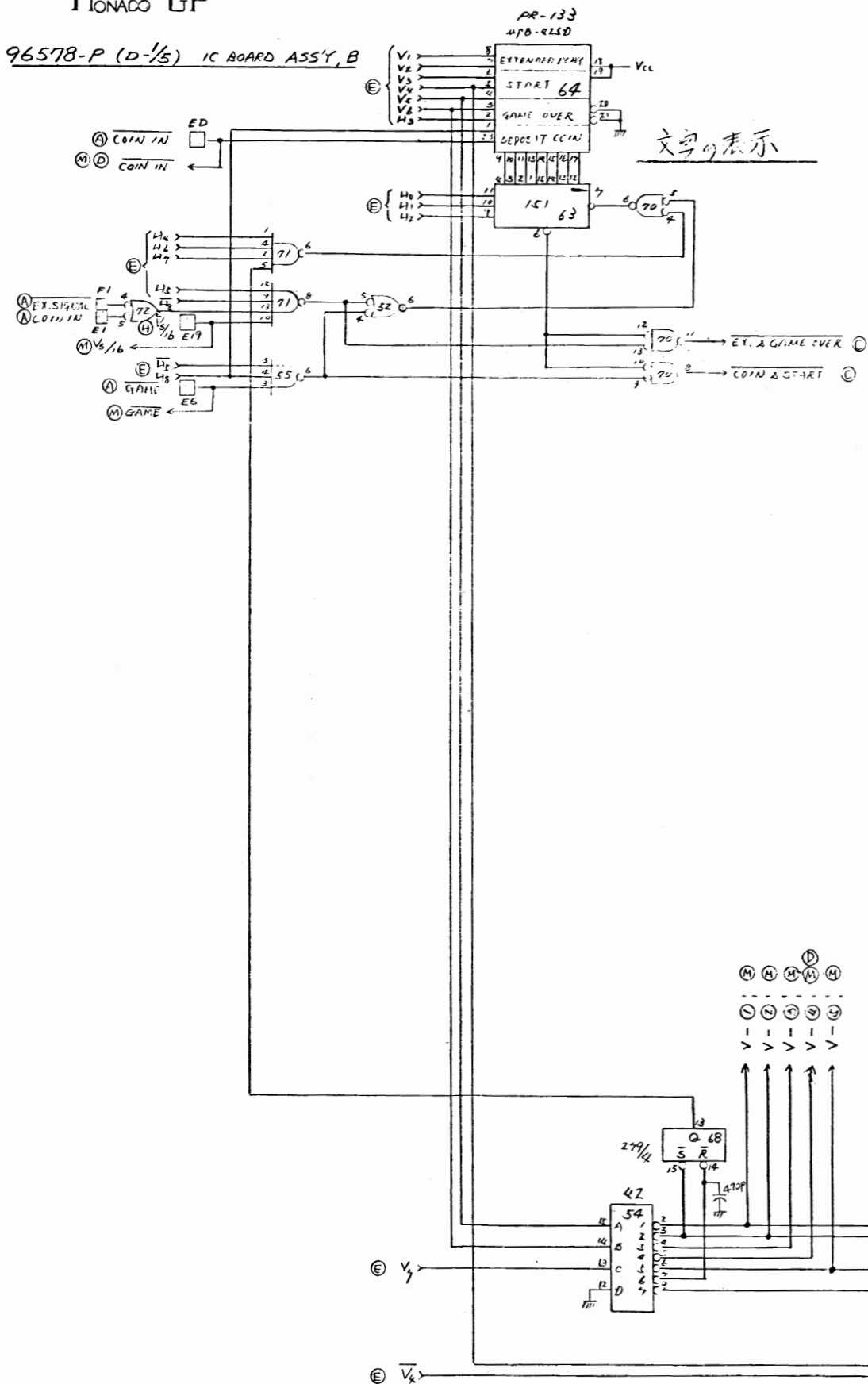
- ① STORE ST
- ② ACC1. PRIZE
- ③ ACC1. ST
- ④ SP. DOWN
- ⑤ SP. DOWN
- ⑥ LIGHT
- ⑦ EXPLO AREA
- ⑧ SPLOT
- ⑨ PLAYER

H 13
MONACO GP 96577-P (D-7/4) IC BOARD ASSY, A

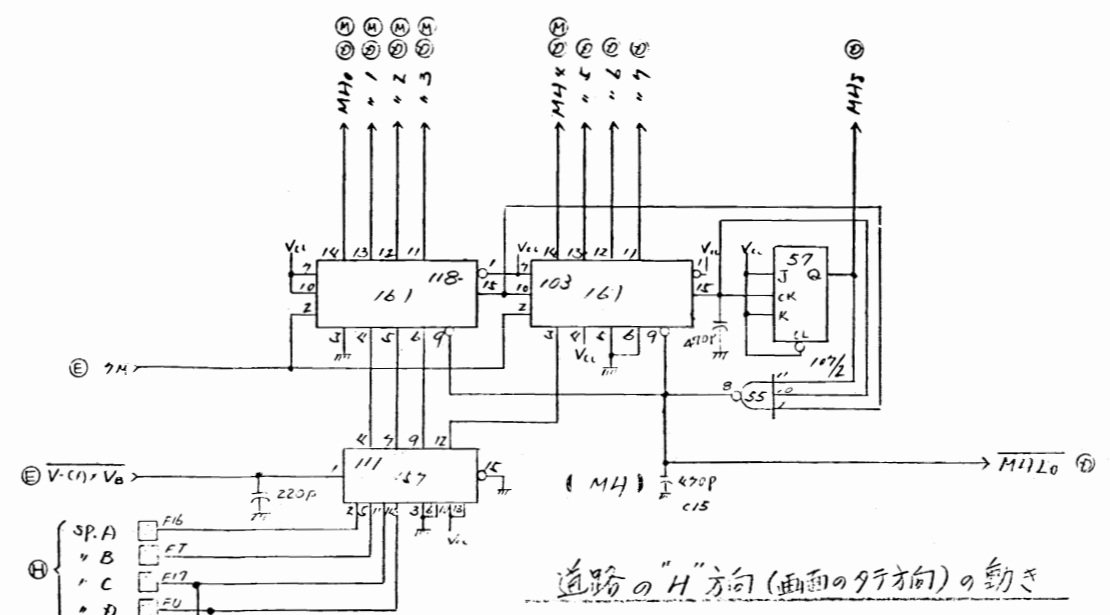
OTHER CAR の 送 信 と コ ン ト ロ ー ル



96578-P (D-1/5) IC BOARD ASSY, B



文字の表示

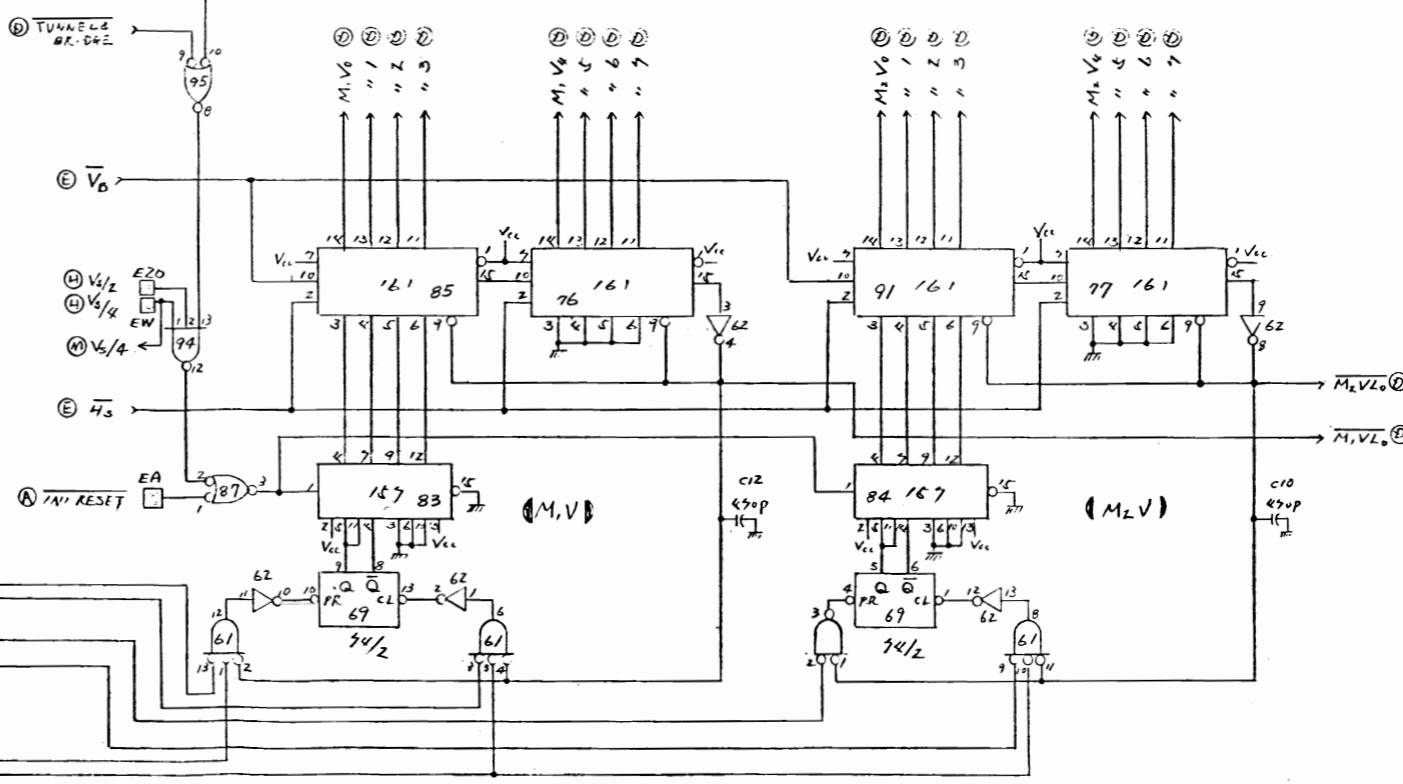


道路の"H"方向(画面の9行方向)の動き

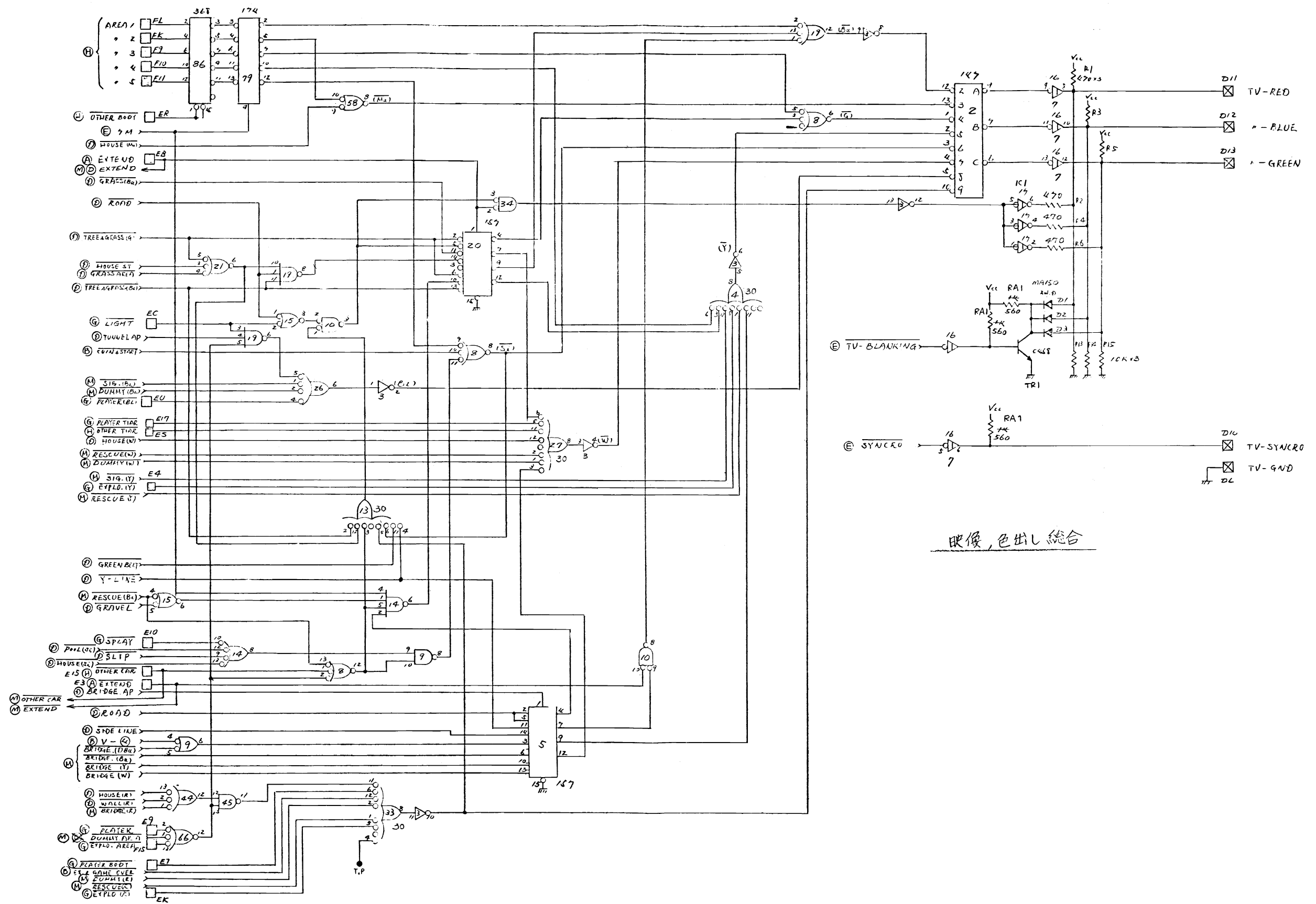
道路の"V"方向(画面のヨコ方向)の動き

右側

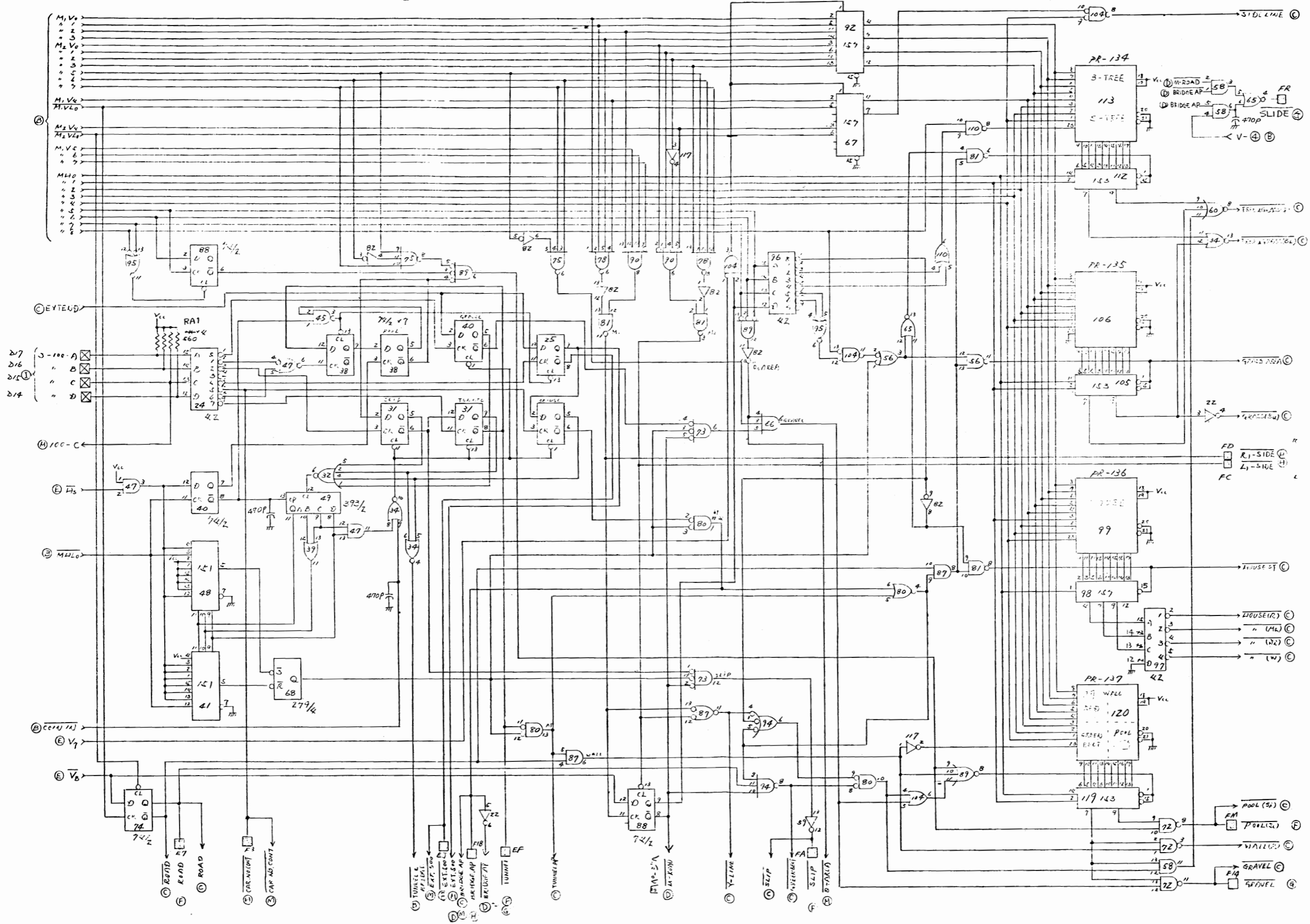
左側



McNAGG GP 96578-P (D-1/5) IC BOARD ASSY, B



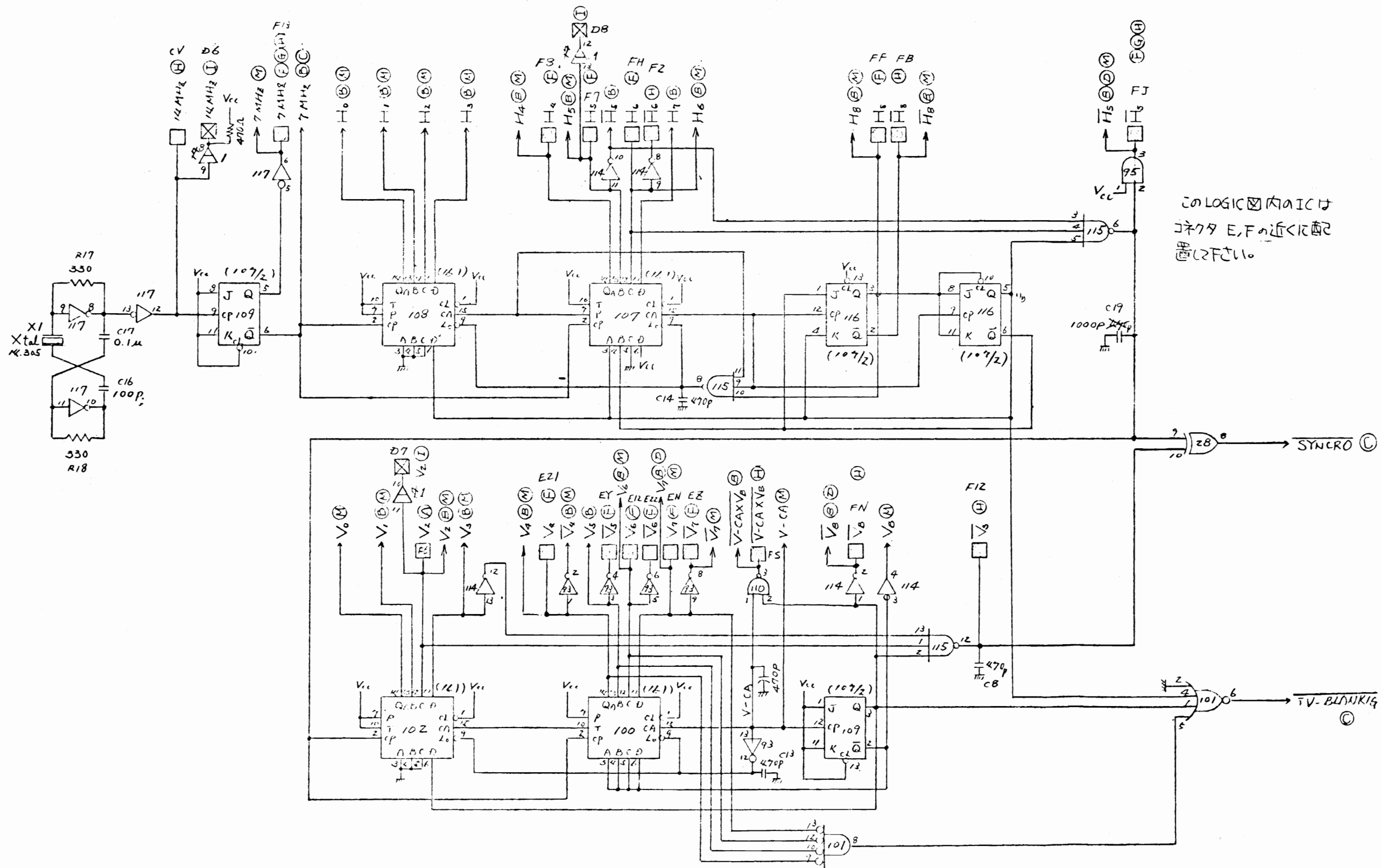
① MONACO GP 96578-P (D-3/5) IC BOARD ASSY, B 道路上の給水(水車, 水塔, 水塔等)とコントロール



⑤ 5/13

MONACO GP 96578-P (D-4/5) IC BOARD ASSY, B

同期信号

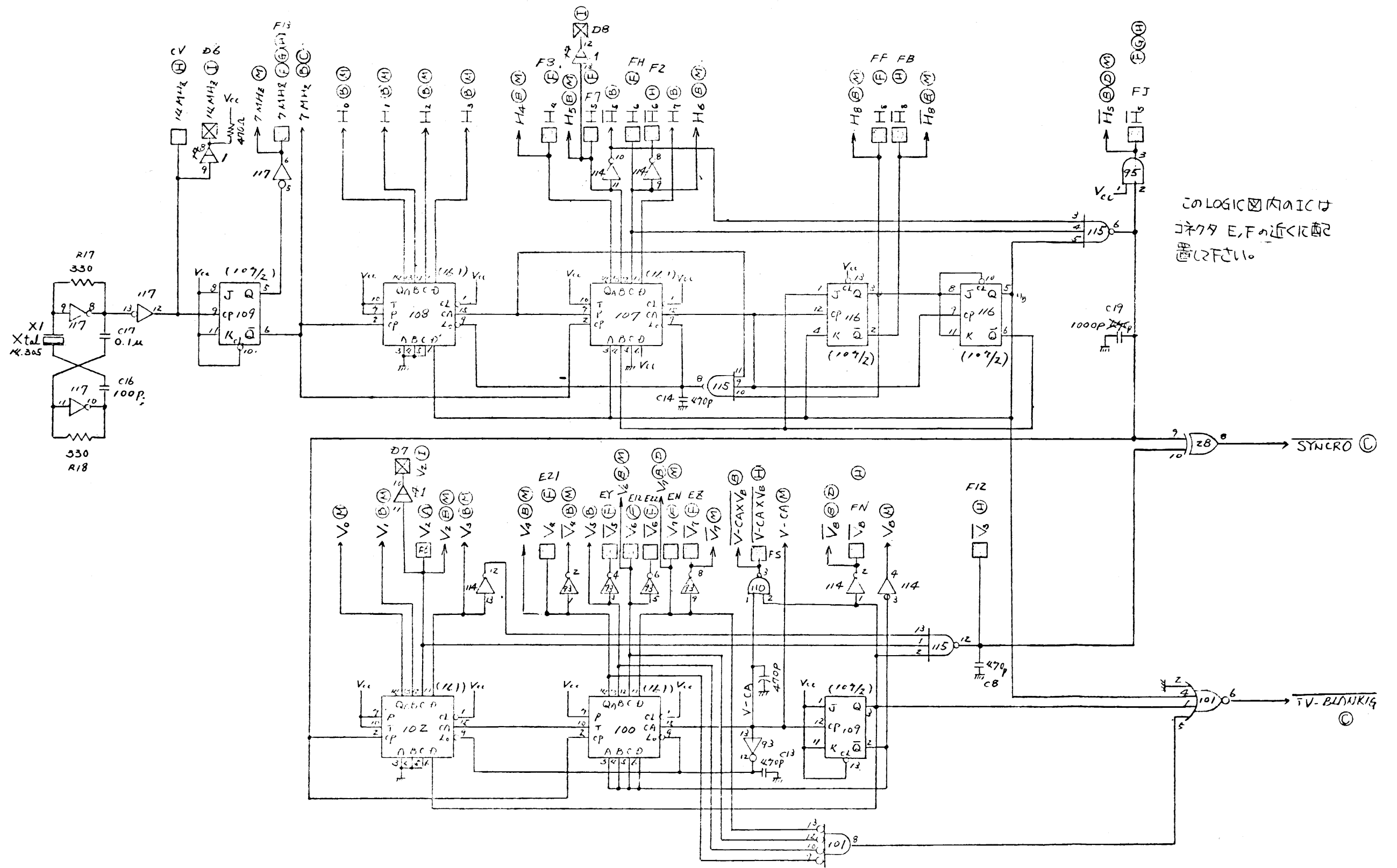


このLOGIC内のICは
コネクタ E, F の近くに配
置して下さい。

E 5/13

MONACO GP 96578-P (D-4/5) IC BOARD ASS'Y, B

同期信号



このLOGIC図内のICは
コネクタ E, F の近くに配
置して下さい。