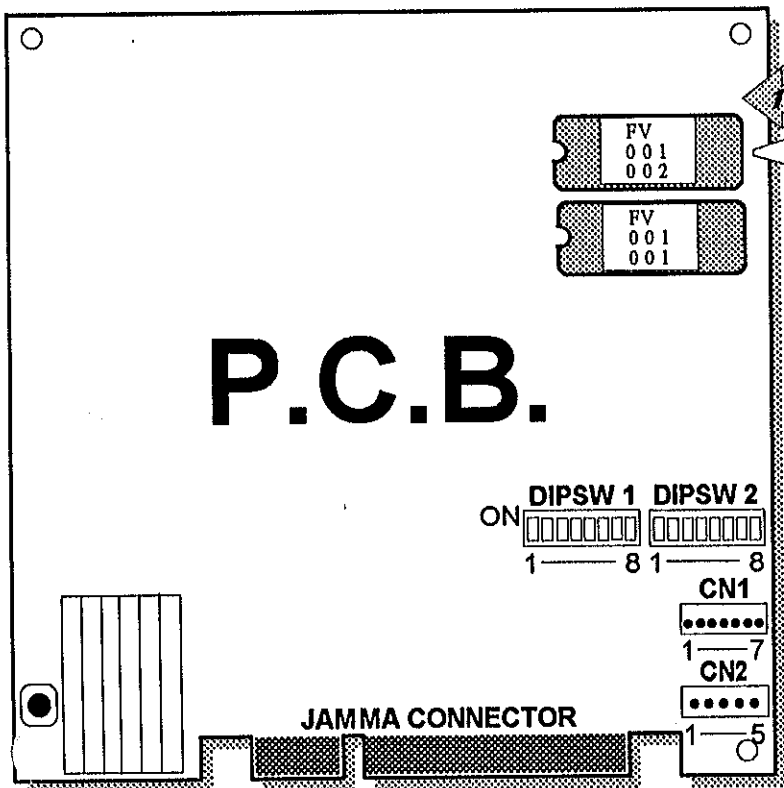




# KRAZY BOWL "Ticket Payout Ver." CONVERSION INSTRUCTIONS

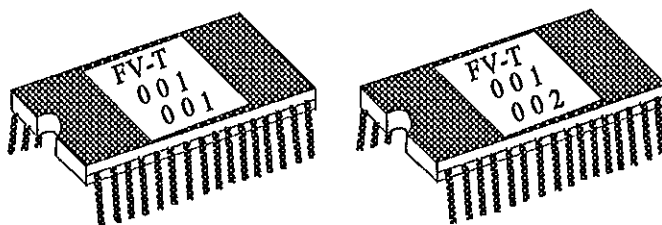


**A :** Remove the original ROMs "FV 001 001" & "FV 001 002" from the PCB. As below:



Take the head of the "standard" screwdriver and put it under the ROM chip and lift up.

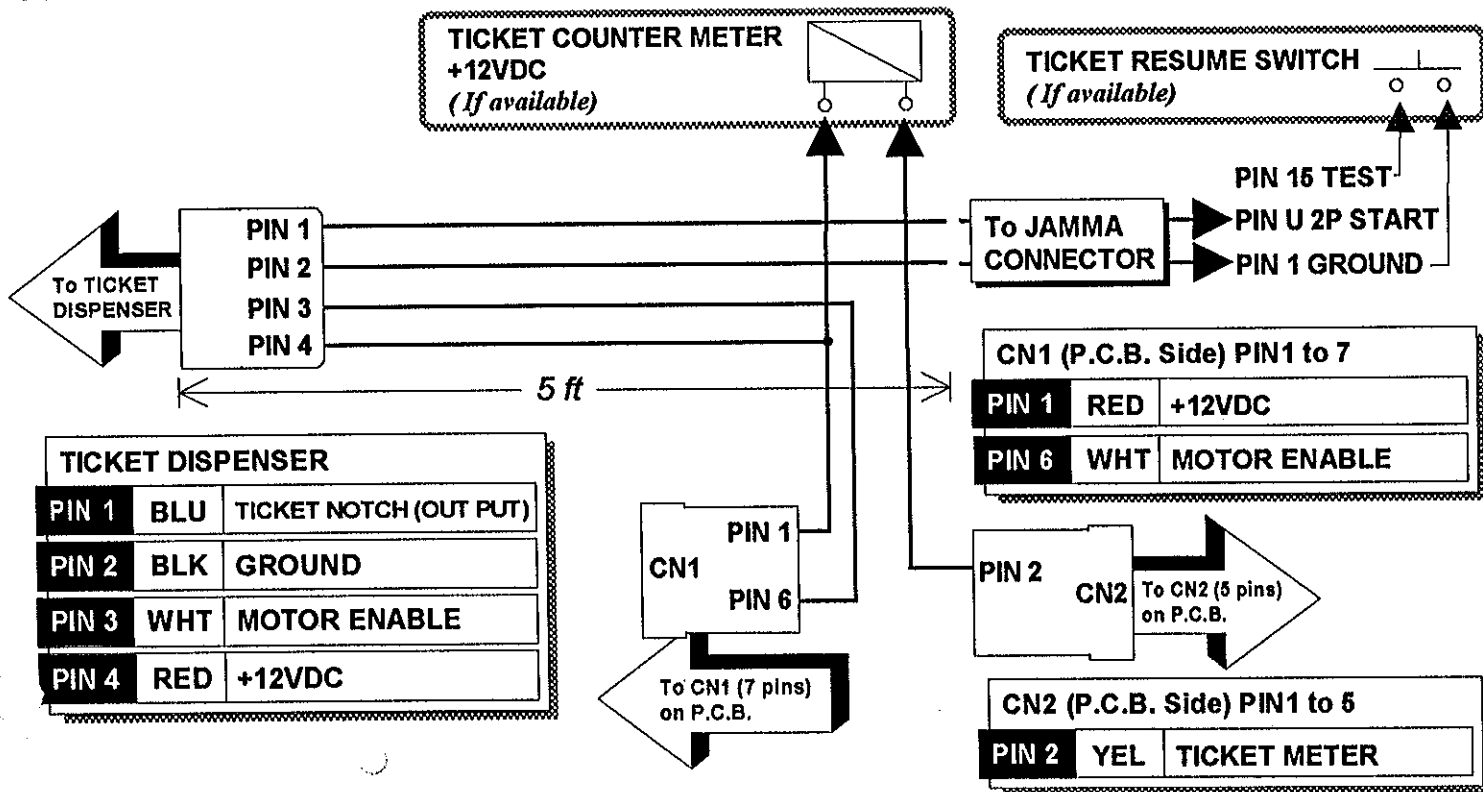
**B :** Replace the new ROMs "FV-T 001 001" & "FV-T 001 002" on the PCB in the *exact* location as shown.



**NOTE:**

*Do not bend the LEGS on the ROM. If you bend the legs, take a pair of "needle nose" pliers and straighten them.*

**C :** Connect the TICKET DISPENSER HARNESS. As below:



**TICKET DISPENSER**

PIN 1	BLU	TICKET NOTCH (OUT PUT)
PIN 2	BLK	GROUND
PIN 3	WHT	MOTOR ENABLE
PIN 4	RED	+12VDC

**OPTION DIP SWITCH TABLE**

DIP SWITCH 1		SWITCH POSITIONS							
FUNCTIONS	SETTING	1	2	3	4	5	6	7	8
COIN CHUTE 1	1 COIN 1 CREDIT	OFF	OFF	OFF					
	2 COINS 1 CREDIT	ON	OFF	OFF					
	3 COINS 1 CREDIT	OFF	ON	OFF					
	1 COIN 2 CREDITS	ON	ON	OFF					
	1 COIN 3 CREDITS	OFF	OFF	ON					
	1 COIN 4 CREDITS	ON	OFF	ON					
	1 COIN 5 CREDITS	OFF	ON	ON					
	1 COIN 6 CREDITS	ON	ON	ON					
1 TICKET PAYOUT by POINTS(P)*	R 40P / S 15P (NORMAL)				OFF	OFF	OFF		
	R 10P / S 5P (HIGHEST PAYOUT)				ON	OFF	OFF		
	R 20P / S 8P				OFF	ON	OFF		
	R 30P / S 10P				ON	ON	OFF		
	R 50P / S 20P				OFF	OFF	ON		
	R 60P / S 30P				ON	OFF	ON		
	R 70P / S 40P				OFF	ON	ON		
	R 80P / S 50P (LOWEST PAYOUT)				ON	ON	ON		
STRIKE BONUS	1 TICKETS/STRIKE							OFF	
	2 TICKETS/STRIKE							ON	
PERFECT BONUS	1000 TICKETS								OFF
	NONE								ON

DIP SWITCH 2		SWITCH POSITIONS							
FUNCTIONS	SETTING	1	2	3	4	5	6	7	8
MONITOR	NORMAL	OFF							
	REVERSE	ON							
ATTRACT SOUND	OFF		OFF						
	ON		ON						
DIFFICULTY LEVEL	NORMAL			OFF	OFF				
	EASY			ON	OFF				
	HARD			OFF	ON				
	HARDEST			ON	ON				
NOT USED						OFF ON			
TYPE of CABINET	UPRIGHT						OFF		
	COCKTAIL TABLE						OFF		
TYPE of CONTROL	TRACKBALL							OFF	
	JOYSTICK							ON	
TEST MODE	NORMAL GAME								OFF
	TEST MODE								ON

\* R : REGULATION S : SWEEPER

**"FACTORY INSTALLED" SETTING**

## NEW DIP SWITCH SETTING

After replacing the ROMs & the HARNESS, you must change the DIP SWITCHES.

### "TICKET PAYOUT" SETTING

Change the DIP SWITCH 1 : Setting #4, 5 & 6.  
(See Page -2-)

### "STRIKE BONUS" SETTING

Change the DIP SWITCH 1 : Setting #7.  
(See Page -2-)

### "PERFECT BONUS" SETTING

DIP SWITCH 1 : Setting #8  
(See Page -2-)

These setting work both on REGULATION and SWEEPER.  
After the game is finished, tickets are paid out.  
In multi player games, after each player's game is finished,  
tickets are paid to each player.  
If tickets are not paid out because tickets empty or  
ticket stuck, etc., screen shows "OUT OF TICKETS CALL  
ATTENDANT !" on the video monitor.

### NOTE:

"TICKET DISPENSER", "TICKET COUNTER METER" & "TICKET RESUME SWITCH" are not included in this kit.

### - TICKET COUNTER METER (+12VDC)

(How to connect, see Page -1-)

### - TICKET RESUME SWITCH

(How to connect, see Page -1-)



## American Sammy Corporation

901 Cambridge Drive  
Elk Grove Village, IL 60007  
Phone : (708)364-9787  
FAX: (708)364-9831

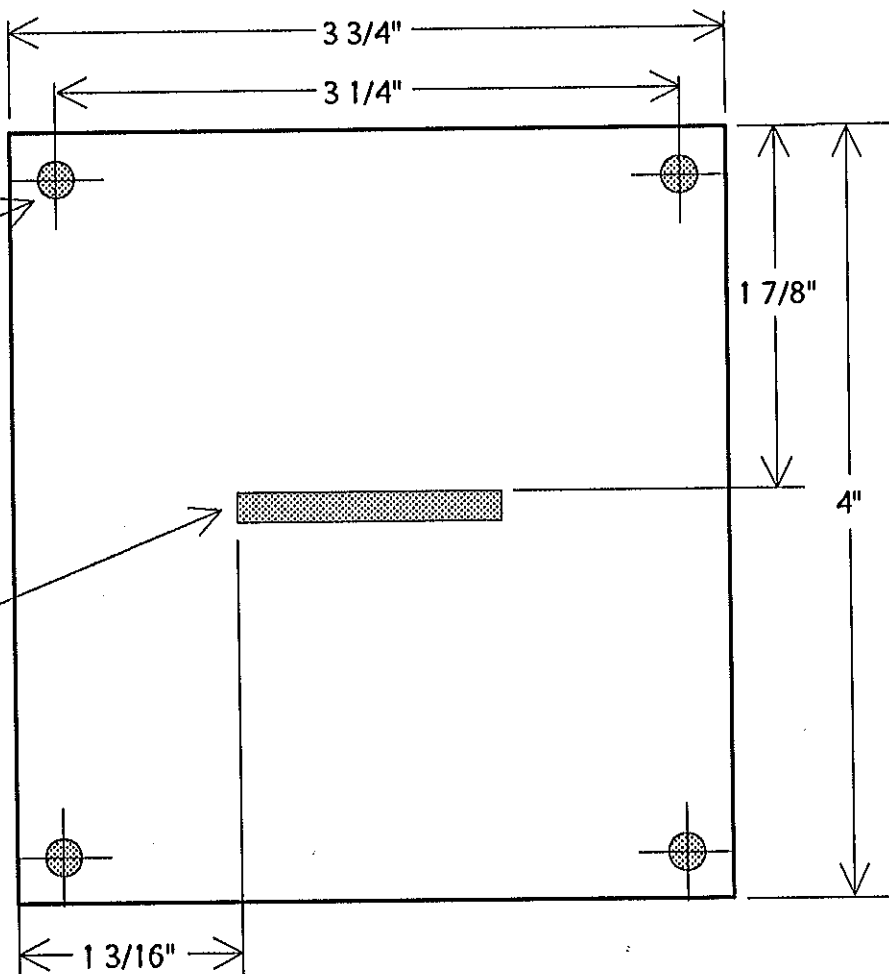
-3-



## Template for TICKET DISPENSER (STANDARD TYPE of TICKET DISPENSER)

3/16" DIA.

1 3/8" x 5/32" CUT OUT



**Clearing of the Battery Backup Data (High Score data)**

*or  
Ticket payout  
or Error data.*

This game has Battery Back up System and can Save the High Score Data with 3 letters when you make Best 5 score. If you want to clear this data, do the following;

- 1) Power off the game.
- 2) Press & Hold the **Start** and **B** button and Re-power ON.

On the screen shows Messages as below.

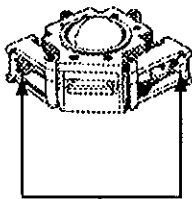
"Do you want to erase the Data ? Yes : A button No : B Button".

- 3) Press either button.

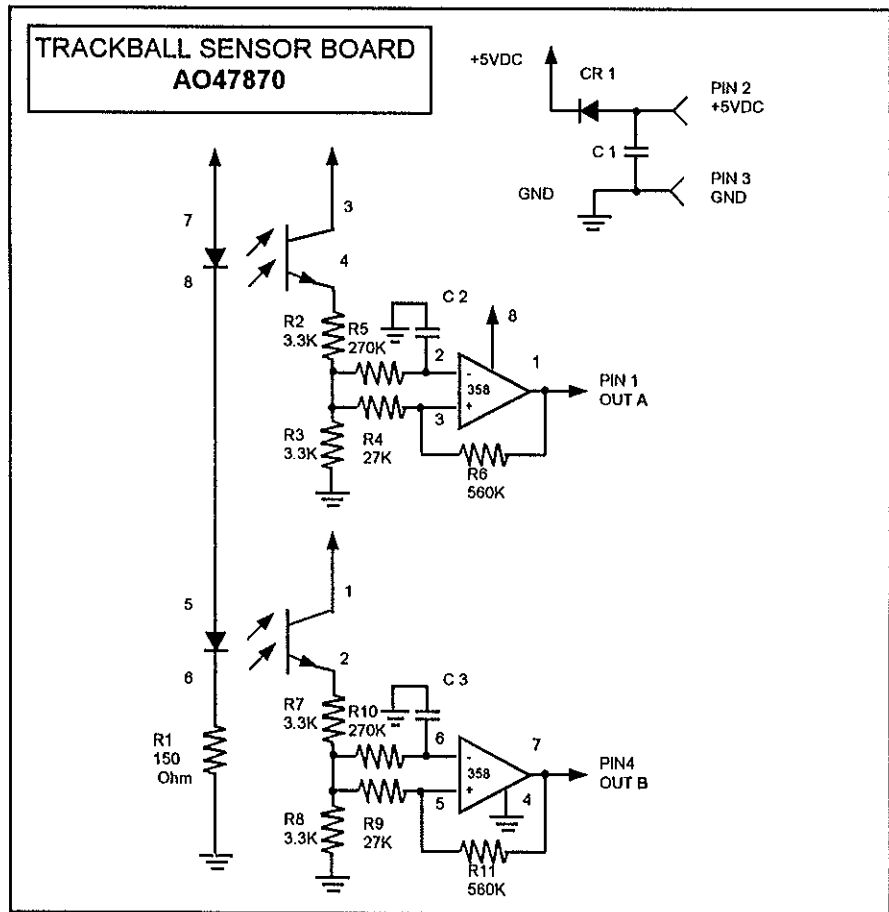
**Cocktail cabinet**

If you install the Game in a Cocktail Cabinet, you have to provide one more Trackball and Trackball Harness.(2P Trackball Harness needs be connected to CN12) You need to change DIP Switch 2, #6 to ON. Please reference Page 1 & 2.

**Schematic for Trackball Sensor Board**



Sensor boards



**DO NOT CHANGE THE ROMS.  
THE " TICKET PAYOUT VER." ROMS  
ARE ALREADY ON THE P.C.B.**