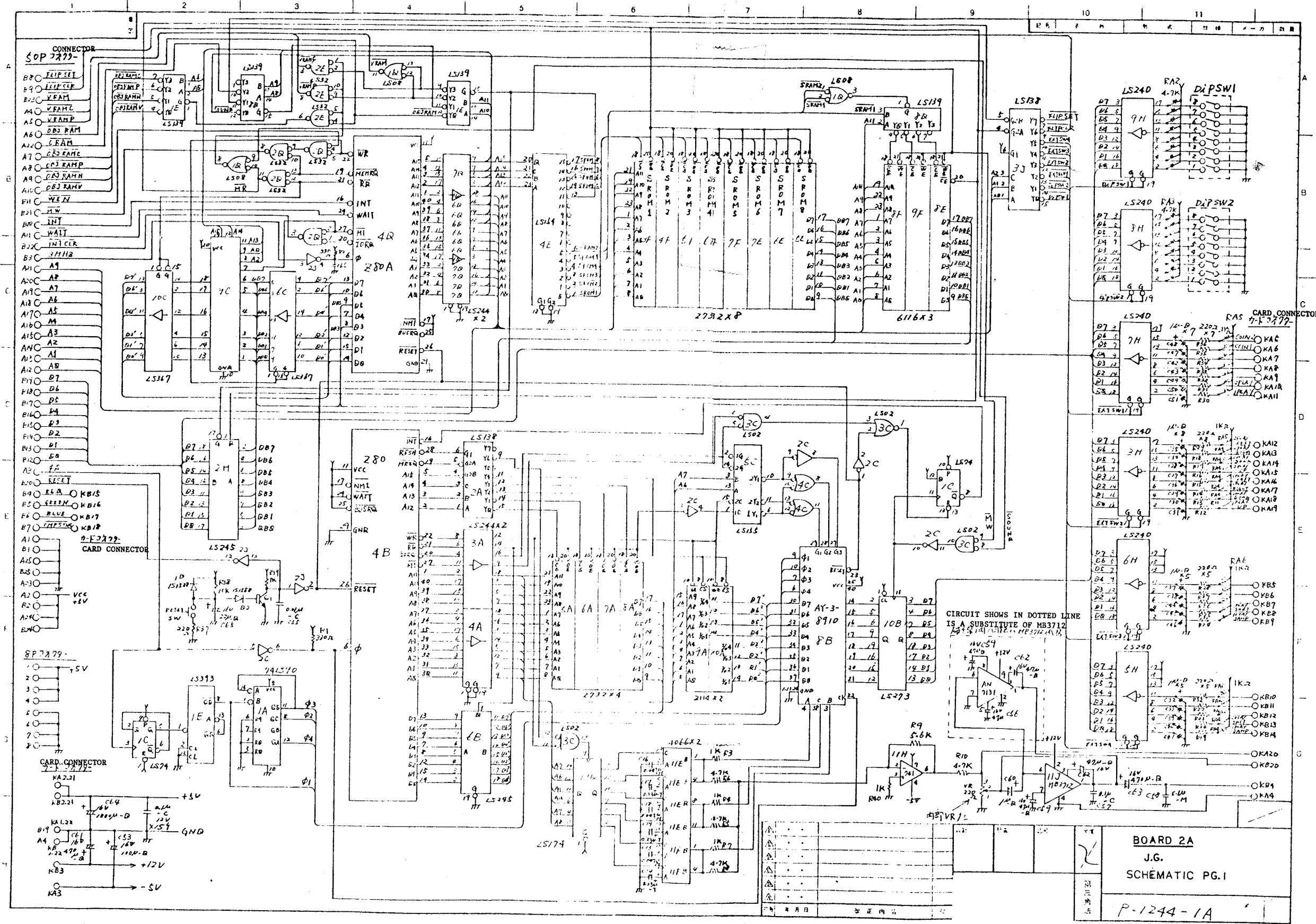


P-1244-2A
MADE IN JAPAN

50P 3779-

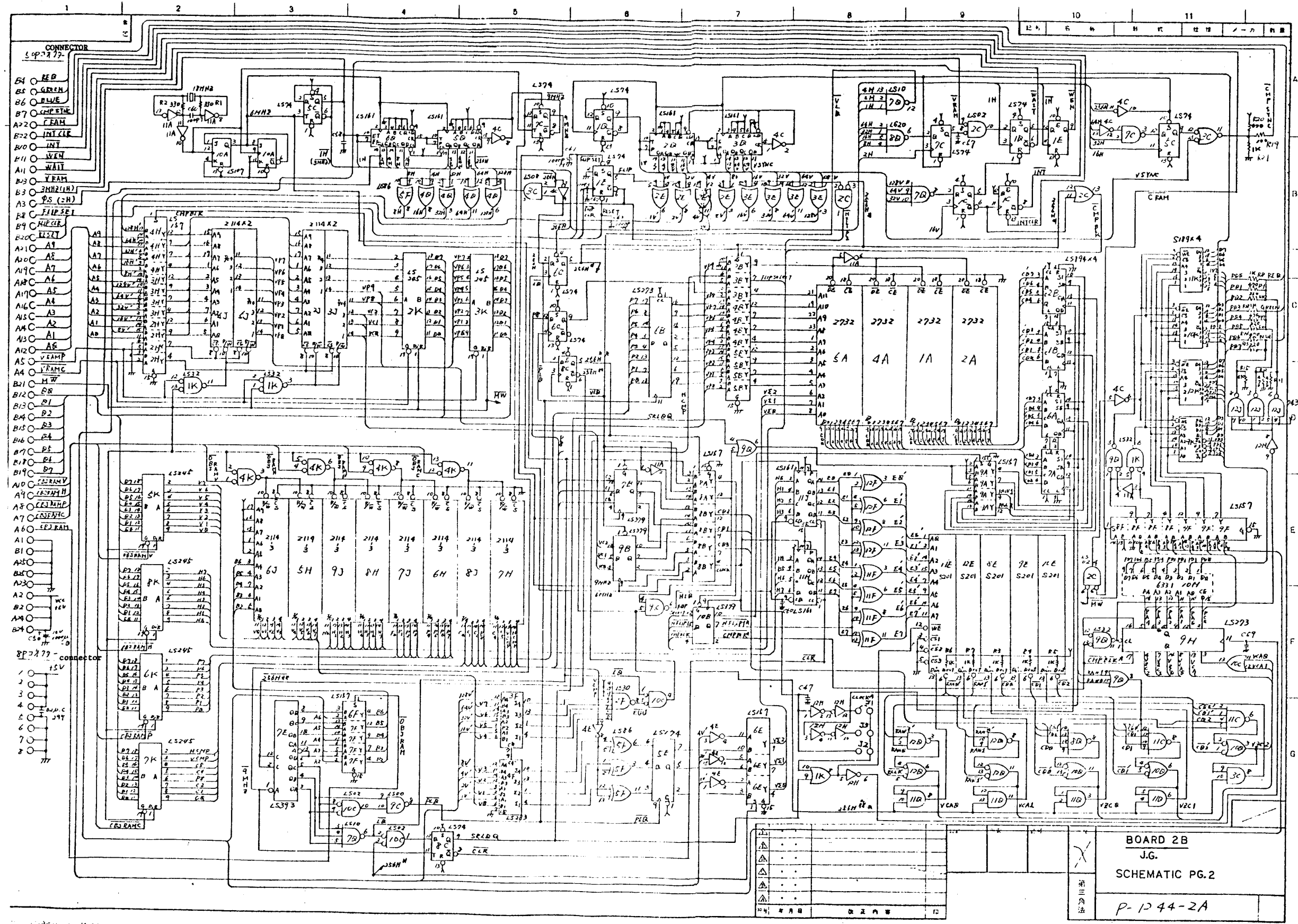
8P 3779-

BOARD 2B
JG.-PARTS LAYOUT PG. 2



BOARD 2A
J.G.
SCHEMATIC PG.1

P-1244-1A



BOARD 2B
J.G.
SCHEMATIC PG.2

P-1044-2A

第三角法