

8

7

6

5

D

J2-4 >

+12V

J2-6 > +12V

C51  
.1



C

J2-5 > +5V

+5V1

+5V2

PR1

PR2

PR3

PR4

R26  
1K

R25  
1K

R44  
1K

R86  
1K

C55  
100/35V

C56  
.1

R81  
220

CR3  
MV5053

GND1

GND2

GND3

GND4

J2-1 >

J2-9 >



B

J2-2 > -5V

C52  
.1



-5V

B

CR4

IN4002

J2-3 > -15V/UNREGULATED

J2-7 >

C54  
10/35V

C53  
.1



7915

CASE

I

O

C

C58  
10/35V

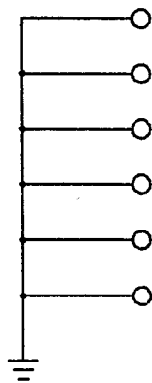
C57  
.1

-15V

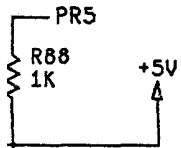
D

J2-8 >

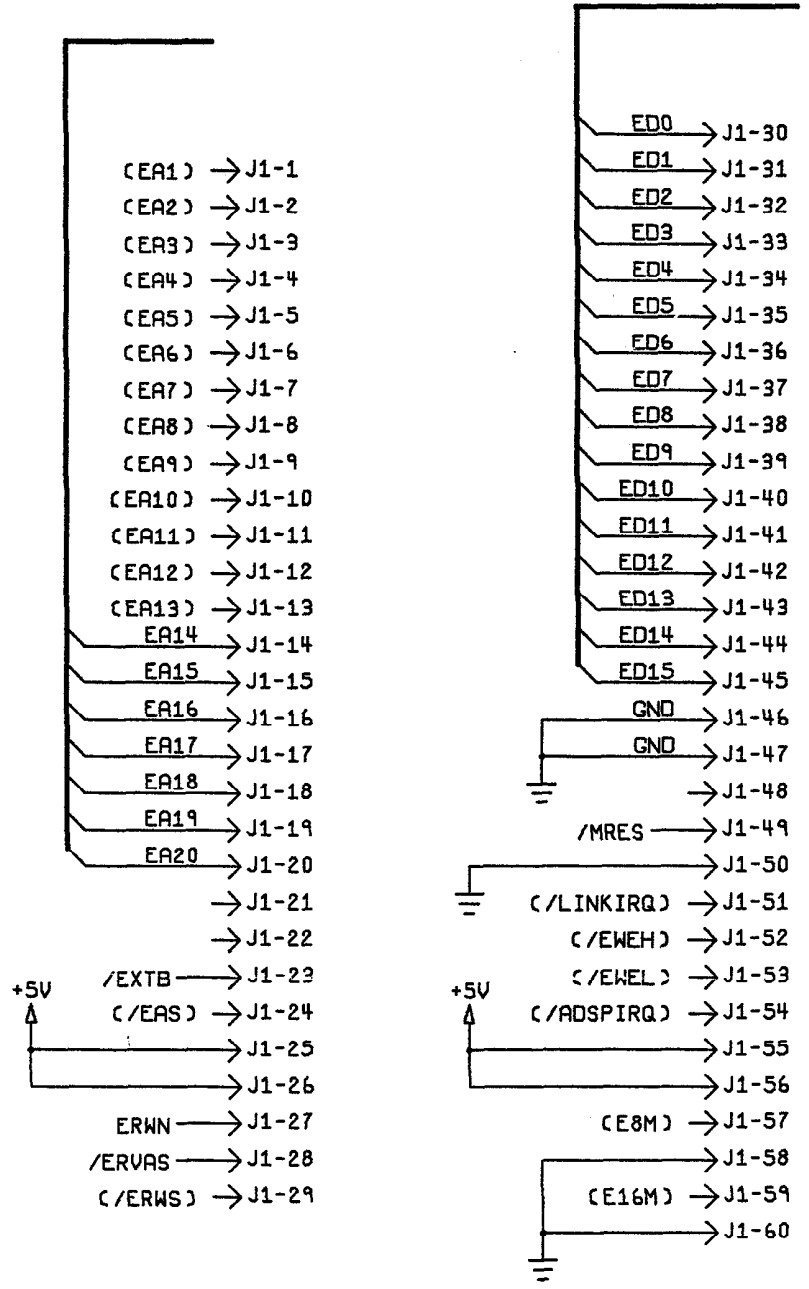
MOUNTING



REVISIONS					
BY	DESCRIPTION	DATE	INCRP	CHECK	APPROVED
A	PRODUCTION REL	6-30-88	STAFF	<i>[Signature]</i>	



IG HOLES



**NEXT ASSY**    **FIRST USED ON**

NOTICE TO ALL PERSONS RECEIVING THIS DRAWING: THIS DRAWING IS THE PROPERTY OF ATARI GAMES CORPORATION. IT IS TO BE KEPT CONFIDENTIAL AND NOT REPRODUCED OR TRANSMITTED IN ANY FORM OR BY ANY MEANS, ELECTRONIC OR MECHANICAL, INCLUDING PHOTOCOPYING, RECORDING, OR BY ANY INFORMATION STORAGE AND RETRIEVAL SYSTEM, WITHOUT THE WRITTEN PERMISSION OF ATARI GAMES CORPORATION. ANY UNAUTHORIZED REPRODUCTION OR TRANSMISSION OF THIS DRAWING IS STRICTLY PROHIBITED AND WILL BE PROSECUTED TO THE FULL EXTENT OF THE LAW.

**DO NOT SCALE DRAWING**  
UNLESS OTHERWISE SPECIFIED DIMENSIONS ARE IN INCHES  
TOLERANCES ON:  
HOLES ± 1°  
.XX ± .01  
.XXX ± .005

**MATERIAL:**

**FINISH:**

**DRAWN BY** STAFF    **DATE** 6-30-88

**CHECKED BY** *[Signature]*    **DATE** 6-2-88

**ENGR ELECT** *[Signature]*    **DATE** 6-2-88

**PARL ENGR** *[Signature]*    **DATE** 6-2-88

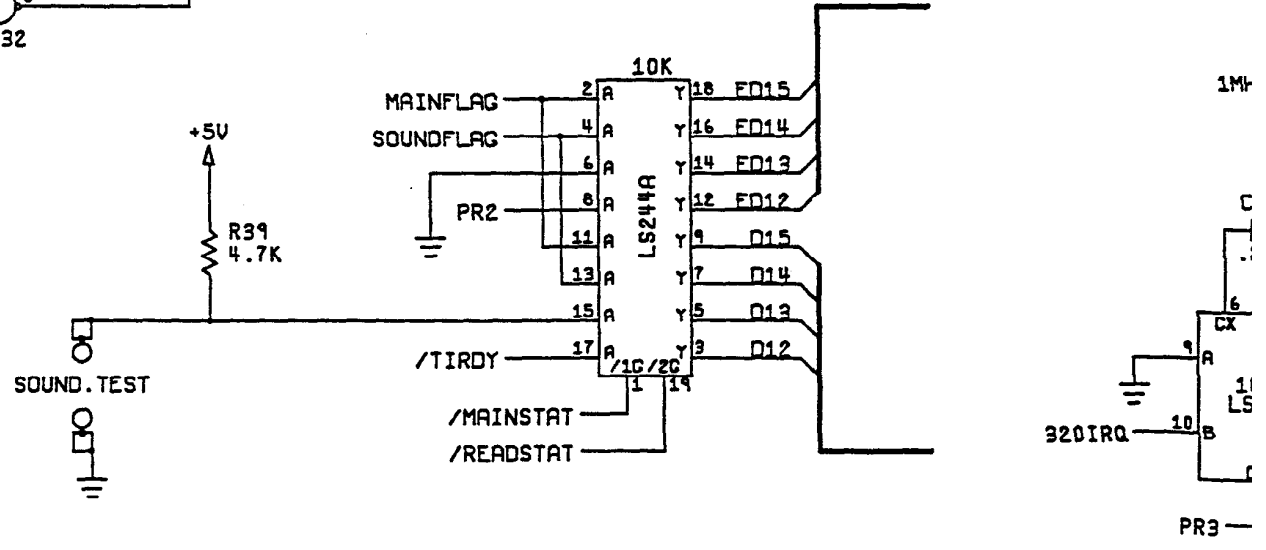
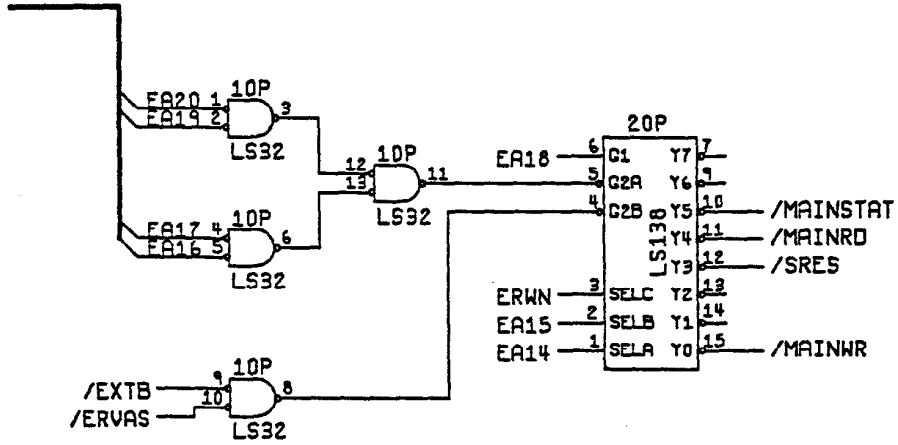
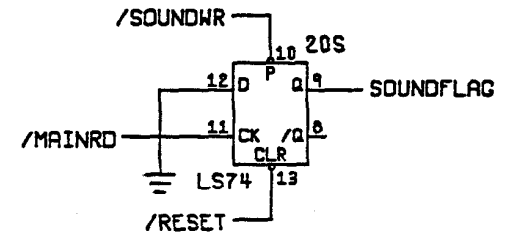
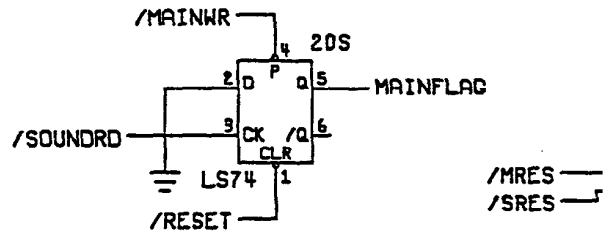
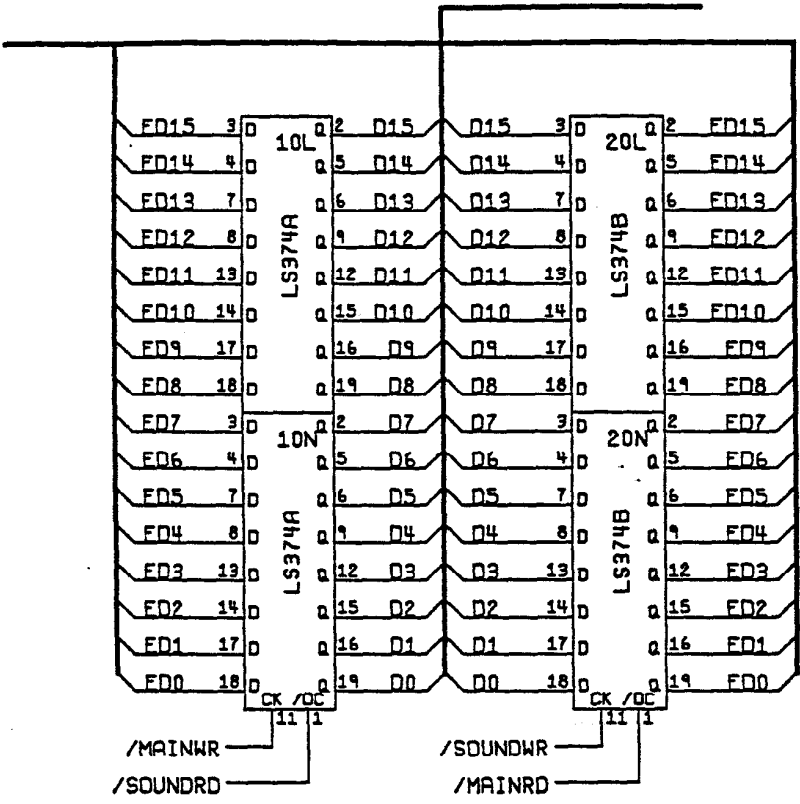
**MFG ENGR** *[Signature]*    **DATE** 6-2-88

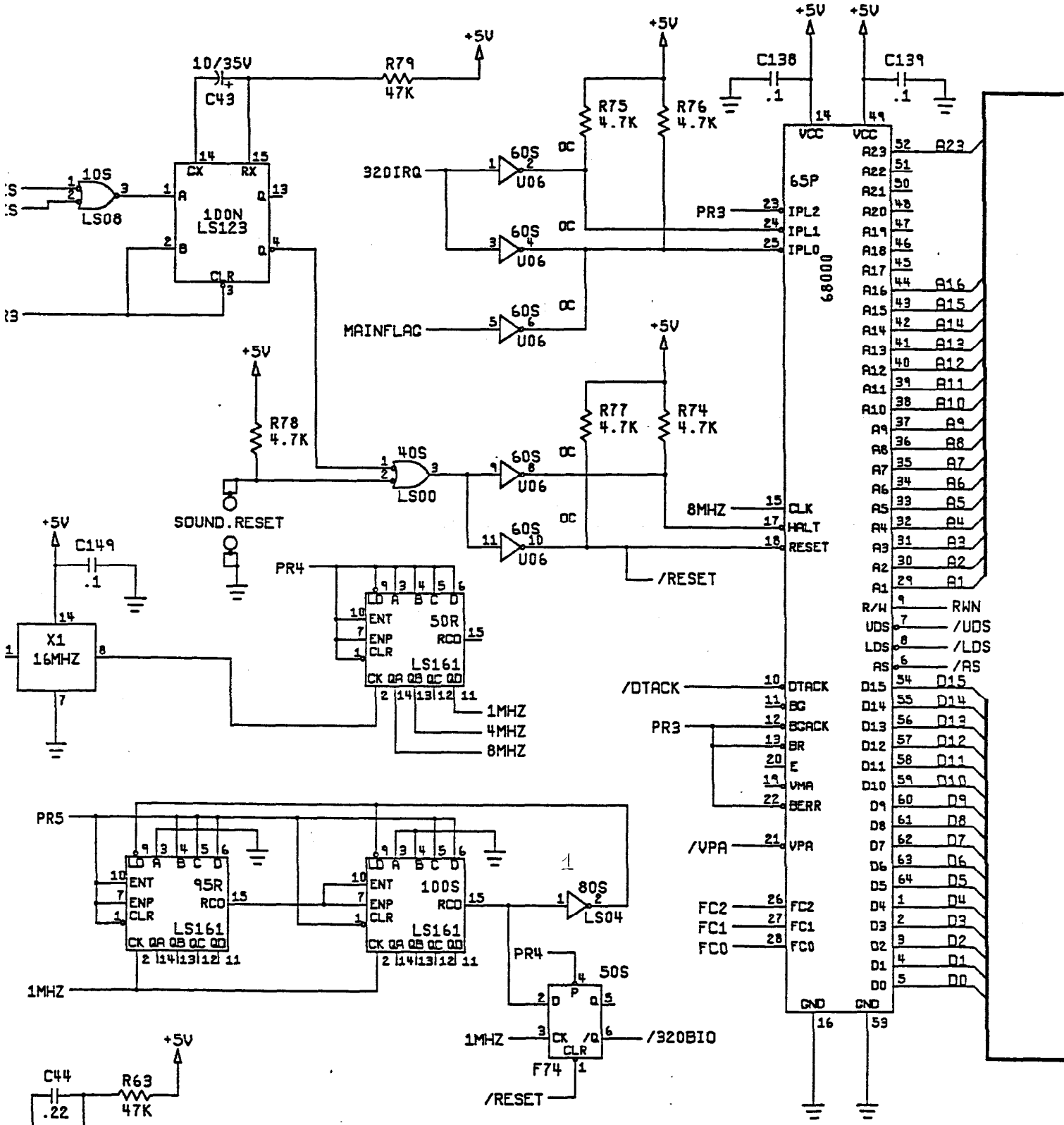
**ATARI**    ATARI GAMES CORP.  
675 SYCAMORE DRIVE  
MILPITAS, CA. 95035

**TITLE**  
SCHEMATIC  
DRIVER SOUND

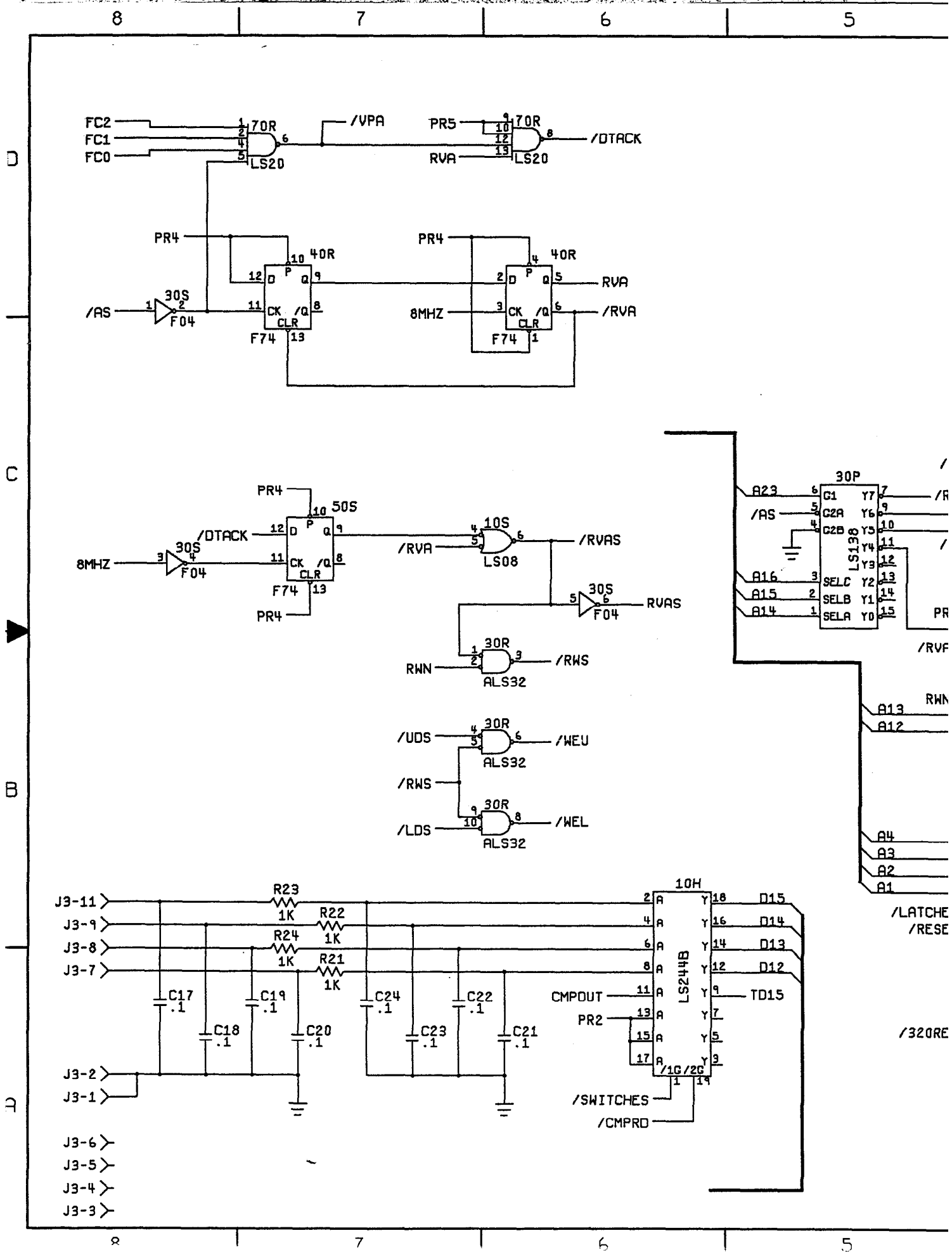
**SIZE** D    **DRAWING NO.** A044427    **REV** A

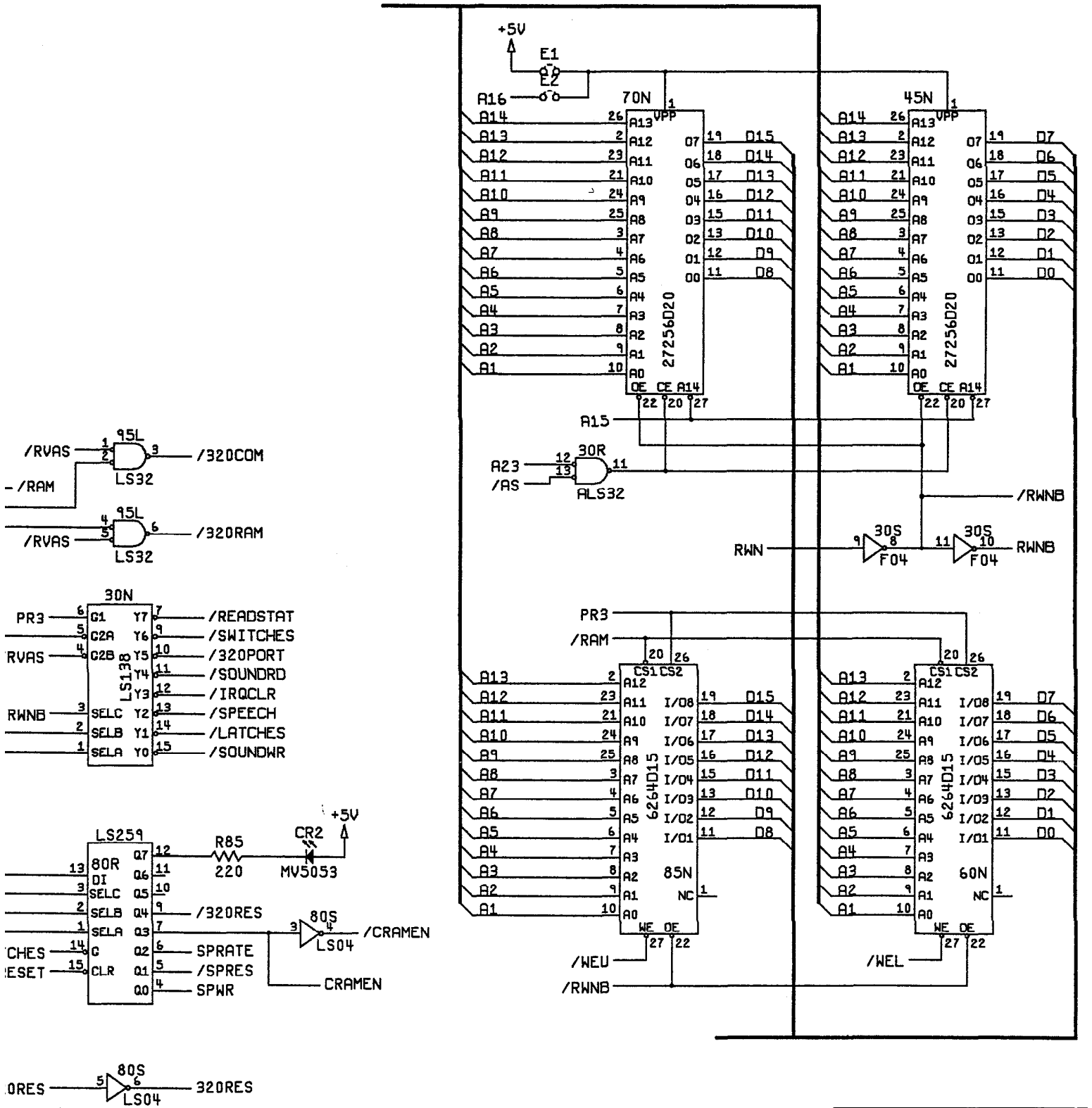
**SCALE** NONE    **SHEET** 1    **OF** 10





<b>ATARI</b>		ATARI GAMES CORP. 675 STOPPERS DRIVE MILPITAS, CA. 95035
TITLE		
<b>SCHEMATIC DRIVER SOUND</b>		
SIZE	DRAWING NO.	REV
D	A044427	D
SCALE	NONE	SHEET 2 OF 10



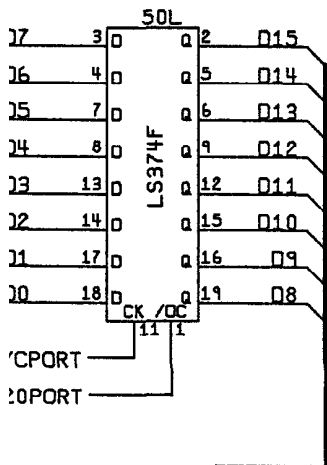
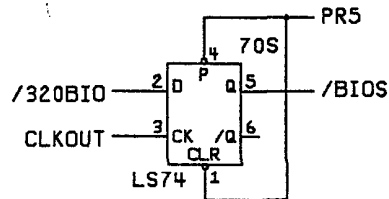
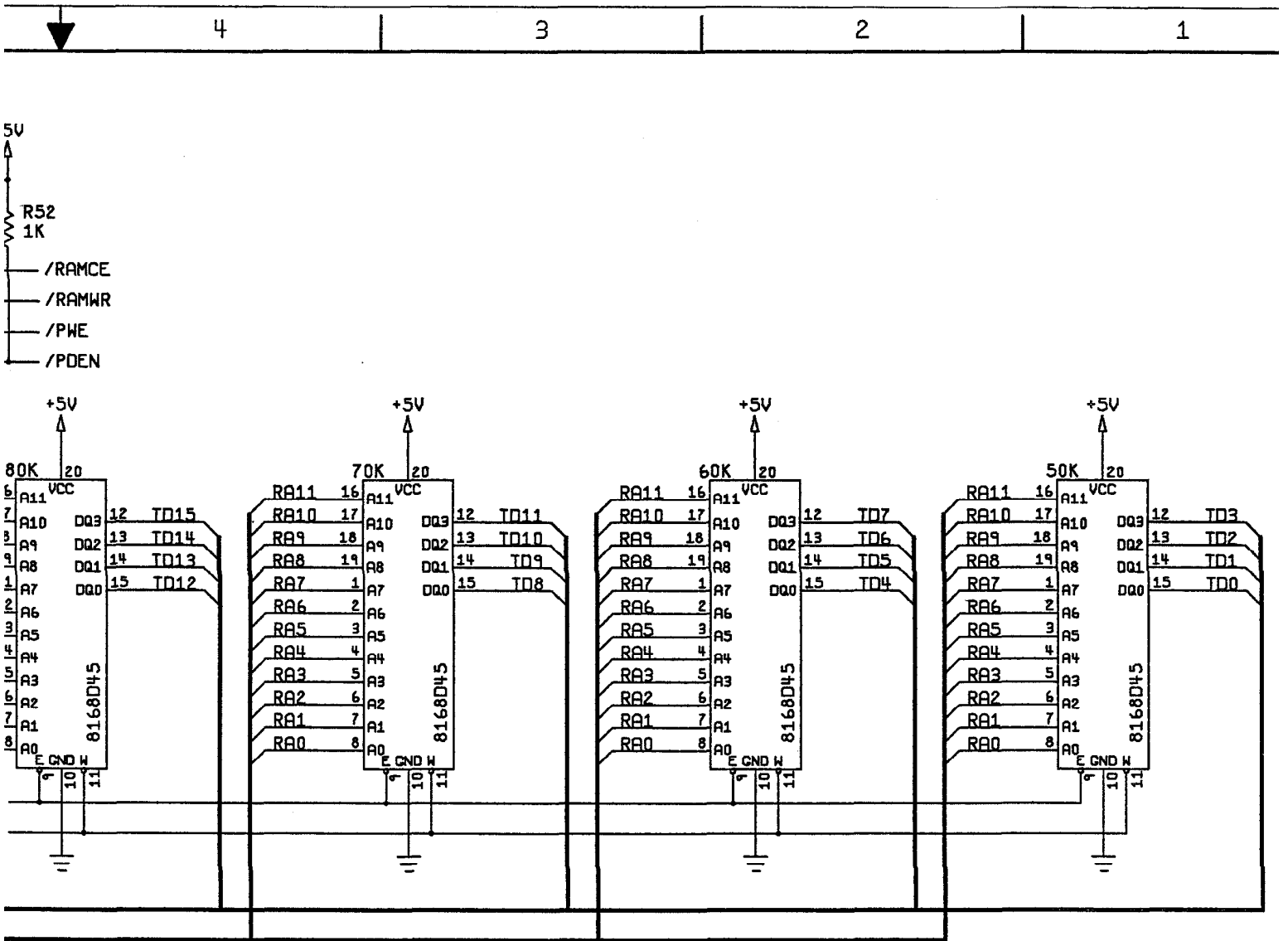


**ATARI** ATARI GAMES CORP.  
675 SYCAMORE DRIVE  
MENLO PARK, CA. 94035

TITLE  
**SCHEMATIC  
DRIVER SOUND**

SIZE <b>D</b>	DRAWING NO. <b>A044427</b>	REV <b>A</b>
SCALE NONE	SHEET 3	OF 10





<b>ATARI</b>		ATARI GAMES CORP. 675 STEPHORE DRIVE MILPITAS, CA. 95035
TITLE		
<b>SCHEMATIC DRIVER SOUND</b>		
SIZE	DRAWING NO.	REV
D	A044427	A
SCALE	NONE	SHEET 4 OF 10

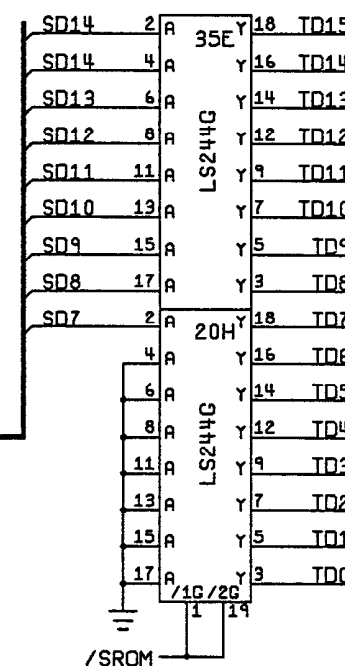
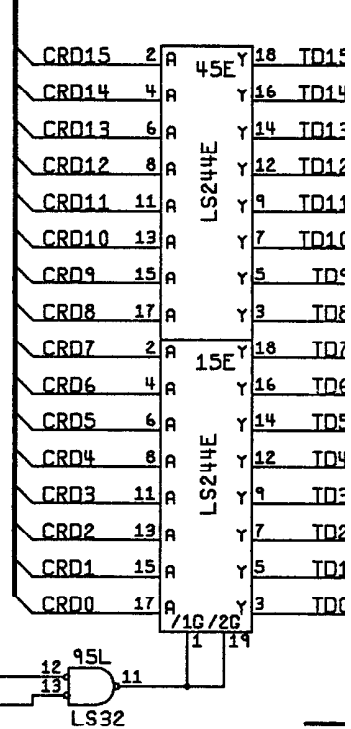
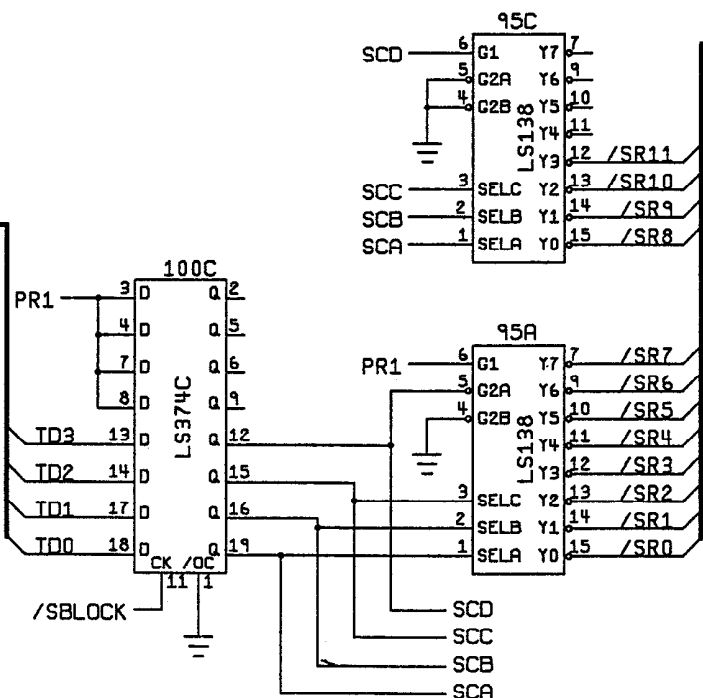
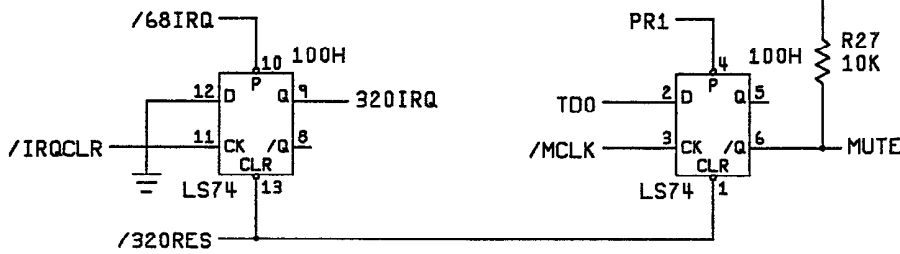
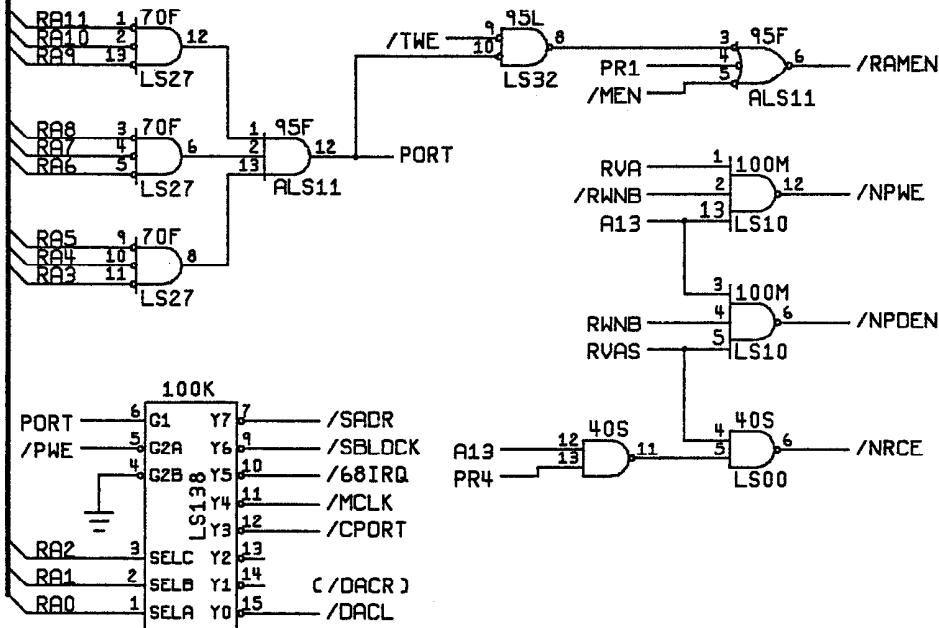


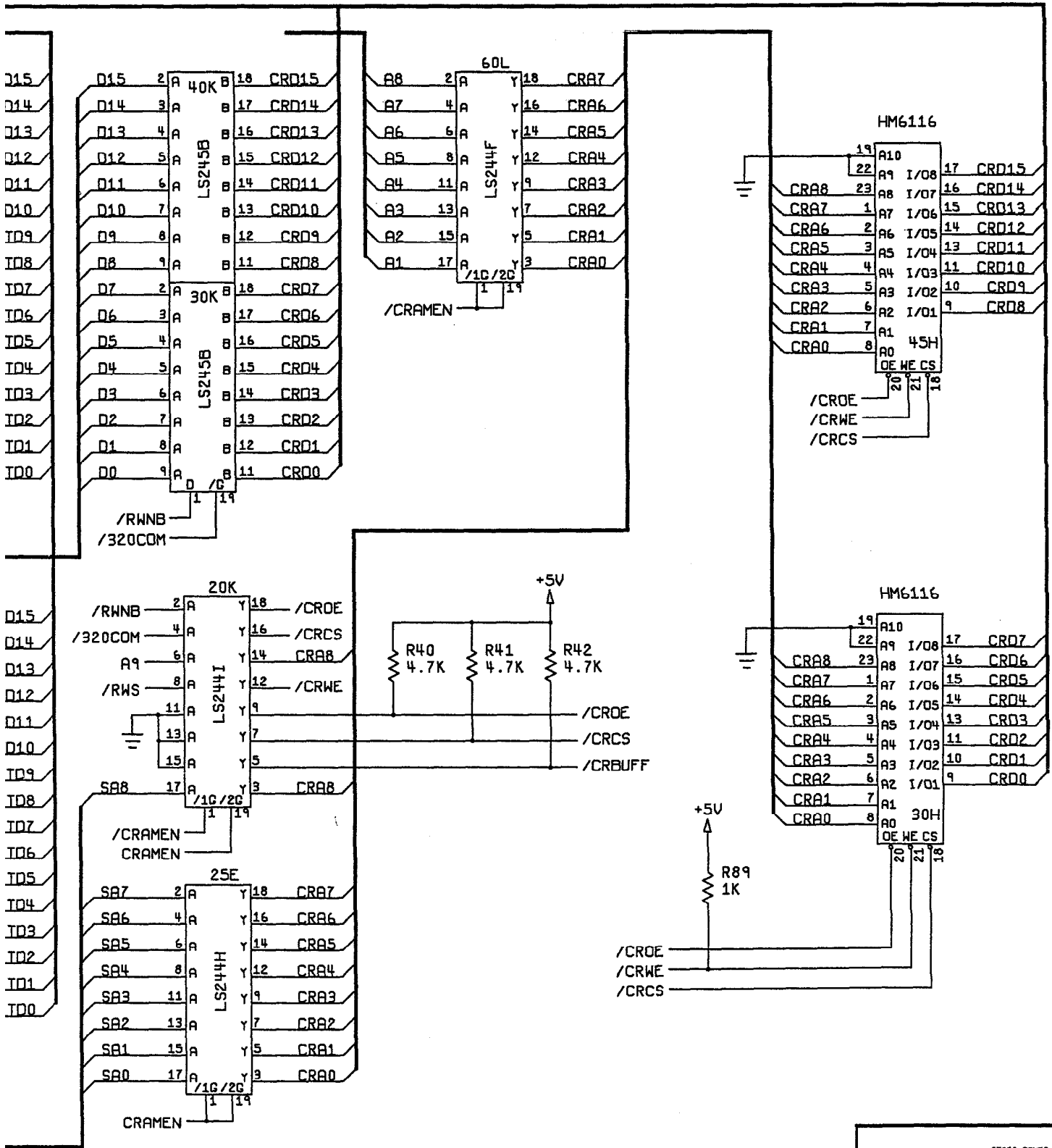
D

C

B

A





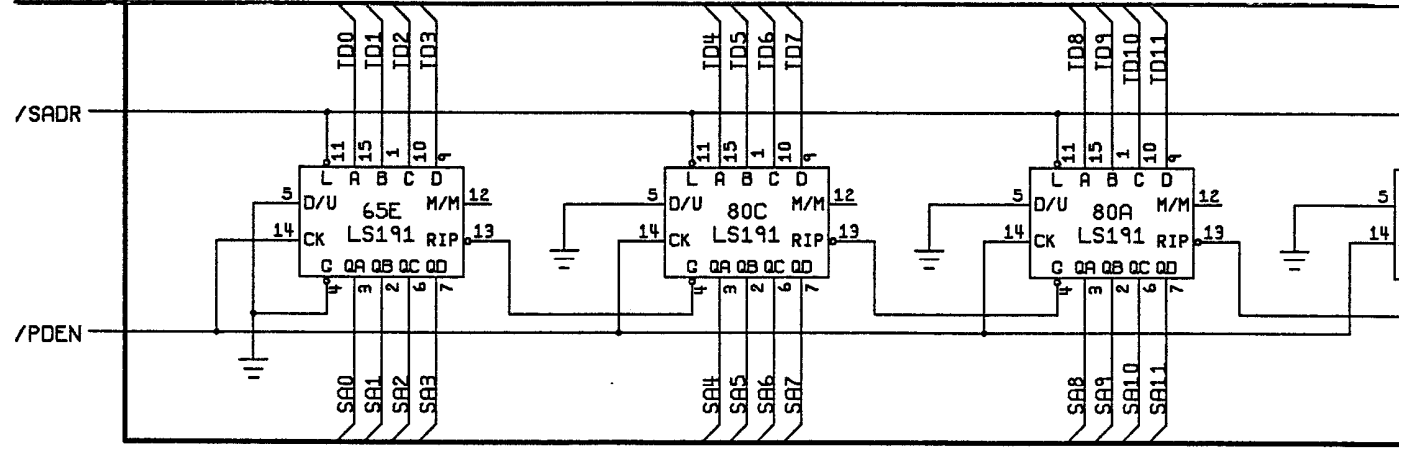
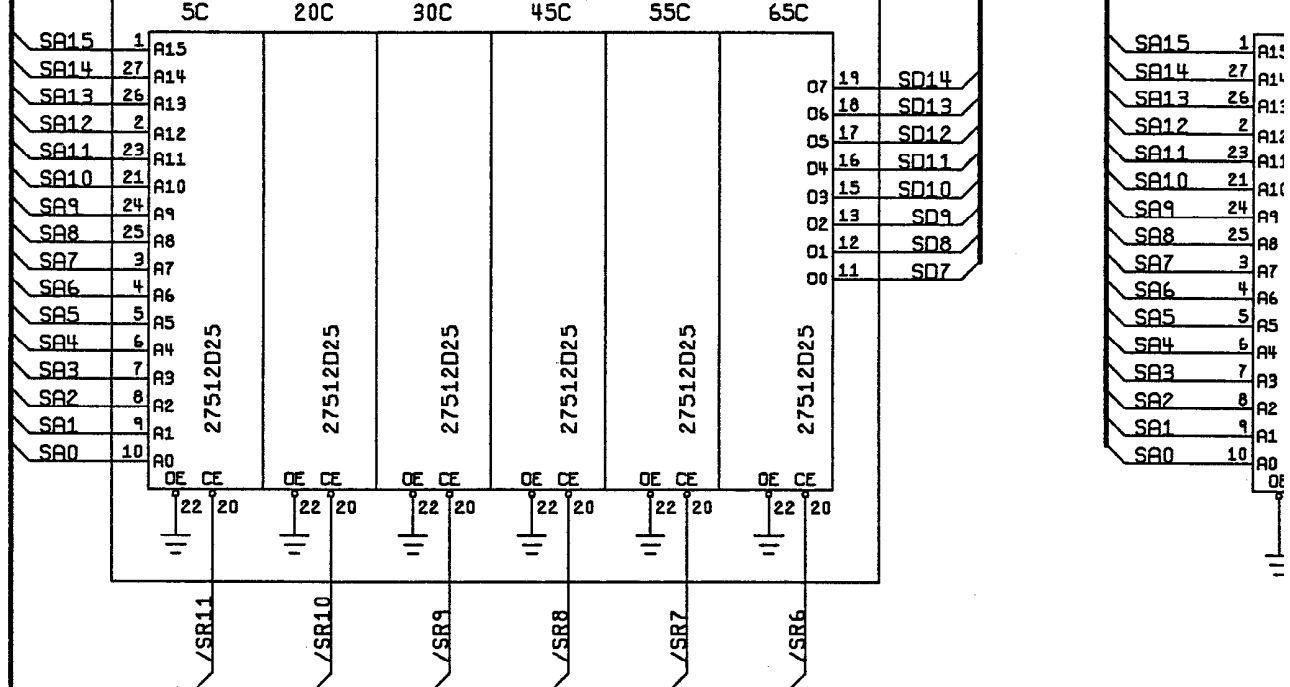
**ATARI** ATARI GAMES CORP.  
673 SYCAMORE DRIVE  
MILPITAS, CA. 95035

TITLE  
**SCHEMATIC  
DRIVER SOUND**

SIZE	DRAWING NO.	REV
D	A044427	A
SCALE	NONE	SHEET 5 OF 10

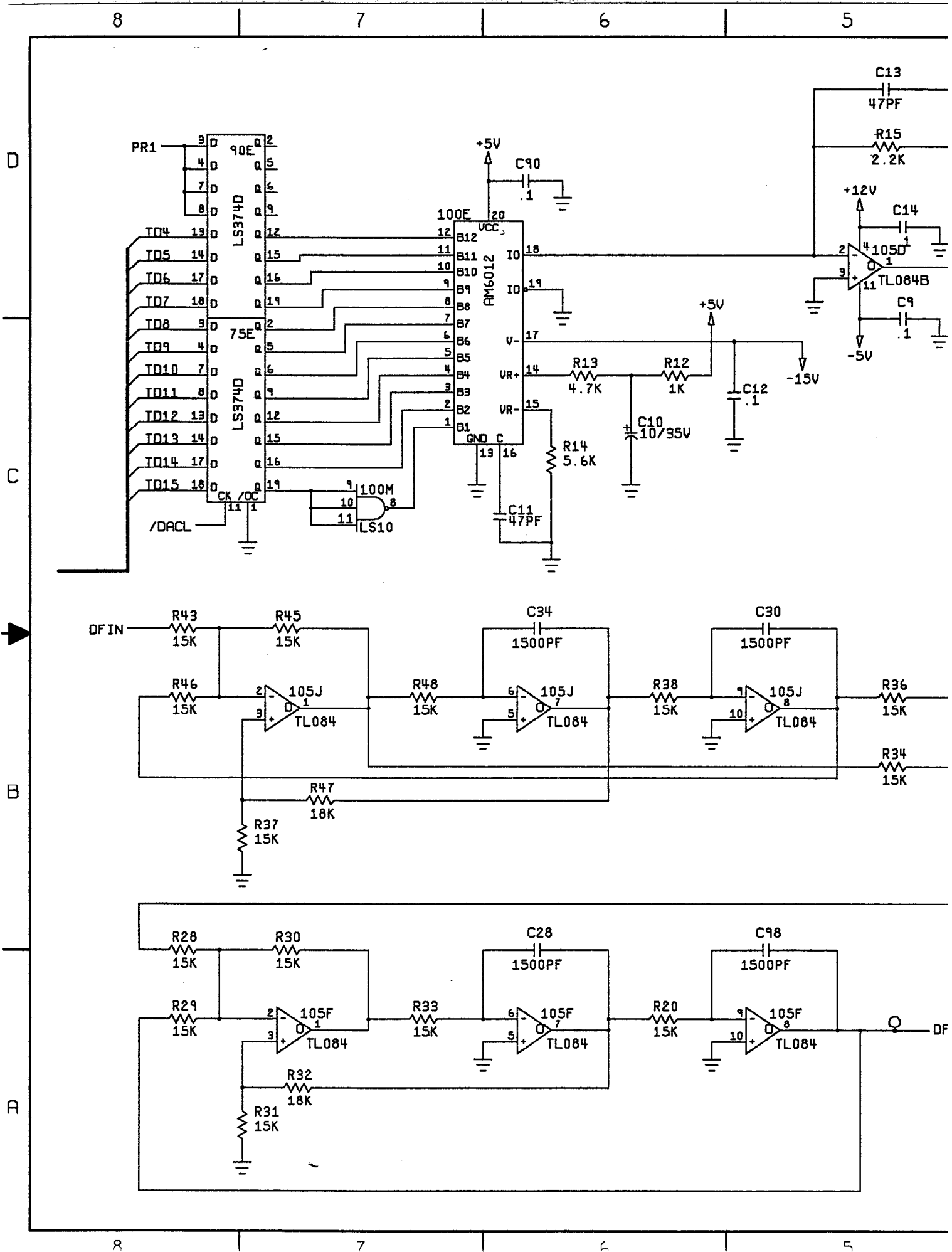
8 7 6 5

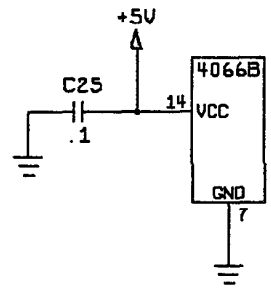
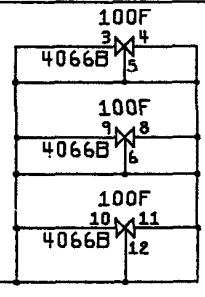
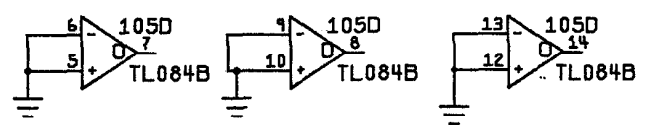
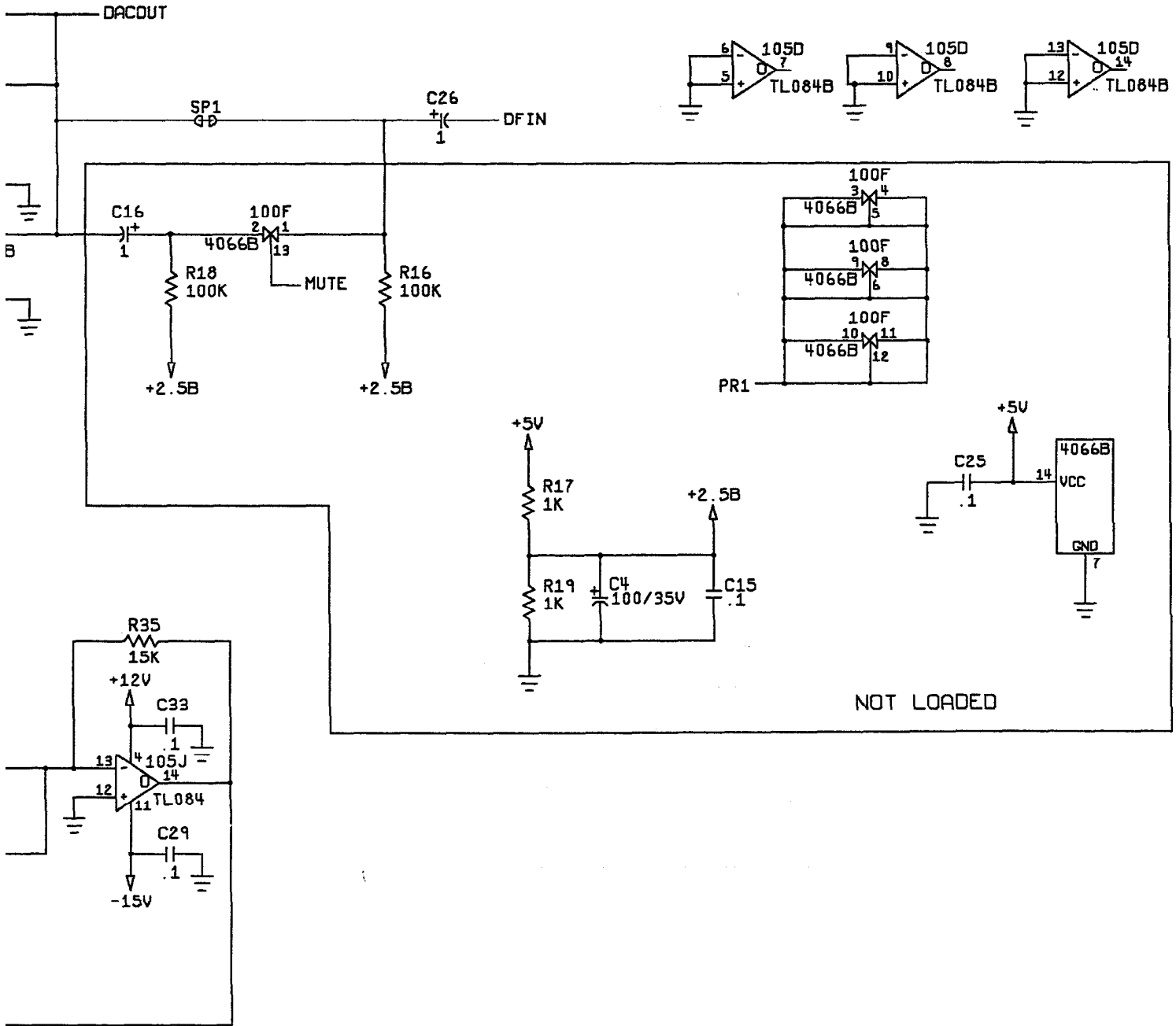
NOT LOADED



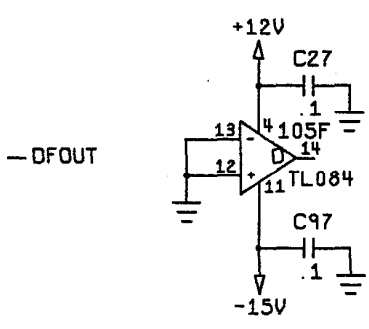
8 7 6 5







NOT LOADED



ATARI		ATARI GAMES CORP. 675 SYCAMORE DRIVE MILPITAS, CA. 95035	
TITLE			
SCHEMATIC DRIVER SOUND			
SIZE	DRAWING NO.	REV.	
D	A044427	A	
SCALE	NONE	SHEET 7	OF 10

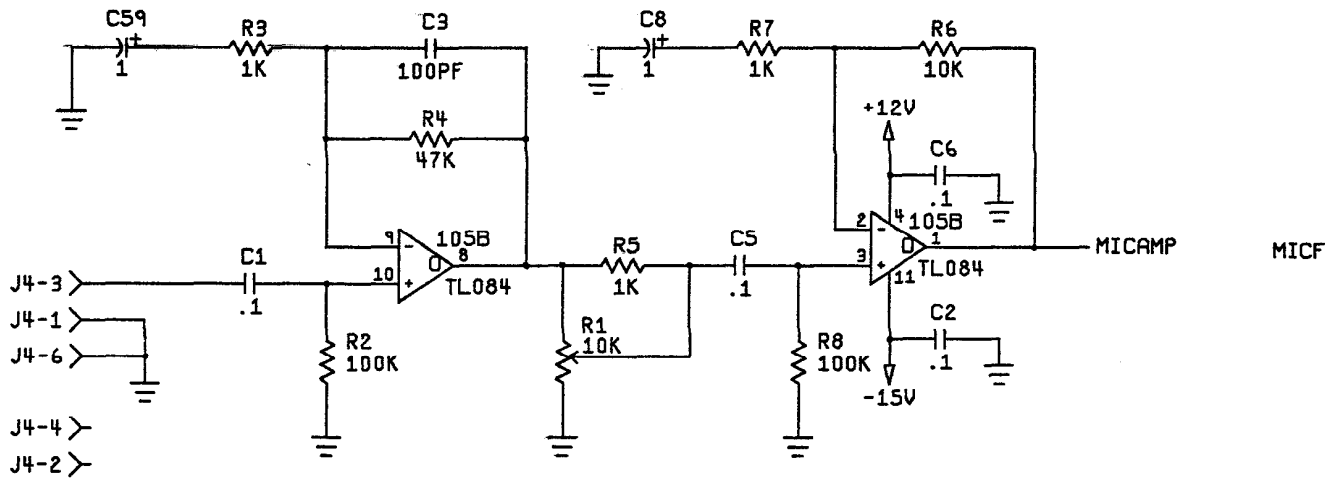
8

7

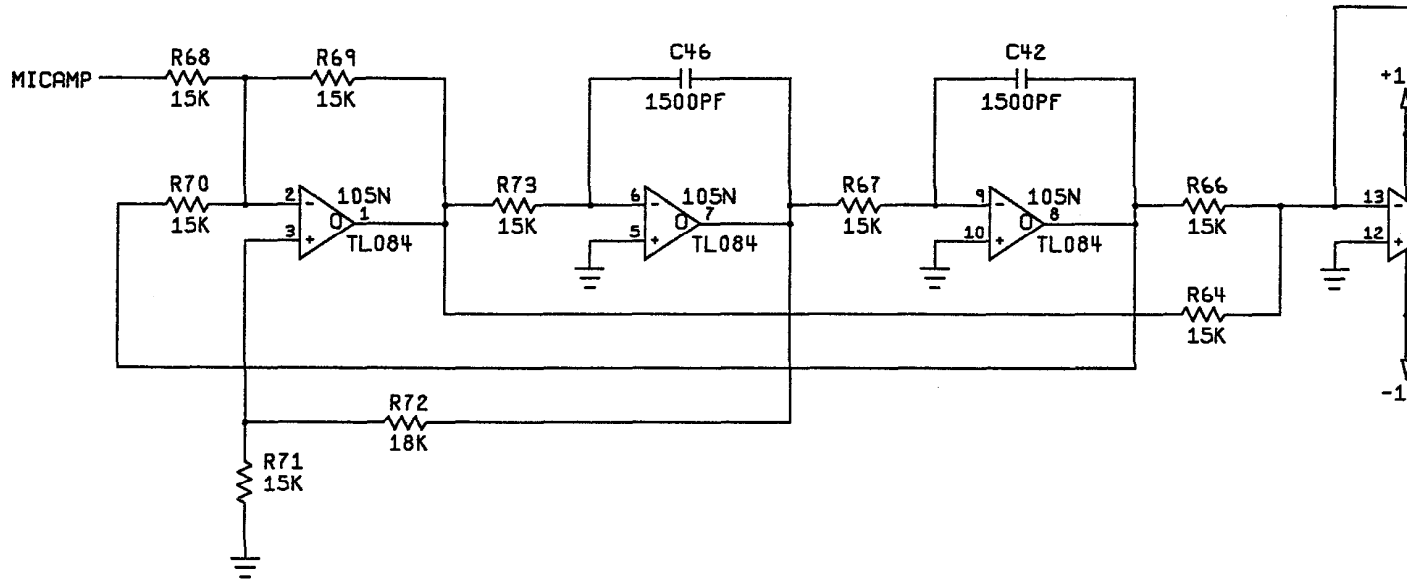
6

5

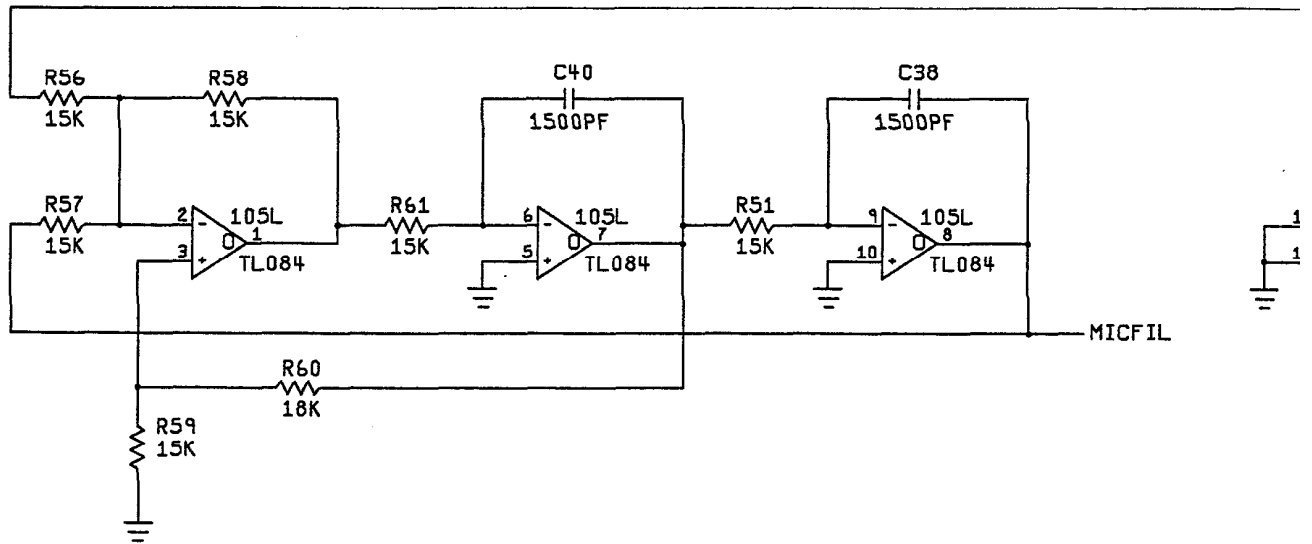
D



C



B



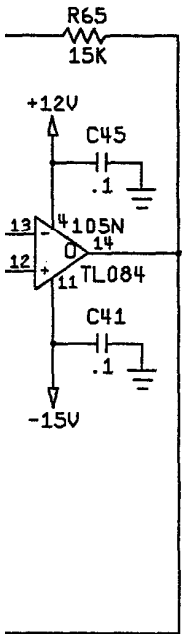
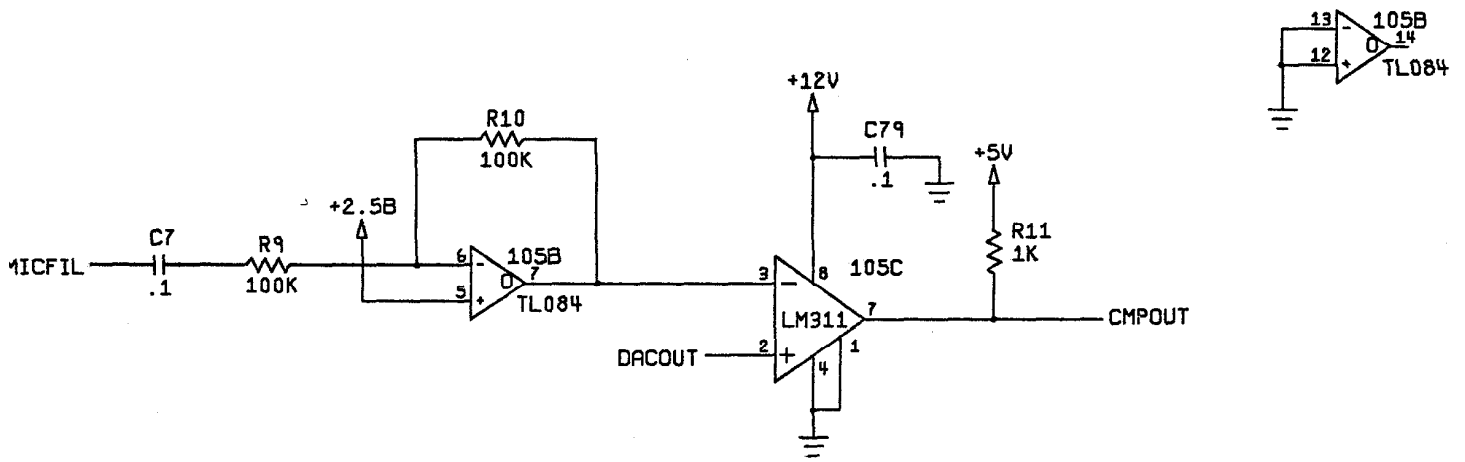
A

8

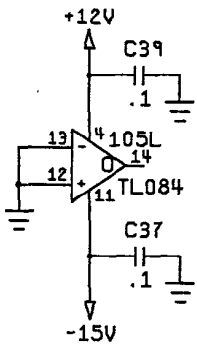
7

6

5



THIS SHEET NOT LOADED.



ATARI		ATARI GAMES CORP. 675 STANFORD DRIVE MILPITAS, CA. 95035
TITLE		
SCHEMATIC DRIVER SOUND		
SIZE	DRAWING NO.	REV
□	A044427	A
SCALE	NONE	SHEET 8 OF 10



8

7

6

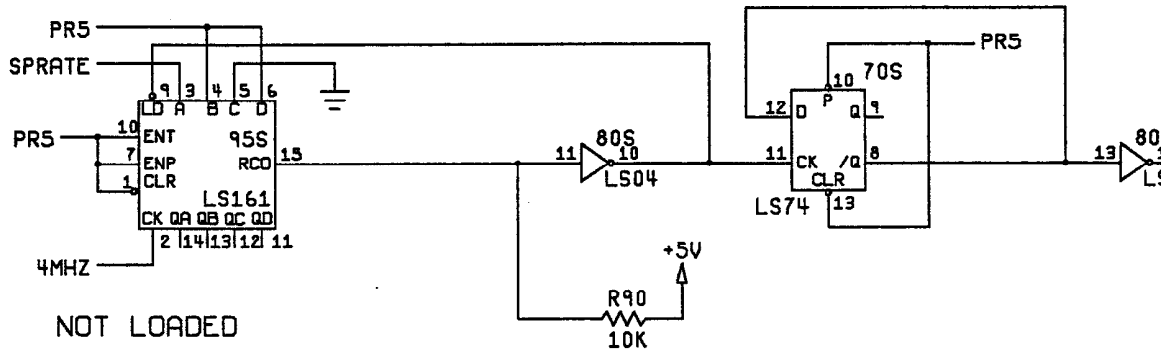
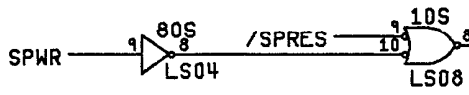
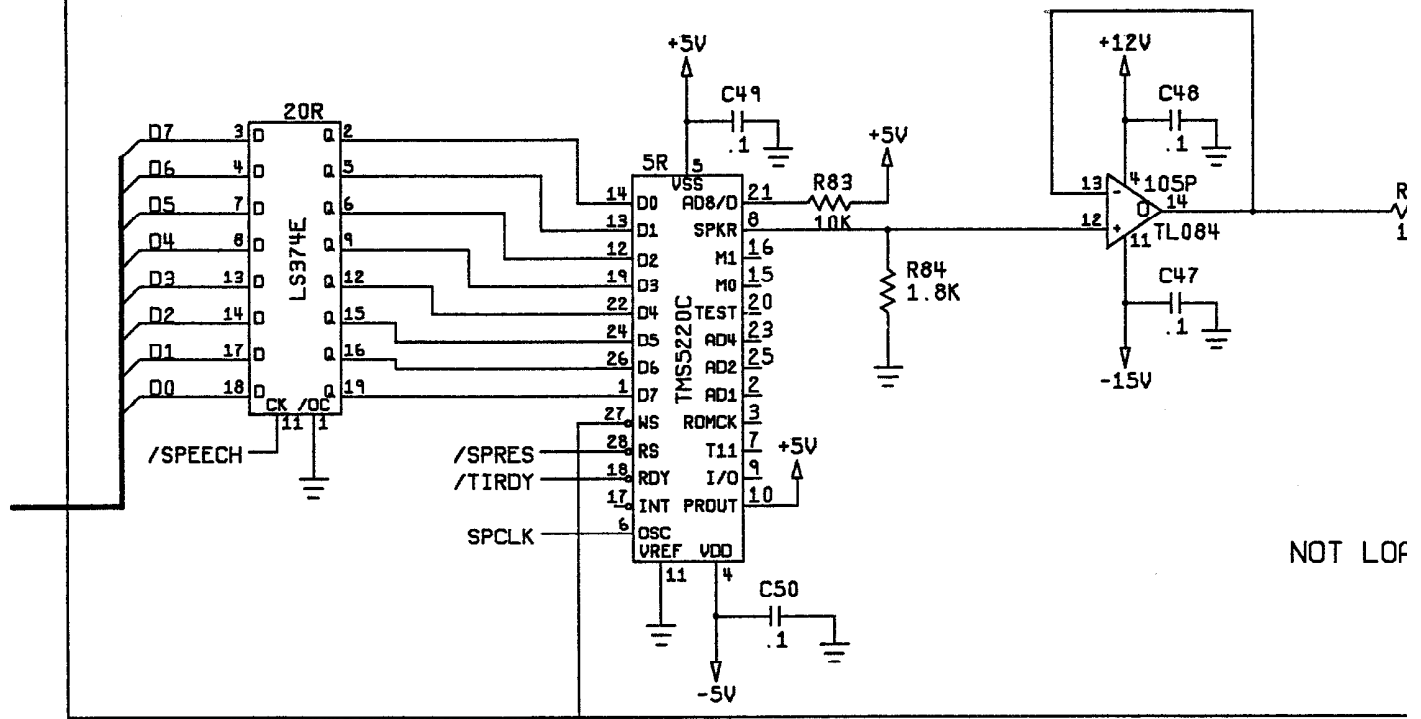
5

D

C

B

A

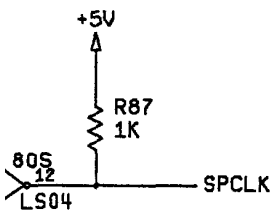
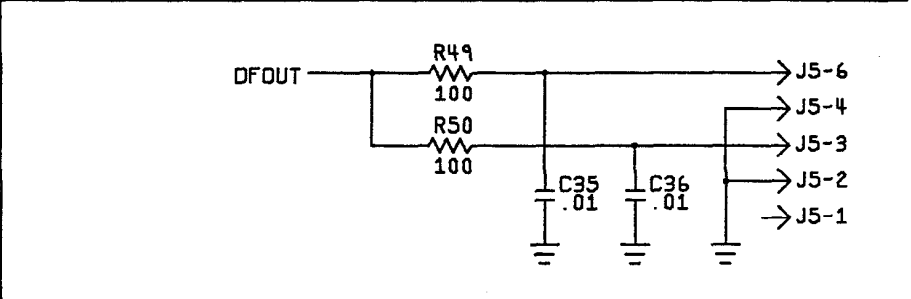
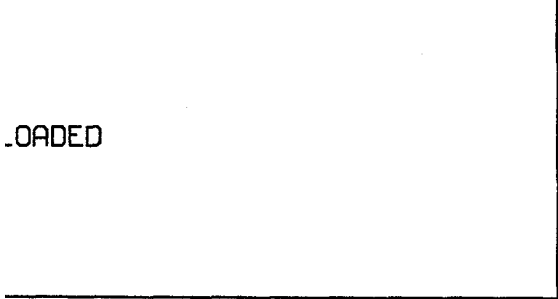
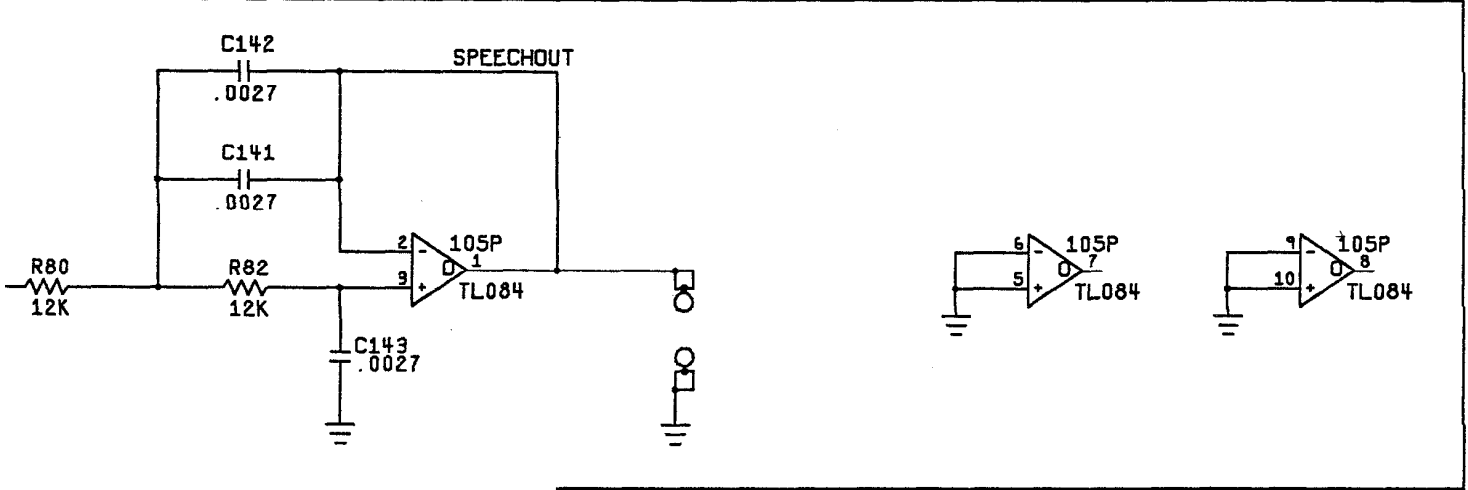


8

7

6

5



ATARI		ATARI GAMES CORP. 673 STORMORE DRIVE MILPITAS, CA. 95035	
TITLE			
SCHEMATIC DRIVER SOUND			
SIZE	DRAWING NO.	REV	
D	A044427	A	
SCALE	NONE	SHEET 9	OF 10

8

7

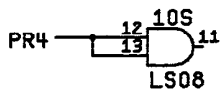
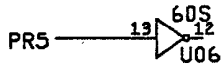
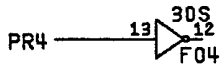
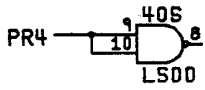
6

5

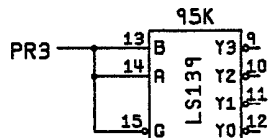
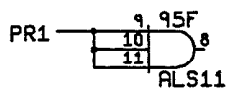
(BYPASS)

+5V

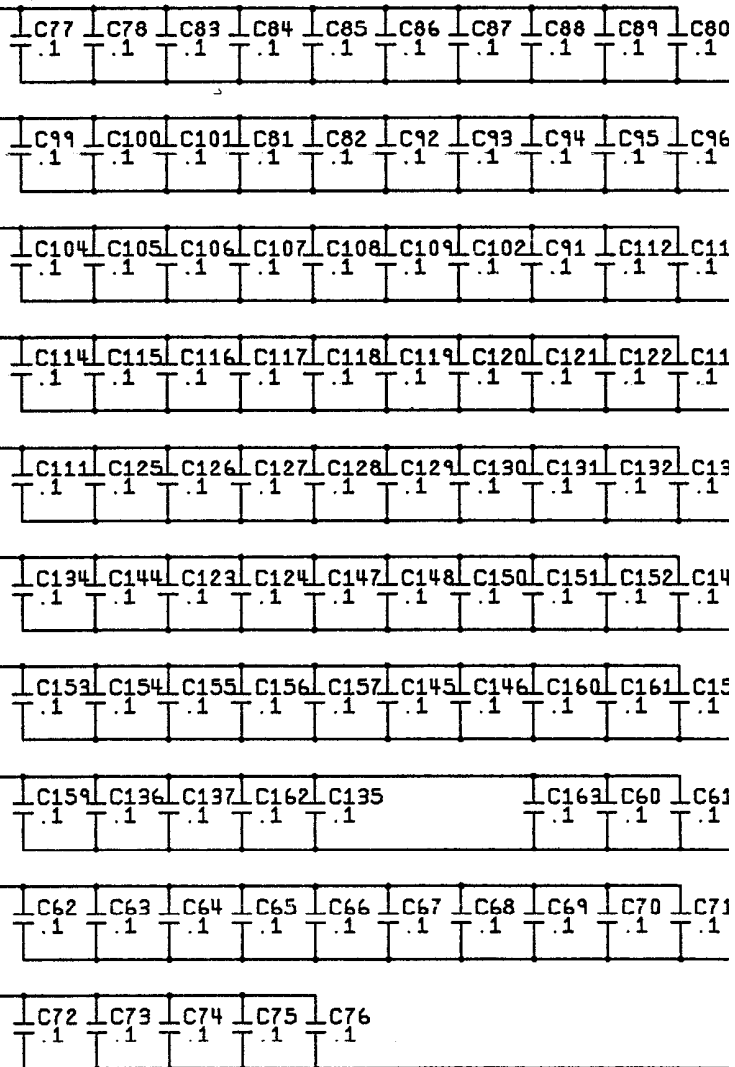
D



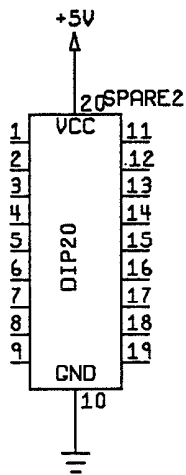
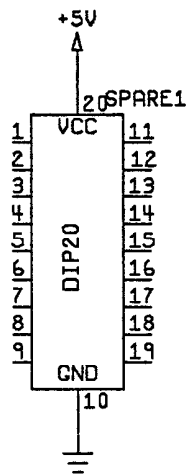
C



B



A



8

7

6

5

C80  
.1

C96  
.1

C113  
.1

C110  
.1

C139  
.1

C140  
.1

C158  
.1

C61  
.1

C71  
.1

ATARI		ATARI GAMES CORP. 675 SYCAMORE DRIVE MILPITAS, CA. 95035	
TITLE			
SCHEMATIC DRIVER SOUND			
SIZE	DRAWING NO.	REV	
D	A044427	A	
SCALE	NONE	SHEET 10	OF 10