

GND	A	1	GND
GND	B	2	GND
+5V	C	3	+5V
+5V	D	4	+5V
NK	E	5	N/C
+5V	F	6	N/C
PLAY 2 DOWN	H	7	N/C
COIN 2	J	8	COIN 1
N/C	K	9	PLAY 1 DOWN
PLAY 1 START	L	10	PLAY 2 START
PLAY 1 LEFT	M	11	PLAY 1 RIGHT
PLAY 1 FIRE	N	12	PLAY 2 FIRE
PLAY 2 LEFT	P	13	PLAY 2 RIGHT
PLAY 1 UP	R	14	PLAY 2 UP
N/C	S	15	N/C
RED	T	16	GREEN
BLUE	U	17	SYNC
N/C	V	18	SPEAKER
+12V	W	19	+12V
+12V	X	20	+12V
GND	Y	21	GND
GND	Z	22	GND

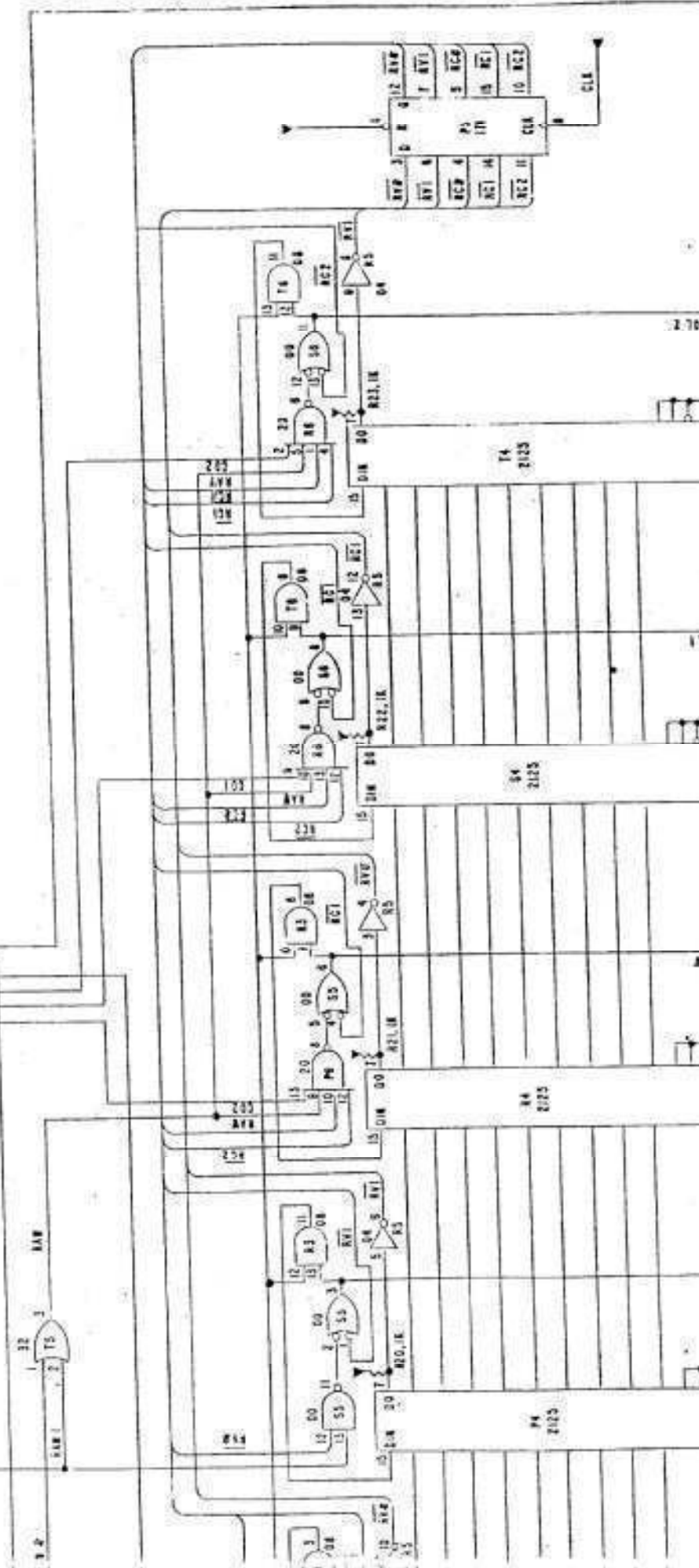
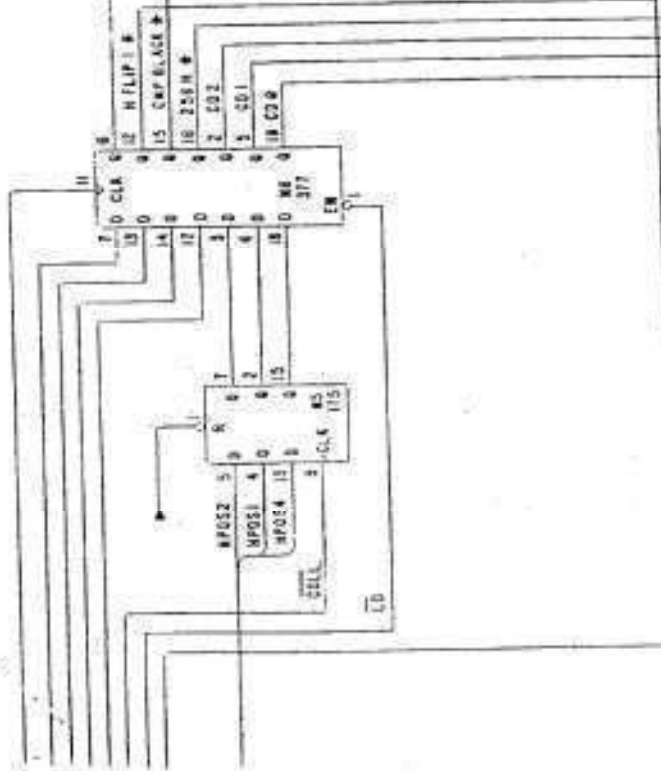
DESCRIPTION	APP	DATE	
			Hex Pool

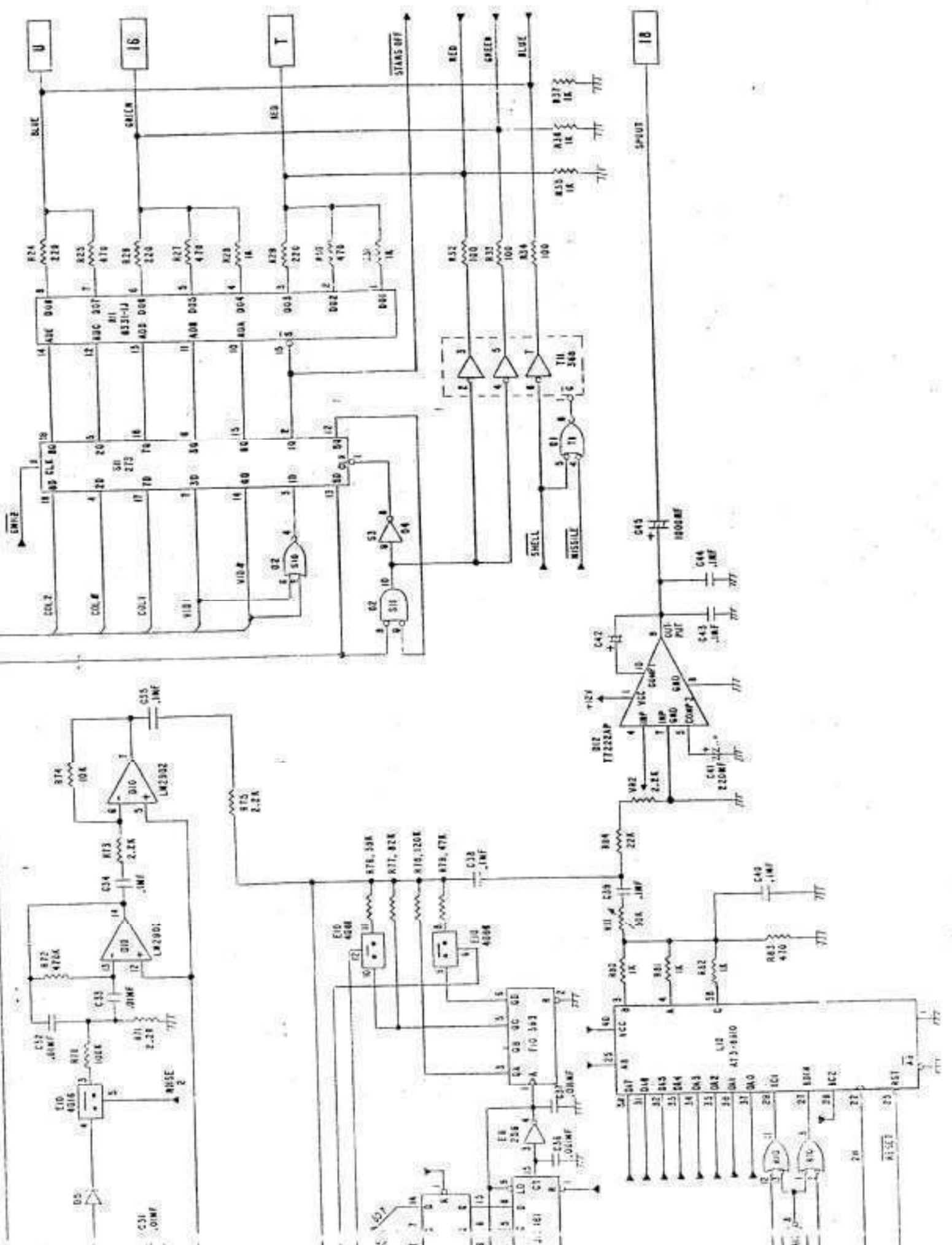
Hex Pool

1	2	3	4	5
---	---	---	---	---

Hex Pool P1 of 4

NO. 1





U

16

T

18

STARS OFF

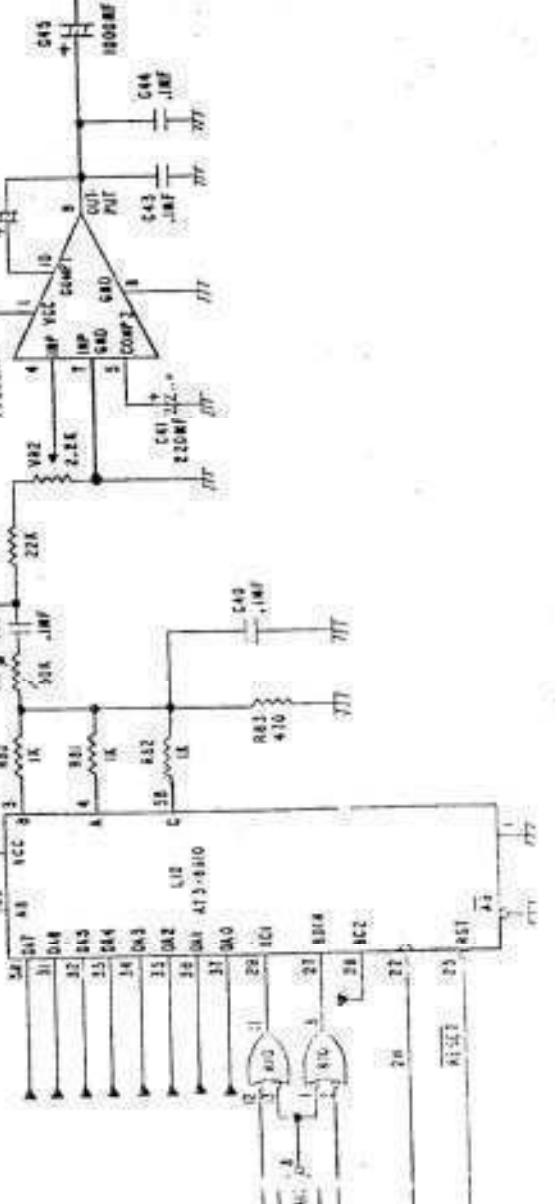
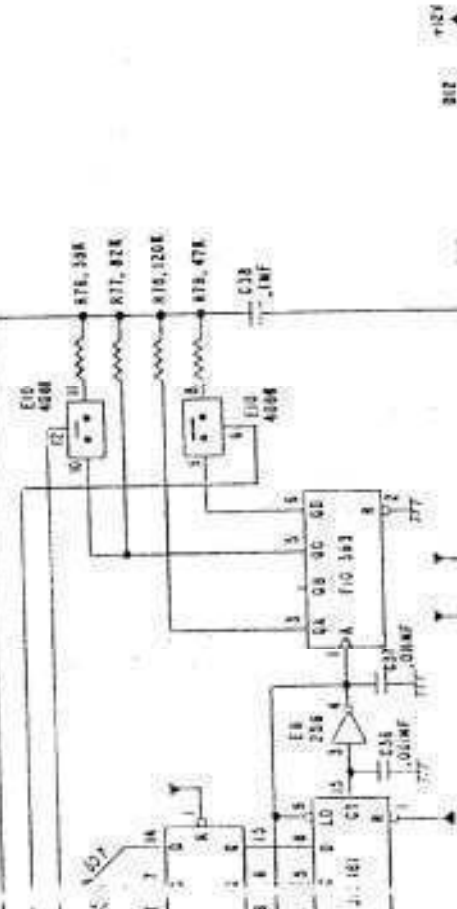
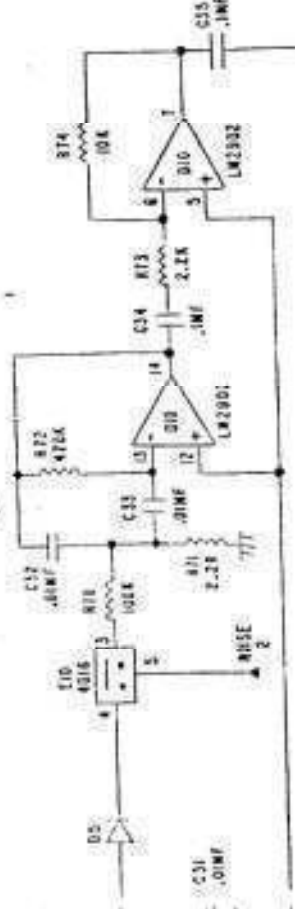
RED

GREEN

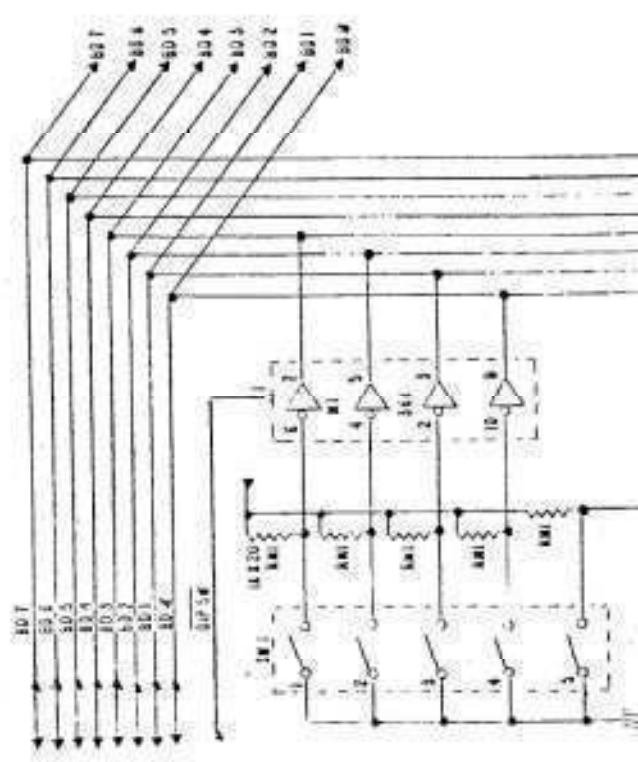
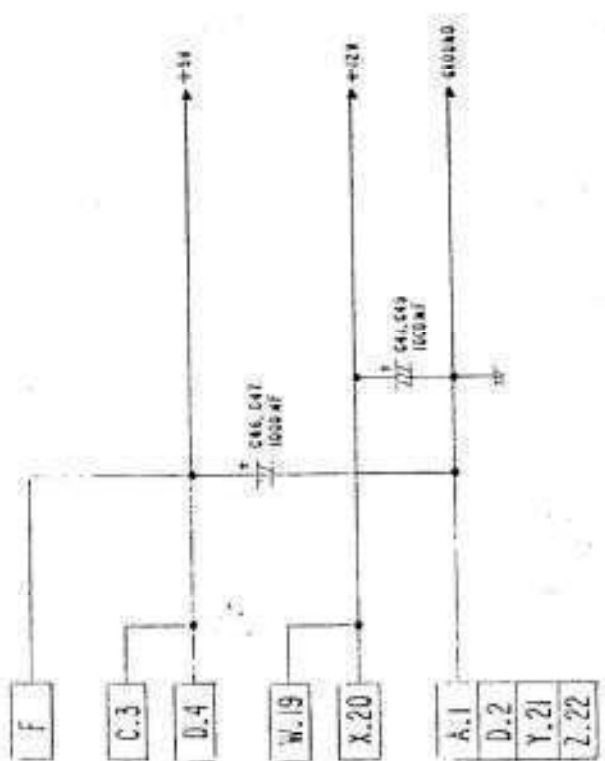
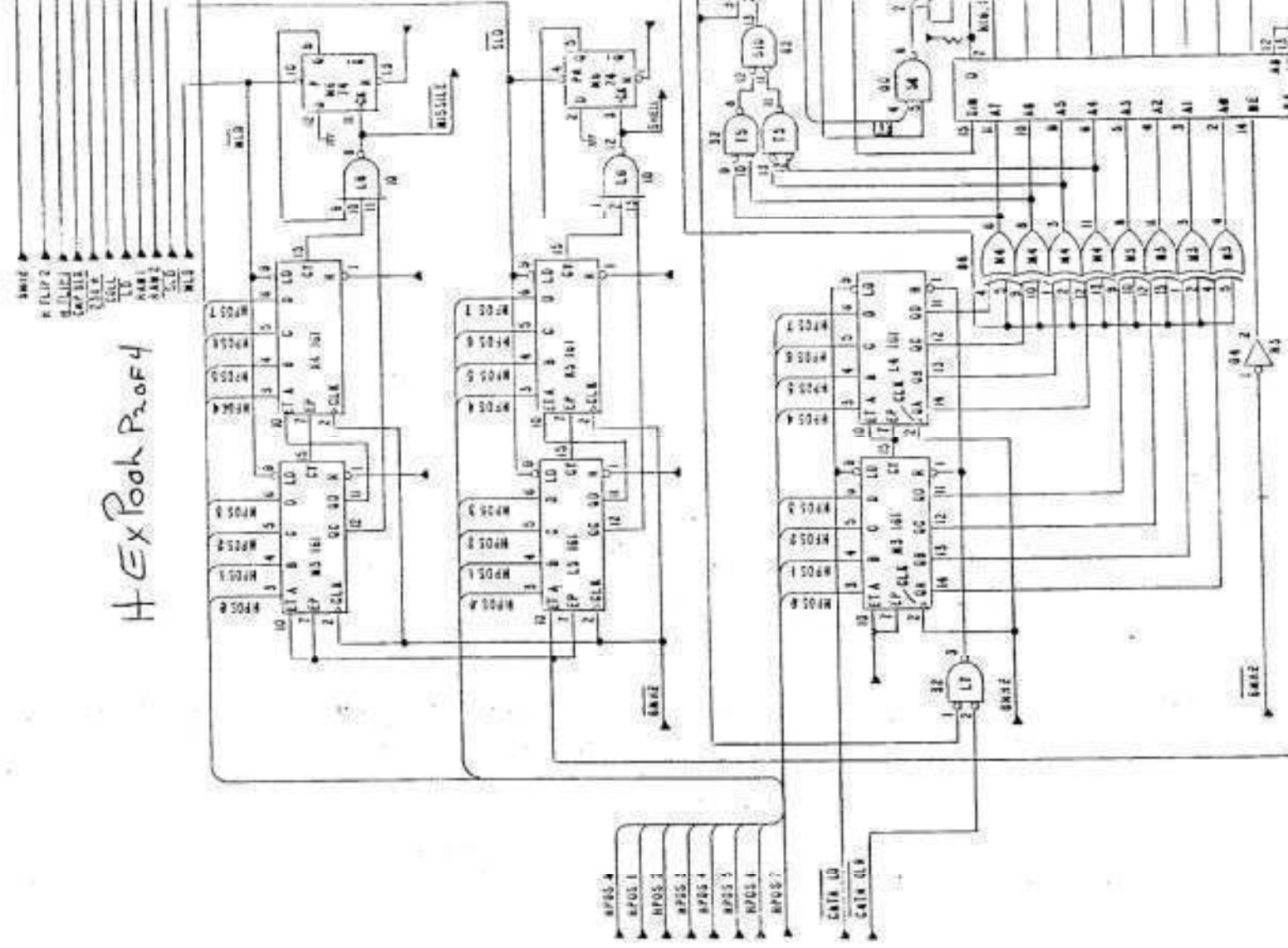
BLUE

5P10T

5MHz



H-Ex Book Proof



HexPool P30F4

