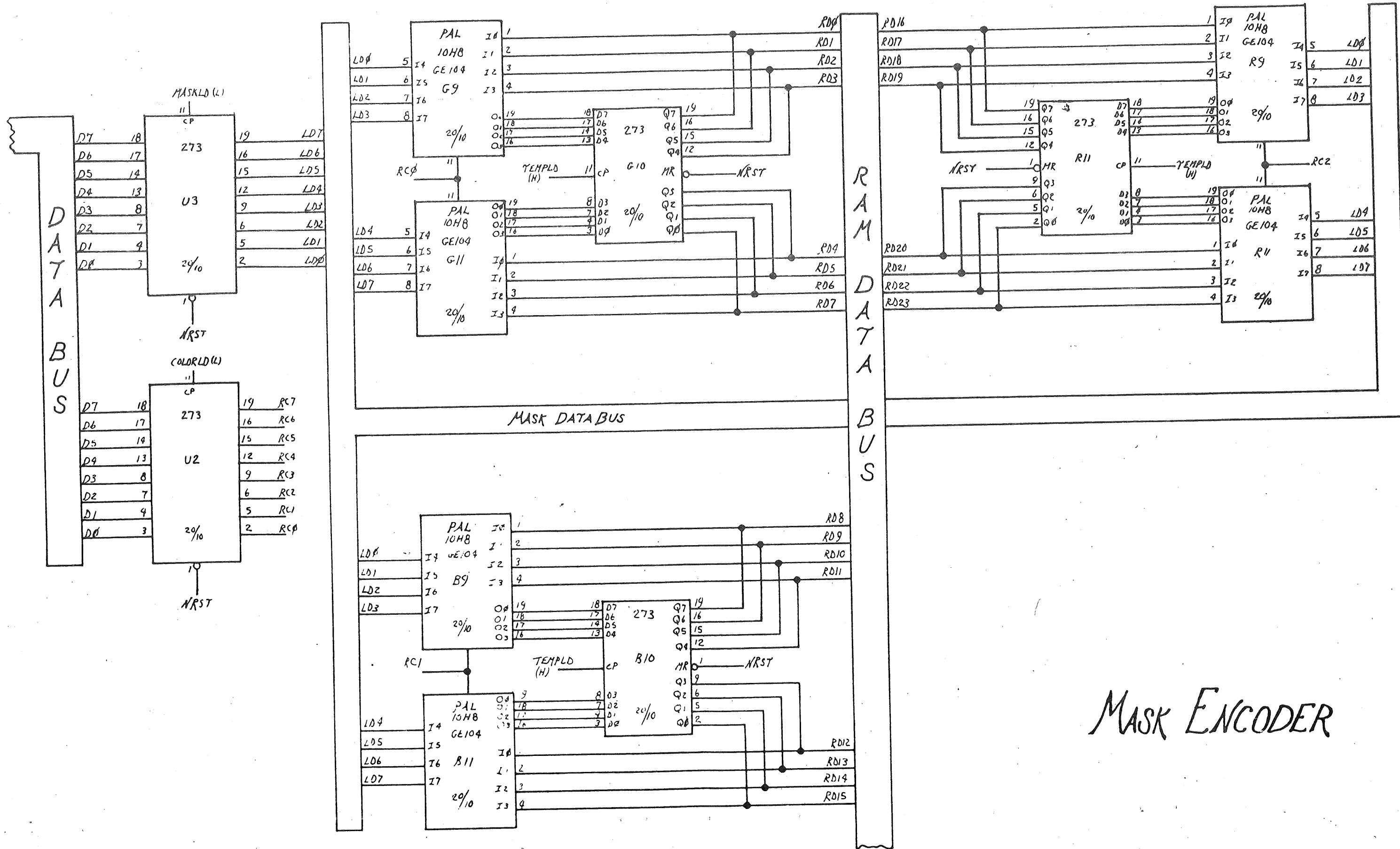
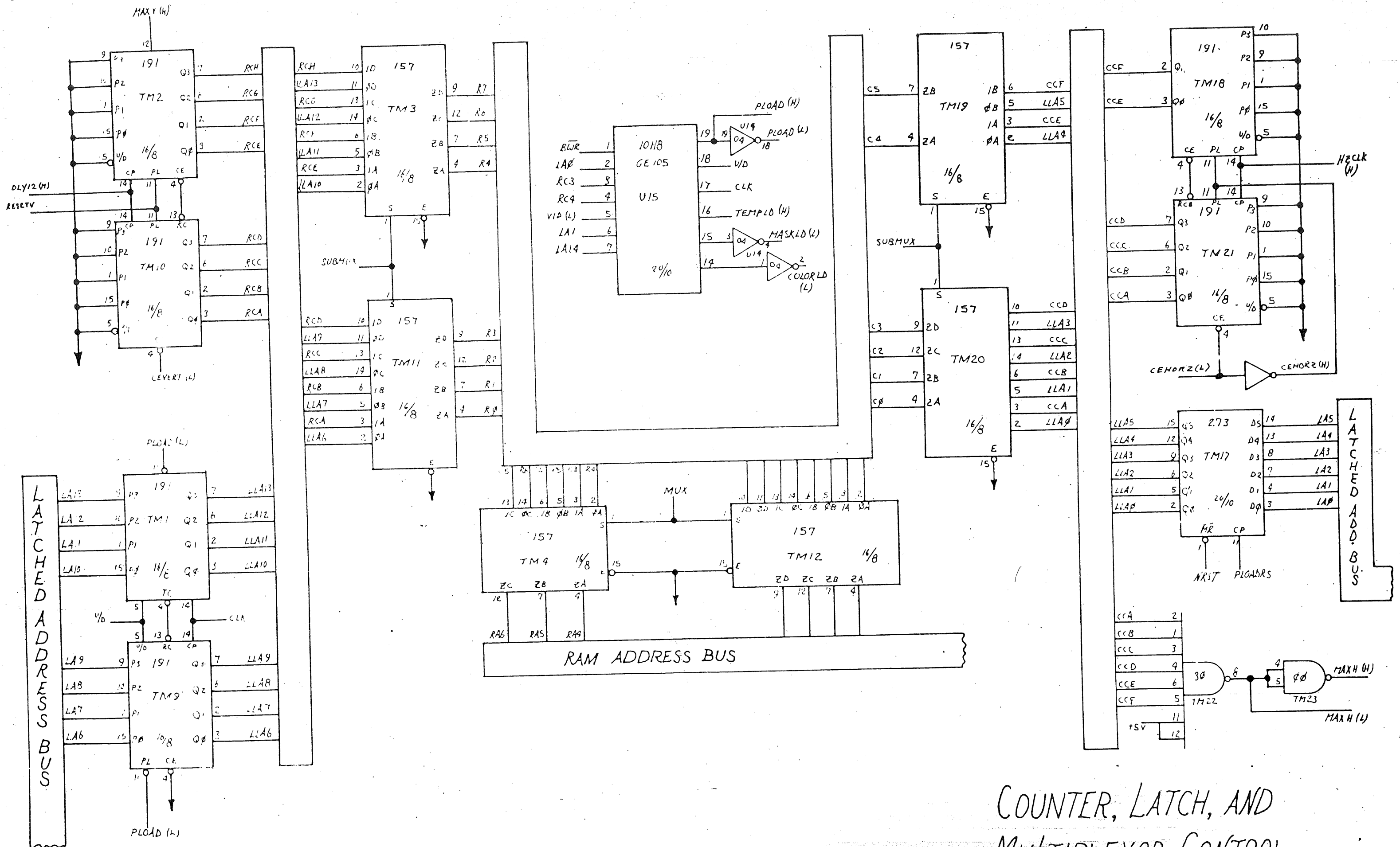


LATCHED ADDRESS BUS

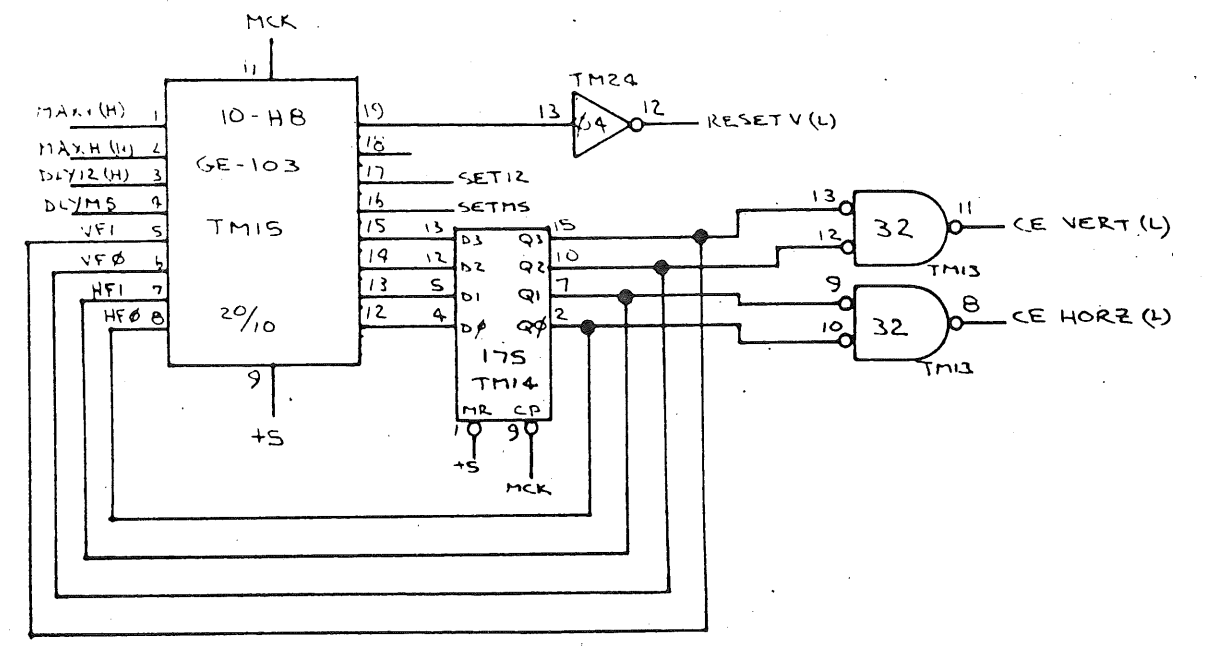
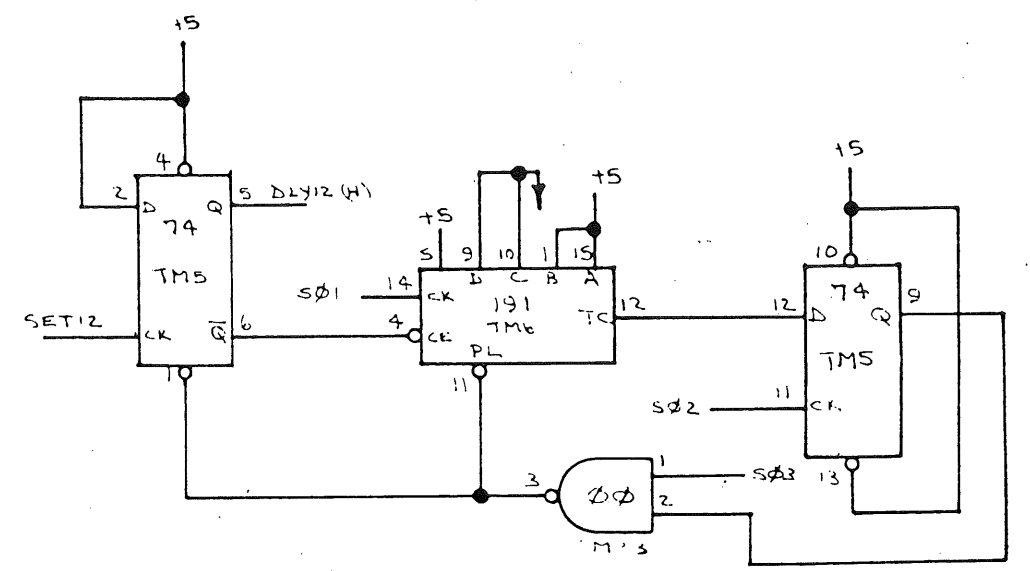
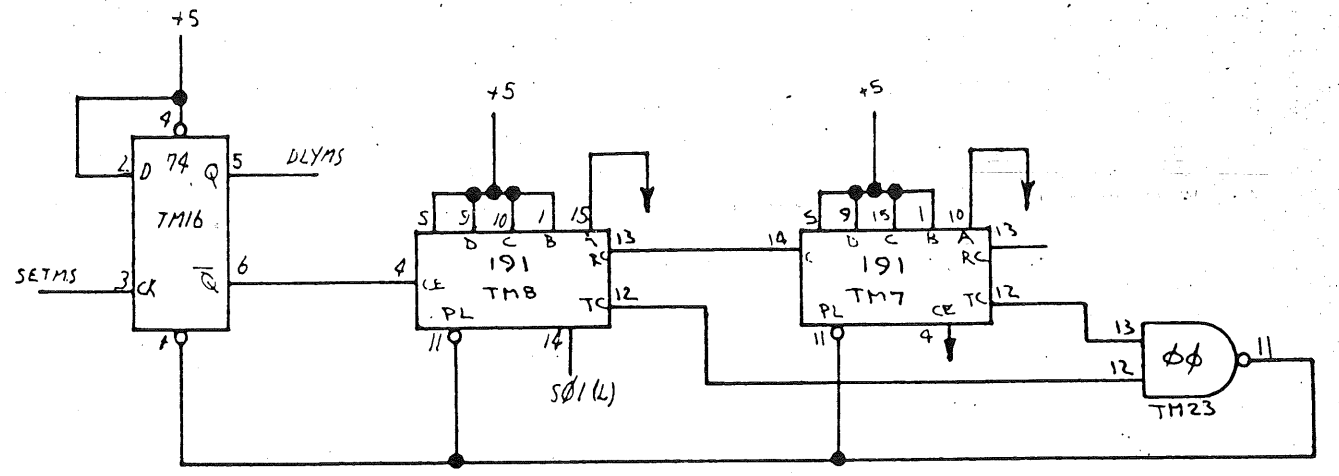
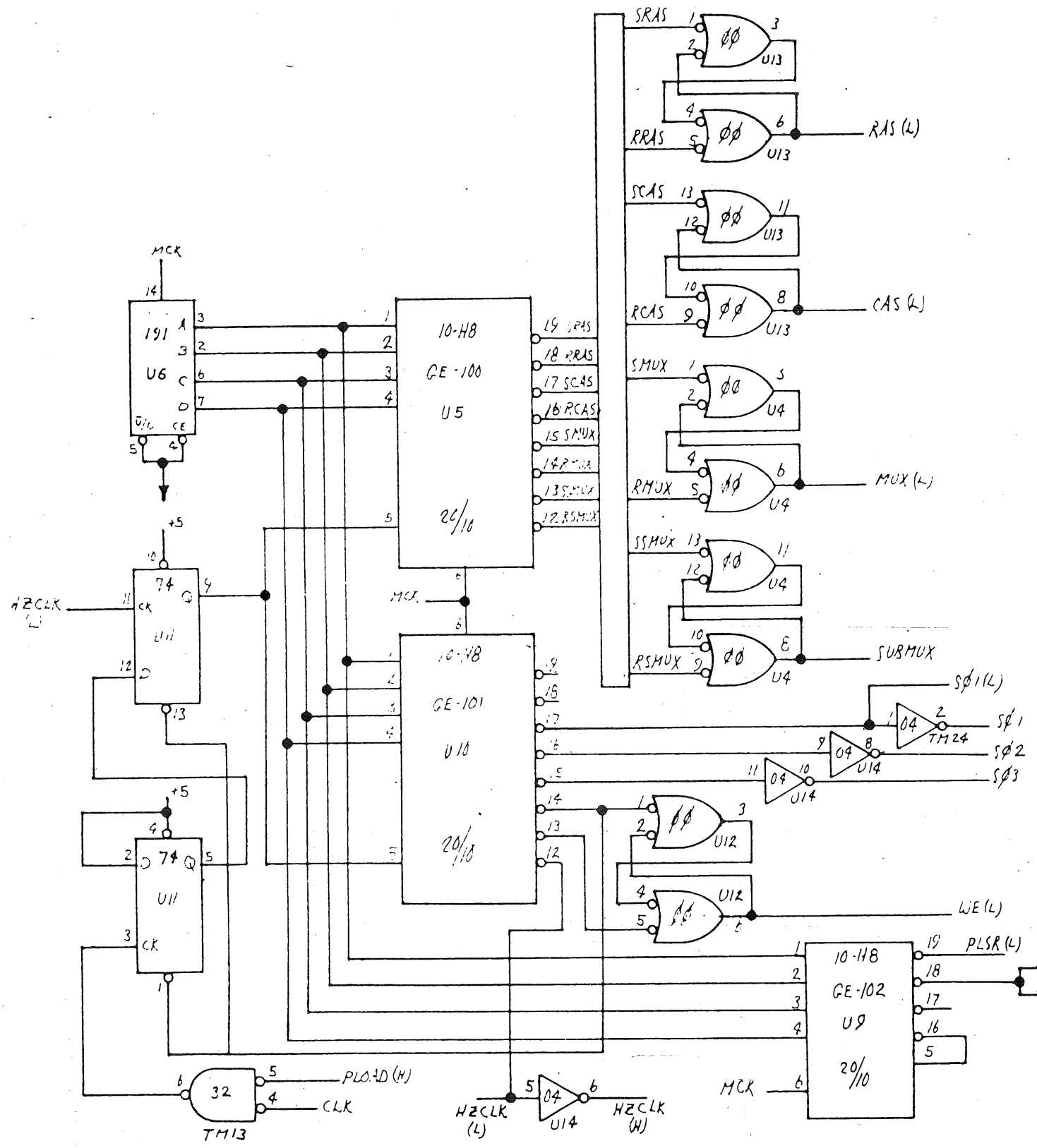
CPU



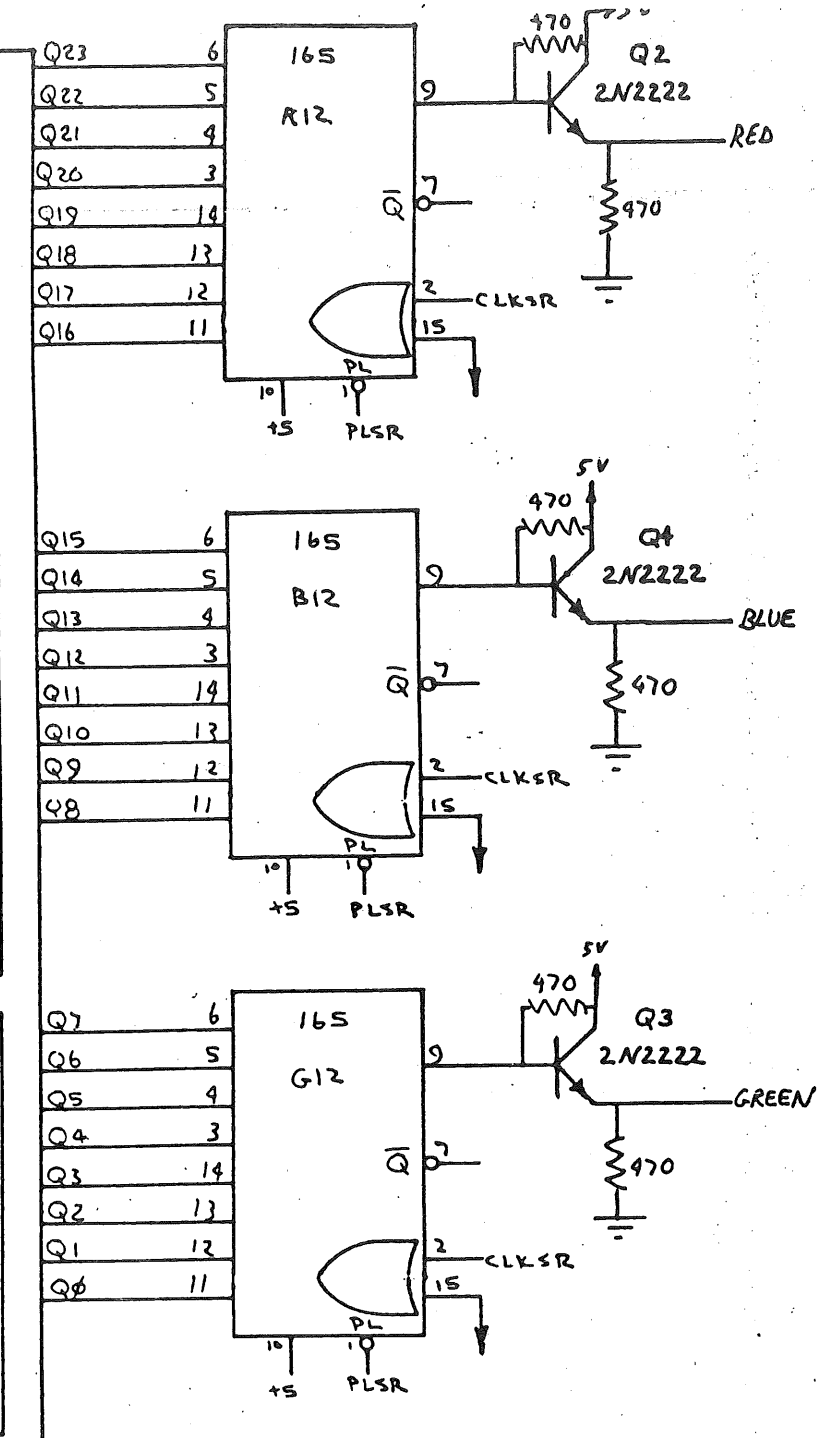
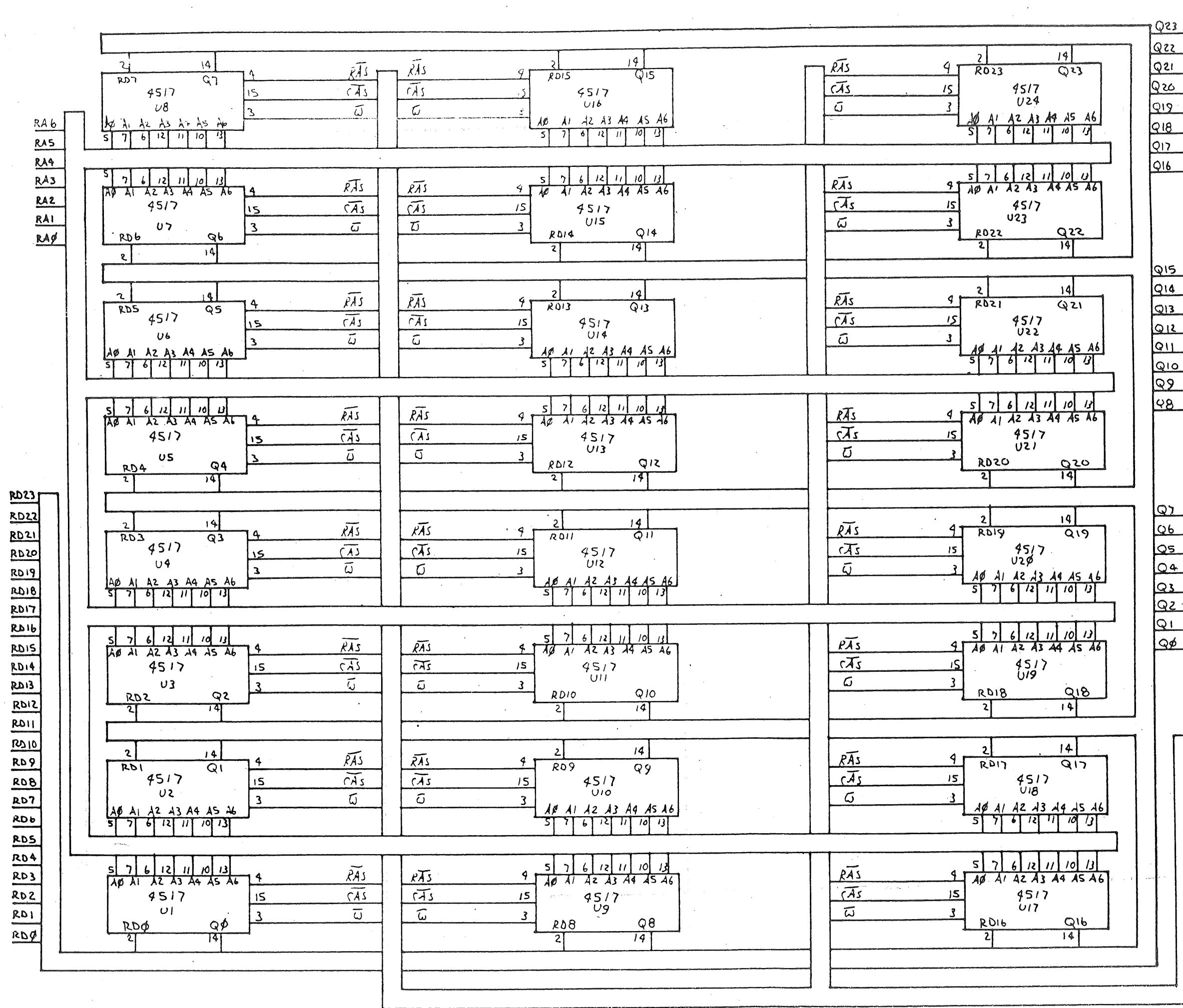
MASK ENCODER



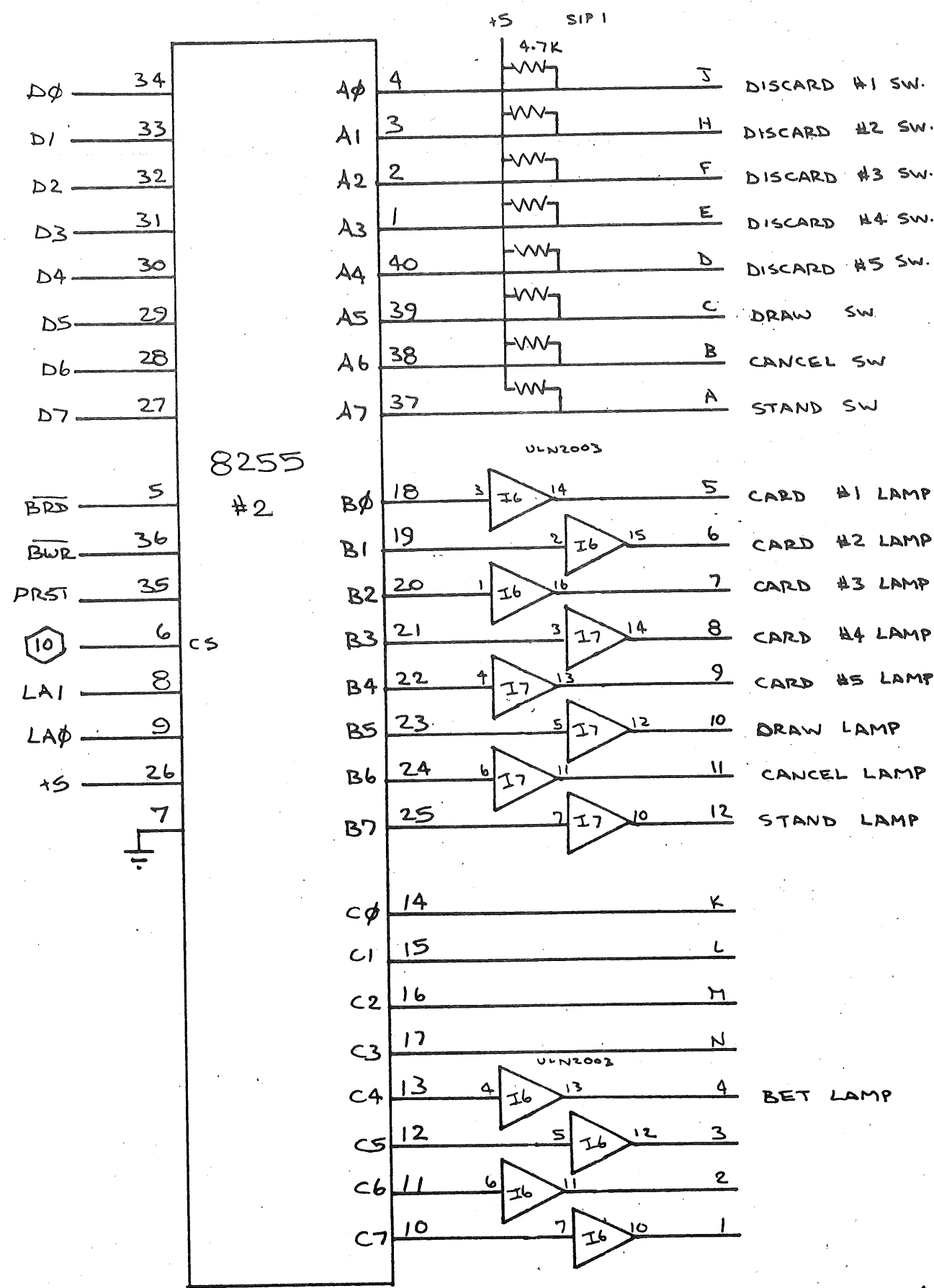
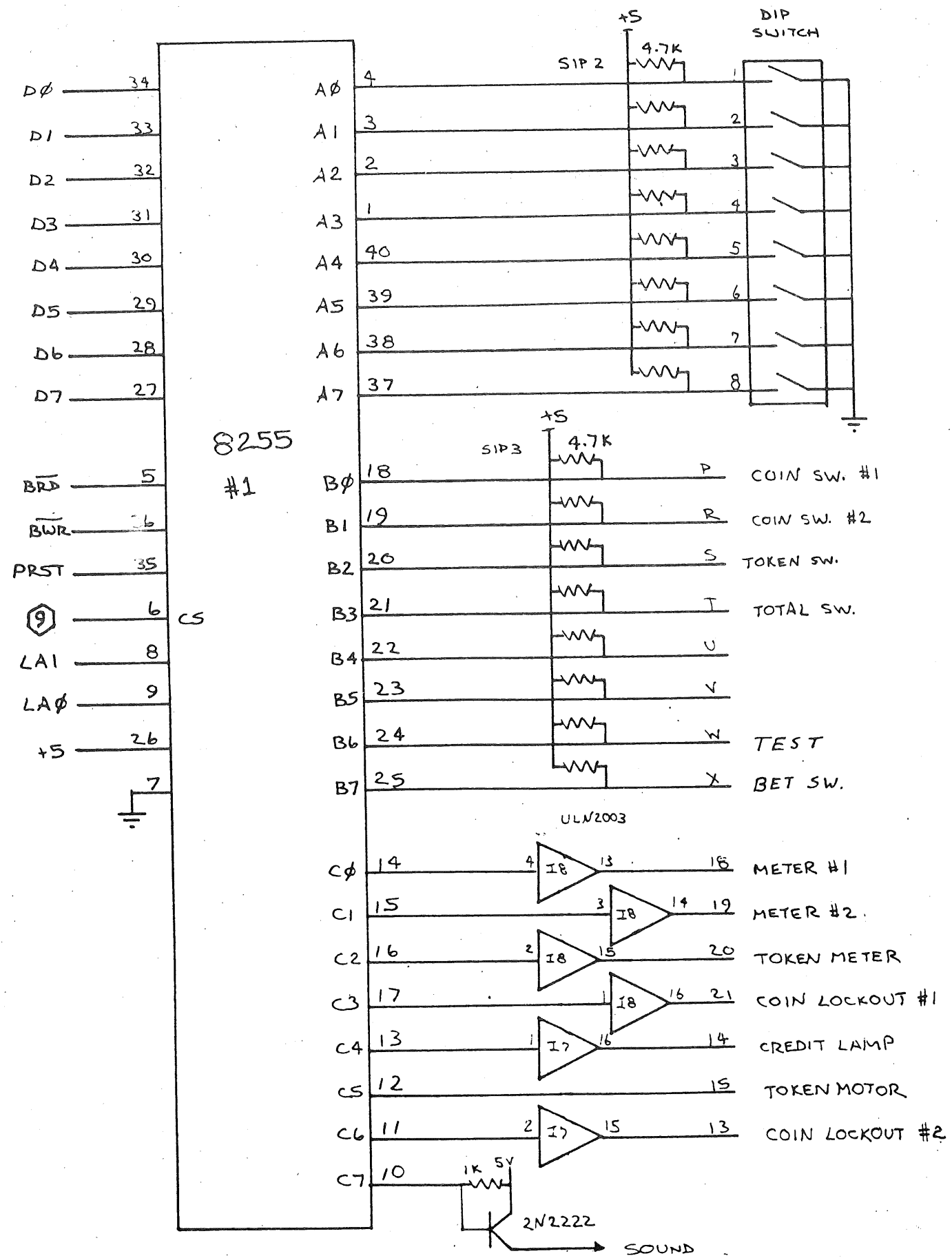
COUNTER, LATCH, AND MULTIPLEXOR CONTROL

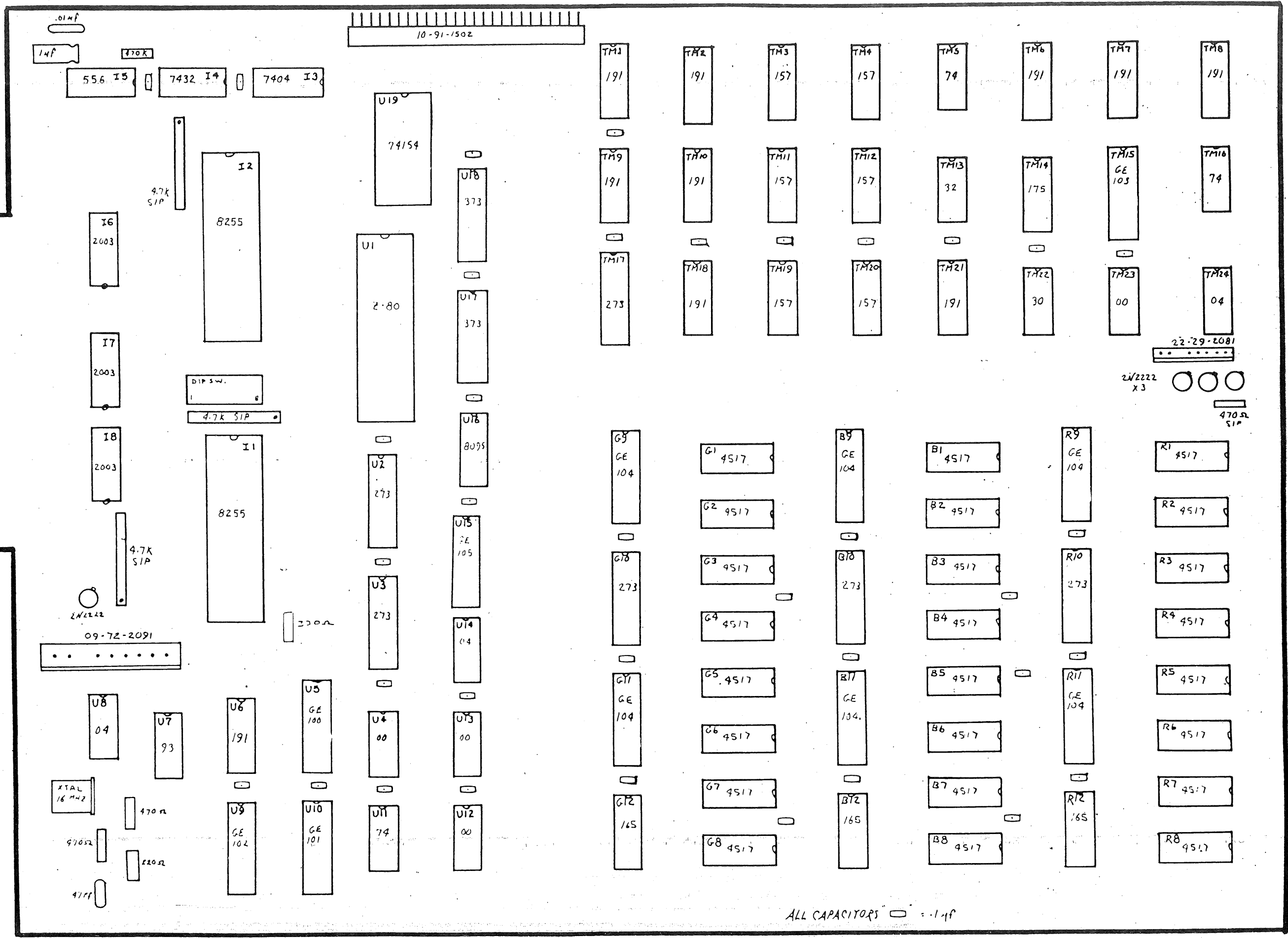


TIMING



VIDEO RAM
WITH
SHIFT REGISTERS





1nf
 1nf
 370K
 556 I5
 7432 I4
 7404 I3

10-91-1502

TM1 191	TM2 191	TM3 157	TM4 157	TM5 74	TM6 191	TM7 191	TM8 191
TM9 191	TM10 191	TM11 157	TM12 157	TM13 32	TM14 175	TM15 GE 103	TM16 74
TM17 273	TM18 191	TM19 157	TM20 157	TM21 191	TM22 30	TM23 00	TM24 04

22-29-2081
 2/2222
 X3
 470Ω
 SIP

U19
74154

U18
373

U17
373

U16
8095

U15
GE
105

U14
04

U13
00

U12
00

U11
74

U10
GE
101

U9
GE
102

U8
04

U7
93

U6
191

U5
GE
100

I2
8255

I1
8255

I6
2003

I7
2003

I8
2003

4.7K SIP

DIP SW.

4.7K SIP

4.7K SIP

2N2222

09-72-2091

XTAL
16 MHz

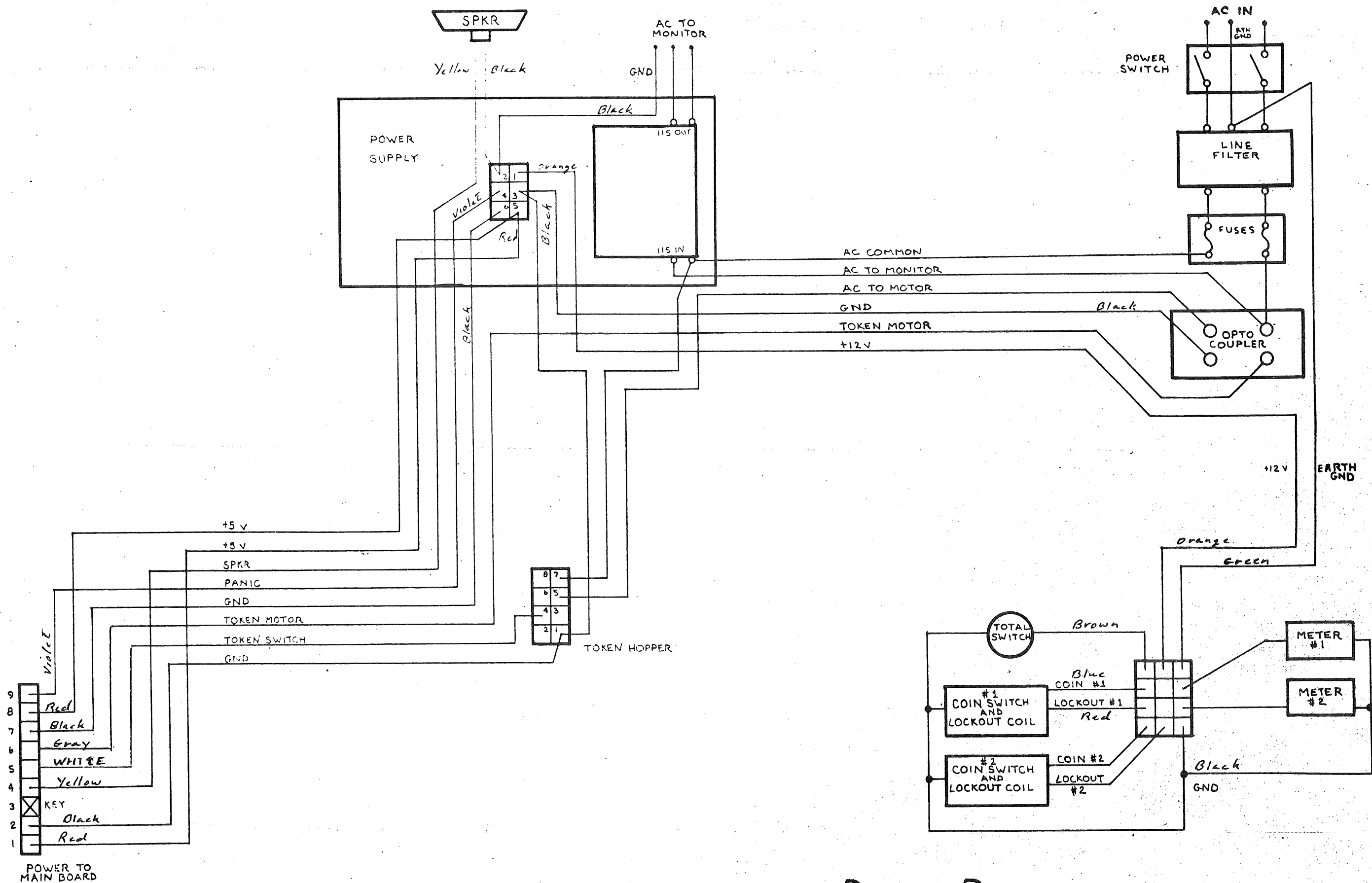
470Ω

220Ω

470Ω

G9 GE 104	G1 4517	B9 GE 104	R9 GE 104	R1 4517
G8 273	G2 4517	B8 4517	R10 273	R2 4517
G7 4517	G3 4517	B7 4517	R11 GE 104	R3 4517
G6 4517	G4 4517	B6 4517	R12 165	R4 4517
G5 4517	G5 4517	B5 4517	R7 4517	R5 4517
G4 4517	G6 4517	B4 4517	R8 4517	R6 4517
G3 4517	G7 4517	B3 4517		R7 4517
G2 4517	G8 4517	B2 4517		R8 4517
G1 4517		B1 4517		

ALL CAPACITORS = .1μf



POWER DISTRIBUTION

UPRIGHT ~ COUNTERTOP Fingerboard Harness

