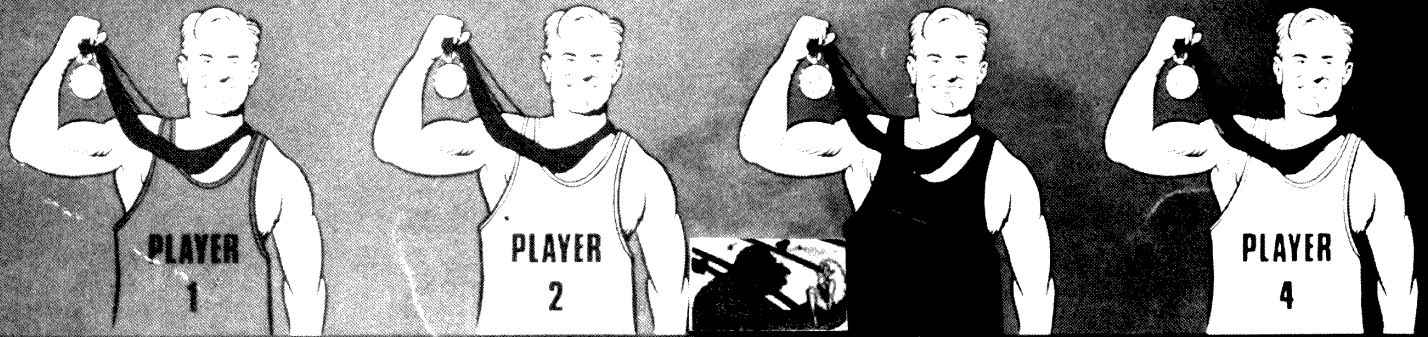


ROMSTAR™ INC.

GOLD MEDALIST™

INSTALLATION MANUAL

4 Player Plug-In-Kit



Romstar, Inc.

22857 Lockness Ave., Torrance, CA 90501

Phone (213) 539-2744 Fax (213) 539-3626

ROMSTAR

All Rights Reserved ©1988

WARRANTY, REPAIR AND RETURN POLICY

1. *45 DAY FULL PARTS WARRANTY.
2. *60 DAY FULL ELECTRONICS WARRANTY (SEE RMA BELOW).
3. MINIMUM \$40.00 SERVICE CHARGE FOR ALL NON-WARRANTY REPAIRS OR RETURNS. FOR ALL PCB SERVICING RETURN TO ROMSTAR AND ALL ROMSTAR DECALS MUST REMAIN ON PCB.
4. **ANY UNAUTHORIZED NON-FACTORY REPAIR OR ATTEMPTED REPAIR VOIDS WARRANTY.**
5. ALL REPAIR WORK **MUST** BE AUTHORIZED BY ROMSTAR FOR EACH PCB.

(*ALL WARRANTY PERIODS BEGIN ON THE DATE OF PURCHASE FROM ROMSTAR)

RETURN MERCHANDISE AUTHORIZATION — (RMA)

1. ALL RETURNED MERCHANDISE MUST HAVE AN RMA NUMBER CLEARLY VISIBLE ON THE OUTSIDE OF THE PACKAGE.
2. ALL RMA NUMBERS MUST BE OBTAINED FROM ROMSTAR BY AN AUTHORIZED ROMSTAR DISTRIBUTOR. (PLEASE HAVE ROMSTAR SERIAL NUMBER AVAILABLE WHEN CALLING FOR AN RMA #).
3. **ALL PC BOARDS RETURNED TO ROMSTAR WITHOUT AN RMA NUMBER WILL NOT BE ACCEPTED.**
4. ROMSTAR WILL SHIP ADVANCE REPLACEMENT BOARDS TO DISTRIBUTORS OR AT DISTRIBUTORS REQUEST, DROP-SHIP BOARDS DIRECT TO THE OPERATOR.
5. ADVANCE REPLACEMENT BOARDS WILL BE BILLED TO THE DISTRIBUTOR UNTIL RECEIPT OF A RETURNED BOARD BY ROMSTAR AT WHICH TIME A CREDIT WILL BE ISSUED.
6. ALL REPAIRS AND/OR REPLACEMENTS WILL BE SHIPPED BY ROMSTAR WITHIN 24 HOURS OF RECEIPT OR REQUEST. (SUBJECT TO AVAILABILITY OF BOARDS).
7. FOR ANY ROMSTAR PRODUCT PURCHASED AFTER 3/1/86, A ROMSTAR WARRANTY CARD MUST BE ON FILE FOR EACH BOARD TO FACILITATE REPAIR & RETURN.
8. ROMSTAR WILL REPAIR OR REPLACE ROMSTAR PCB'S FOR A MINIMAL CHARGE FOR A PERIOD OF 1 YEAR. (SUBJECT TO AVAILABILITY OF BOARDS OR TIME REQUIRED TO REPAIR PCB.)

*NOTE: ATTEMPTED REPAIR USUALLY INCREASES THE TIME AND COST OF REPAIR.

ROMSTAR™ inc.

Invites You To Use

OUR PHONE OR FAX NUMBER FOR
SERVICE INFORMATION CONCERNING THIS GAME, OR ANY
OTHER ROMSTAR GAME YOU NOW HAVE ON LOCATION.

CALL US FOR PROMPT, COURTEOUS
ANSWERS TO YOUR PROBLEMS.

ROMSTAR, INC.

22857 LOCKNESS AVENUE • TORRANCE, CALIFORNIA 90501

TECH. DEPT.

PHONE (213) 539-2744

FAX (213) 539-3626

*** FACTORY SETTING PLEASE SET THE GOLD MEDALIST PCB AS FOLLOWS:**

DESCRIPTION	SETTING	ADJUSTMENT	POSITION	DIP BANK
GAME TYPE	NON SELECT	OFF	1	1
GAME STYLE	UPRIGHT 4 PL	ON/OFF	2/6	1
COMP. DEMO.	WITHOUT	ON	5	1
SPEED FOR DASH	10 BEATS	ON	4	1
DEMO. SOUND	WITHOUT	OFF	1	2
PLAY PRICE	1 COIN / 1 PLAY	OFF/OFF/OFF	2/3/4	2
DIFFICULTY	SOFT	OFF/ON	5/6	2

NOTE: All other positions should be OFF.

CONVERSION INSTRUCTIONS FOR 4 PLAYER GAME.

This manual provides the instructions for converting your existing four player game to gold medalist. These instructions include:

(1) installing the speaker grill decal, (2) installing the side decals, (3) installing the front decal, (4) installing the control panel, (5) installing the power supply, (6) installing the wire harness and (7) installing the gold medalist pcb.

1. INSTALLING THE SPEAKER GRILL DECAL:

The existing speaker decal does not have to be removed. However, if it is torn, cut, or warped, it should be replaced.

1. Remove Grill.
2. Clean with lint-free cloth moistened with isopropyl alcohol (or other appropriate cleaner).
3. Remove protective back from bottom edge of new decal.
4. Carefully position the decal so it is aligned with the bottom edge and press the center of the decal onto panel. Then using the palm of your hand, rub the decal from the center toward the edge of the panel.
5. Repeat for the sides and top of decal.
6. Re-install panel to game cabinet.

2. INSTALLING SIDE DECALS:

1. Remove decal and replace as stated for speaker decal.

3. INSTALLING FRONT DECAL:

1. Remove decal and replace as stated above.

4. INSTALLING NEW CONTROL PANEL:

1. Unlatch control panel and remove.
2. Replace with new control panel and disconnect control panel from main harness.

5. INSTALLING POWER SUPPLY:

1. Mount new power supply in cabinet with all connections attached.
2. Attach chassis ground from cabinet to power supply.

6. INSTALLING WIRE HARNESS:

1. Attach AC PDO (see diagram) connector to AC terminal black (white, and black wires).
2. Open middle back of cabinet and attach both (6 pin and 3 pin) video connectors to video PCB. (in most cases the positive/negative video disconnect PDO will be disconnected).
3. Remove red 6 pin audio speaker connector from audio PCB in cabinet splice orange and brown wires to butt connector with white wire with black stripe. Also splice white and white wires to butt connector with white wire.
4. Remove coin meter connection at point JCC 2 on audio connector and attach them to the yellow and brown wires with the PDO connectors on them.
5. Remove old female 9 pin amp connectors from both coin doors and attach new 9 pin amp connectors.
6. Attach control panel to male 9 pin molex connectors.

7. INSTALLING GOLD MEDALIST PCB:

1. Remove old pcb.
2. Install feet on pcb.
3. Using wood screws mount new pcb to cabinet.

CHECK AND DOUBLE CHECK ALL CONNECTIONS.

INSTALL CONNECTIONS TO PCB THEN APPLY POWER.



PDO



MOLEX

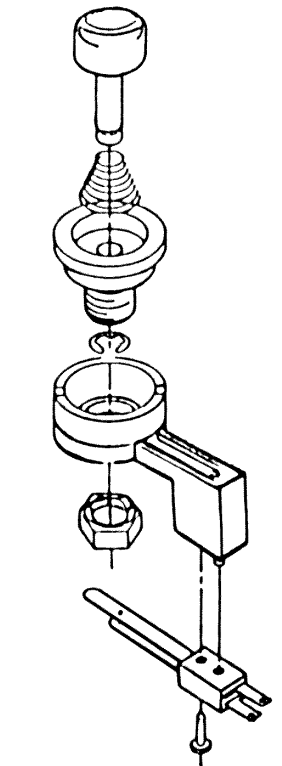
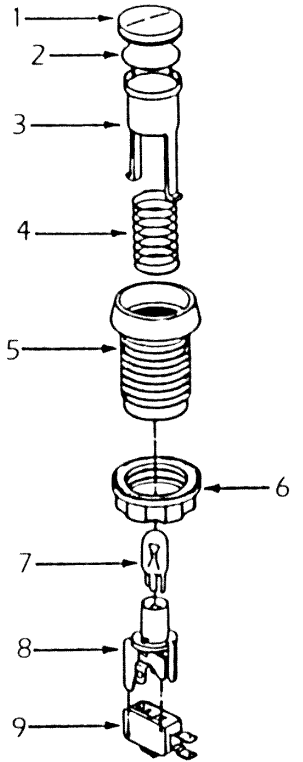


AMP

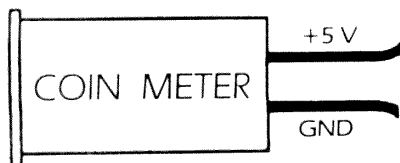
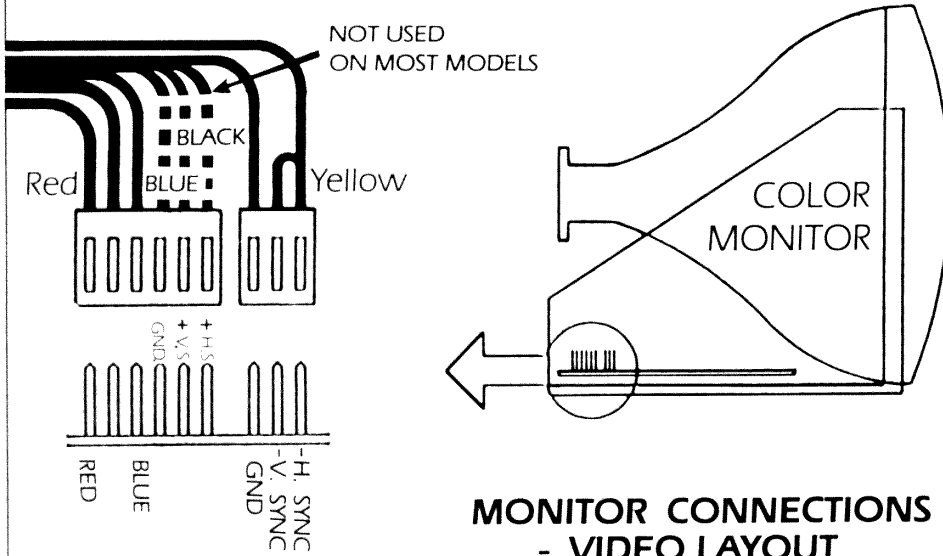
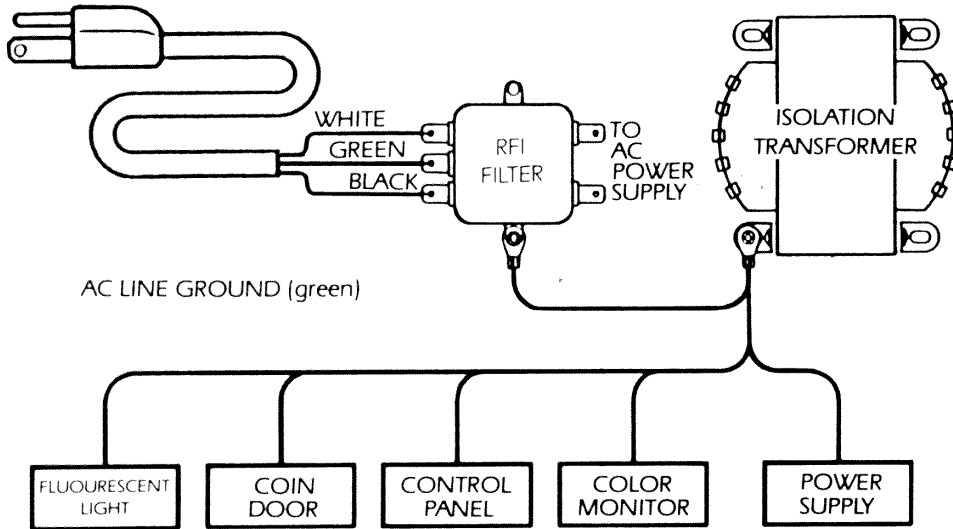


BUTT
CONNECTORS

PUSH BUTTONS LAYOUT

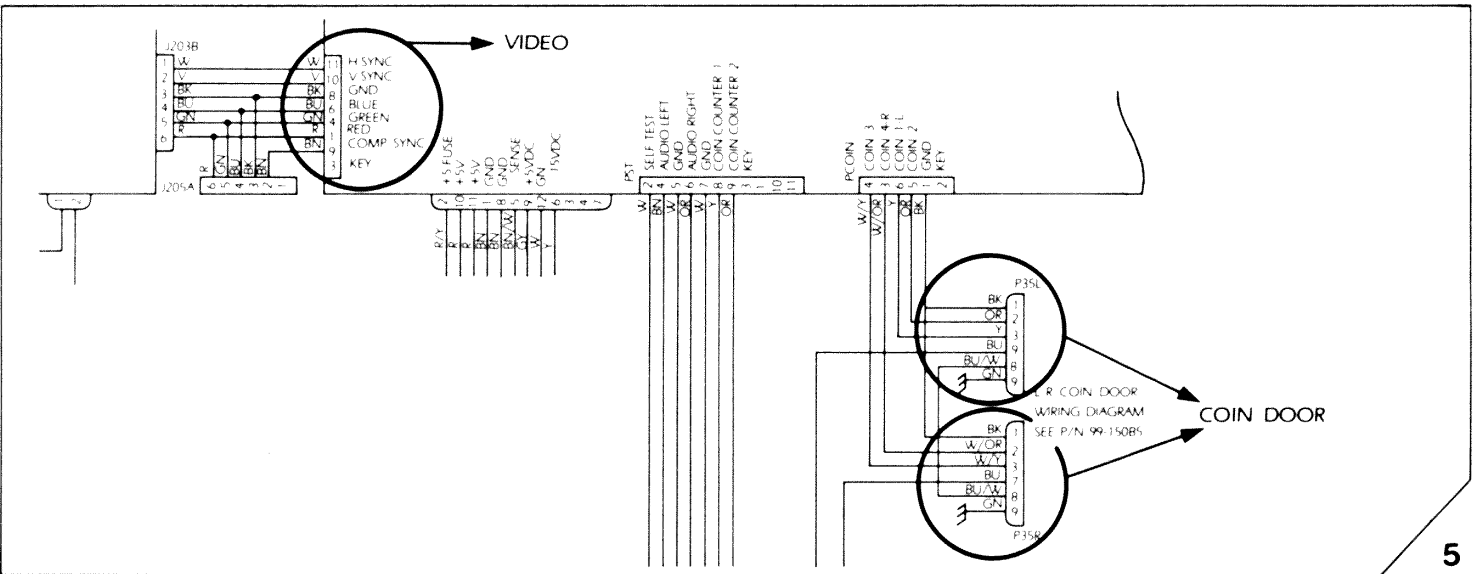
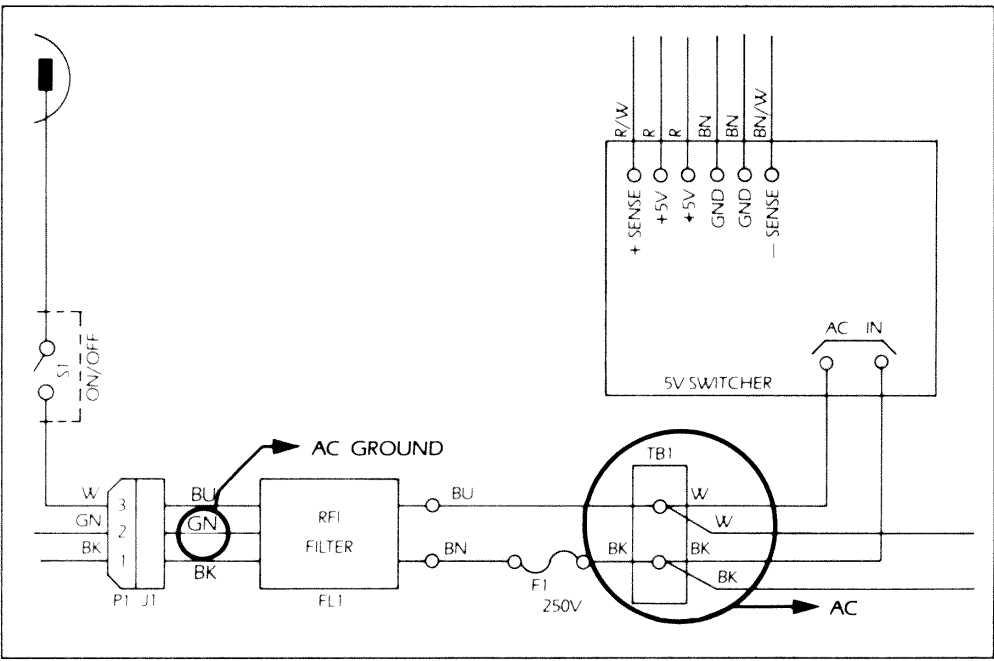
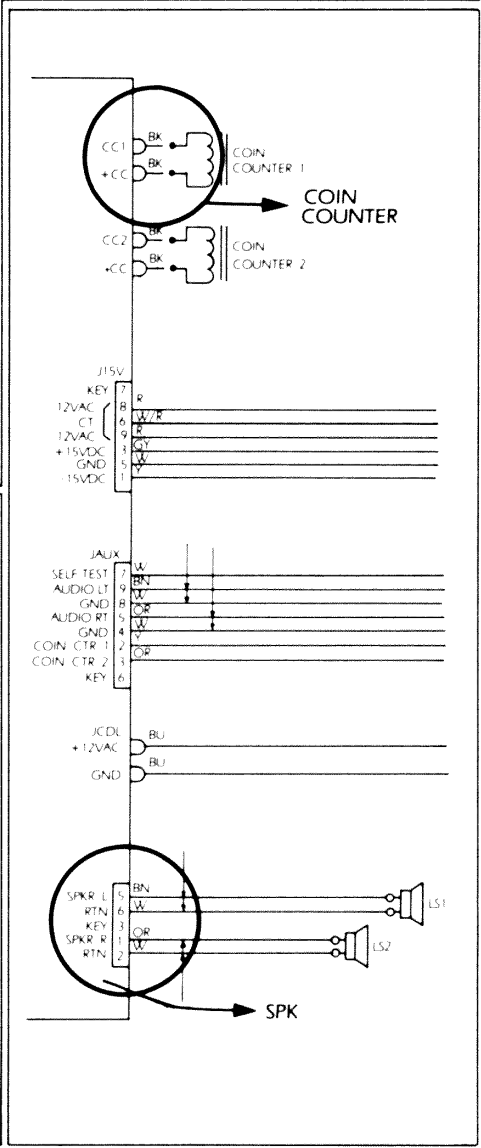
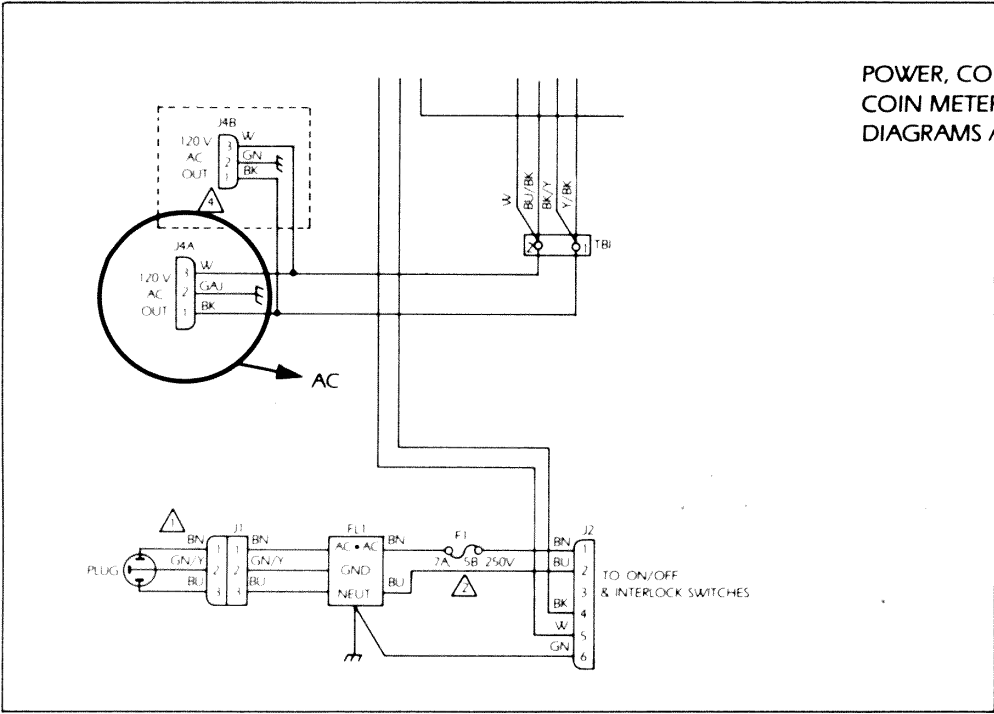


AC GROUND

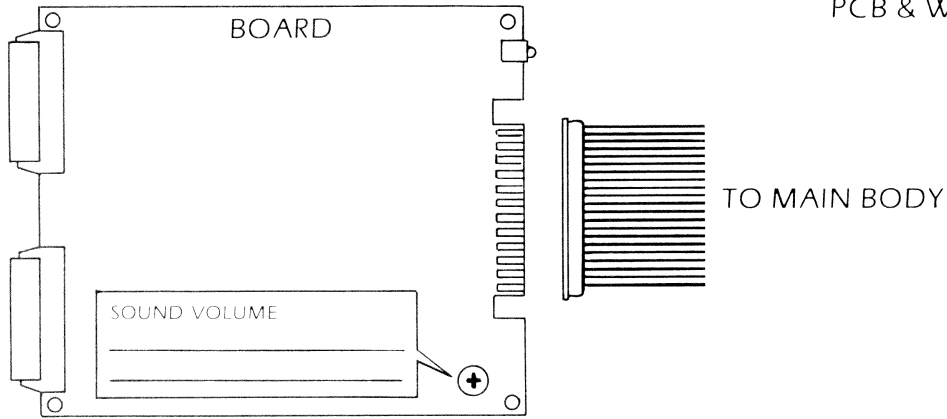


COIN METER LAYOUT

**POWER, COIN, SPEAKER, VIDEO
COIN METER AND GROUND WIRE
DIAGRAMS AND LAYOUTS**



NOTE: Assure that the voltage on the PCB is in the range from + 5.00 V to +5.10 V.
 We have no responsibility for your any changes other than constructed.
 This layout will be changed without notice.

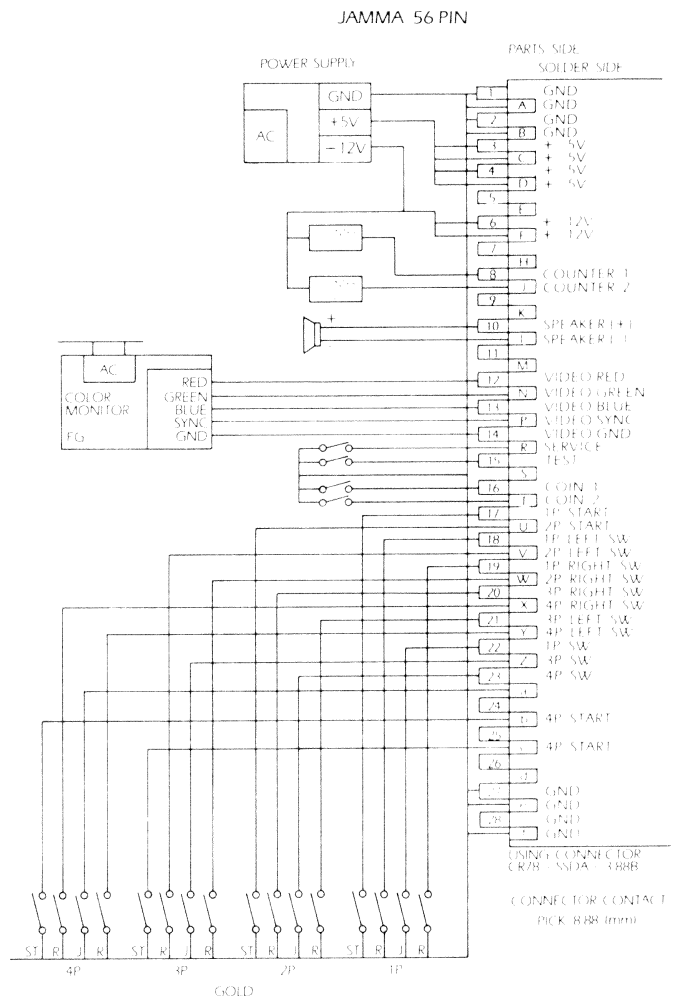


PCB & WIRE DIAGRAMS

BLACK JAMMA HARNESS DA 1

Wire Color	Solder Side			Parts Side	Wire Color
Black	Ground	A	1	Ground	Black
Black	Ground	B	2	Ground	Black
Red	+5VDC	C	3	+5VDC	Red
Red	+5VDC	D	4	+5VDC	Red
White	-5VDC	E	5	-5VDC	White
Yellow	+12VDC	F	6	+12VDC	Yellow
	Post	H	7	Post	
Brn/Wht	Coin Counter 2	J	8	Coin Counter 1	Brn/Wht
Red/Blk	Coin Lockout	K	9	Coin Lockout	Red/Blk
Wht/Blk	Speaker (-)	L	10	Speaker (+)	White
		M	11		
Green	Video Green	N	12	Video Red	Red
Gray	Video Sync (1 wire type)	P	13	Video Blue	Blue
Red/Blk	Service Switch	R	14	Video Ground	Black
	Tilt Switch	S	15	Test Switch	Brown
Wht/Blk	Coin 2	T	16	Coin 1	White
Wht/Gry		U	17		Gray
Wht/Vio		V	18		Violet
Wht/Blu		W	19		Blue
Wht/Grn		X	20		Green
Wht/Yel		Y	21		Yellow
Wht/Ora		Z	22		Orange
Wht/Red		a	23		Red
Wht/Brn		b	24		Brown
Grn/Wht		c	25		Blu/Wht
Yel/Wht		d	26		Red/Wht
Black	Ground	e	27	Ground	Black
Black	Ground	f	28	Ground	Black

Wire color/Stripe color
 Note: Please refer to manual harness pinout for pins



CHECKPOINTS IN CASE OF DIFFICULTY

PROBLEM / CAUSE-CURE

No Raster/No Video

- Check A.C. line cord
- Check line fuse
- Check monitor brightness
- Check power switch and/or interlock switch
- Check all solder connections on line filter and transformer
- Check for proper orientation of the PCB connector

Raster/No Video

- Check all PCB to monitor connections
- Check power supply voltage on PCB

No Video/Game sounds can be heard

- Check monitor brightness
- Check all PCB to monitor connections

Wrong colors

- Monitor needs degaussing
- Check for proper wiring between PCB and monitor
- Check monitor adjustment and adjust if necessary

Wavy picture

- Check monitor ground is properly connected to monitor
- Be certain sync inputs are properly connected to monitor
- Check horizontal hold adjustment

Horizontal/Vertical Roll

- Check horizontal and/or vertical hold adjustments
- Check for proper wiring of sync from PCB to monitor

No sound

- Check for - 5 volts on edge connector of PCB
- Check volume control potentiometer adjustment
- Check for +12 volts on edge connector of PCB
- Check wiring from PCB to speaker
- Check speaker for low resistance between the "+" and "-" tabs

Bad sound

- Check wiring to speaker for bad solder connections
- Check sound with another speaker

No switch input

- Check ground connection to switch/es
- Check wiring between PCB and switch/es for proper connection
- Check switch/es with an ohmmeter to verify proper operation

Switch operates incorrect function

- Check wiring between PCB and switches for proper orientation
- Check wiring for shorts between switch inputs

No coin meter

- Check wiring to coin meter
- Check that +5 volts is on "+" side of meter
- Verify a +5 volt meter is used

When coin switch is made and meter pulses, the screen blanks out and/or game resets

- Verify that a meter with a diode is used
- If no diode is built in meter a IN4004 can be used across the meter.
Cathode to "+" side of meter and anode to "-" side of meter

DIP SW 1

ITEM		1	2	3	4	5	6	
GAME TYPE	NON SELECT *	OFF		A L W A Y S				
	SELECT	ON						
GAME STYLE	TABLE		OFF					
	UPRIGHT 4 P *		ON					
	UPRIGHT 2 P		ON					
COMP. DEMONSTRATION	WITH					OFF		
	WITHOUT *					ON		
SPEED FOR 100M DASH	14 BEATS FOR MAX SPEED				OFF			
	10 BEATS FOR MAX SPEED *				ON			

DIP SW 2

ITEM	CONTENTS	1	2	3	4	5	6
ATTRACTION SOUND	WITH	ON					
	WITHOUT *	OFF					
PLAY PRICING	1-1 / 1-1 *		OFF	OFF	OFF		
	1-2 / 2-1		OFF	OFF	ON		
	1-3 / 3-1		OFF	ON	OFF		
	1-4 / 4-1		OFF	ON	ON		
	1-5 / 5-1		ON	OFF	OFF		
	1-6 / 6-1		ON	OFF	ON		
	2-3 / 9-1		ON	ON	OFF		
	3-2 / 8-1		ON	ON	ON		
DIFFICULT LEVEL	VERY SOFT					OFF	OFF
	SOFT *					OFF	ON
	MIDDLE					ON	OFF
	HARD					ON	ON

ROMSTAR *INC.*

ROMSTAR, INC.

22857 LOCKNESS AVENUE • TORRANCE, CALIFORNIA 90501
