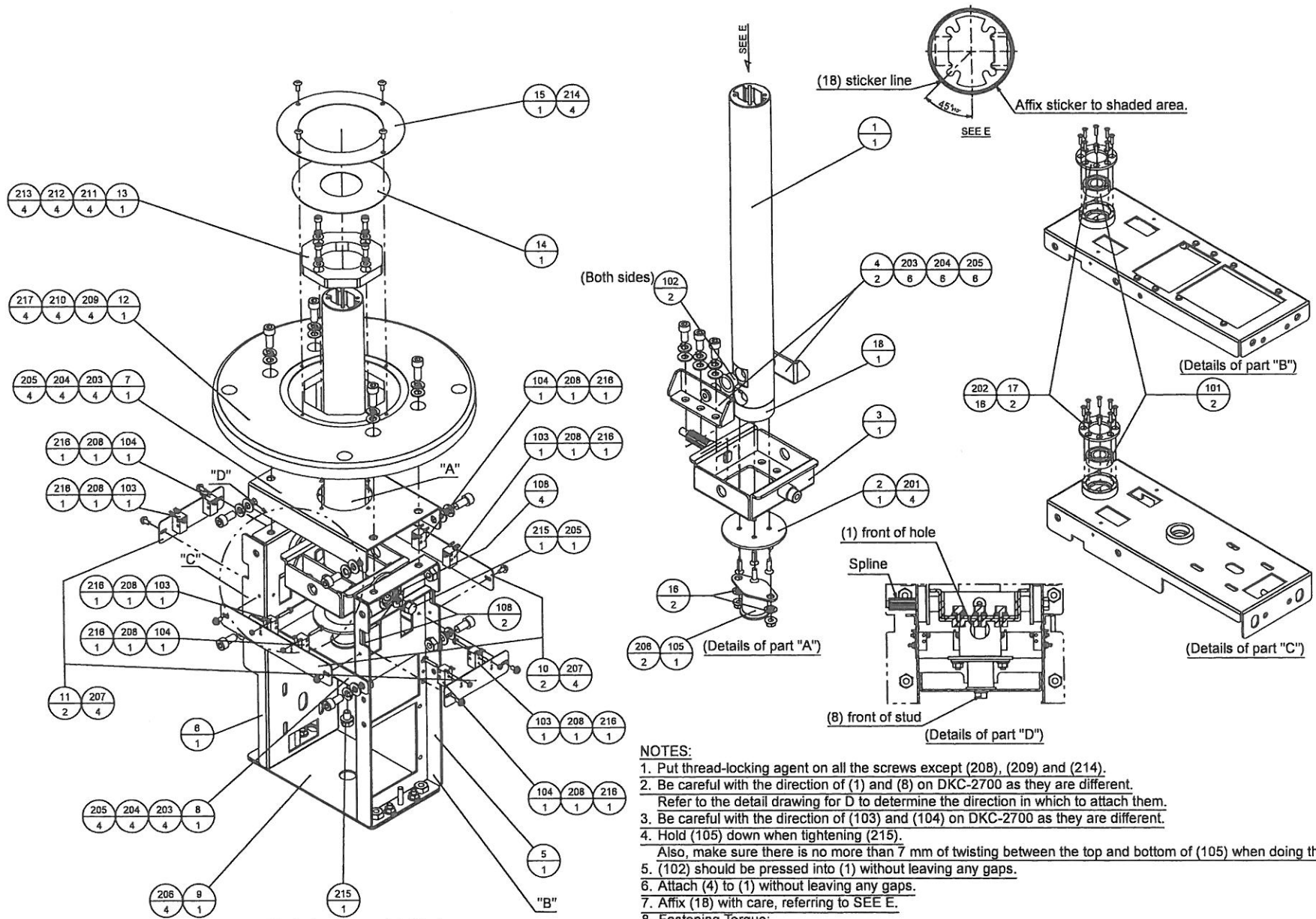


- NOTES:**
1. Put thread-locking agent on all the screws except (202) and (206).
  2. Attach (2) with the timing belt having an initial tension of between 30 and 48.6 N.
  3. Attach (4) with the timing belt having an initial tension of between 19.6 and 26.5 N.  
 Span = 89 [mm] (2) Side belt width = 15 [mm]  
 (4) Side belt width = 6 [mm]
  - Unit mass = 0.019 [kg/ (10 mm wide X 1 m long)] (Mitsuboshi)
  - Unit mass = 0.023 [kg/ (10 mm wide X 1 m long)] (Bando)
  4. B is a motor accessory.
  5. C is an accessory for (101). Take it off (101) before using it.
  6. Fastening Torque:  
 (101) 4 [N·m]
  7. Fully put thread-locking agent "LOCTITE 242" on the screws (210) & (211).

(24) DKC-2000  
ASSY JOYSTICK MECHA 1P

(D-2/2)

ITEM NO.	PART NO.	DESCRIPTION	NOTE
1	DKC-2200	ASSY JOYSTICK BASE 1P	
2	DKC-2300	ASSY OUTPUT SHAFT	
3	DKC-2320	ASSY CLUTCH	
4	DKC-2340	ASSY MOTOR	
5	DKC-2006X	CLUTCH COVER BRKT	
6	DKC-2002	OUTPUT ARM	
7	DKC-2003	SWING ARM	
8	DKC-2004	SWING ARM RAIL	
9	DKC-2005	SWING ARM SPACER	
10	123-030311	KEY 3x3x11	
11	280-6622-50060	SPACER TUBE	
12	280-6622-80080	SPACER TUBE	
13	DKC-2325	MIDDLE SHAFT SPACER	
101	100-5569	CAM FOLLOWER CF 5-A	
102	100-5018	BEARING BALL 8	
103	350-5967	TIMING BELT 300 S3M 06	
201	030-000616-W	HEX BLT W/FS M6x16	
202	050-F00600	FLG NUT M6	
203	029-0330	HEX SKT H CAP SCR BLT M6x10	
204	060-S00600	SPR WSHR M6	
205	FAS-680039	FLT WSHR 6.2-10x1	
206	050-F00400	FLG NUT M4	
207	FAS-650028	WAVE WSHR BWW-608	
208	060-F00400	FLT WSHR M4	
209	060-F00500	FLT WSHR M5	
210	050-H00500	HEX NUT M5	
211	028-A00406-P	SET SCR HEX SKT CUP P M4x6	
212	050-H00800	HEX NUT M8	
213	060-F00800	FLT WSHR M8	
214	000-P00416-W	M SCR PH W/FS M4x16	
215	060-S00800	SPR WSHR M8	



Fastening Torque: 4.4 [N·m]  
 Do not use thread-locking agent.

- NOTES:**
1. Put thread-locking agent on all the screws except (208), (209) and (214).
  2. Be careful with the direction of (1) and (8) on DKC-2700 as they are different.  
 Refer to the detail drawing for D to determine the direction in which to attach them.
  3. Be careful with the direction of (103) and (104) on DKC-2700 as they are different.
  4. Hold (105) down when tightening (215).  
 Also, make sure there is no more than 7 mm of twisting between the top and bottom of (105) when doing this.
  5. (102) should be pressed into (1) without leaving any gaps.
  6. Attach (4) to (1) without leaving any gaps.
  7. Affix (18) with care, referring to SEE E.
  8. Fastening Torque:  
 (202) 1.25 [N·m], (203) 30.5 [N·m], (208) 0.29 [N·m], (209) 6.5 [N·m], (214) 0.75 [N·m]

**(25) DKC-2200**  
**ASSY JOYSTICK BASE 1P**

(D-2/3)

ITEM NO.	PART NO.	DESCRIPTION	NOTE
1	DKC-2201	STICK SHAFT LONG	
2	DKC-2202	SHAFT END PLATE	
3	DKC-2203Z	UNIVERSAL JOINT BRKT	
4	DKC-2204	UNIVERSAL JOINT SHAFT BRKT	
5	DKC-2205Y	MECHA BRKT FRONT	
6	DKC-2206Z	MECHA BRKT REAR	
7	DKC-2207	UPPER BRKT	
8	DKC-2208	DUMPER BASE BRKT	
9	DKC-2209X	BOTTOM PLATE	
10	DKC-2210	SENSOR BASE PLATE A	
11	DKC-2211	SENSOR BASE PLATE B	
12	DKC-2213	STOPPER DISK	
13	DKC-2214-01	STOPPER BLOCK 4 WAY	
14	DKC-2215	SLIDE PLATE	
15	DKC-2216	SLIDE PLATE COVER	
16	DKC-2217	DUMPER SPACER	
17	DKC-2218	BEARING STOPPER PLATE	
18	DKC-2219	STICKER LIGHT BLOCK	
101	100-5070	BEARING 15 (NSK 6002ZZ)	
102	100-5365-1510	OILES BEARING 80F 1510	
103	370-5336	PHOTO SENSOR KB891-AA22LF	
104	370-5337	PHOTO SENSOR KB890-AA12LF	
105	280-7882	RUBBER DUMPER RB-35-35H 40	
106	280-6676	CORD CLAMP TL-25A TTK	
107	280-5275-SR10	CORD CLAMP SR10	
108	601-6563-20	BUSH 2.4T	
109	280-5277	CORD CLAMP 18	
201	000-F00516	M SCR FH M5x16	
202	FAS-290092	HEX SKT SCR FH BLK OZ M3x8	
203	020-000816-0Z	HEX SKT H CAP SCR BLK OZ M8x16	
204	060-S00800	SPR WSHR M8	
205	060-F00800	FLT WSHR M8	
206	050-F00600	FLG NUT M6	
207	000-P00410-W	M SCR PH W/FS M4x10	
208	000-P00320-W	M SCR PH W/FS M3x20	
209	FAS-200086	HEX SKT CAP SCR BLK M8x20	
210	FAS-680032	FLT WSHR BLK 8.5-16x1.2	
211	020-000512-0Z	HEX SKT H CAP SCR BLK OZ M5x12	
212	060-S00500	SPR WSHR M5	
213	060-F00500	FLT WSHR M5	
214	008-T00410-0B	TMP PRF SCR TH BLK M4x10	
215	030-000812-S	HEX BLT W/S M8x12	
216	050-H00300	HEX NUT M3	
217	060-S00800-0B	SPR WSHR BLK M8	

# ASSY JOYSTICK BASE 1P

ITEM NO.	PART NO.	DESCRIPTION	NOTE
301	DKC-60027	WH CONTROLLER 1P	
302	DKC-60028	WH BUTTON 1P EXT	