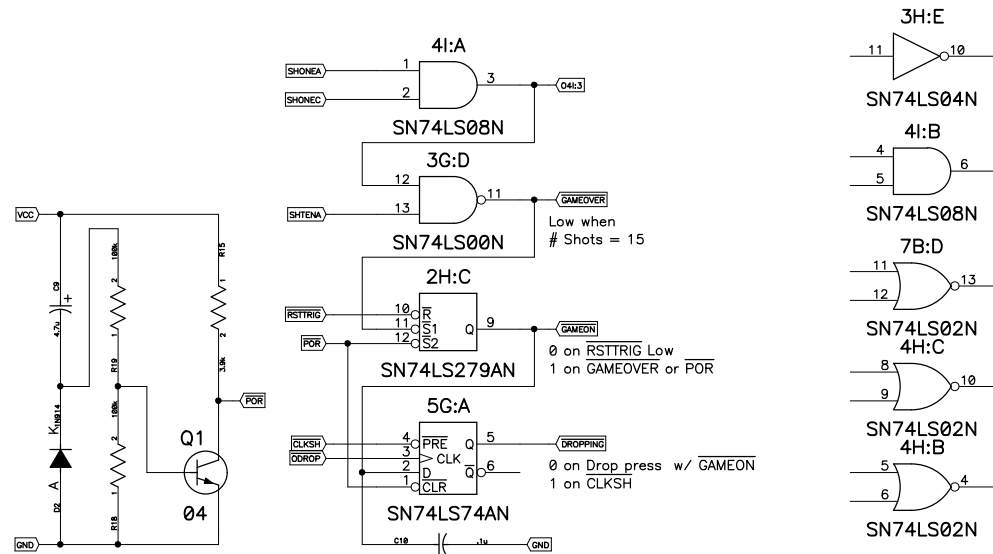
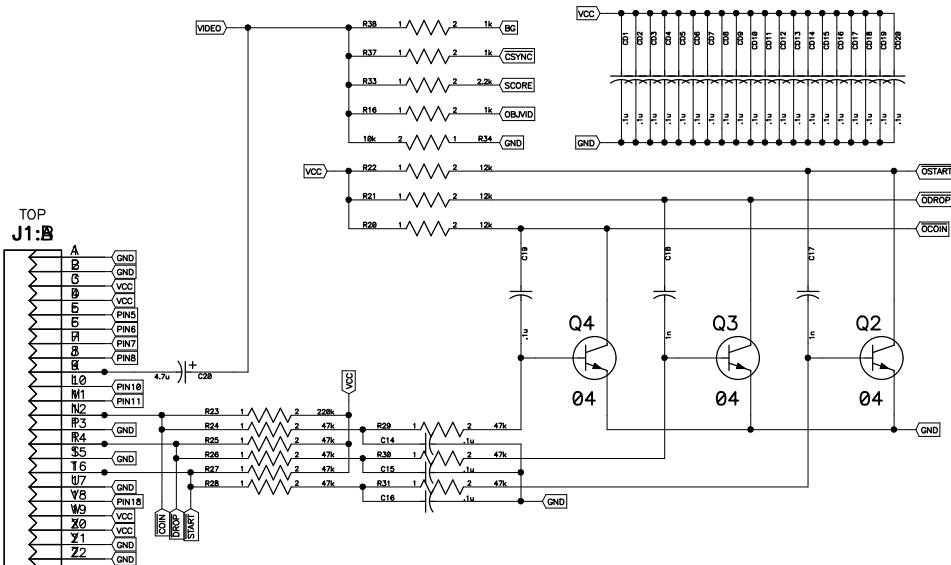
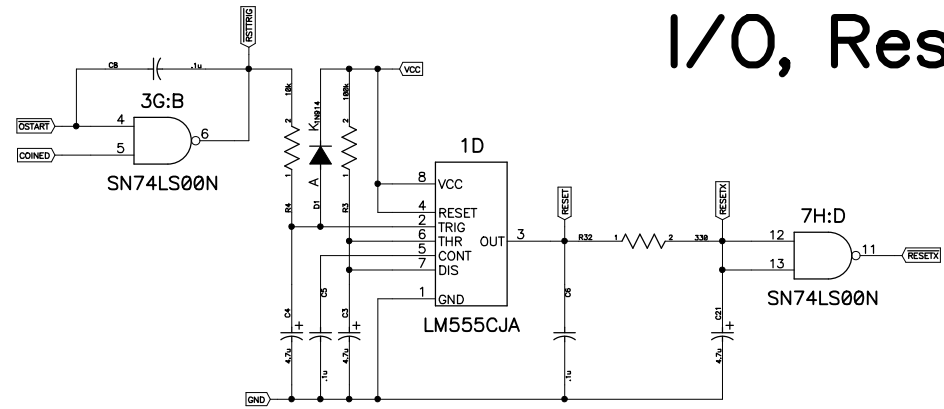
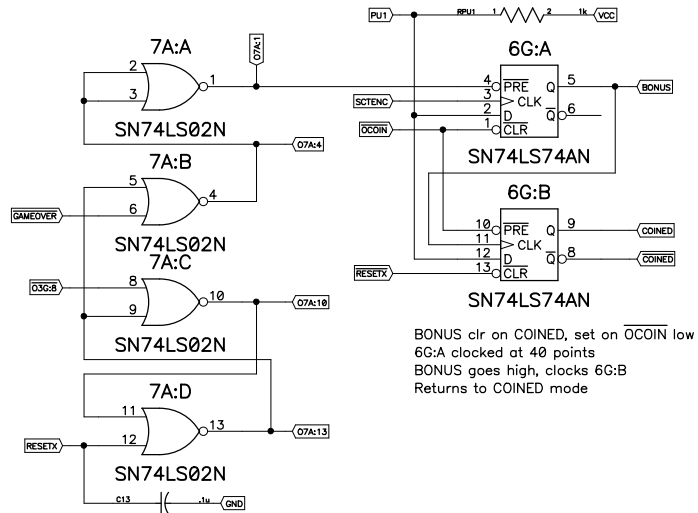
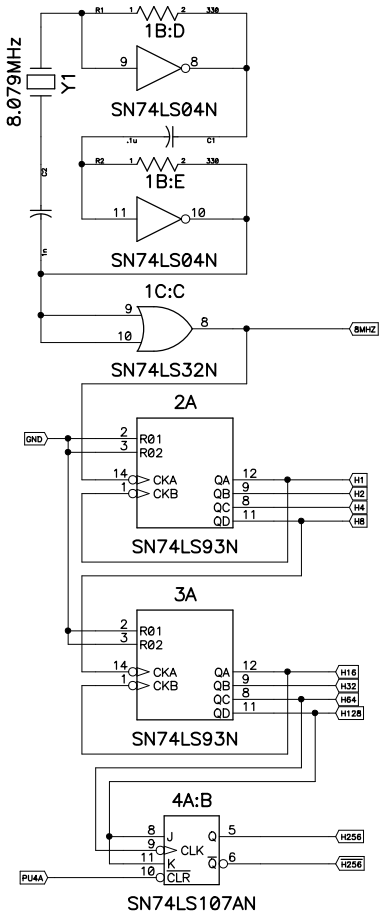
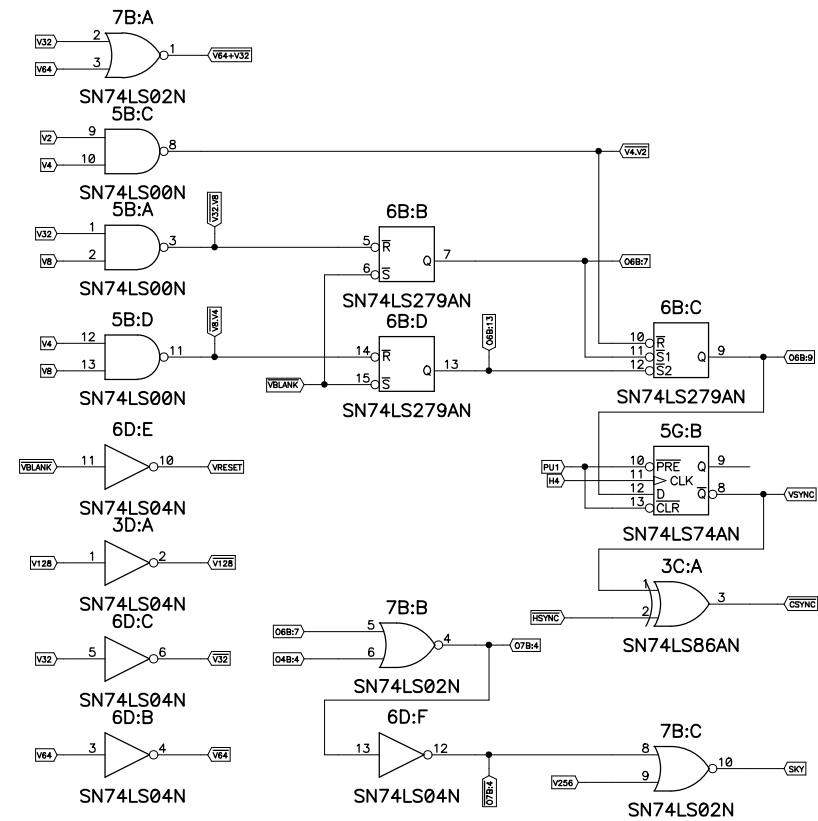
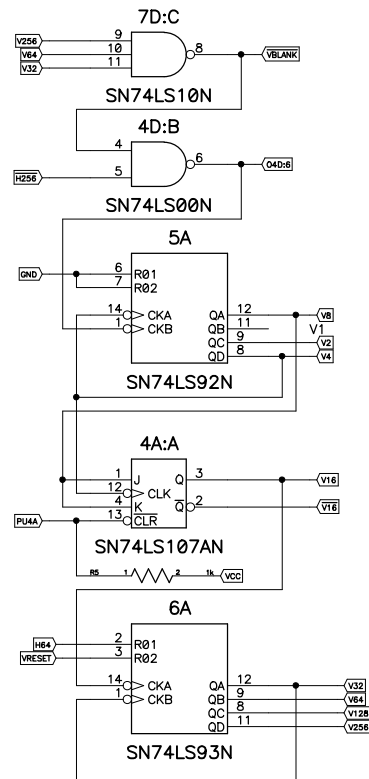
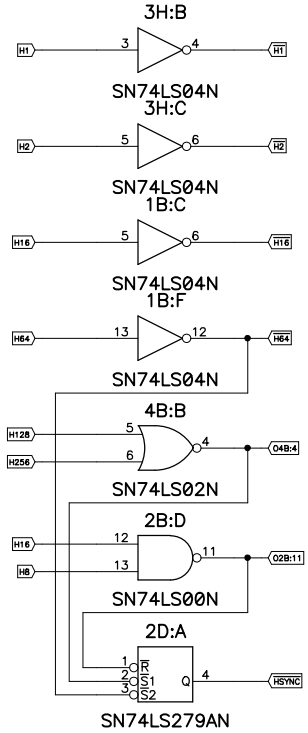


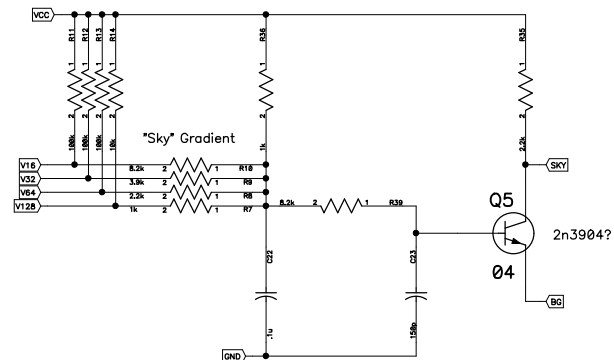
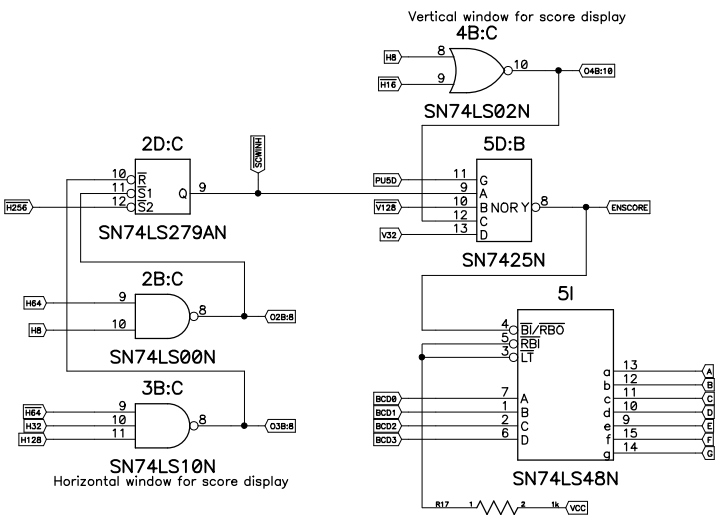
I/O, Reset



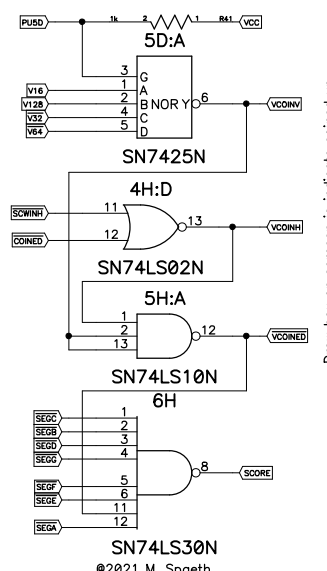
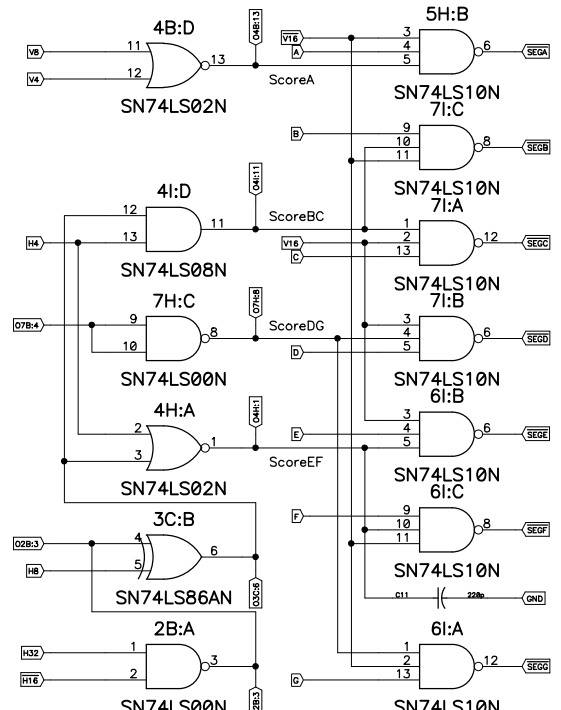
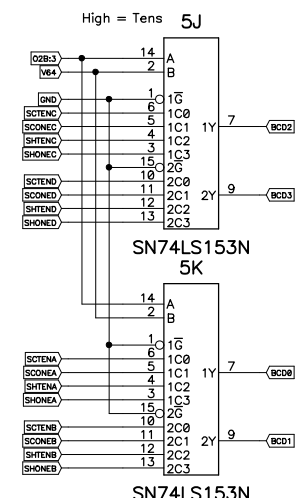
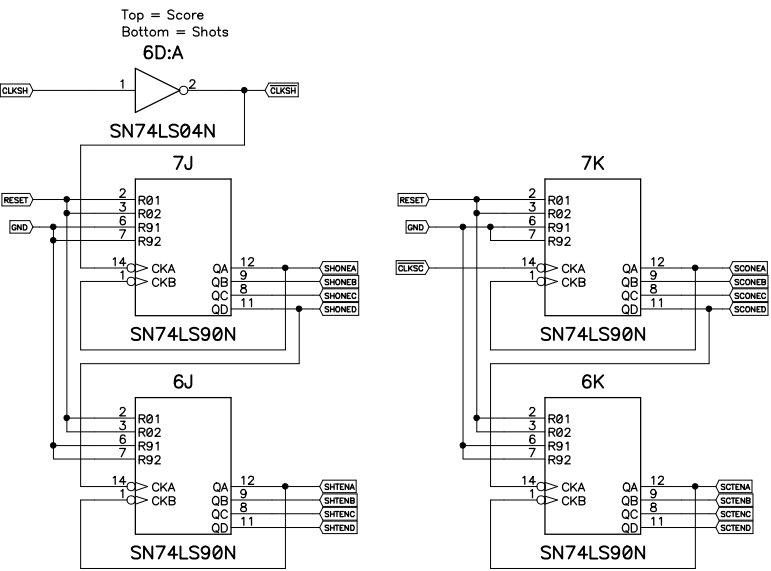


CLOCKING



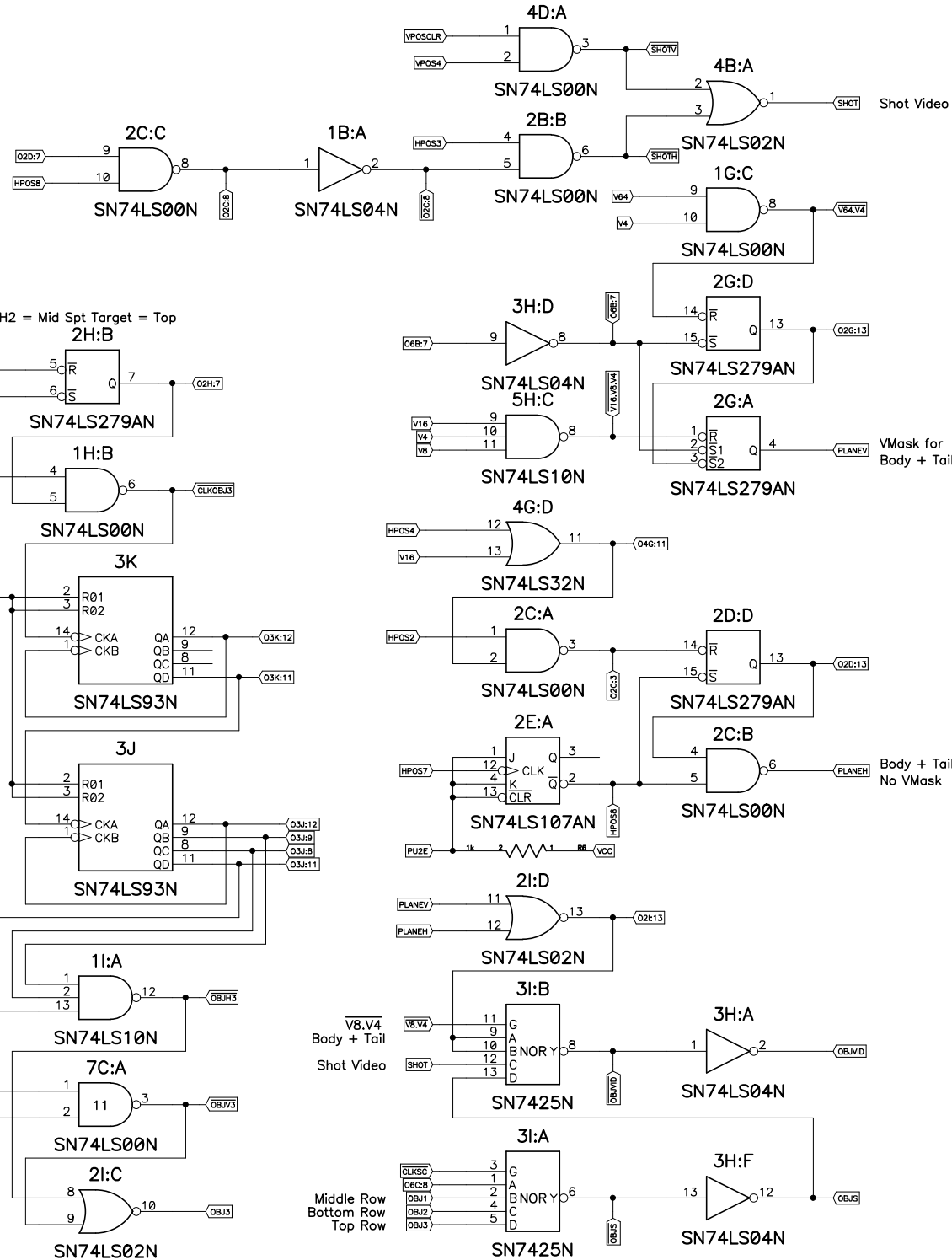
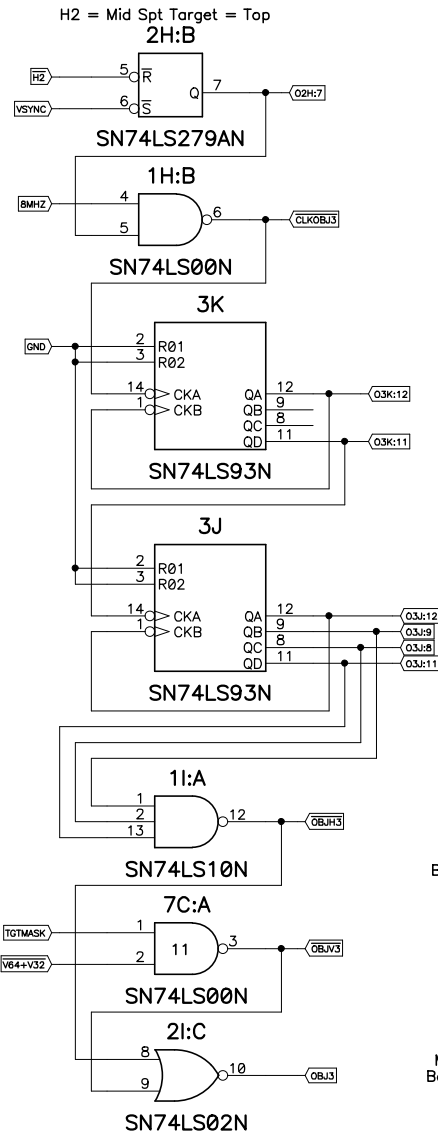
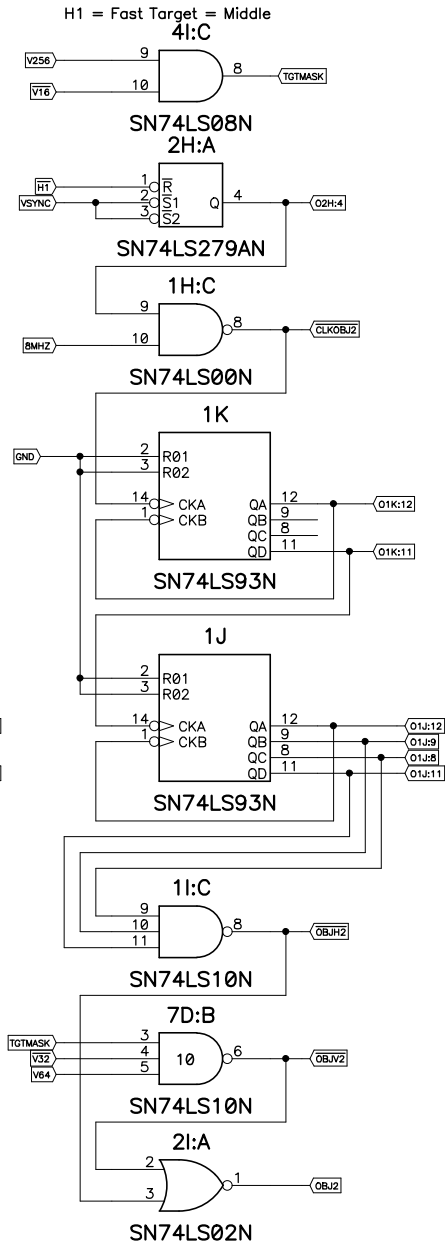
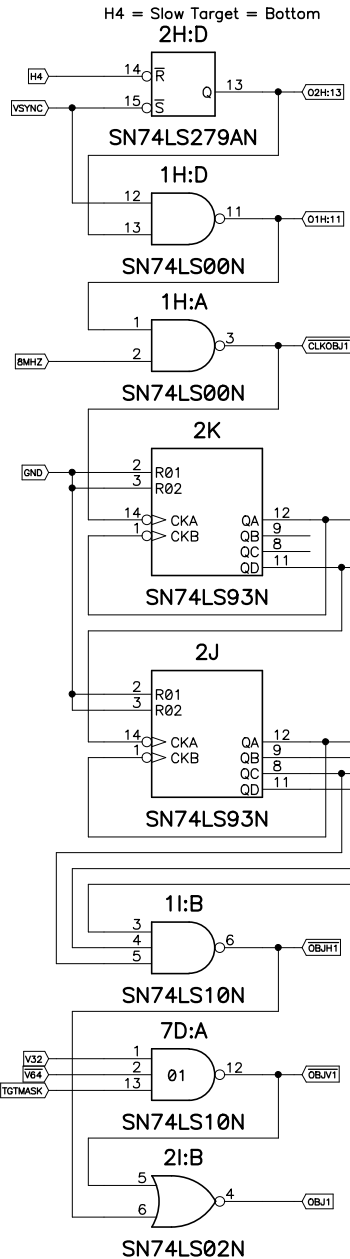


VIDEO + SCORE

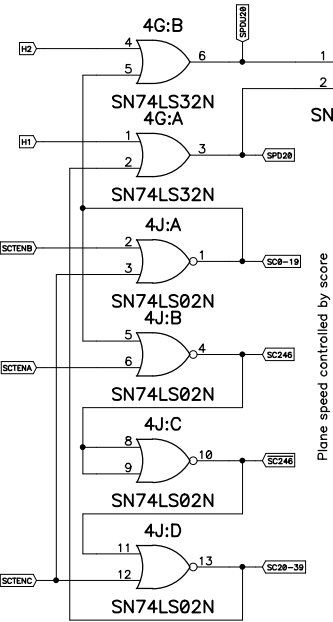
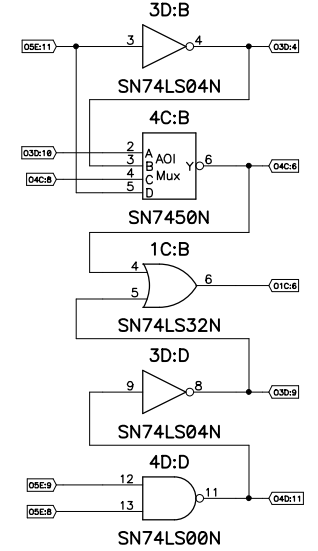
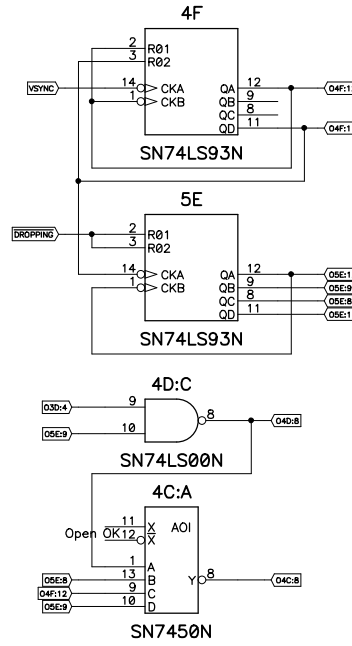
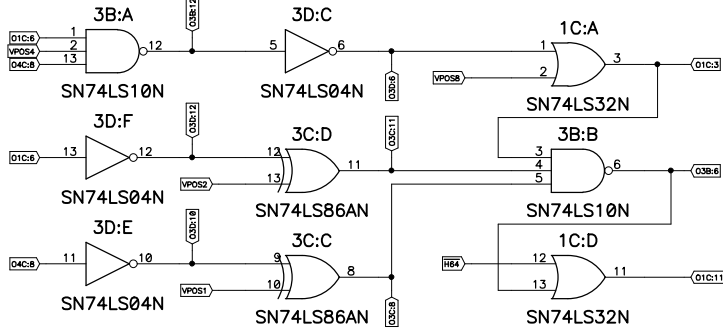
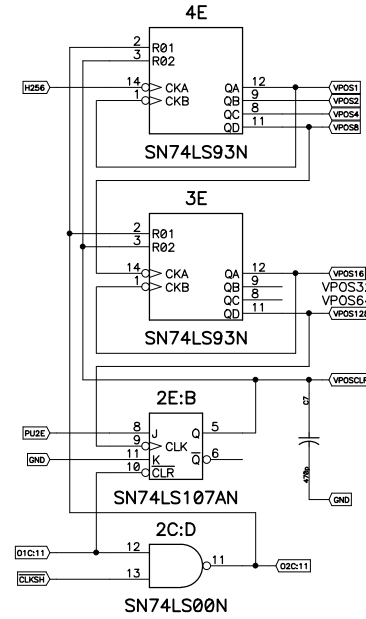


Draw box on screen to indicate coin up

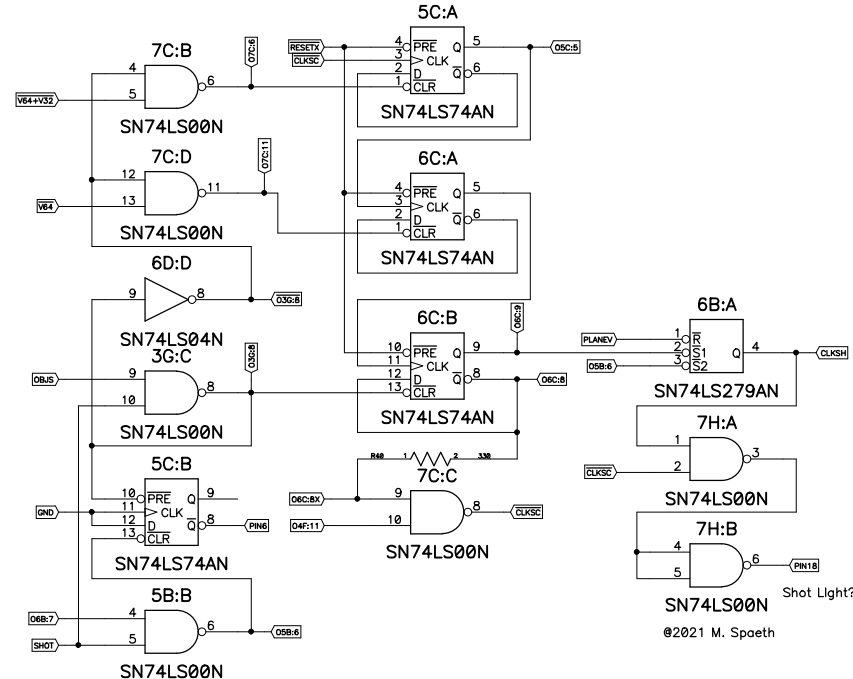
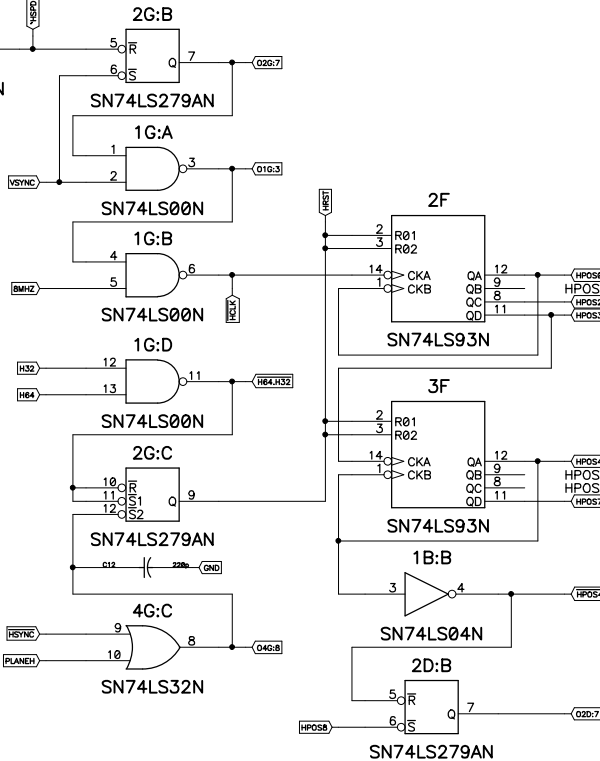
OBJECTS



SHOT



Plane speed controlled by score



Shot Light?

©2021 M. Spaeth