

BAZOOKA PREPARATION INSTRUCTIONS

1. Unpack game and inspect for damage, report or file claim immediately.
2. Upon uncrating Bazooka game, remove rear door from cabinet.
3. Remove $\frac{1}{4}$ x 3" bolt from inside of cabinet, running through Bazooka pipe, parallel to front of cabinet.
4. Turn Bazooka $\frac{1}{4}$ turn counter-clockwise.
5. CAUTION: Do not turn Bazooka any further than $\frac{1}{4}$ turn counter-clockwise or the shot will be misaligned.
6. Replace bolt through pipe and tighten lock nut.

AFTER INSERTING THE BOLT AS ABOVE, THE BAZOOKA SHOULD BE TESTED TO DETERMINE IF IT IS IN ADJUSTMENT, i.e. THE SHOT IS IN LINE WITH THE BAZOOKA POSITION.

1. Slide switch marked shot alignment on drawing.
2. On some early models the switch was not provided, in this case connect a 1K resistor from B-4 pin 9 to positive side of capacitor, 100 MF at 16 VDC just to left of control harness connector (C3) on mother board.
3. This will display shot location.
4. Turn pot marked shot travel center all the way clockwise.
5. Turn pot marked shot travel width all the way clockwise and back up $\frac{1}{4}$ turn.
6. Turn Bazooka all the way left.
7. Loosen pot body installed under the Bazooka and turn it until shot appears as far left as it will go. Tighten body in place.
8. Center the Bazooka and turn pot marked shot travel width until shot is lined up with Bazooka.
9. Shot should now travel with Bazooka across the screen.
10. Slide switch back to original position.
11. Timing pot is set for 90 seconds, turn pot clockwise when standing in rear to increase time, or counter-clockwise to decrease time.



PROJECT SUPPORT ENGINEERING
750 N. Mary Ave., Sunnyvale, CA 94086

TERMS AND CONDITIONS OF WARRANTY

1. PURCHASER'S INSPECTION AND ACCEPTANCE OF GOODS

Purchaser shall properly inspect and test the goods sold hereunder immediately upon their arrival and shall within ten days after their arrival give written notice to Project Support Engineering (PSE) of any claim that the goods are damaged or defective. If Purchaser fails to inspect and test the goods as called for above, Purchaser will be held to have accepted the goods with all faults that inspection and testing would have revealed, to have waived all rights Purchaser may have had to revoke acceptance after said ten day period, and to have waived all claims for breach of warranty arising out of or occasioned by any such faults.

2. LIMITED WARRANTY

PSE warrants the printed circuit board contained in the Video Game to be free from defects in workmanship and materials for a period of one year from the date of shipment provided warranty registration procedures are complied with. EXCEPT AS PROVIDED IN THE PREVIOUS SENTENCE, PSE MAKES NO WARRANTY, EXPRESS OR IMPLIED, OF MERCHANTABILITY OR FITNESS FOR A PARTICULAR PURPOSE, AND NO OTHER WARRANTIES EXPRESS OR IMPLIED, ARE MADE HEREIN UNLESS SPECIFICALLY PROVIDED FOR BY WRITTEN ATTACHMENT HERETO. The printed circuit boards warranted herein shall not be returned to PSE without prior approval of PSE. Defective printed circuit boards should be shipped after approval of PSE to PSE's Home Office for repair or replacement. Purchaser shall be responsible for all cost of shipment and risk of loss or damage during shipment.

3. EXCLUSIVE REMEDIES AND LIMITATION OF LIABILITY

With respect to claims based on alleged damaged or defective goods or alleged negligence of PSE, BUYERS EXCLUSIVE REMEDY SHALL BE FOR DAMAGES. THE LIABILITY OF PSE FOR ANY LOSS OR DAMAGE CAUSED BY DAMAGED OR DEFECTIVE GOODS, IRRESPECTIVE OF WHETHER SUCH DEFECTS ARE DISCOVERABLE OR LATENT, OR FOR THE NEGLIGENCE OF PSE, SHALL IN NO EVENT EXCEED THE PURCHASE PRICE OF THE PARTICULAR GOODS CAUSING LOSS OR DAMAGE, OR, AT THE ELECTION OF PSE, THE REPAIR OR REPLACEMENT OF EQUIPMENT OR PARTS COVERED BY THE WARRANTY, such repair or replacement to occur at the location selected by PSE IN NO EVENT SHALL PSE BE LIABLE FOR INCIDENTAL OR CONSEQUENTIAL DAMAGES CAUSED BY DAMAGED OR DEFECTIVE GOODS OR THE NEGLIGENCE OF PSE.

Detach and Mail to PSE

WARRANTY REGISTRATION CARD

COMPANY NAME: _____

ADDRESS: _____

CITY, STATE, ZIP: _____

SERIAL NO: _____ DATE OF SHIPMENT: _____

PURCHASED FROM: _____

ADDRESS: _____

CITY, STATE, ZIP: _____

BUSINESS REPLY MAIL

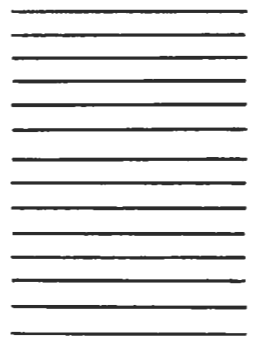
No postage necessary if mailed in the United States
Postage will be paid by:



PROJECT SUPPORT ENGINEERING

750 N. MARY, SUNNYVALE, CALIFORNIA 94086

First Class
Permit No. 875
Sunnyvale CA





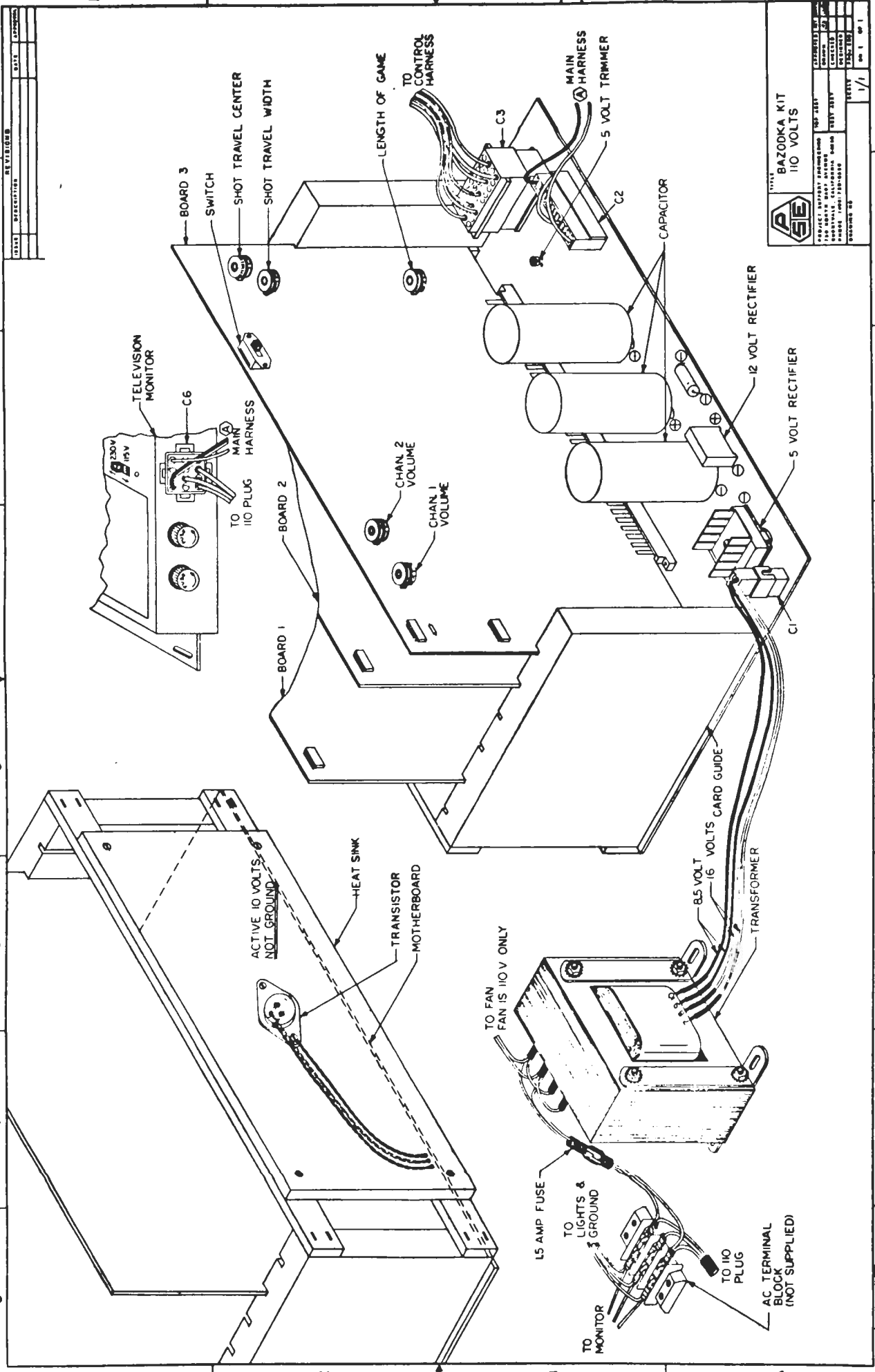
Bradley J. Grigsby
SERVICE SUPERVISOR

(408) 739-8550

PROJECT SUPPORT ENGINEERING

750 N. MARY, SUNNYVALE, CALIF. 94086

Toll Free 800-538-1798



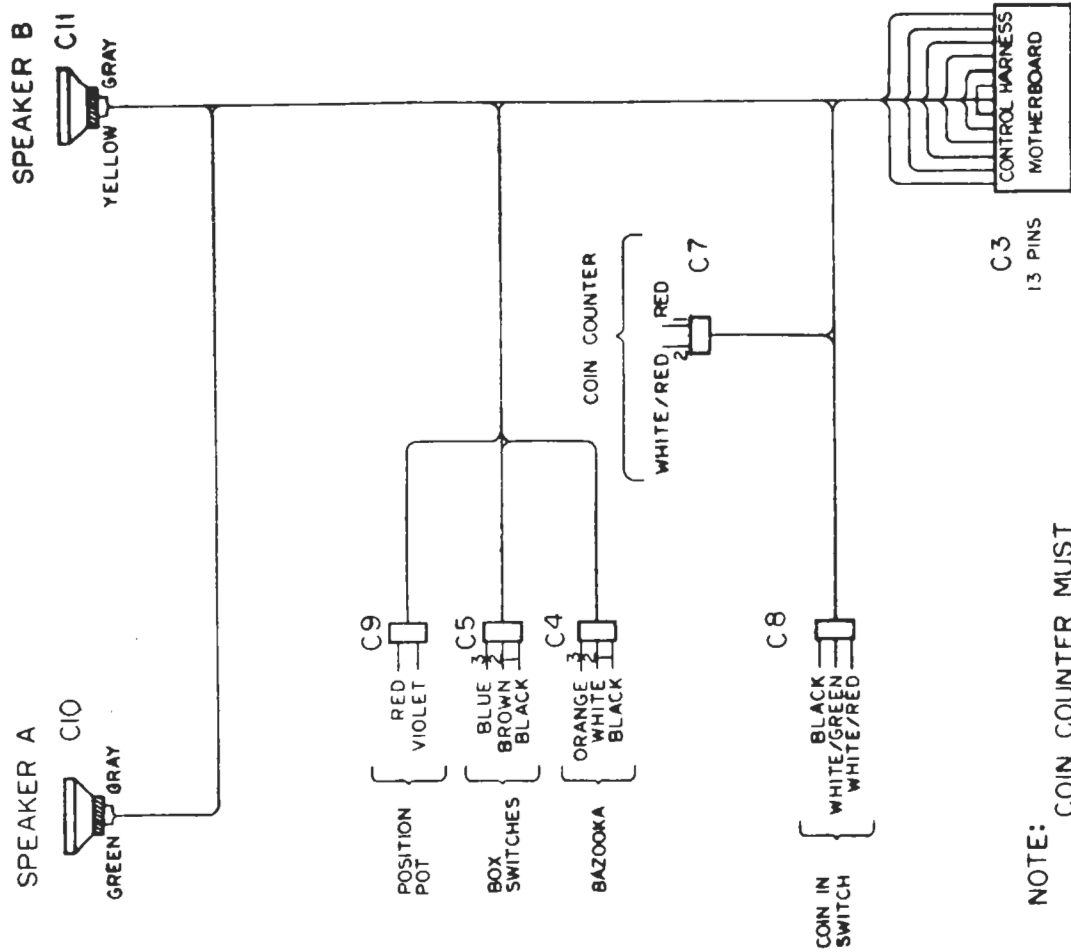
REVISED	DESCRIPTION	DATE	APPROVED

**BAZODKA KIT
110 VOLTS**

GE

GENERAL ELECTRIC COMPANY
 GE BUILDING
 PITTSBURGH, PA. 15224
 U.S.A.
 REVISIONS:
 1/1
 REVISED 1/71

WIRING LIST		
PIN #	COLOR	LOCATION
17	GREEN	SPEAKER A C3
25	YELLOW	SPEAKER B
5	GRAY	SPEAKER COMMON
6	BLACK (2 EA)	CONTROLS RETURN
1	RED	POT SOURCE
9	ORANGE	FIRE BUTTON
33	BLUE -	HIGH SCORE CLEAR
13	VIOLET	POT
20	BROWN	START
12	WHITE	LIGHT
35	WHITE/RED	COIN SWITCH NO
36	WHITE/GREEN	COIN SWITCH NC
NOTE: ALL WIRE #22 GAUGE.		
7	WHITE/SHIELD	VIDEO C2
1	#18 BROWN	GROUND
12	SHIELD	GROUND
1	GREEN	8.5 RMS / 8A C1
5	GREEN	8.5 RMS / 8A
3	WHITE	16 RMS / 1A
6	WHITE	16 RMS / 1A
NOTE: ALL WIRE #18 GAUGE		



NOTE: COIN COUNTER MUST HAVE PROTECTION DIODE.

APPROVAL

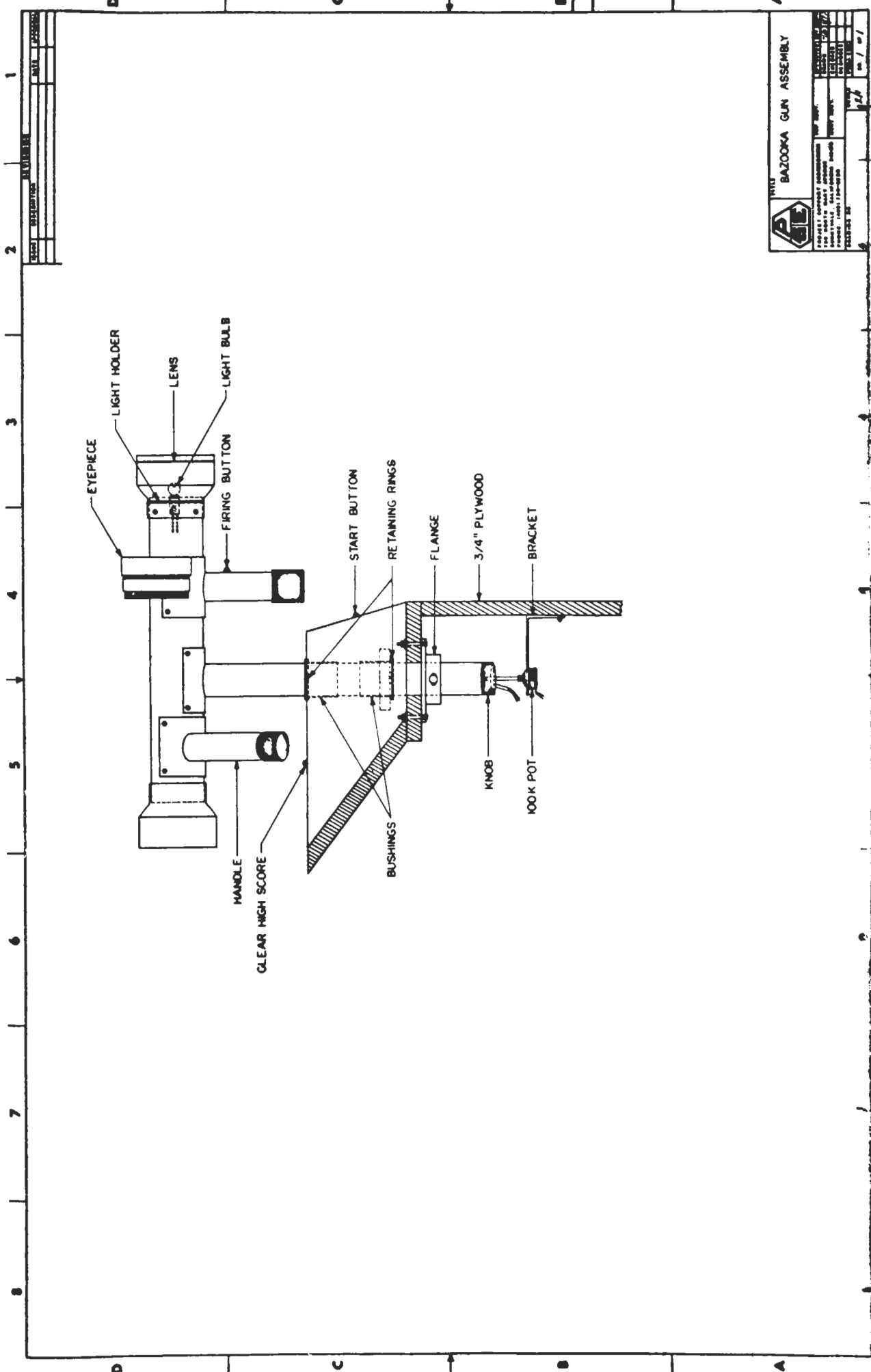
ISSUE	DESCRIPTION	DATE	APPROVAL

TITLE
BAZOOKA WIRING LIST & DIAGRAM

PROJECT SUPPORT ENGINEERING
 780 MONTE BERRY AVENUE
 SUNNYVALE, CALIFORNIA 94086
 PHONE: 408/750-9988

APPROVED (RT. DATE)
 DRAWN: []
 CHECKED: []
 DESIGNER: []
 PROJ. ENCL: []

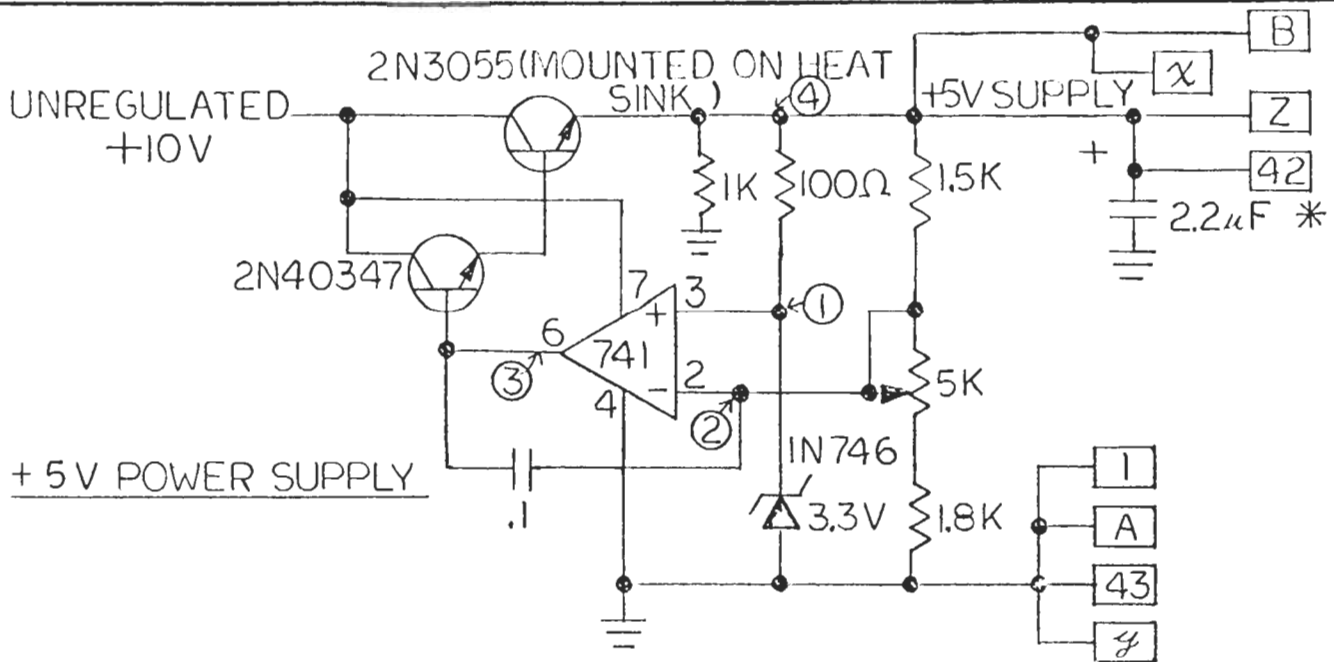
SCALE
 DR. 1 OF 1



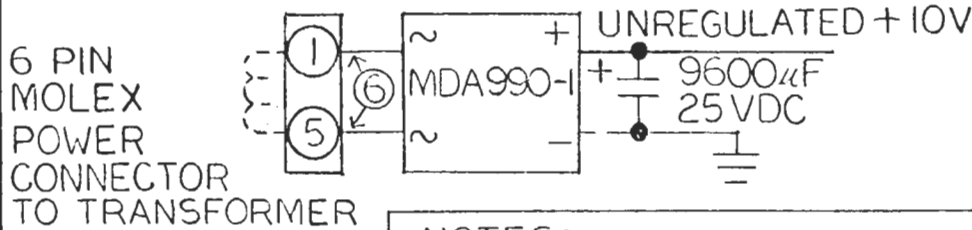
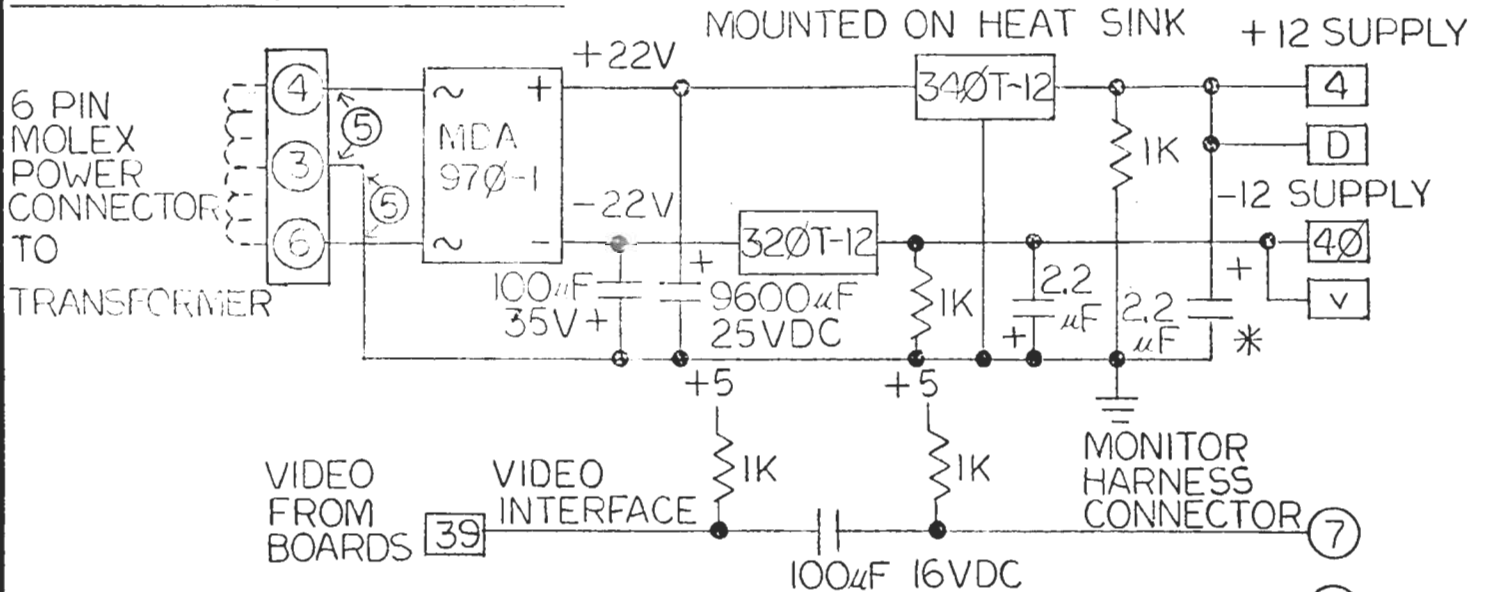
REV	DESCRIPTION	DATE	BY

BAZOOKA GUN ASSEMBLY

PROJECT NO.	
DATE	
DESIGNED BY	
CHECKED BY	
APPROVED BY	
CONTRACT NO.	



+12 AND -12 POWER SUPPLY



*TANTALUM

NOTES:

- ① +3 TO +3.5V
- ② +3 TO +3.5V
- ③ +6.5 TO +7V
- ④ +4.75 TO +5.25V
- ⑤ 16 VRMS
- ⑥ 8.5 VRMS



TITLE
POWER SUPPLY SCHEMATIC

TOP ASSY.

APPROVED

INT.

DATE

DRAWN

P

12/77

NEXT ASSY.

CHECKED

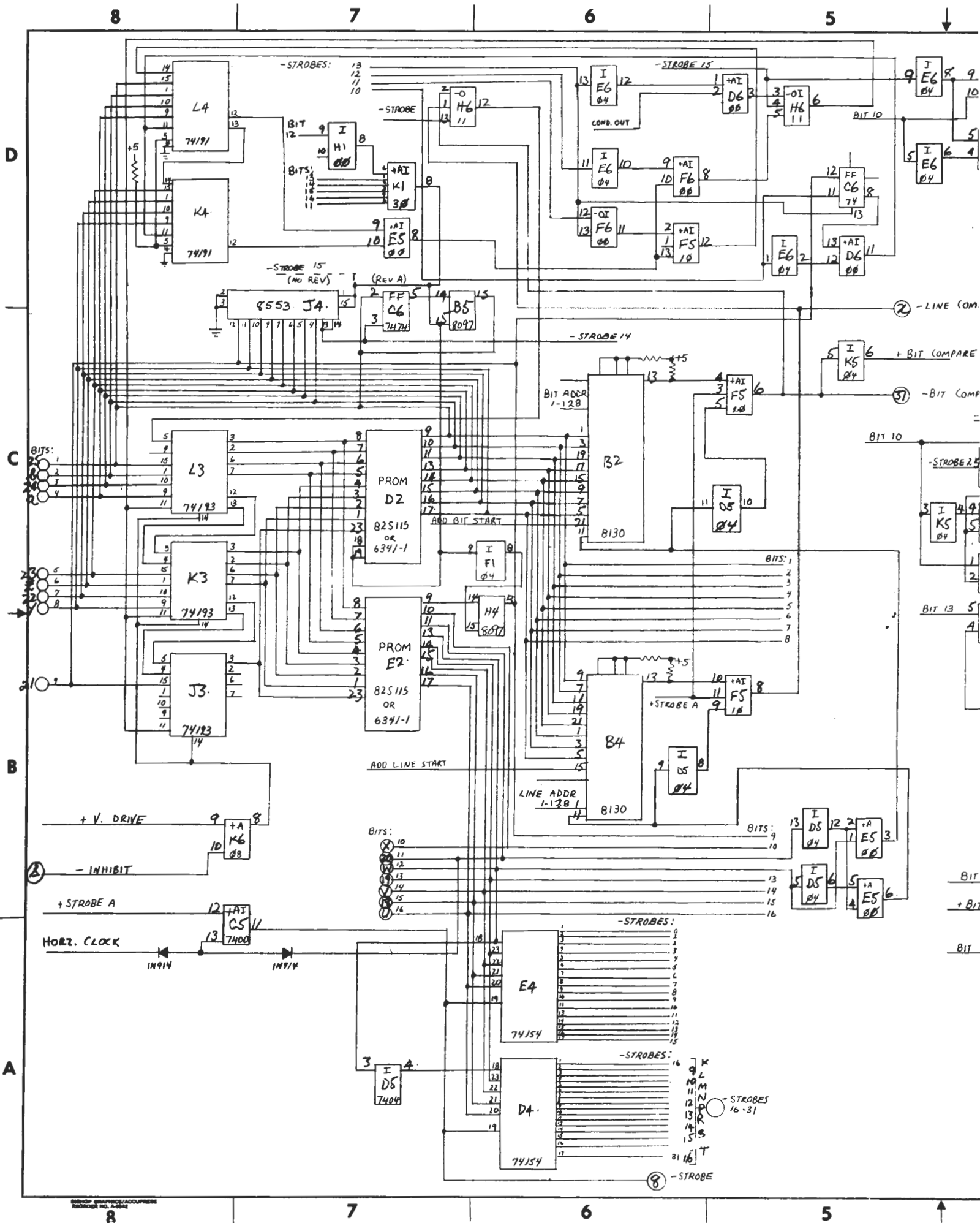
DESIGNER

PROJ. ENG.

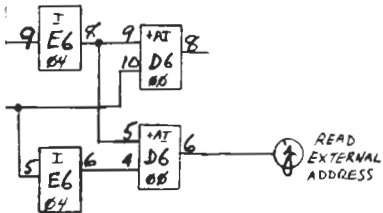
PROJECT SUPPORT ENGINEERING
750 NORTH MARY AVENUE
SUNNYVALE, CALIFORNIA 94086
PHONE: (408) 739-8550

SH. | OF |
SCALE | REV.

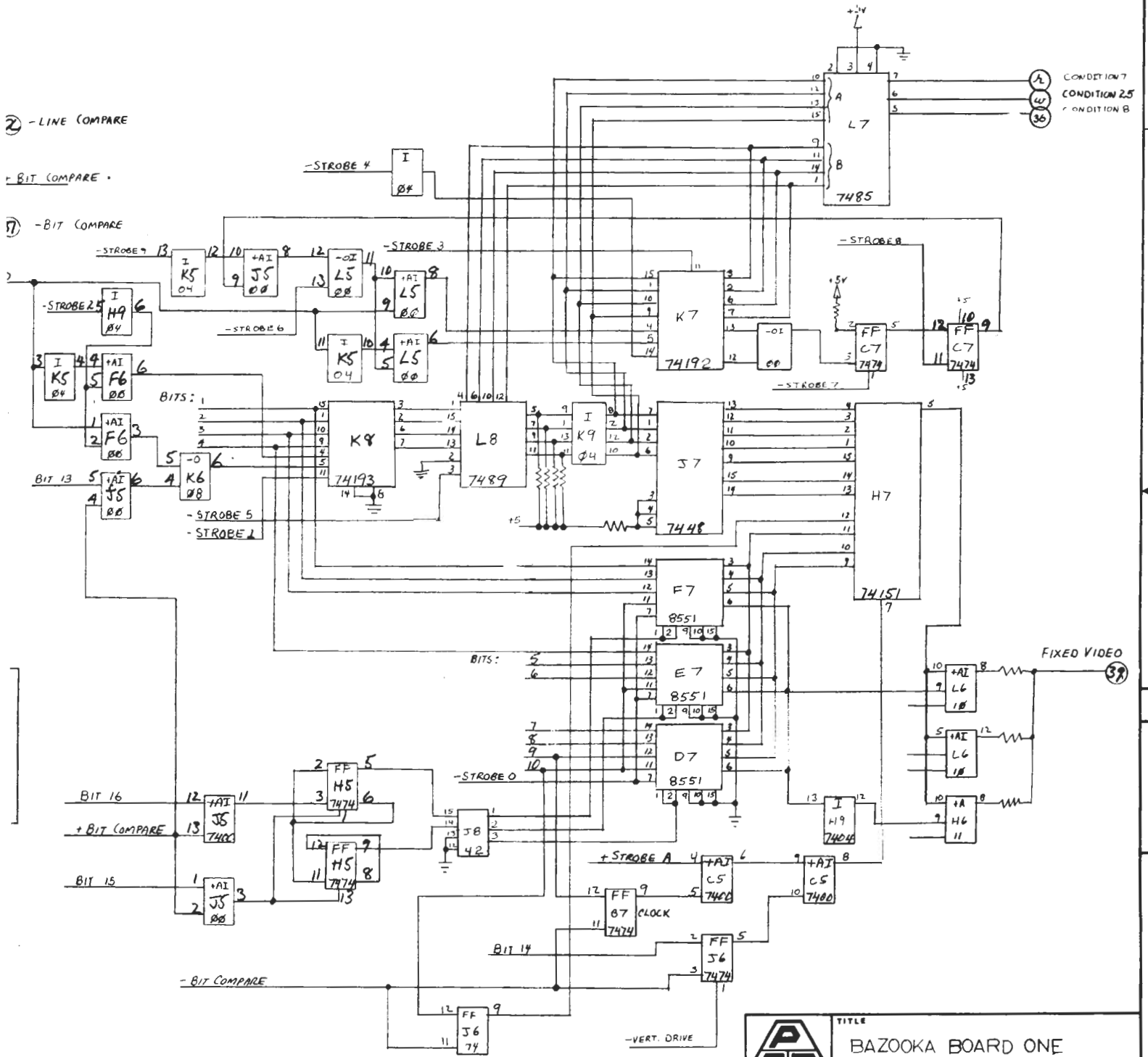
DRAWING NO.



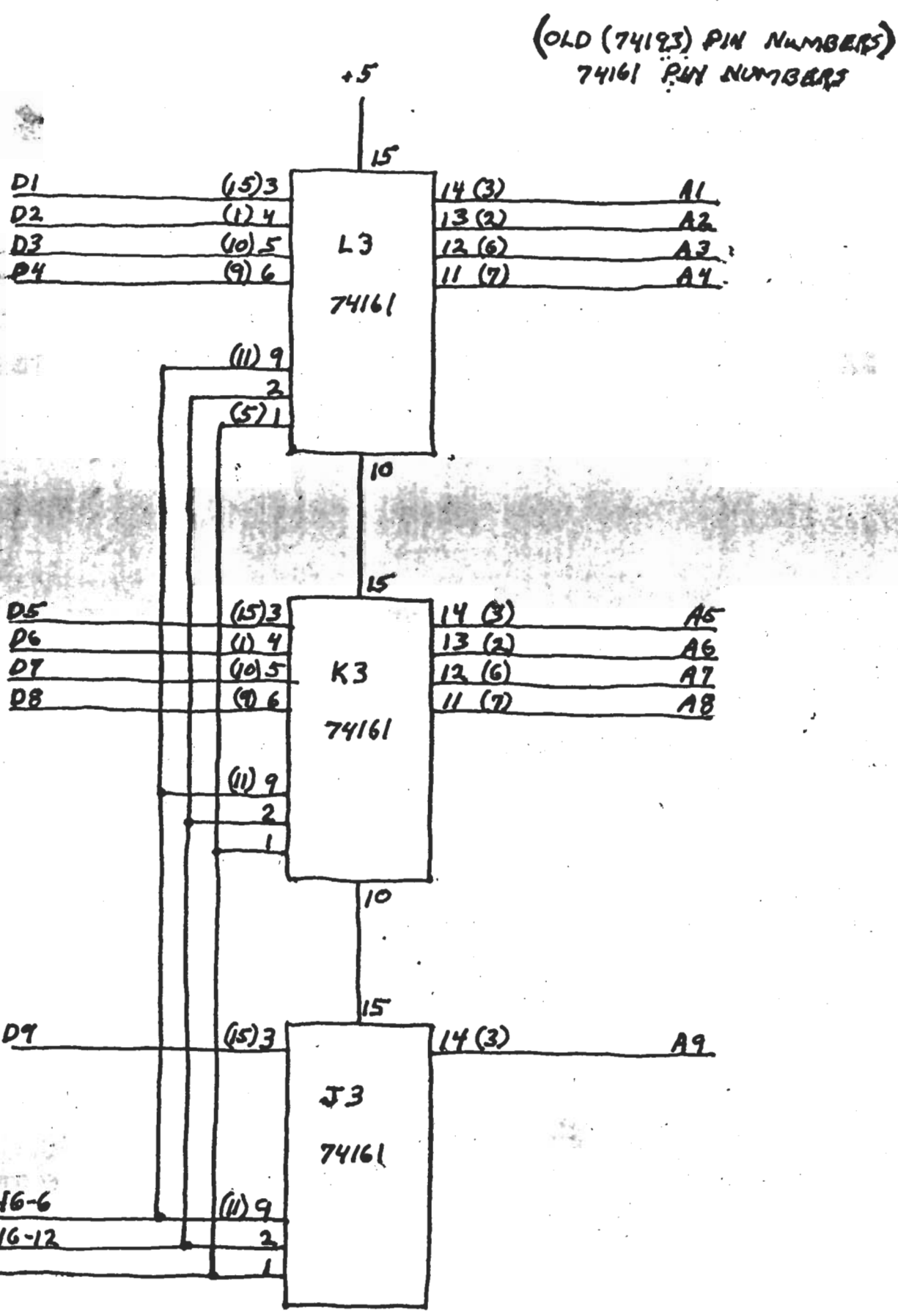
REVISIONS			
ISSUE	DESCRIPTION	DATE	APPROVAL

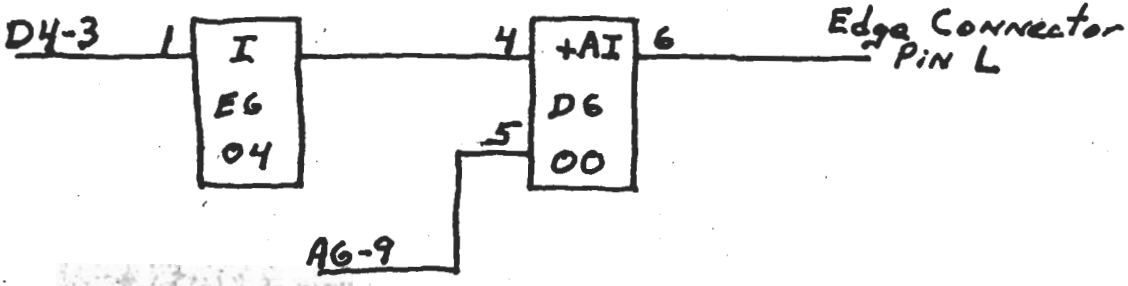


- ② - LINE COMPARE
- BIT COMPARE
- ⑦ - BIT COMPARE

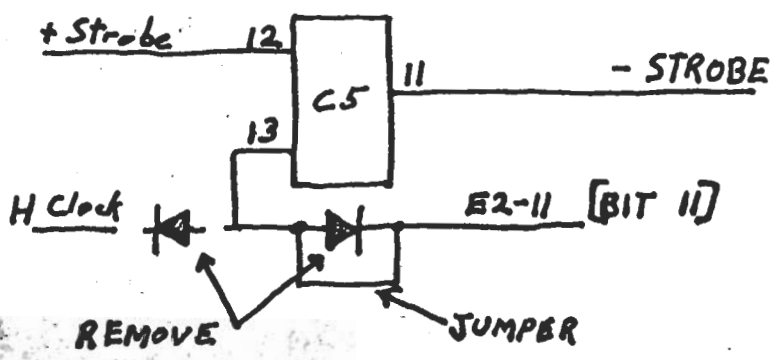
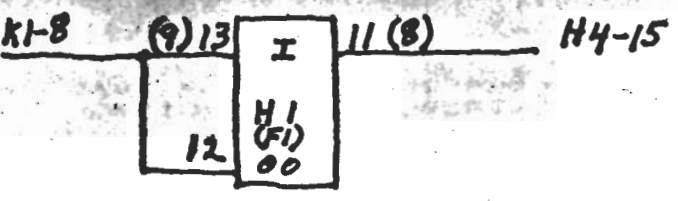



	TITLE	
	BAZOOKA BOARD ONE	
PROJECT SUPPORT ENGINEERING 750 NORTH MARY AVENUE SUNNYVALE, CALIFORNIA 94086 PHONE: (408) 739-8550	TOP ASSY.	APPROVED INT. DATE
	NEXT ASSY.	DRAWN
	SCALE	CHECKED
DRAWING NO.	PROJ. ENG.	DESIGNER
		SH. 1 OF 2





(Old (7404) Pin Numbers)
7400 Pin Numbers



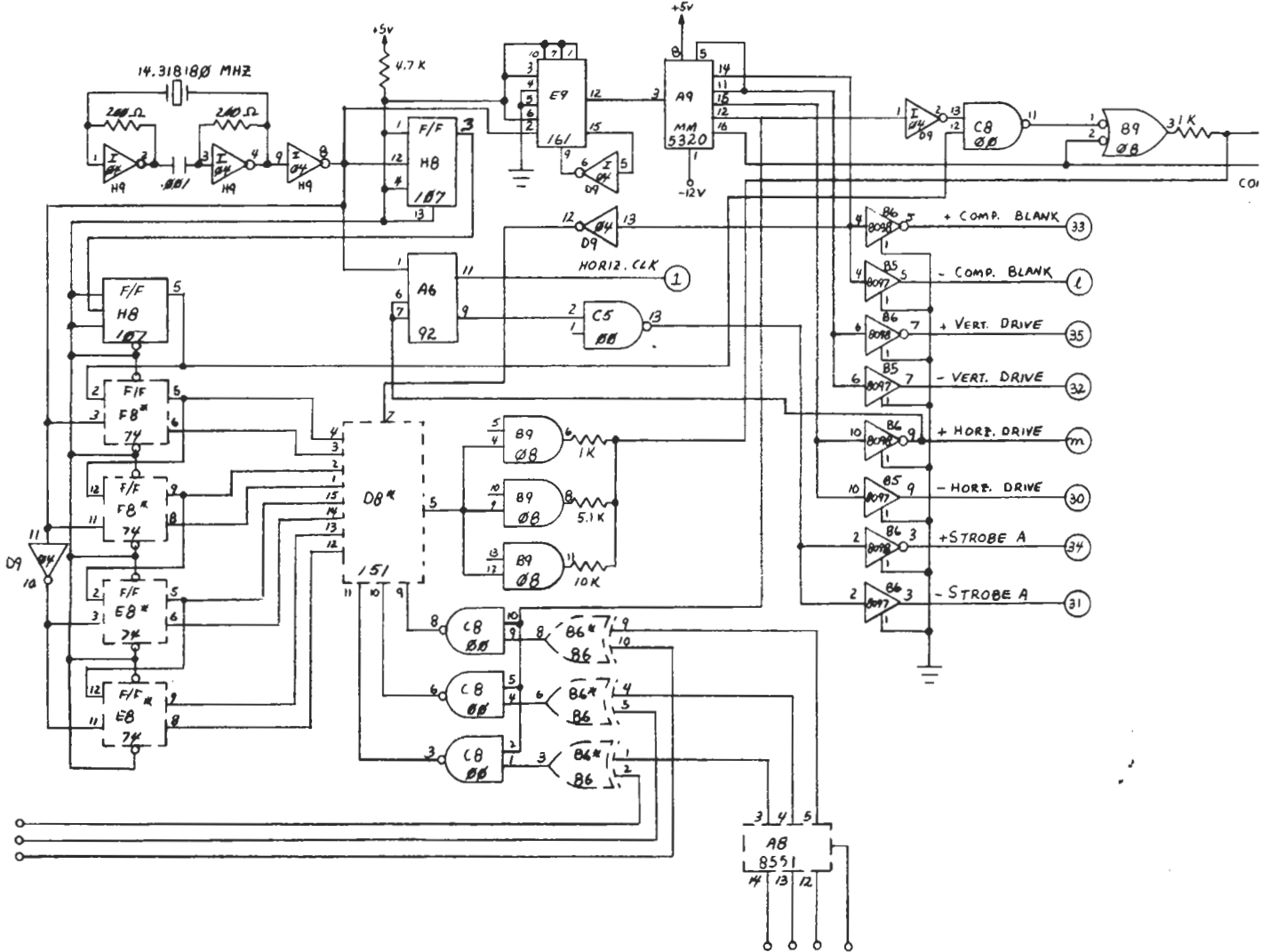
	TITLE PROGRAM COUNTER REV. B; BOARD 1	TOP ASSY.	APPROVED	INT.	DATE
		NEXT ASSY.	DRAWN		
PROJECT SUPPORT ENGINEERING 750 NORTH MARY AVENUE SUNNYVALE, CALIFORNIA 94088 PHONE 14081 739-8550	SH. 1 OF 1 SCALE REV.	DRAWING NO.	CHECKED		
			DESIGNER		
			PROJ. ENG		

D

C

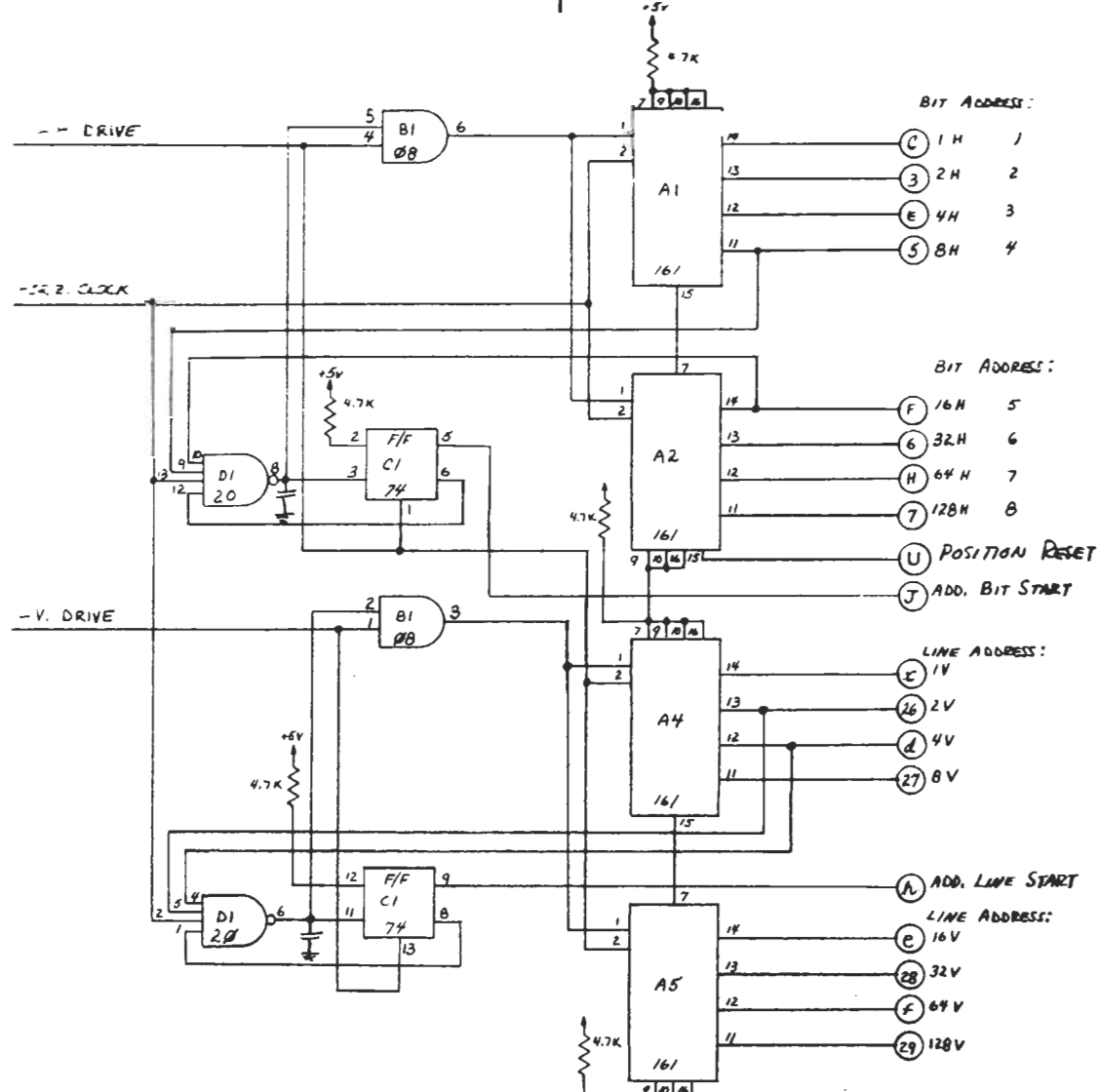
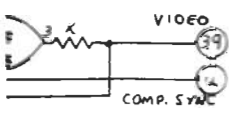
B

A



* NOTE: COMPONENTS WITH DASHED LINES
LOADED ONLY FOR COLOR.

REVISIONS			
ISSUE	DESCRIPTION	DATE	APPROVED



	TITLE		BAZOOKA BOARD ONE	
	PROJECT SUPPORT ENGINEERING 750 NORTH MARY AVENUE SUNNYVALE, CALIFORNIA 94086 PHONE: (408) 739-8680	TOP ASSY.	APPROVED	INT. DATE
DRAWING NO.	SCALE	CHECKED	DESIGNER	PROJ. ENG.
SH. 2. OF 2.				

8

7

6

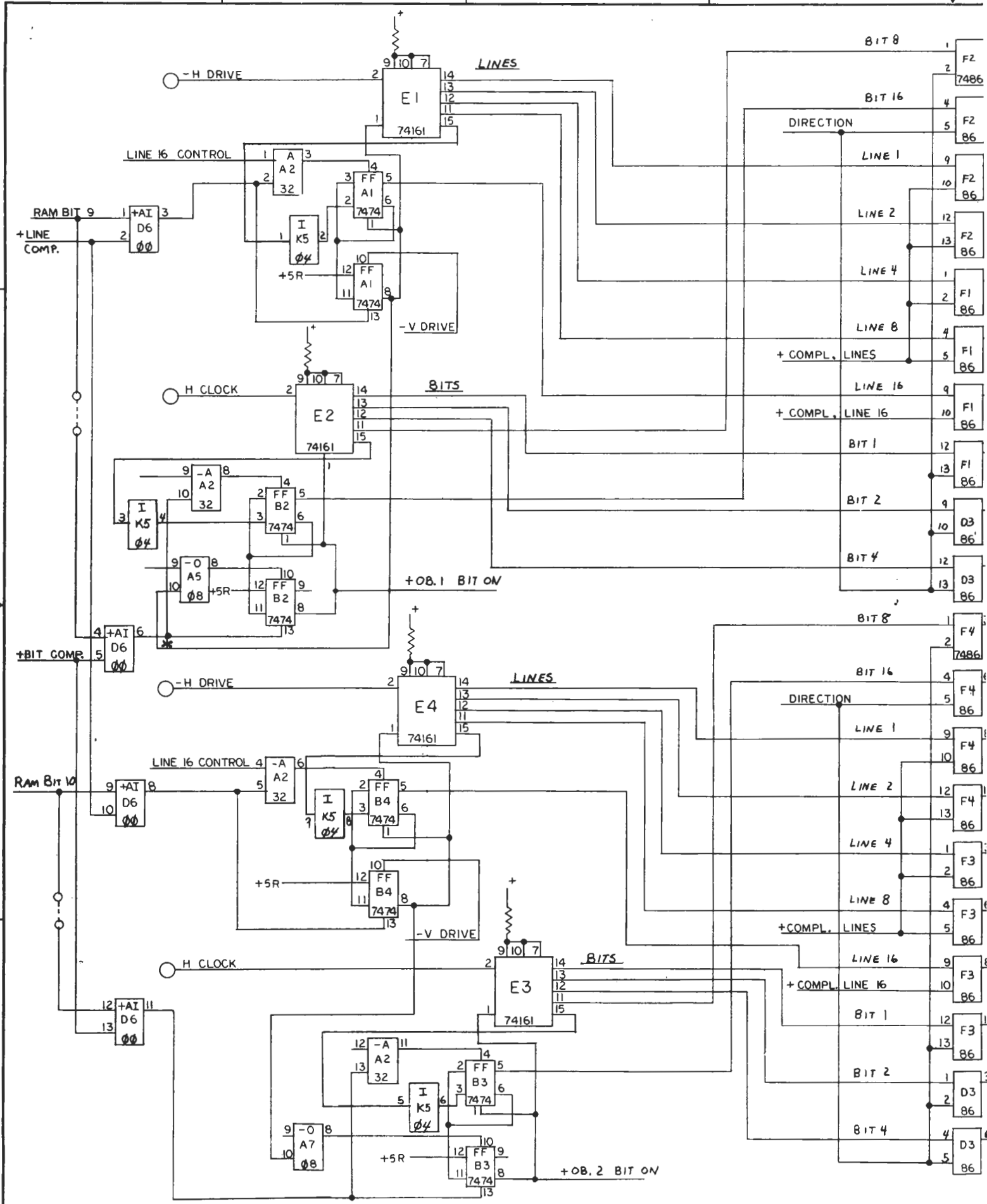
5

D

C

B

A

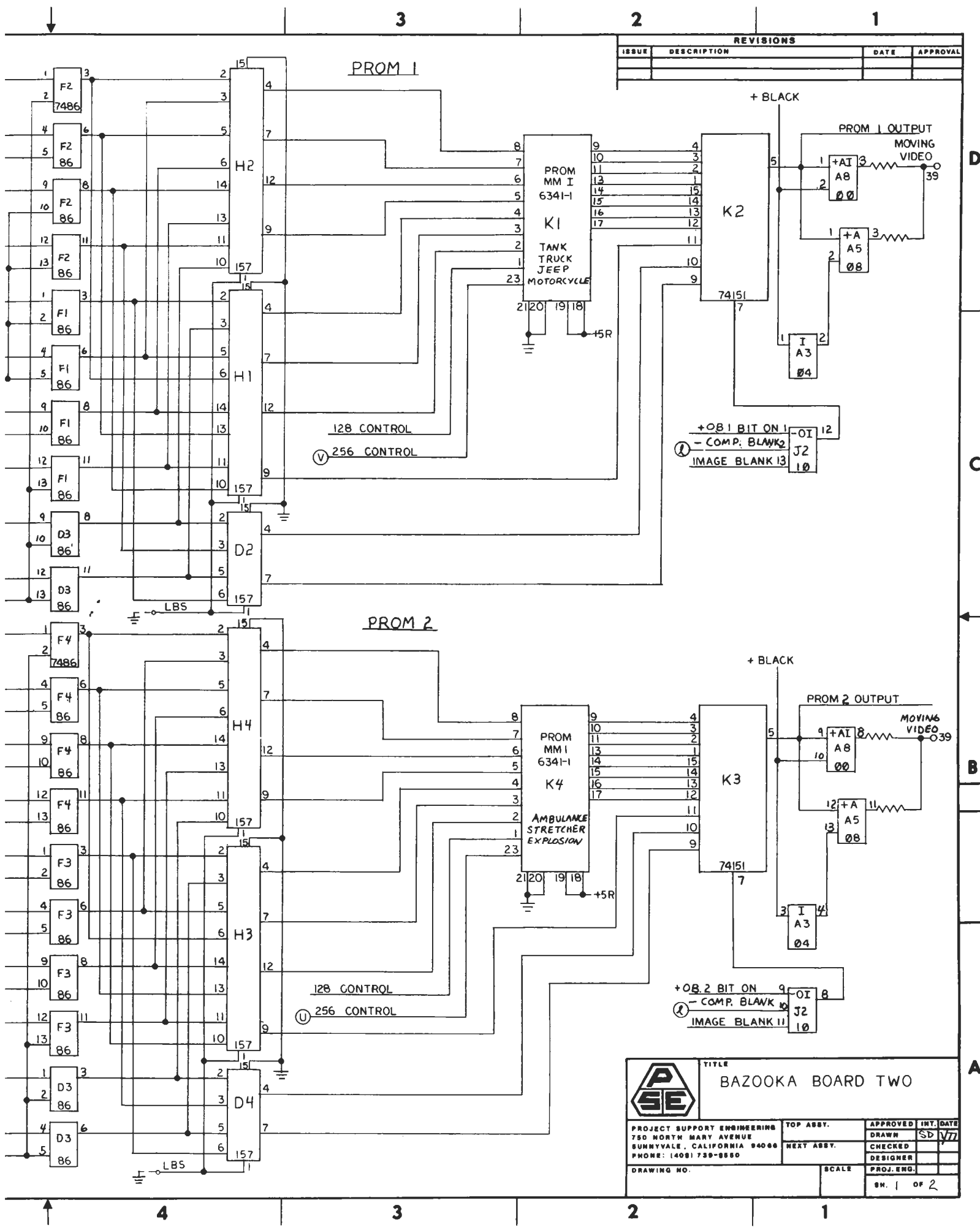


8


7

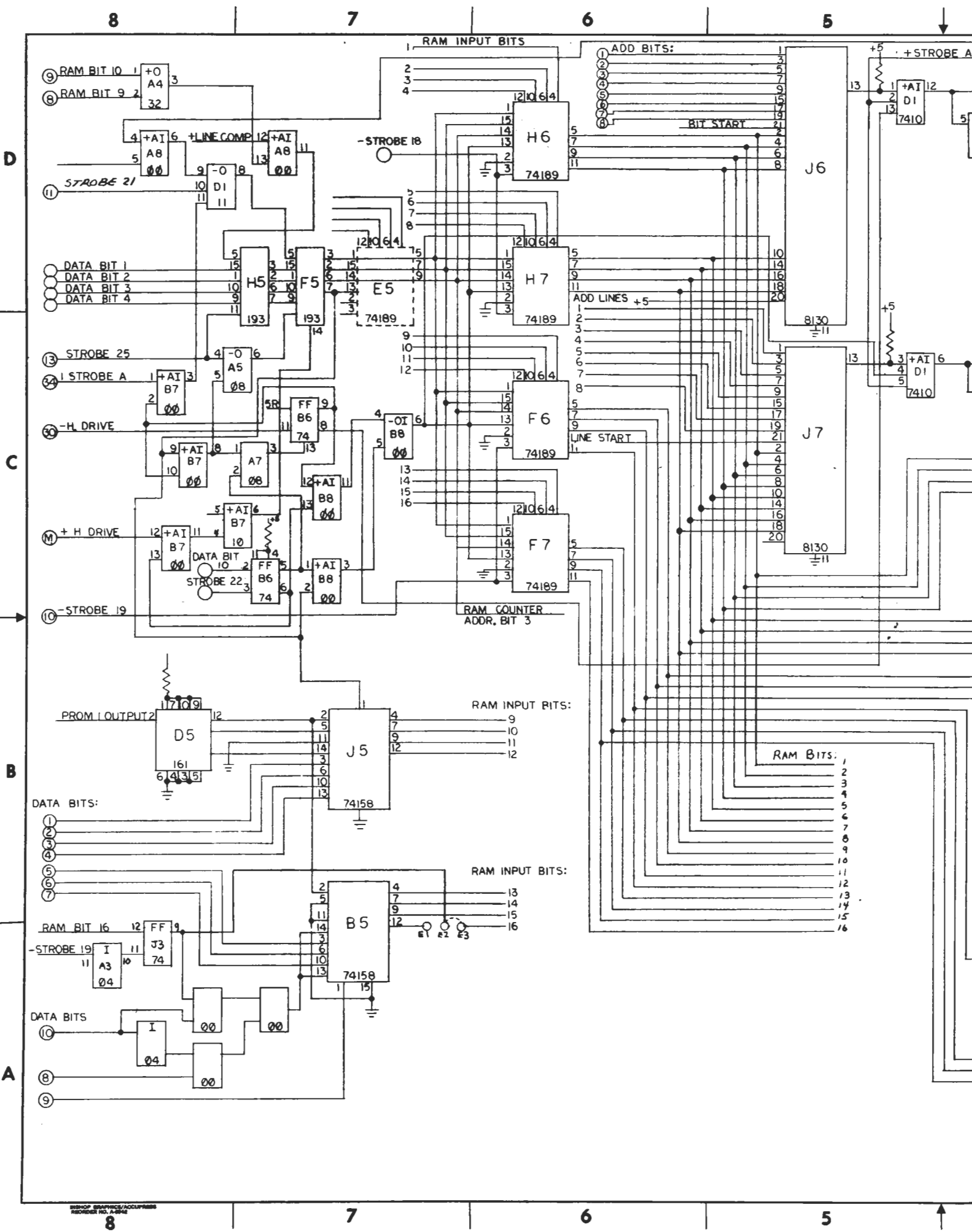
6

5

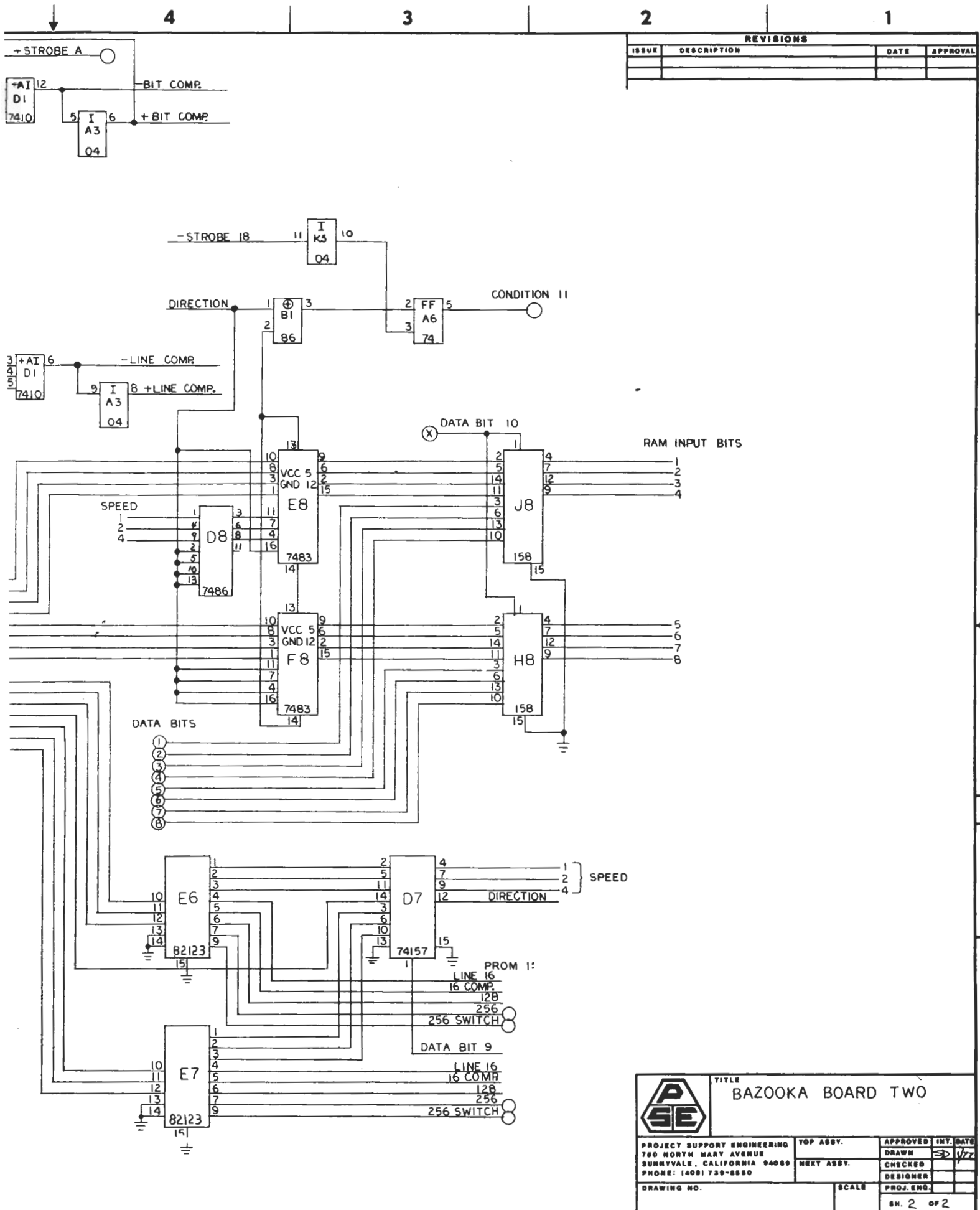


REVISIONS			
ISSUE	DESCRIPTION	DATE	APPROVAL

		TITLE	
		BAZOOKA BOARD TWO	
PROJECT SUPPORT ENGINEERING 750 NORTH MARY AVENUE SUNNYVALE, CALIFORNIA 94086 PHONE: (408) 739-8550		TOP ASST.	APPROVED
DRAWING NO.		NEXT ASST.	DRAWN <i>SB</i>
SCALE		DESIGNED	INT. DATE
		PROJ. ENG.	
		SN. 1 OF 2	



REVISIONS			
ISSUE	DESCRIPTION	DATE	APPROVAL



	TITLE		BAZOOKA BOARD TWO	
	PROJECT SUPPORT ENGINEERING 780 NORTH MARY AVENUE SUNNYVALE, CALIFORNIA 94089 PHONE: 1408/739-8880	TOP ASSY.	APPROVED	INT. DATE
DRAWING NO.	NEXT ASSY.	CHECKED	DESIGNER	
SCALE	PROJ. ENG.	SH. 2 OF 2		

8

7

6

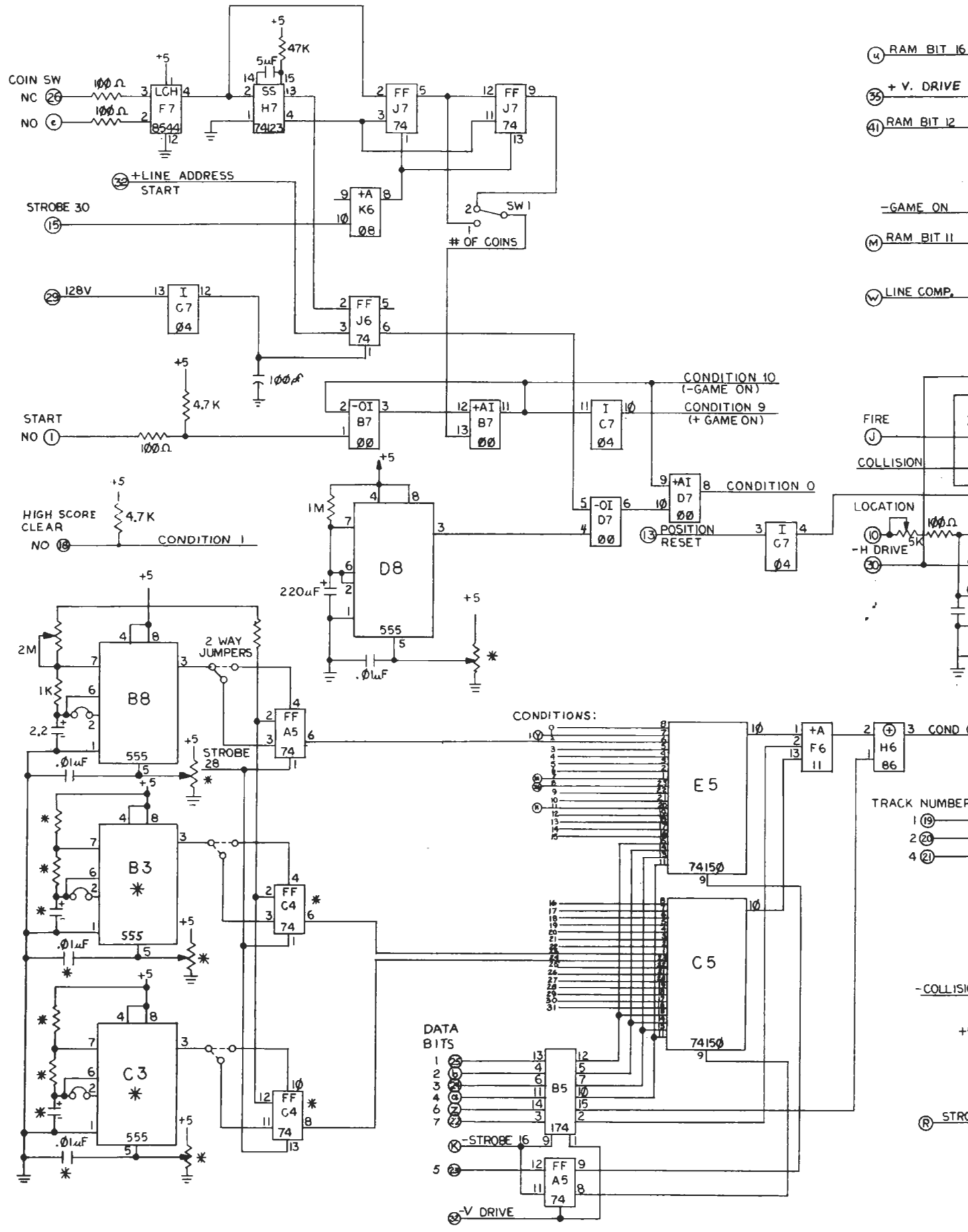
5

D

C

B

A



(u) RAM BIT 16

(35) + V. DRIVE

(41) RAM BIT 12

- GAME ON

(M) RAM BIT 11

(W) LINE COMP.

FIRE (J)

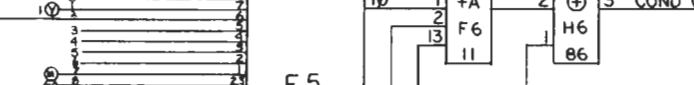
COLLISION

LOCATION

(10) -H DRIVE

(30)

CONDITIONS:



TRACK NUMBER

1 (19)

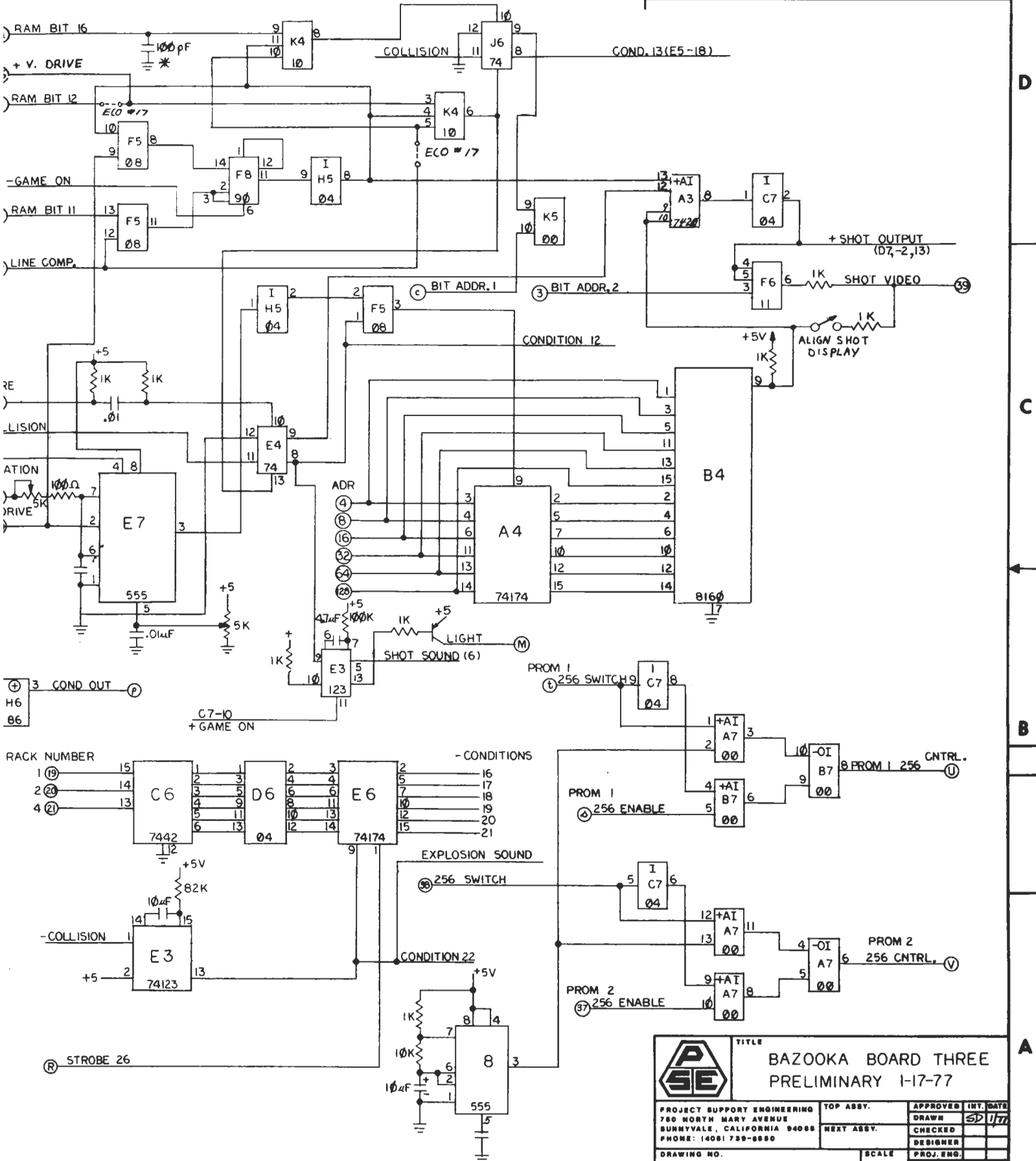
2 (20)

4 (21)

- COLLISION

(R) STROBE

REVISIONS			
ISSUE	DESCRIPTION	DATE	APPROVAL



PROJECT SUPPORT ENGINEERING
 780 NORTH MARY AVENUE
 SUNNYVALE, CALIFORNIA 94086
 PHONE: (408) 739-8880

TOP ASSY.
 NEXT ASSY.

APPROVED
DRAWN
CHECKED
DESIGNER
PROJ. ENG.

SCALE

SH. 1 OF 2

BAZOOKA BOARD THREE
PRELIMINARY 1-17-77

8

7

6

5

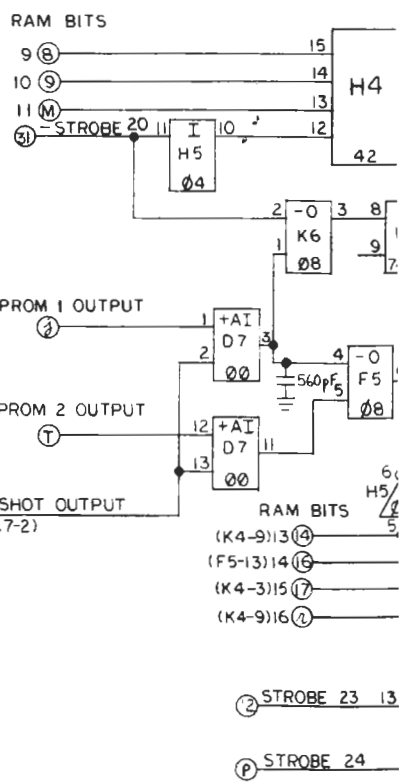
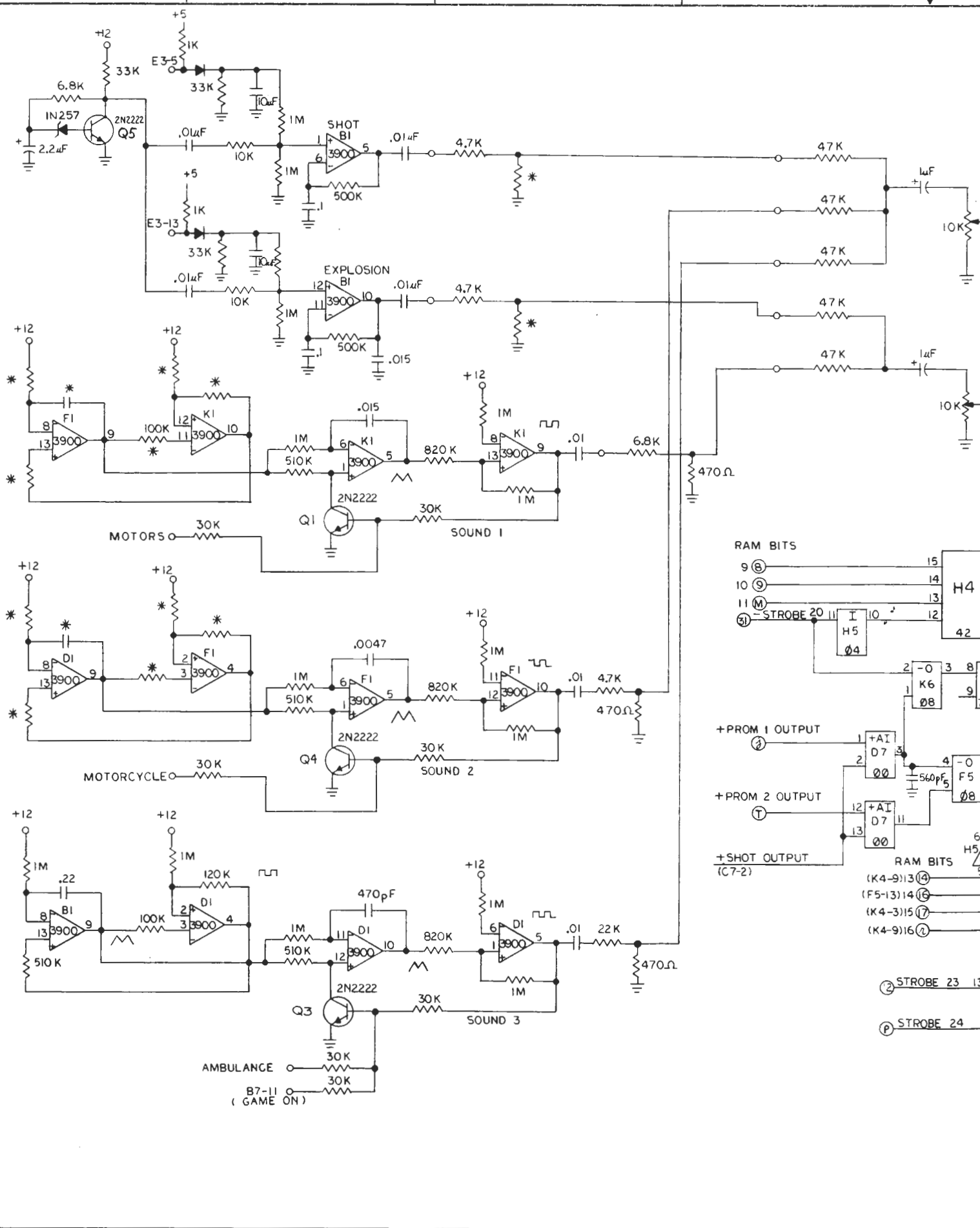
↓

D

C

B

A



8

7

6

5

↑

4

3

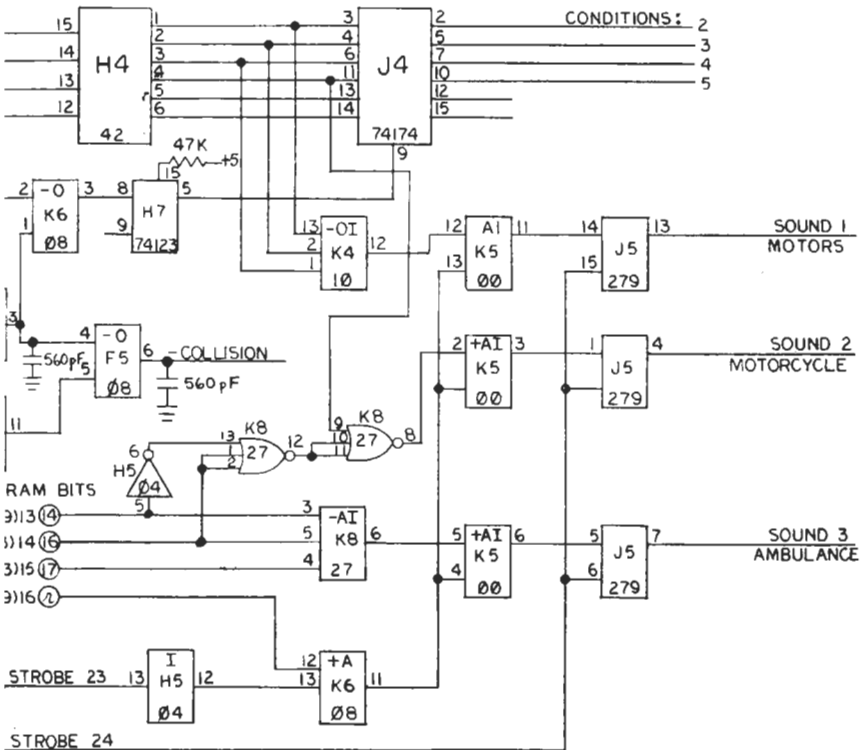
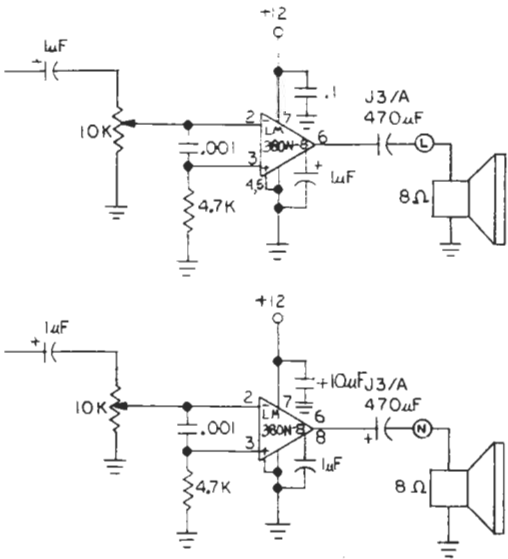
2


1

REVISIONS			
ISSUE	DESCRIPTION	DATE	APPROVAL

NOTE:

ALL PARTS MARKED *
NOT USED IN BAZOOKA.



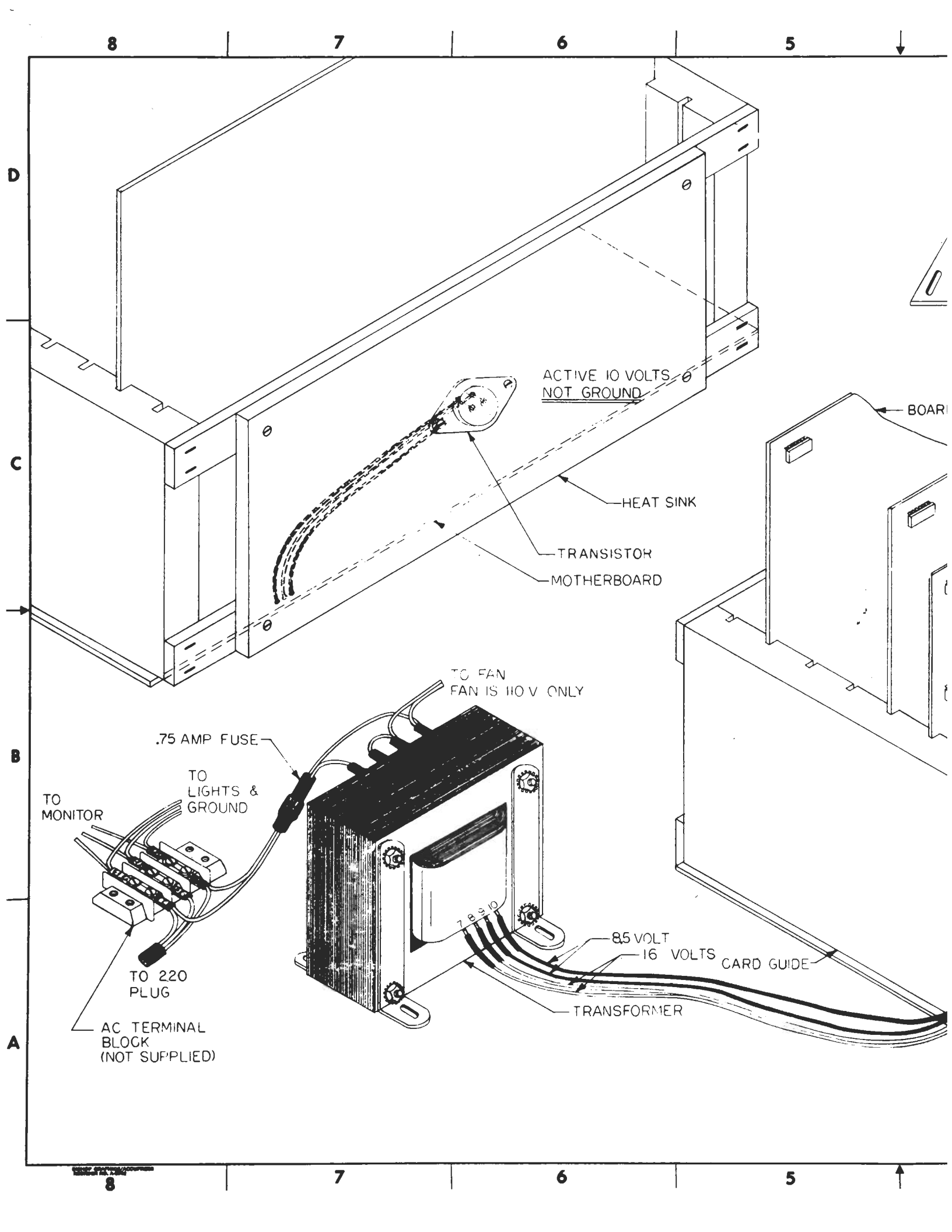
	TITLE		BAZOOKA BOARD THREE	
			PRELIMINARY H7-76	
PROJECT SUPPORT ENGINEERING 750 NORTH MARY AVENUE SUNNYVALE, CALIFORNIA 94086 PHONE: (408) 739-6690	TOP ASSY.	APPROVED	INT. DATE	
	NEXT ASSY.	DRAWN	8/77	
		CHECKED		
		DESIGNER		
DRAWING NO.	SCALE	PROJ. ENG.		
		SH. 2 OF 2		

4

3

2

1



8

7

6

5



D

C

B

A

ACTIVE 10 VOLTS
NOT GROUND

HEAT SINK

TRANSISTOR
MOTHERBOARD

BOARD

TO FAN
FAN IS 110 V ONLY

.75 AMP FUSE

TO LIGHTS &
GROUND

TO MONITOR

TO 220
PLUG

AC TERMINAL
BLOCK
(NOT SUPPLIED)

7 8 9 10

8.5 VOLT

16 VOLTS

CARD GUIDE

TRANSFORMER

8

7

6

5



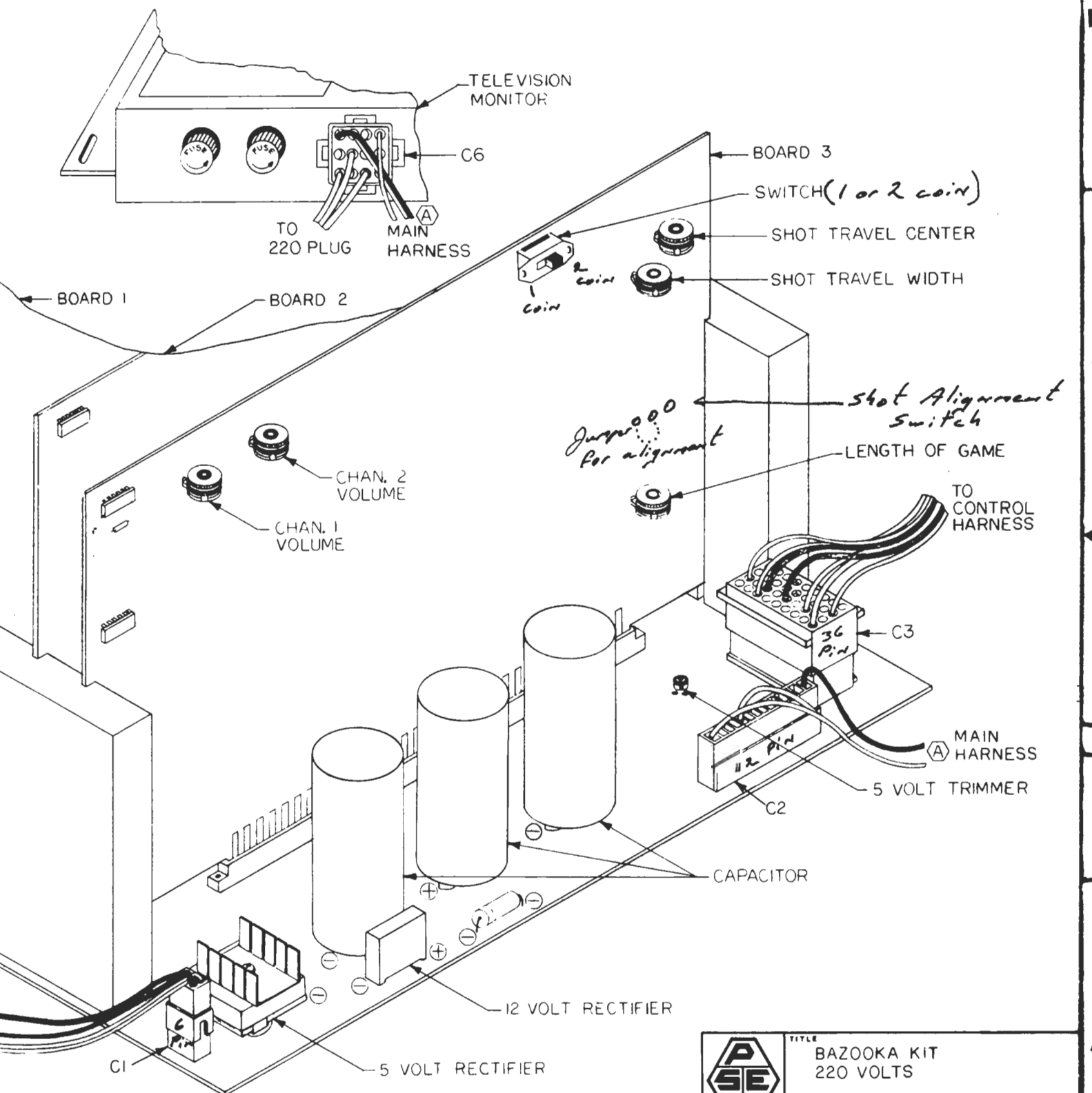
4

3

2

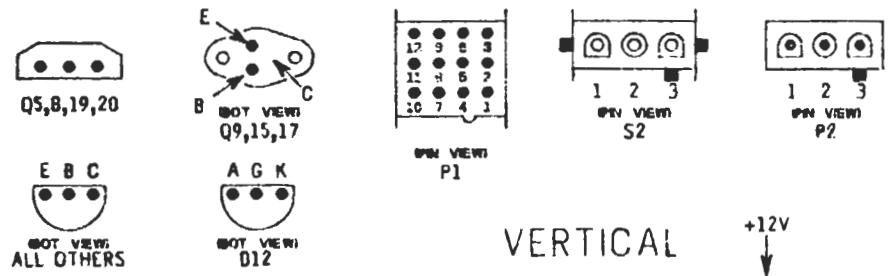
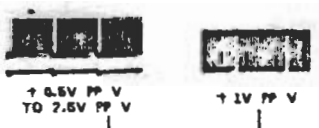
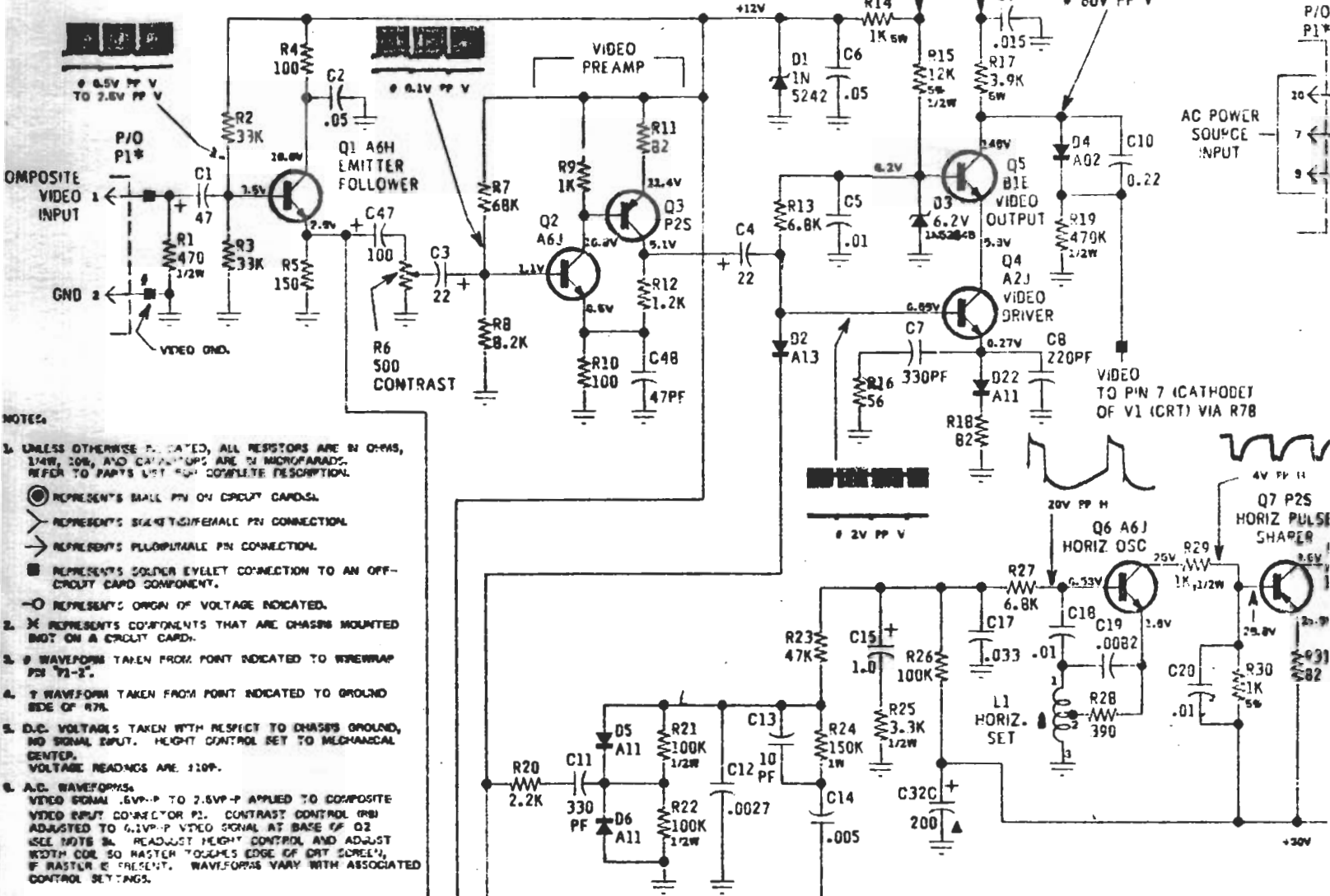
1

REVISIONS			
ISSUE	DESCRIPTION	DATE	APPROVAL

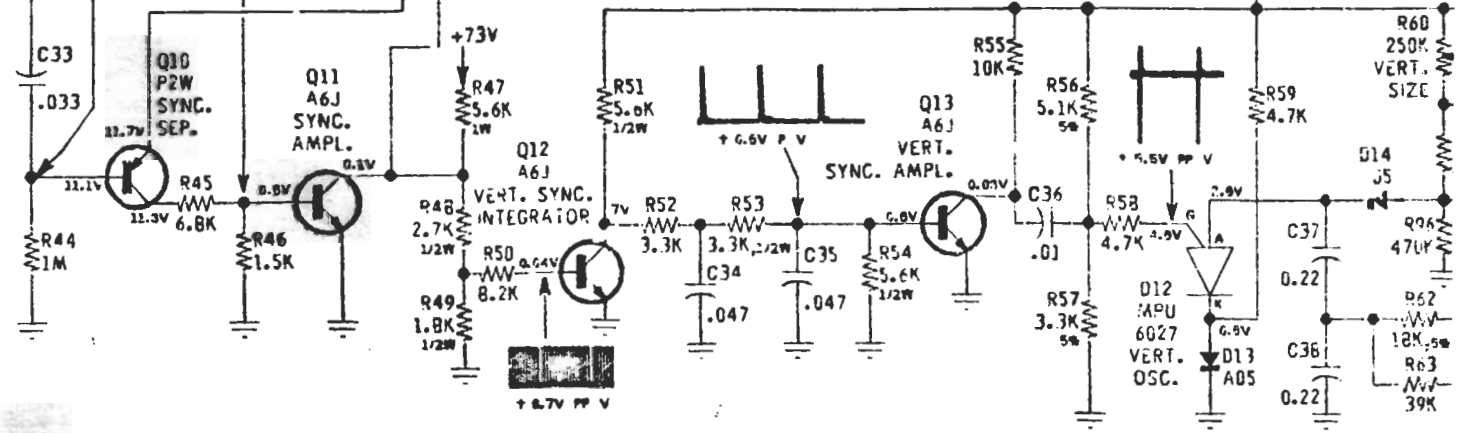


	TITLE BAZOOKA KIT 220 VOLTS	
	PROJECT SUPPORT ENGINEERING 750 NORTH BARY AVENUE SUNNYVALE, CALIFORNIA 94086 PHONE (408) 738-8850	TOP ASSY. NEXT ASSY.
DRAWING NO.	SCALE 1/1	INT. DATE 3/12/64 SH. 1 OF 1

VIDEO



VERTICAL



POWER SUPPLY

