

ALIENTM vs. PREDATORTM

ALIEN AND PREDATOR TM & © 1994
Twentieth Century Fox Film Corporation
All Rights Reserved.

© CAPCOM 1994

MANUAL

WARNING

This game is for use in the United States of America and Canada. Sales, export or operation outside of these countries may be construed as copyright and trademark infringements and is strictly prohibited. Violators are subject to severe penalties and will be prosecuted to the full extent of the law.

CAPCOM[®]

19-0016

WARNING

THIS GAME MUST BE GROUNDED. FAILURE TO DO SO MAY RESULT IN DESTRUCTION TO ELECTRONIC COMPONENTS.

WARNING: This equipment generates, uses and can radiate radio frequency energy and if not used in accordance with the instruction manual, may cause interference to radio communication. It has been tested and found to comply with the limits for a CLASS A computing device pursuant to SUBPART J and PART 15 of FCC RULES, which are designed to provide reasonable protection against such interference when operated in a commercial environment. Operation of this equipment in a residential area is likely to cause interference in which case the user at his won expense will be required to take whatever measures may be required to correct the interference.



"WINNERS DON'T USE DRUGS"

Louis Freeh, Director, FBI

• IN COOPERATION WITH THE AAMA AND FBI ANTI-DRUG CAMPAIGN •

CAPCOM

INVITES YOU TO USE

**OUR SERVICE NUMBER FOR
SERVICE INFORMATION CONCERNING THIS GAME, OR ANY
OTHER CAPCOM GAME YOU NOW HAVE ON LOCATION.
PLEASE HAVE GAME SERIAL NUMBERS AND CABINET NUMBERS READY.**

**CALL US FOR PROMPT, COURTEOUS
ANSWERS TO YOUR PROBLEMS.**

DIRECT NUMBER 1-800-833-0190

CAUTION

Please keep the following instructions to keep the PC board in good condition

- Do not block the ventilation slots.
- Do not drop or bump the board.
- Do not spill any liquids on the case.
- Do not disassemble the case.



Ni-cd

ATTENTION

The product that you have purchased contains a rechargeable battery. The battery is recyclable. At the end of its useful life, under various state and local laws, it may be illegal to dispose of this battery into the municipal waste system. Check with your local solid waste official for details in your area for recycling options or proper disposal.

DISASSEMBLING THE CASE OR REMOVING THE STICKER MAY CAUSE THE TERMINATION OF YOUR REPAIR WARRANTY.

PARTS LIST

There are two different kits available for Alien vs. Predator. The first kit below is the full kit which includes PCB, all necessary graphics, buttons, joysticks and a volume/test bracket. This kit is used for a cabinet that will be upgraded with the CPS II board for the first time. The second kit is called the "B" Kit. This kit is for any cabinet that already uses the CPS II board (Super Street Fighter II). This kit includes the "B" board and all necessary graphics. Just remove the top cartridge off the motherboard and replace with the new cartridge.

AP1000

Alien vs. Predator Kit

Part No.	Description	Qty.
03-0050	Momentary Switch Assembly	1
06-0066	Side Graphics	2
06-0074	Blue Marble Overlay	1
06-0077	Alien vs. Predator Instruction Label	1
06-0076	Alien vs. Predator Marque	1
16-0130	Player 1 Start Button	1
16-0131	Player 2 Start Button	1
16-0132	Player 3 Start Button	1
16-0133	Red Button	3
16-0134	Blue Button	3
16-0136	Green Button	3
19-0016	Alien vs. Predator Manual	1
AP1400	Alien vs. Predator PCB	1
GE1200	Monitor Card	1
GE2030	Joystick	3

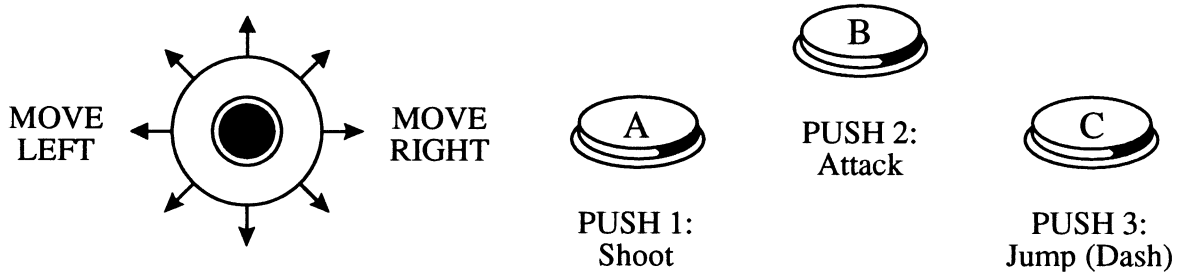
AP1000B

Alien vs. Predator B Kit

Part No.	Description	Qty.
06-0074	Blue Marble Overlay	1
06-0076	Alien vs. Predator Marque	1
06-0077	Alien vs. Predator Instruction Label	1
19-0016	Alien vs. Predator Manual	1
AP1400B	Alien vs. Predator "B" PCB	1

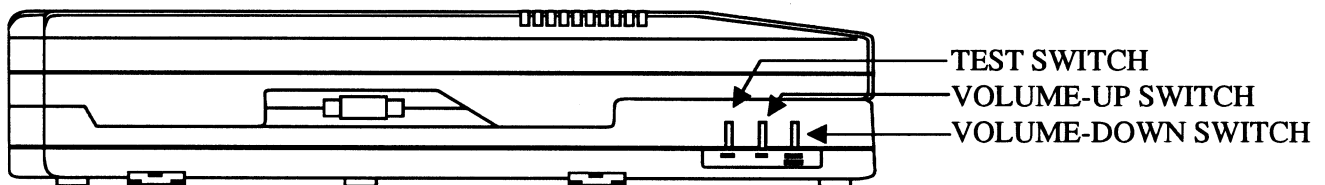
CONTROL LOCATIONS

1. SAMPLE CONTROL PANEL LAYOUT



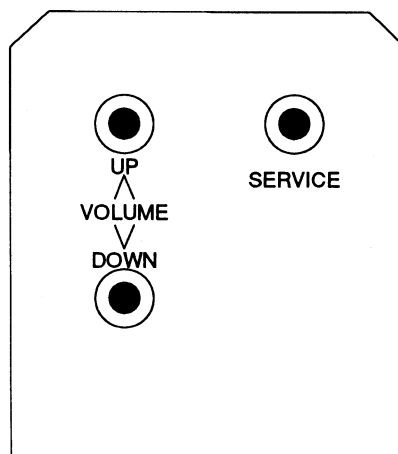
2. VOLUME AND TEST CONTROL SWITCHES ON BOARD

The volume of this unit can be adjusted by pressing the volume-up switch and the volume-down switch. **The setting you have selected will be stored even if the power is turned off.** In the event that the volume setting does not work properly, press down on either the volume-up or the volume down switch **for at least five seconds, then set the volume again.**



3. VOLUME AND TEST CONTROL BRACKET

To be mounted on top of the coin box.



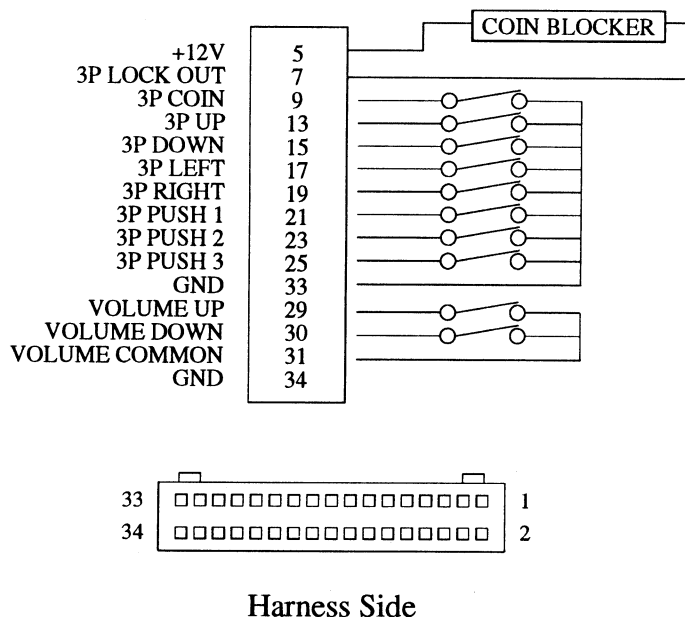
CONNECTORS

- **JAMMA:** JAMMA 56-pin connector
- **OPTION:** Player 3 Interface and Volume Control
- **AUDIO OUT:** Used only for CAPCOM QSOUND cabinet
- **REGISTER:** Optional I/O connector for register

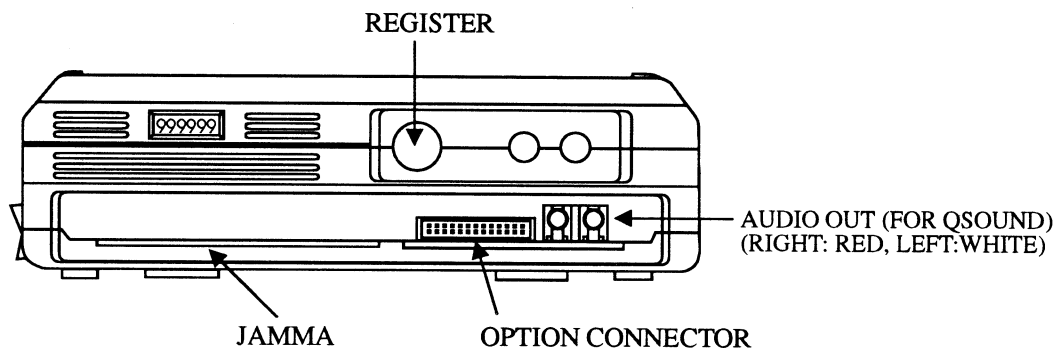
JAMMA CONNECTOR

SOLDER SIDE			COMPONENT SIDE
GND	A	1	GND
GND	B	2	GND
+5V	C	3	+5V
+5V	D	4	+5V
N.C.	E	5	N.C.
+12V	F	6	+12V
	H	7	
N.C.	J	8	COUNTER 1
LOCK OUT 2	K	9	LOCK OUT 1
SPEAKER (-)	L	10	SPEAKER (+)
N.C.	M	11	N.C.
VIDEO GREEN	N	12	VIDEO RED
VIDEO SYNC	P	13	VIDEO BLUE
FREE CREDIT	R	14	VIDEO GND
N.C.	S	15	DIAGNOSIS
2P COIN	T	16	1P COIN
2P START	U	17	1P START
2P UP	V	18	1P UP
2P DOWN	W	19	1P DOWN
2P LEFT	X	20	1P LEFT
2P RIGHT	Y	21	1P RIGHT
2P PUSH 1	Z	22	1P PUSH 1
2P PUSH 2	a	23	1P PUSH 2
2P PUSH 3	b	24	1P PUSH 3
N.C.	c	25	N.C.
N.C.	d	26	N.C.
GND	e	27	GND
GND	f	28	GND

OPTION CONNECTOR



CONNECTOR LOCATIONS

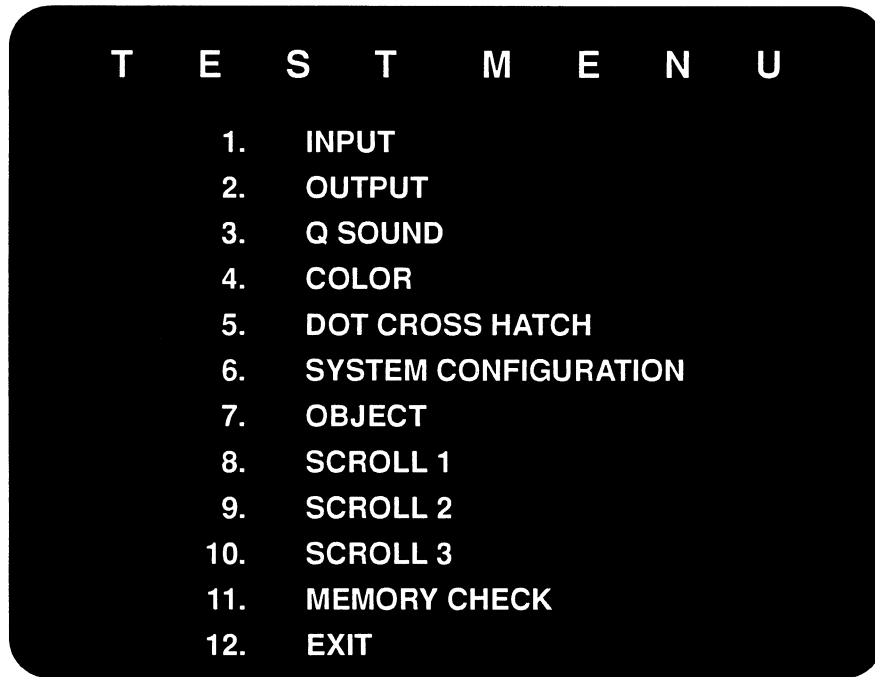


TEST MENU

The test menu allows you to test the functions and controls of the game. These items include input devices such as joysticks, buttons and coin mechs, output devices such as monitor, speakers and meters. Through the Test Menu you can also access the Configuration Menu, where you can change the settings of the game.

1. ACCESSING THE TEST MENU

- **For a CAPCOM cabinet, or a cabinet equipped with a test switch:**
Turn on the main switch, then push the test switch. The screen shown below will appear.
- **For a cabinet without a test switch:**
Push the test switch on the side of the blue plastic electronic casing. Refer to the Controls Section of the manual.



2. HOW TO SELECT AN ITEM

- Use the Player 1 Joystick to highlight the desired item and press the Player 1 A (Shoot) button.
- To return to the test menu, push the Player 1 Start and Player 2 Start Buttons simultaneously.
The test menu automatically appears:
 - After you exit the "**6. CONFIGURATION MENU**".
 - After the memory is tested on the menu of "**11. MEMORY CHECK**".

3. CLOSING THE TEST MENU

To close the Test Menu, highlight "11. EXIT" and push the Player 1 Shoot Button.

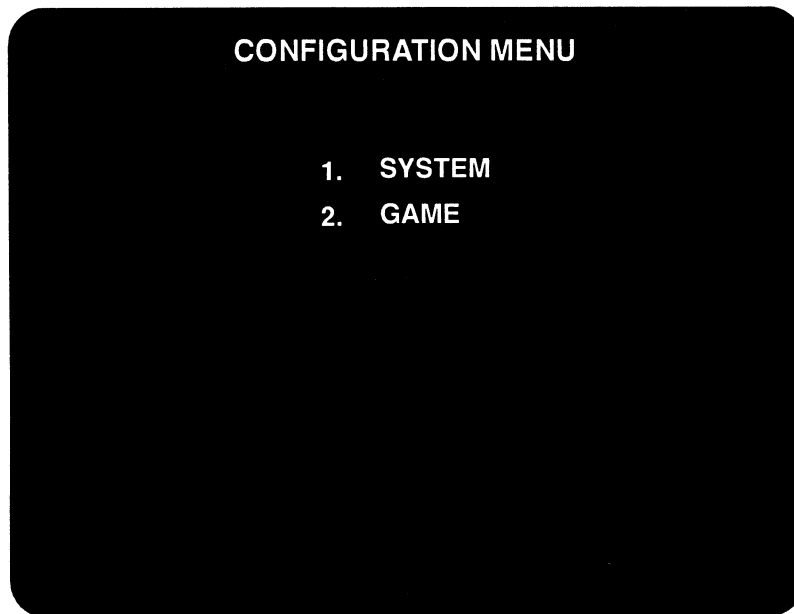
4. TEST MENU ITEM DESCRIPTIONS

INPUT	Used to test all the input switches. "1" appears when the switches are depressed.
OUTPUT	Check connections and switches in case "0" appears when switches are depressed.
QSOUND	Select a code of SOUND or VOICE with the Player 1 Joystick. Push the Player 1 A (Shoot) button to hear the sound of the selected code, then adjust the volume.
COLOR	Shows color bars of red, green, blue and white. Adjust RGB and brightness to obtain the optimum color balance and solid black background.
DOT CROSS HATCH	Used to test the screen size, focus and distortion.
CONFIGURATION	Used to change the game play settings. Refer to the CONFIGURATION MENU section.
7, 8, 9, 10	Used to check all the characters of the game.
MEMORY TEST	Used to test memory. "OK" appears when each block of memory passes test "ERROR" appears in case of malfunction. If "ERROR" appear, repeat the memory test. Contact your distributor if "ERROR" still appears.
EXIT	Select this item and push the Player 1 A (Shoot) button to return to game play mode.

CONFIGURATION MENU

1. TO OPEN THE MENU

- From the Test Menu, highlight "**6. CONFIGURATION MENU**" and push the Player 1 A (Shoot) button. The screen below will be displayed. **SYSTEM** allows you to change system settings such as credit value and demo sound. **GAME** allows you to change game settings such as difficulty and number of players.



2. CHANGING THE CONFIGURATION SETTINGS

- Move the Player 1 Joystick UP or DOWN to highlight the desired option. Once the option is highlighted, move the Joystick LEFT or RIGHT to change the setting. Refer to menus on the next 2 pages for option settings.

3. SAVING SETTINGS AND CLOSING THE MENU

- Once the configuration settings are changed from either the **SYSTEM** or **GAME MENUS**, highlight "**EXIT**" and push the Player 1 A (Shoot) button.
- To save the settings press the Player 1 and Player 2 Start buttons simultaneously at the **CONFIGURATION MENU**. A message "**NOW SAVING NEW CONFIGURATION**" appears while new settings are being saved. It takes one or two seconds to save the new settings. **Do not turn off the power switch while saving is in process.**

4. SYSTEM CONFIGURATION MENU



COIN	1 COIN 1 CREDIT	1 COIN 2 CREDITS	1 COIN 3 CREDITS	1 COIN 4 CREDITS	1 COIN 6 CREDITS
	2 COINS 1 CREDIT	3 COINS 1 CREDIT	4 COINS 1 CREDIT	2 COINS START 1 COIN CONTINUE	FREE PLAY
CONTINUE	ON			OFF	
MONITOR FLIP	ON			OFF	
DEMO SOUND	ON			OFF	
SOUND	STEREO (Q SOUND)			MONAURAL	
PLAYERS	3 PLAYERS 3 SHOOTERS		3 PLAYERS 1 SHOOTER	2 PLAYERS 1 SHOOTER	

- Factory settings are in bold face.
- After you change the setting, make sure to select "EXIT" and push the Player 1 Start button.
- Choose **STEREO (QSOUND)** if your cabinet is equipped with the Qsound Speaker System, otherwise select **MONAURAL** for proper sound effect.

5. GAME CONFIGURATION MENU



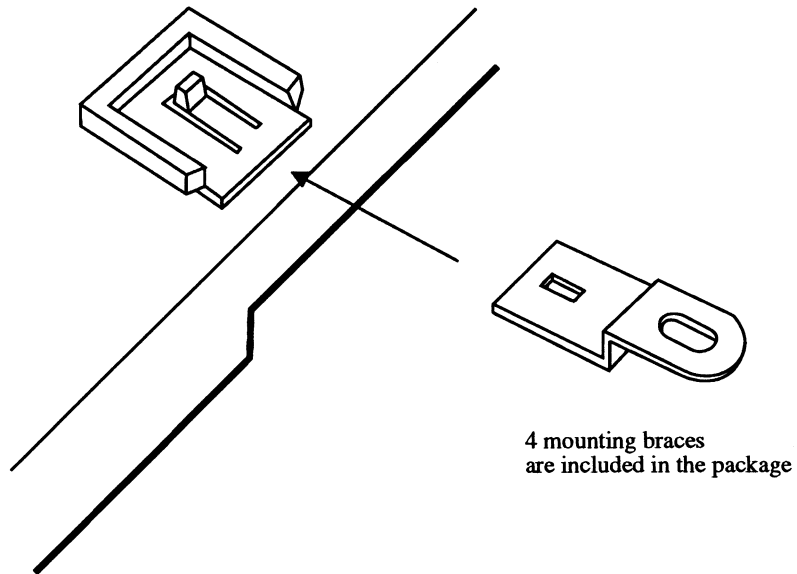
GAME DIFFICULTY	LEVEL 1 EASIEST	LEVEL 2 VERY EASY	LEVEL 3 EASY	LEVEL 4 MEDIUM
	LEVEL 5 MEDIUM HARD	LEVEL 6 HARD	LEVEL 7 VERY HARD	LEVEL 8 HARDEST
EXTEND	NO EXTENSION	100000 ONLY	400000 ONLY	1000000 ONLY
	FIRST 100000 EVERY 400000	FIRST 400000 EVERY 500000	FIRST 800000 EVERY 600000	FIRST 1200000 EVERY 1000000
PLAYERS	START = 1 CONTINUE = 1	START = 2 CONTINUE = 2	START = 3 CONTINUE = 3	START = 5 CONTINUE = 5
	START = 1 CONTINUE = 2	START = 2 CONTINUE = 3	START = 3 CONTINUE = 4	START = 5 CONTINUE = 6

6. CONFIGURATION ITEM DESCRIPTIONS

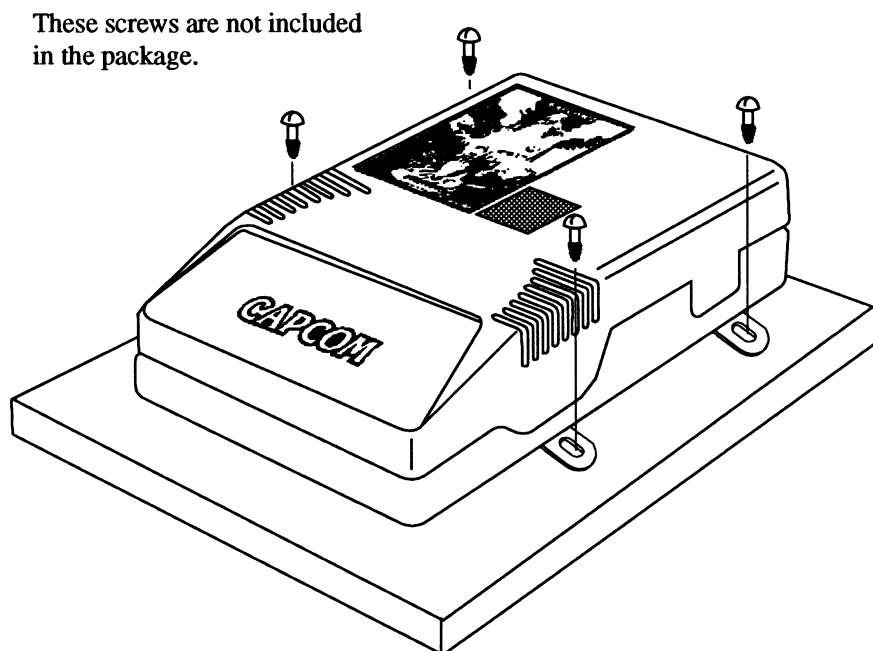
COIN	Sets the charge per play
CONTINUE	Allows a player to continue playing after he loses. Extra money will need to be added to continue. ON: Continuous play is possible OFF: Continuous play is not possible
MONITOR FLIP	Flips the screen. If the screen appears upside down, change the setting. ON: Upside down OFF: Right side up
DEMO SOUND	Turns attract sound on or off.
SOUND	STEREO or MONAURAL. STEREO: with QSOUND MONAURAL: without QSOUND QSOUND is available with CAPCOM QSOUND cabinets only. For other cabinet, please set to MONAURAL
PLAYER MODE	Sets the number of players and coin shooters.
GAME DIFFICULTY	The higher the number, the more difficult the game play.
EXTEND	Extra player setting. <ul style="list-style-type: none"> • ONLY MODE: Extra player given only once during game. • EVERY MODE: Extra player given whenever stated number of points are earned.
NUMBER OF PLAYERS	Number of lives.
FACTORY SETTING	To return to the factory default settings, select this item and push the PLAYER 1 START button.
EXIT	To save the setting changes and return to the TEST MENU , highlight this item and push the PLAYER 1 START button.

MOUNTING THE PC BOARD

1. INSTALLING THE MOUNTING BRACES



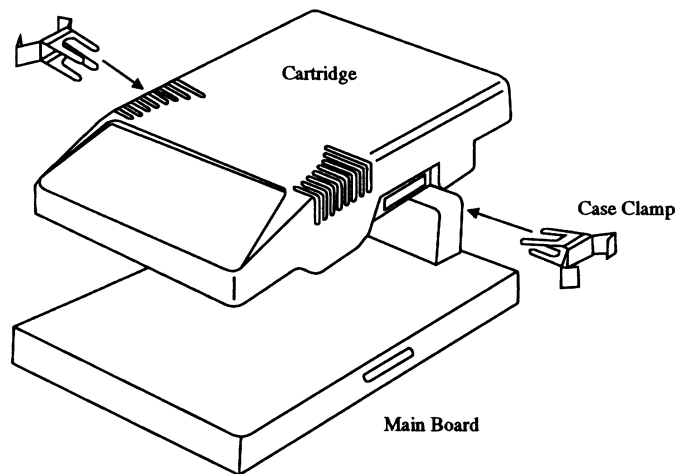
2. MOUNTING THE PCB



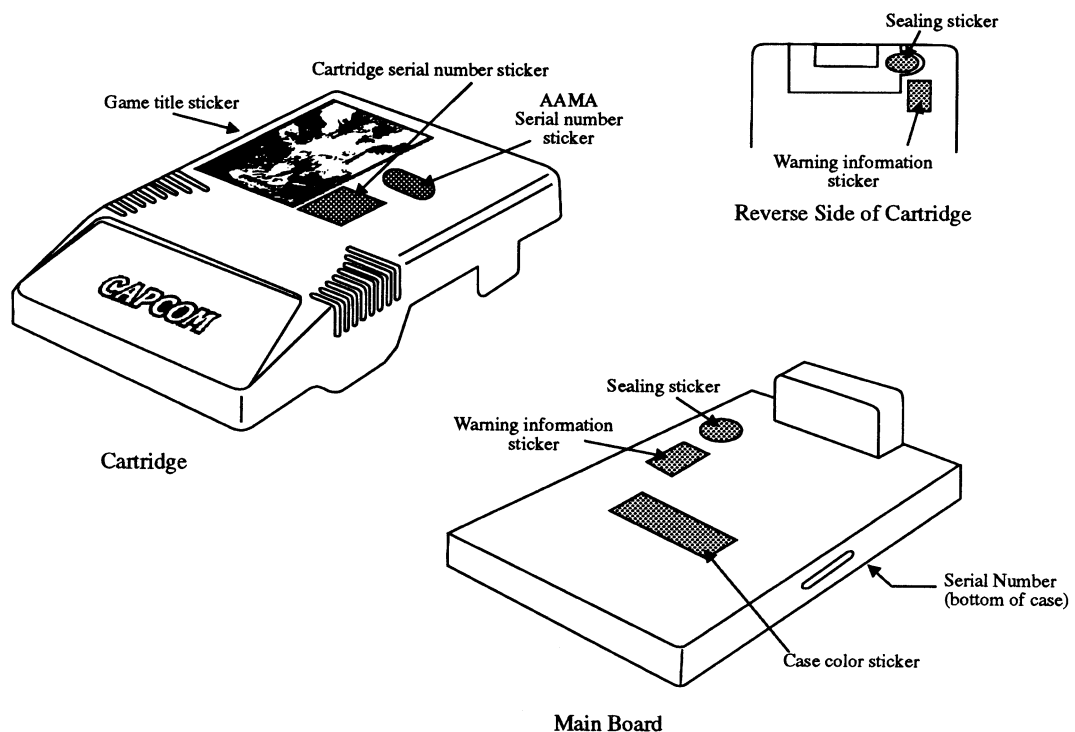
HOW TO REMOVE THE TOP "B" CARTRIDGE

In the future, there will be the capability to remove the top "B" cartridge so that a game can be converted to a new game or upgraded to a different version. It is very important only to separate the top cartridge from the main board only. **Dissassembling either case will void your warranty.** Follow the instructions below to separate the two assemblies.

- Remove the 2 case clamps.
- Carefully pull the the "B" cartridge off the bottom cartridge.



STICKER DESCRIPTIONS



Disassembling the case or removing the sealing stickers will void your warranty!

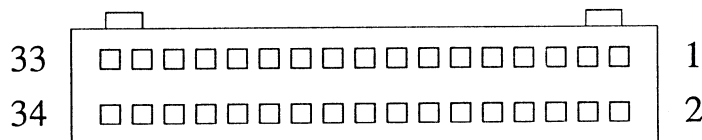
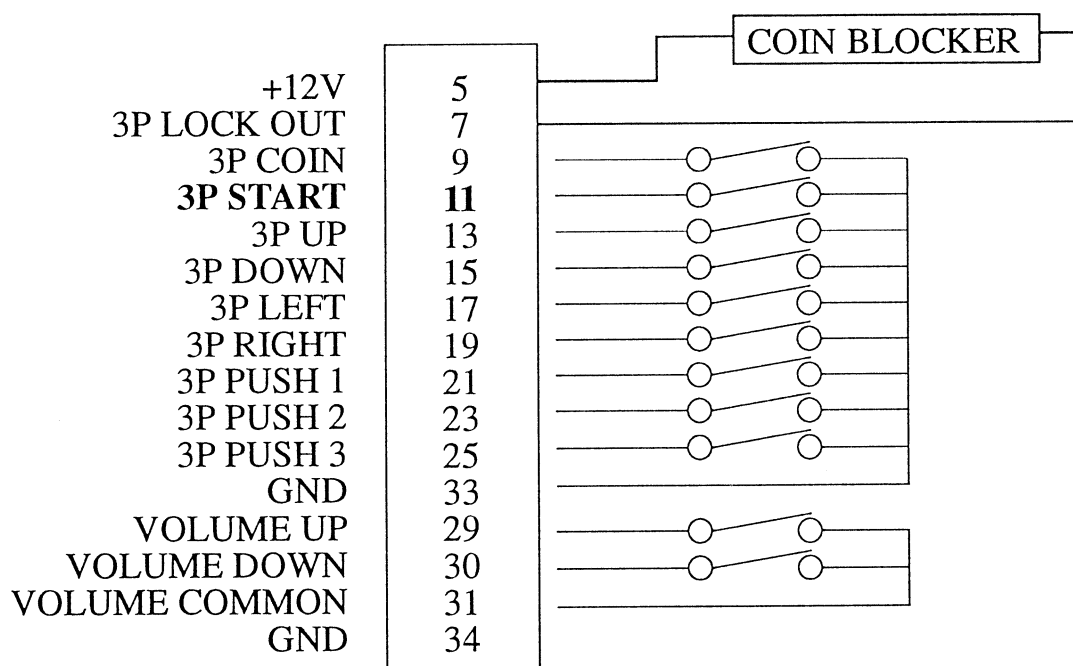
CAPCOM®

535 Oakmead Parkway
Sunnyvale, CA 94086

ADENDUM

There is an error on page 5 of the Alien vs. Predator manual. The connection for the Player 3 Start button on the option connector was omitted. The **Player 3 Start** button is **pin 11** of the option connector. The proper option connector diagram is shown below.

OPTION CONNECTOR



Harness Side