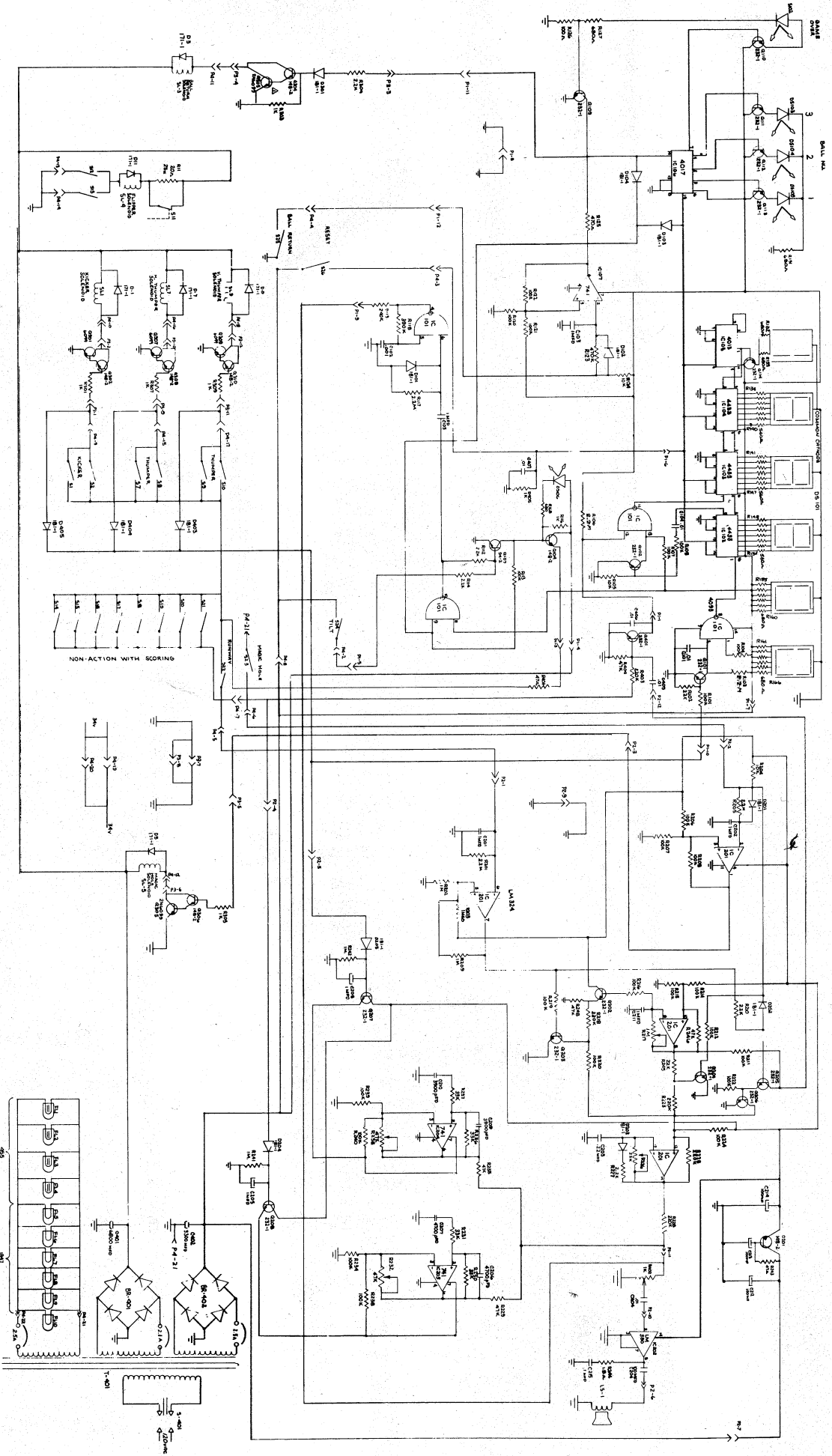


# SECTION V: ELECTRICAL WIRING DIAGRAM



NOTE: all grounds are common grounds.

