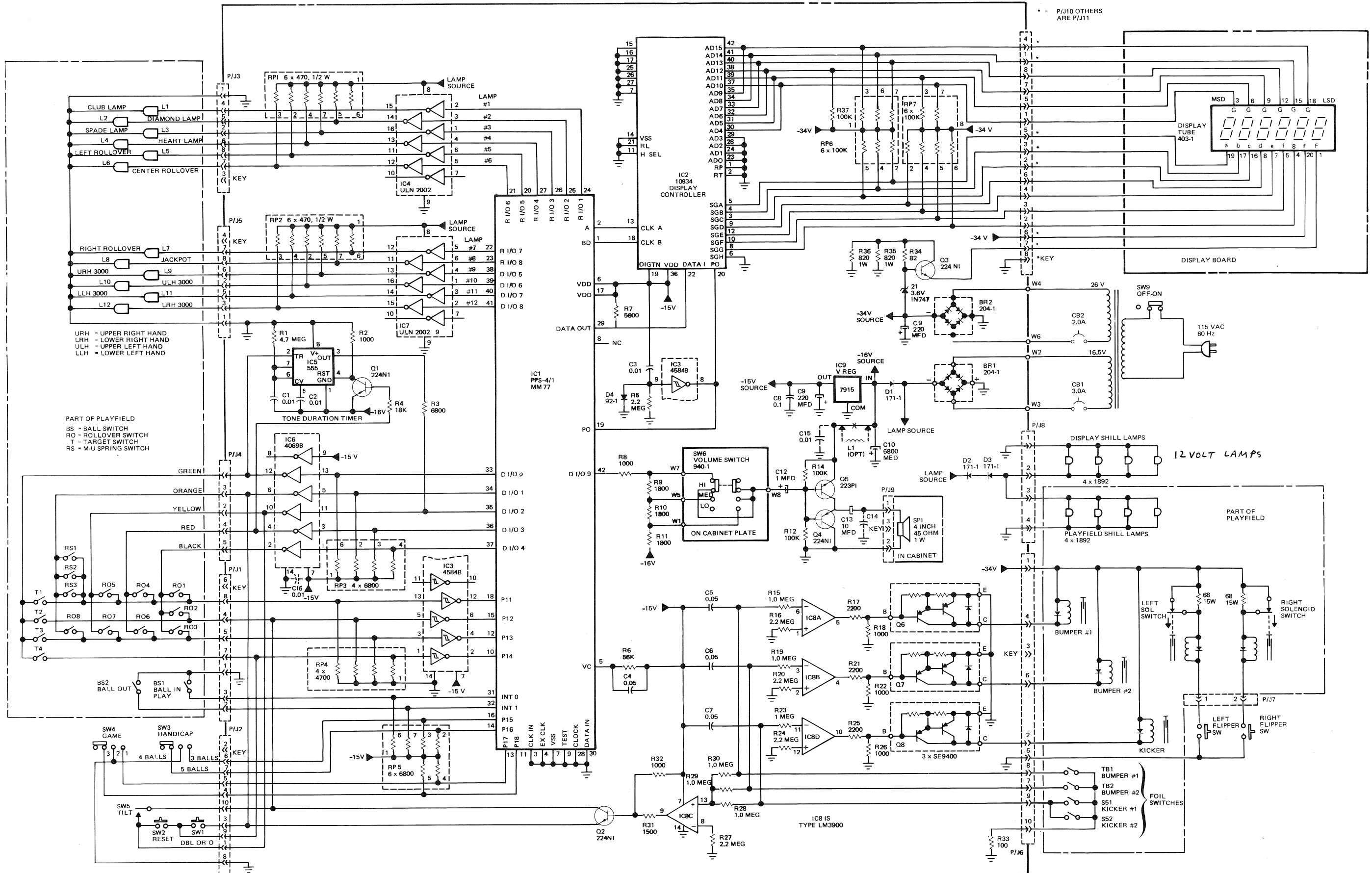


# XIV. LAS VEGAS PINBALL™ GAME SCHEMATIC



URH = UPPER RIGHT HAND  
LRH = LOWER RIGHT HAND  
ULH = UPPER LEFT HAND  
LLH = LOWER LEFT HAND

PART OF PLAYFIELD  
BS = BALL SWITCH  
RO = ROLLOVER SWITCH  
T = TARGET SWITCH  
RS = M-J SPRING SWITCH

\* P/J10 OTHERS ARE P/J11

12 VOLT LAMPS

PART OF PLAYFIELD