

K8000

I. OVERVIEW-SPECIFICATIONS

- a) K8000 Specifications
- b) Applications

II. CIRCUITS

- a) Power Supply and Auto Degauss
- b) Sync and Horizontal AFC
- c) Horizontal Output, HV, Beam Limit, and HV Shut Down
- d) Vertical Sweep and Outout
- e) Video Processor
- f) Video Output, CRT
- g) Remote control board

III. OPTIONS

- a) NTSC Decoder
- b) .75 volt Video
- c) VGA

THE PRISMATIC™ SERIES

CRT

- From 13" to 31" diagonal measure
- P22 Phosphor
- Polished faceplate standard: variety of optional faceplates and transmittances available.
- Stripe trio spacing (standard): 0.82 mm (25"), 0.84 mm (19").
- Optional finer pitch available (19") 0.72 mm.

INPUT SIGNALS

- Video: RGB analog, .7V peak to peak, 75 Ohms input impedance.

OPTIONAL INPUTS AVAILABLE

- RGB analog .7V to 5V peak to peak 75 Ohms or high input impedance (4.7K Ohms).
- Sync: TTL positive or negative, going, or composite sync. Input impedance: 4.7K Ohms.

HORIZONTAL SCAN

- Frequency: Available in scan frequencies from 15 kHz to 31 kHz.
- Linearity: $\pm 5\%$

LIGHT OUTPUT

- 35fl (typical with 25" CRT, 50% glass transmittance).

PICTURE SIZE REGULATION

- 2%

VERTICAL SCAN

- Frequency: 47 Hz to 63 Hz (other frequencies available)
- Linearity: $\pm 5\%$

COLOR SPECIFICATIONS K8000

GEOMETRIC DISTORTION

- $\pm 2\%$ max.

VIDEO CHARACTERISTICS

- Bandwidth (-3 dB): 25 MHz typical
- Rise Time: Less than 15 nanoseconds
- Overshoot (typical): 10%

MECHANICAL

- The monitor is also available in universal mount brackets. The monitor can be mounted in a horizontal or vertical configuration. Custom frames can be furnished.
- Contact your sales representative for details.

USER ADJUSTABLE CONTROLS AND ADJUSTMENTS

- Brightness, Contrast, Horizontal Hold, Horizontal Size, Horizontal Raster Position, Focus. Custom Control Location available. Vertical Size, Vertical Linearity, Vertical Hold. Vertical and Horizontal video position.

POWER INPUT

- 120 VAC $+10\%$ - 15% , 50-60 Hz, 165W (max). Special isolation transformer required: furnished with monitor.

ENVIRONMENTAL CONDITIONS

- Operating temperature 0° to 55°C. Complies with U.L., C.S.A., and D.H.H.S. radiation performance standard.

RESOLUTION

- 25" 560 Pixels x 240 Lines (15.7 kHz)
- 25" 640 Pixels x 400 Lines (25 kHz)
- 19" 540 Pixels x 400 Lines (25 kHz)

Block and Connection Diagram

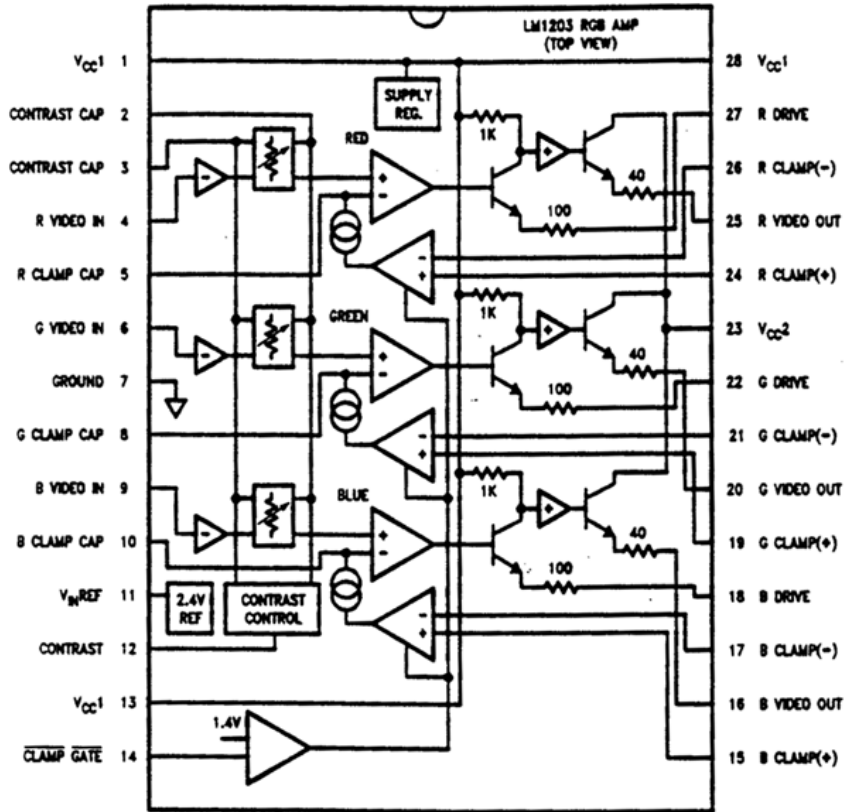
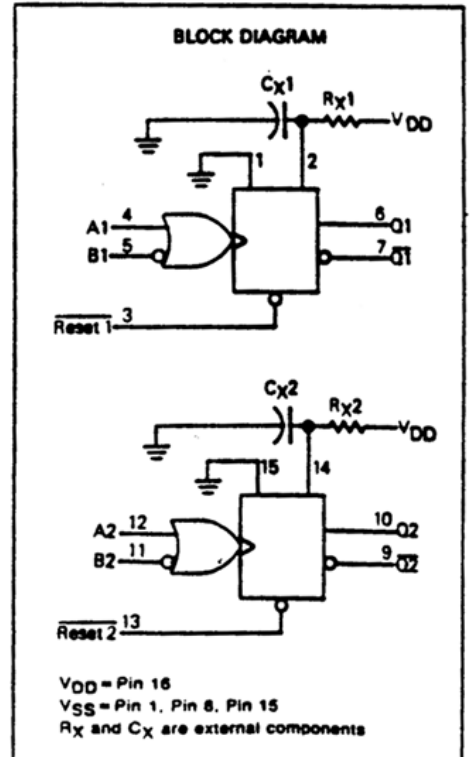
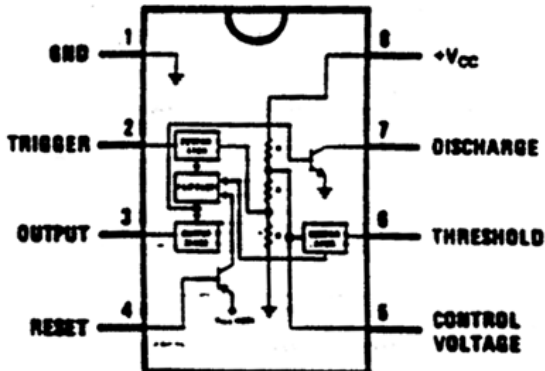
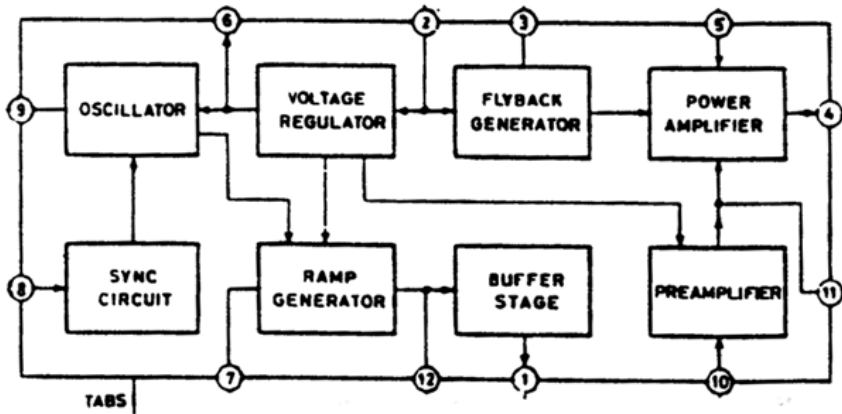
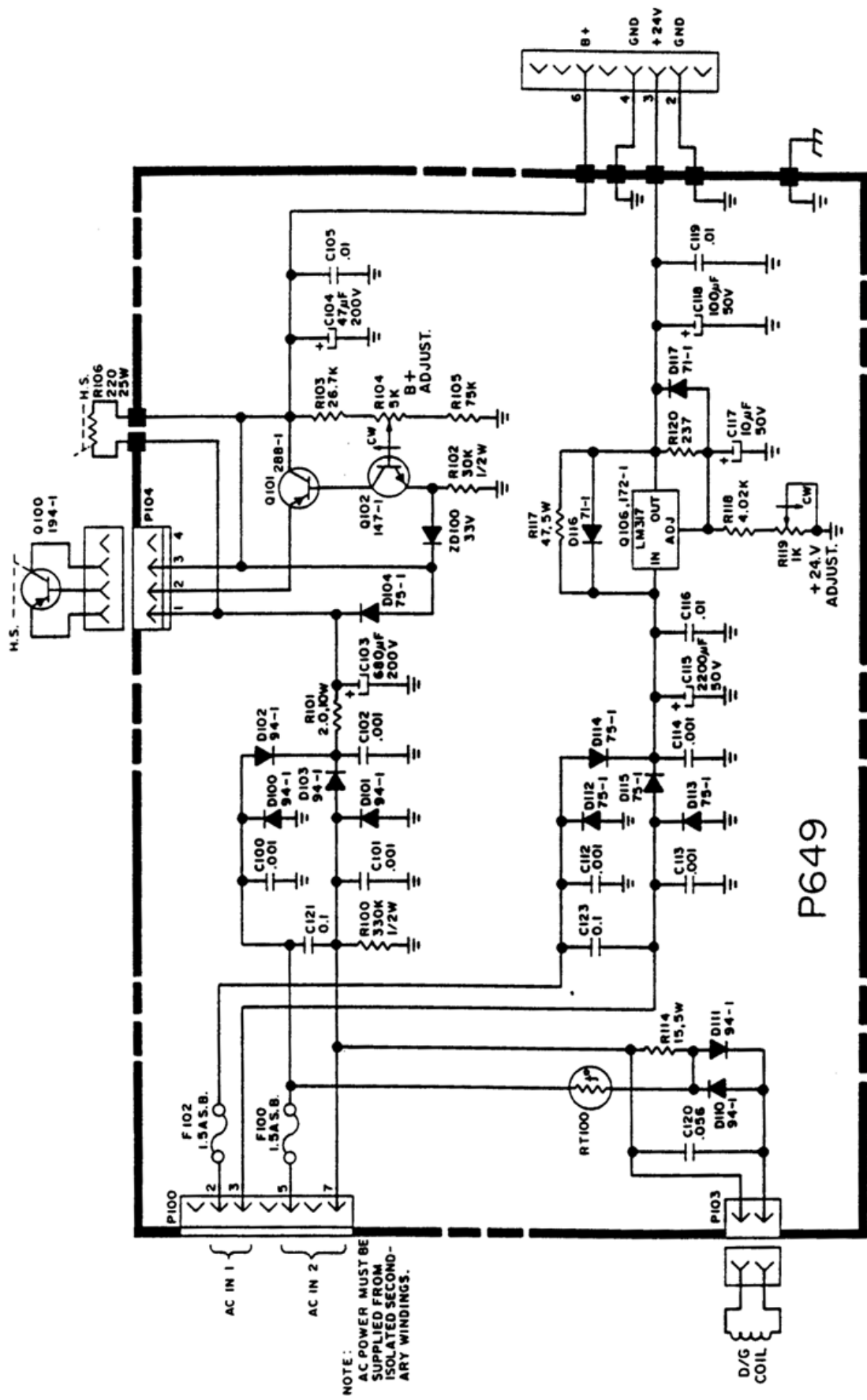


FIGURE 1
 Order Number LM1203N
 See NS Package Number N28B

TL74/0178-1





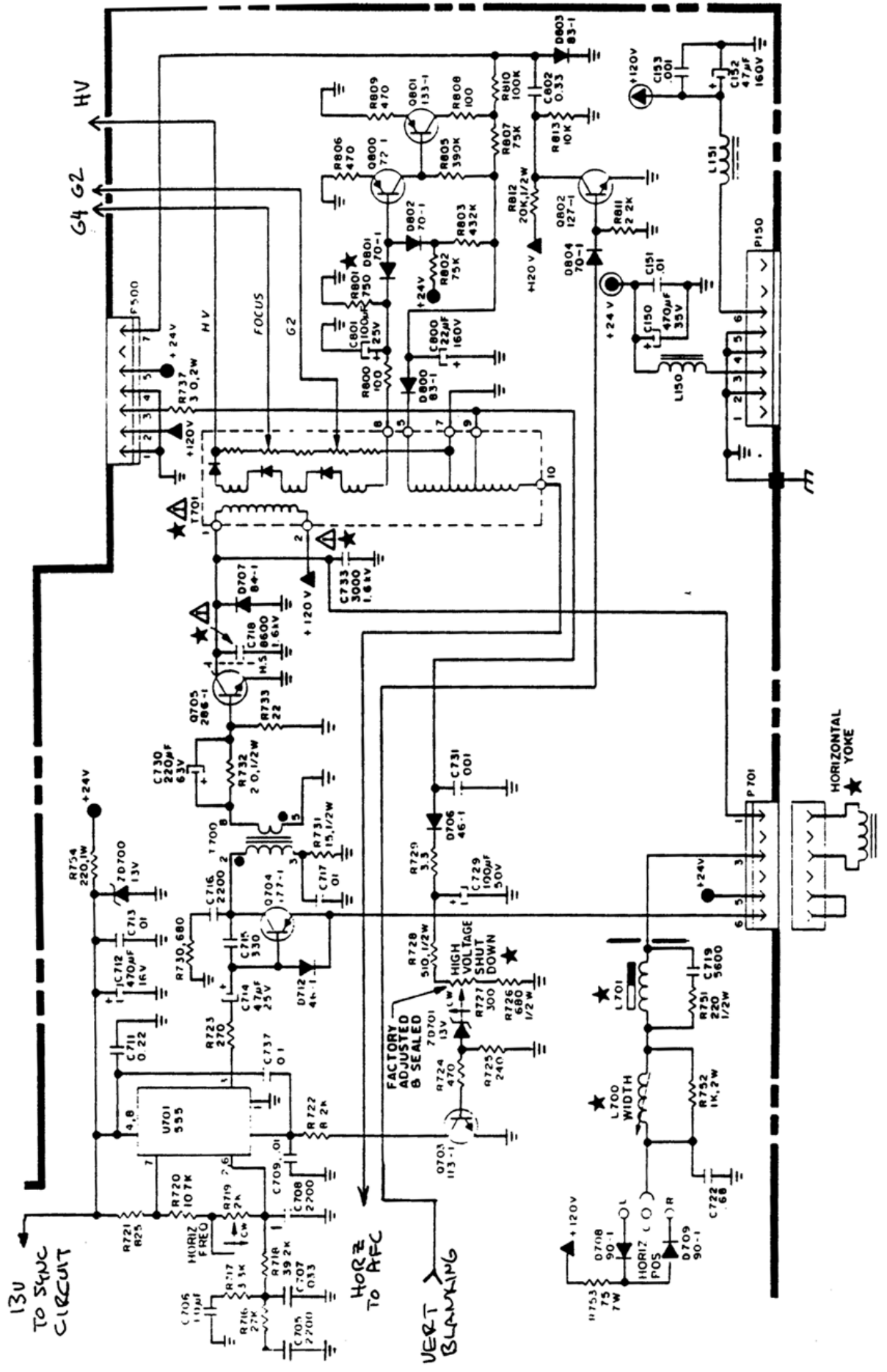
NOTE:
AC POWER MUST BE
SUPPLIED FROM
ISOLATED SECOND-
ARY WINDINGS.

- NOTES:
1. ALL RESISTORS ARE 1/4W, 5% UNLESS OTHERWISE SPECIFIED.
 2. CAPACITANCE VALUES LESS THAN 1 IN MICROFARADS, ABOVE 1 IN PICOFARADS UNLESS OTHERWISE SPECIFIED.

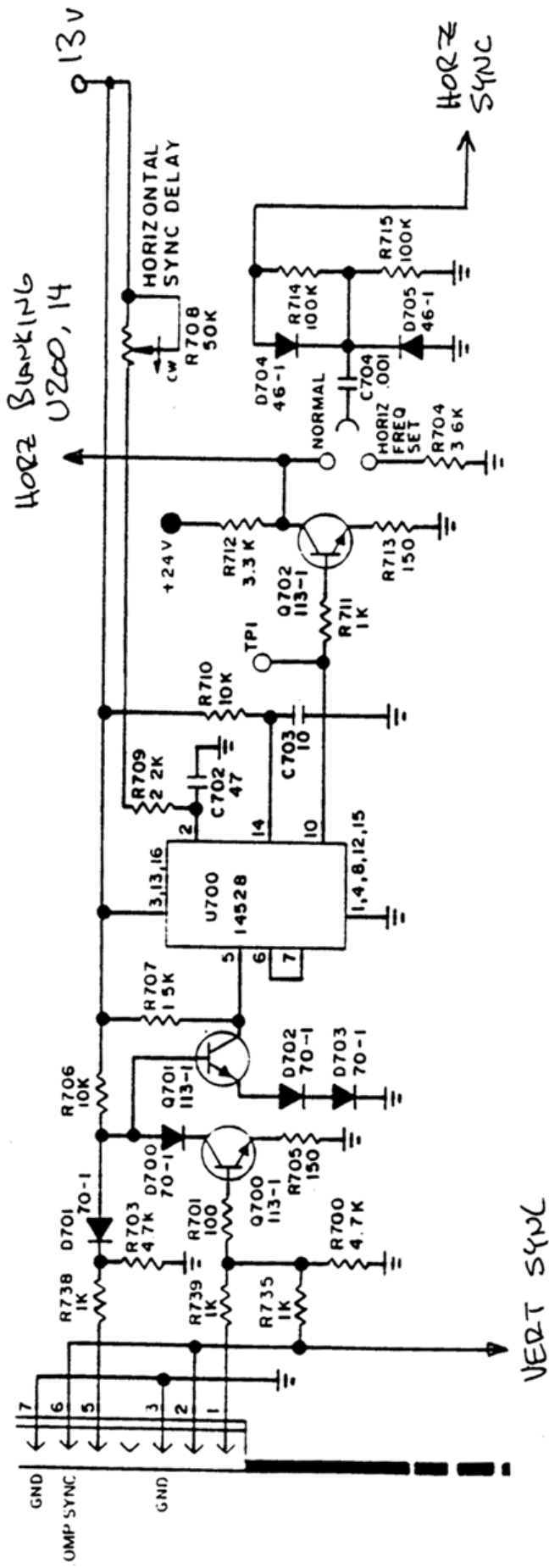
P649

POWER SUPPLY, AUTO DEGAUSS

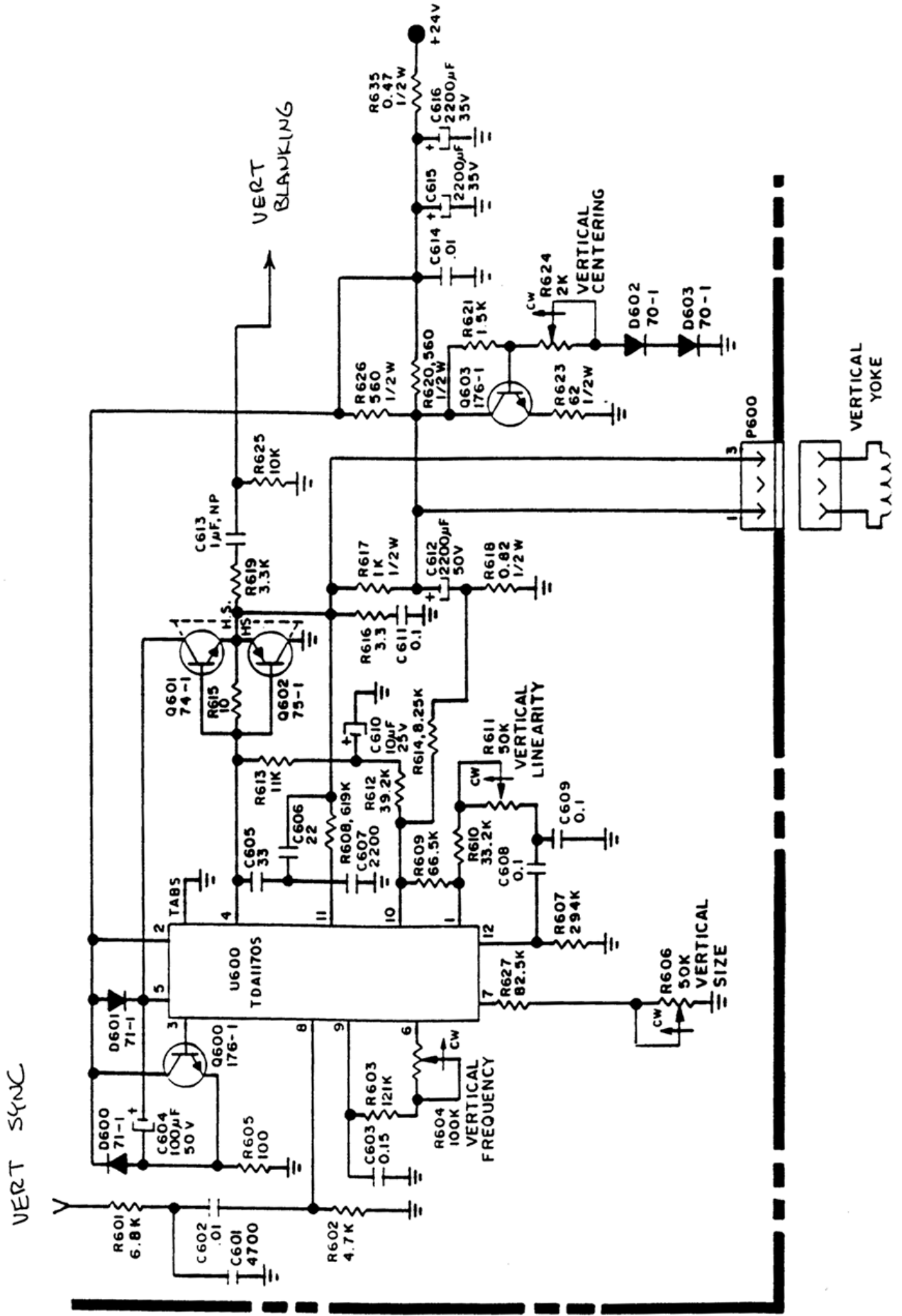
HORZ OUT, HV, HV SHUTDOWN, BEAM LIMITER



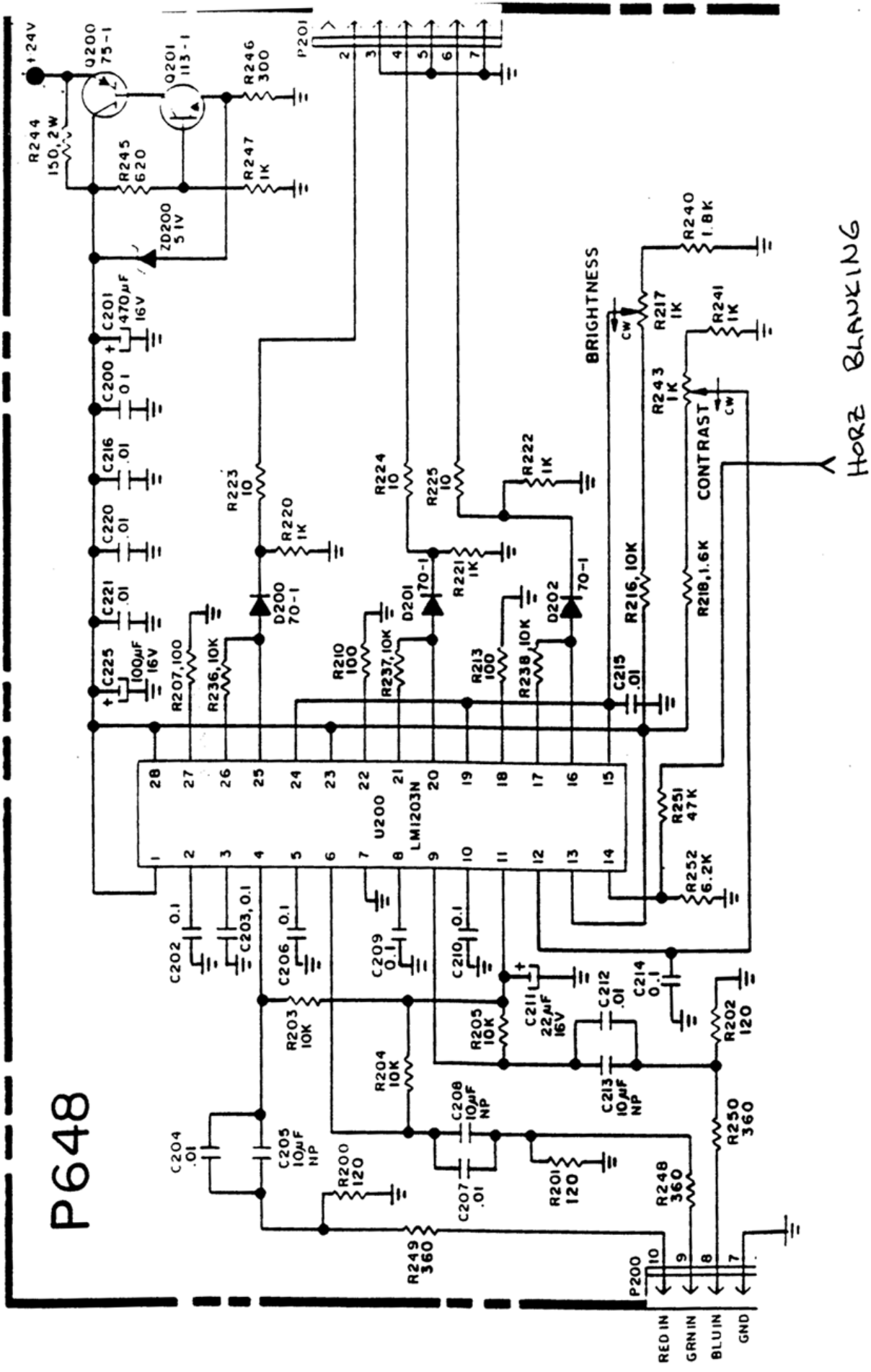
SYNC, HORZ AFC



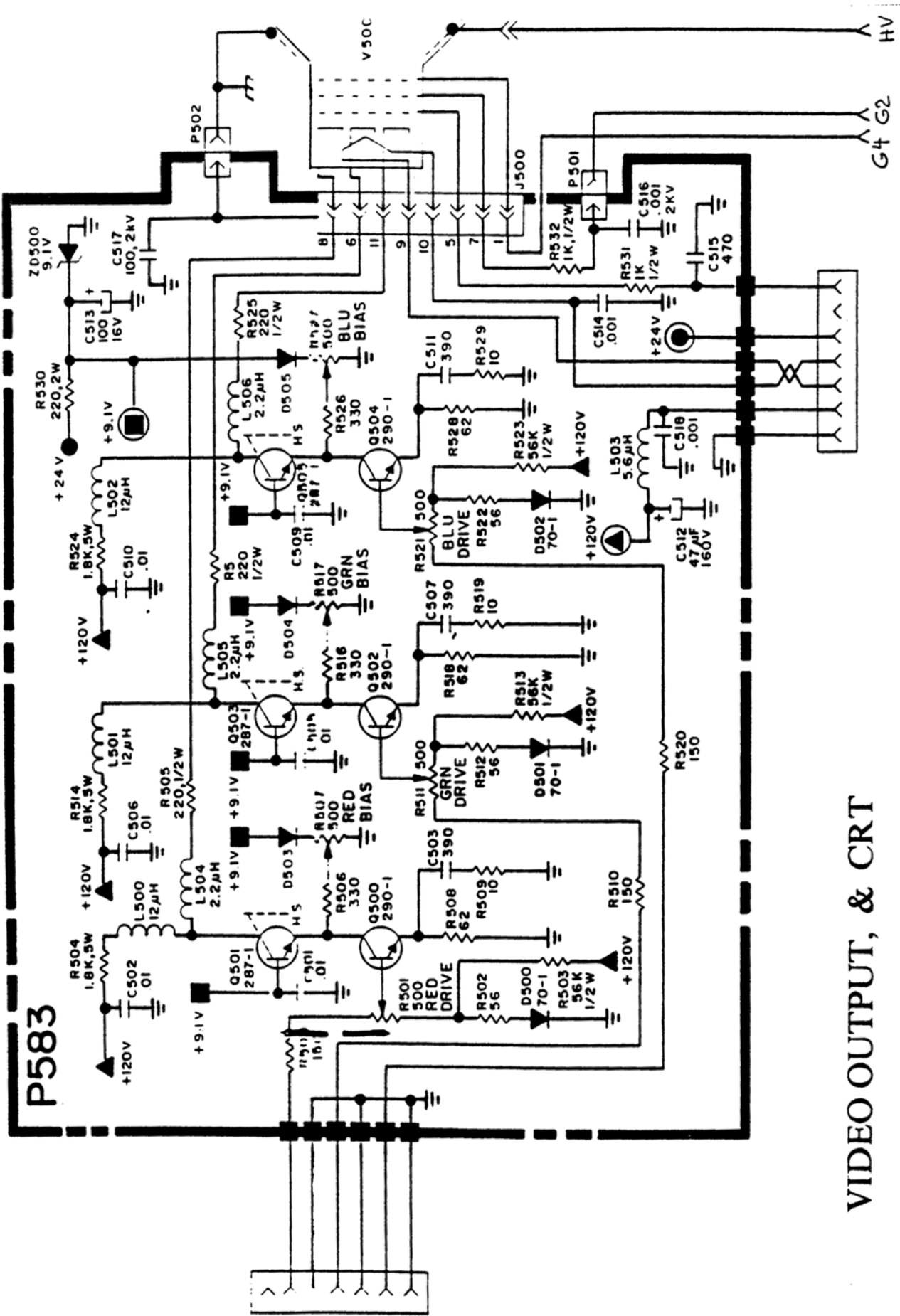
VERTICAL SWEEP & OUTPUT



P648

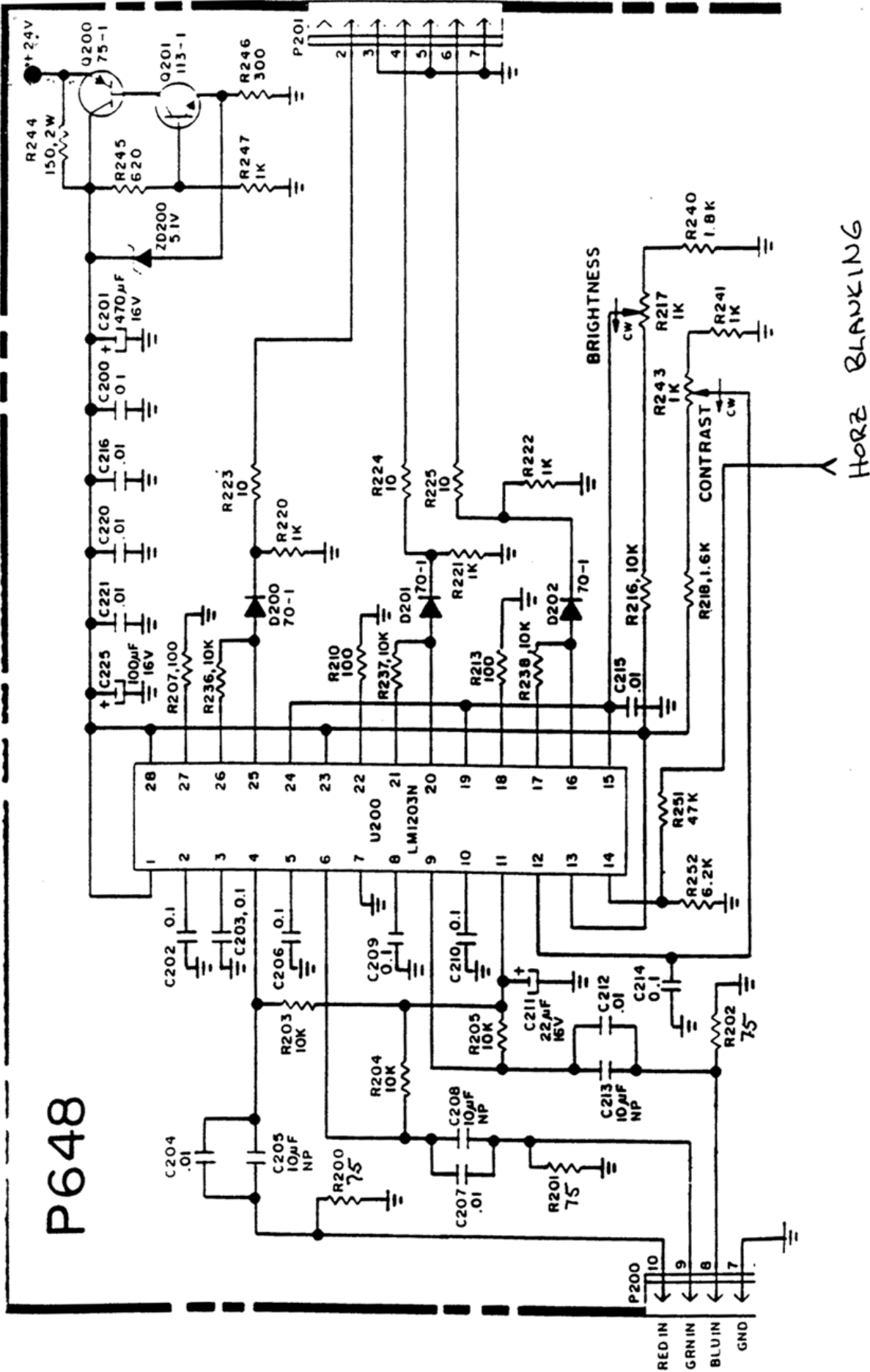


VIDEO PROCESSOR



VIDEO OUTPUT, & CRT

P648



VIDEO PROCESSOR (.7 volt, 75 ohm)

