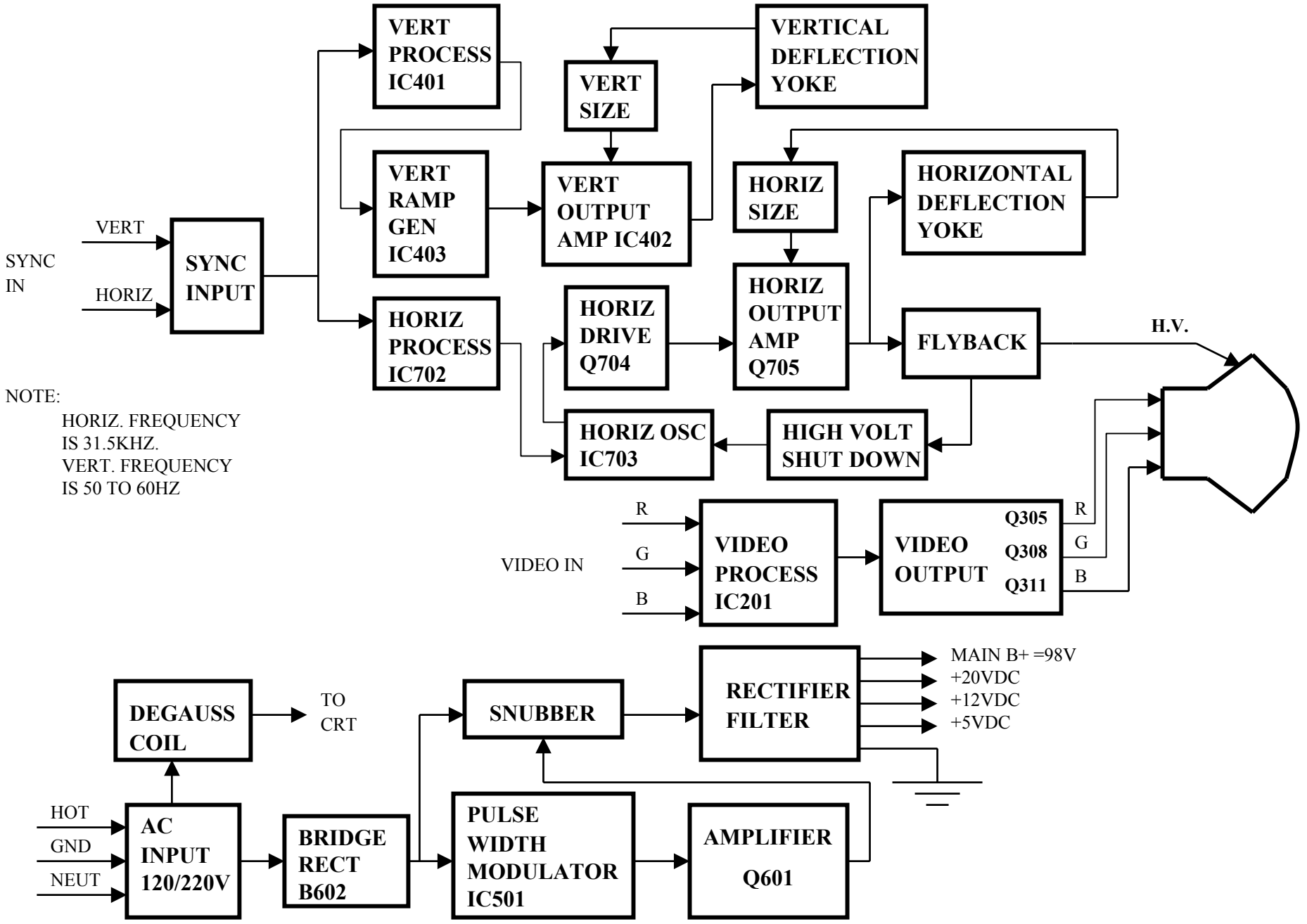


U3100 MONITOR



NOTE:
 HORIZ. FREQUENCY IS 31.5KHZ.
 VERT. FREQUENCY IS 50 TO 60HZ