

INTERFACE BOARD (P308)

(MODEL 13K4713)

Ref. No.	Part No.	Description	Ref. No.	Part No.	Description
RESISTORS					
R201	340X3910-934	91 Ohm \pm 5% 1/2W Carbon	TR204	86X0066-001	Transistor (PNP) MPS-A70
R203	340X3102-934	1k Ohm \pm 5% 1/2W Carbon	TR205	86X0066-001	Transistor (PNP) MPS-A70
R204	340X2101-934	100 Ohm \pm 5% 1/4W Carbon	TR206	86X0066-001	Transistor (PNP) MPS-A70
R206	340X3331-944	330 Ohm \pm 10% 1/2W Carbon	TR207	86X0121-001	Transistor (NPN) MPS-A20
R208	340X2152-934	1.5k Ohm \pm 5% 1/4W Carbon	TR208	86X0121-001	Transistor (NPN) MPS-A20
R211	340X2471-934	470 Ohm \pm 5% 1/4W Carbon	TR209	86X0121-001	Transistor (NPN) MPS-A20
R212	340X2471-934	470 Ohm \pm 5% 1/4W Carbon	X201	66X0046-001	Diode, Silicon FDH-444
R213	340X2471-934	470 Ohm \pm 5% 1/4W Carbon	X202	66X0046-001	Diode, Silicon FDH-444
R214	340X2151-934	150 Ohm \pm 5% 1/4W Carbon	ZD201	66X0040-018	Diode, Zener 6.8V, 5%, 0.5W IN5235B
R215	340X2151-934	150 Ohm \pm 5% 1/4W Carbon	ZD202	66X0040-019	Diode, Zener 3.9V, 5%, 0.5W IN5228B
R216	340X2151-934	150 Ohm \pm 5% 1/4W Carbon			
R217	340X3183-944	18k Ohm \pm 5% 1/2W Carbon			
VR201	40X0590-017	1.5k Ohm, Black Level Control			
CAPACITORS					
C201	45X0524-038	1000 uF, 16V Electrolytic	J201	204X9300-958	Socket, 6 Pin
SEMICONDUCTORS					
TR201	86X0121-001	Transistor (NPN)	J202	204X9300-958	Socket, 6 Pin
TR202	86X0121-001	Transistor (NPN)	J203	206X5019-207	Socket, 4 Pin
SEMICONDUCTORS (CONT.)					
MISCELLANEOUS					
			P201	204X9601-195	Plug, 6 Pin
			P202	204X9601-195	Plug, 6 Pin
			P203	20X9600-845	Plug, 4 Pin
			P205	6A0393-006	Plug, 6 Pin

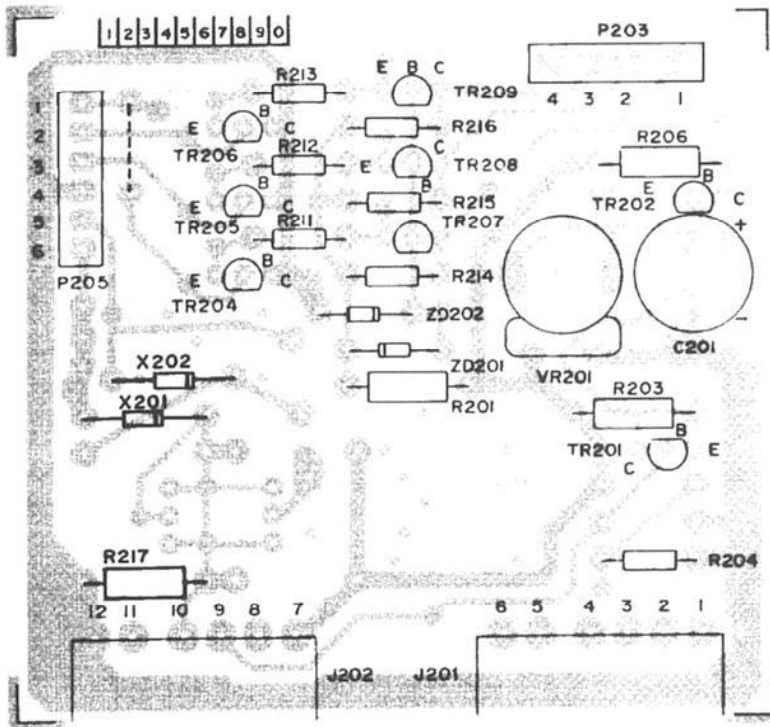


FIGURE 19. INTERFACE P.C. BOARD P308
MODEL 13K4713