

P.C. BOARD LAYOUT

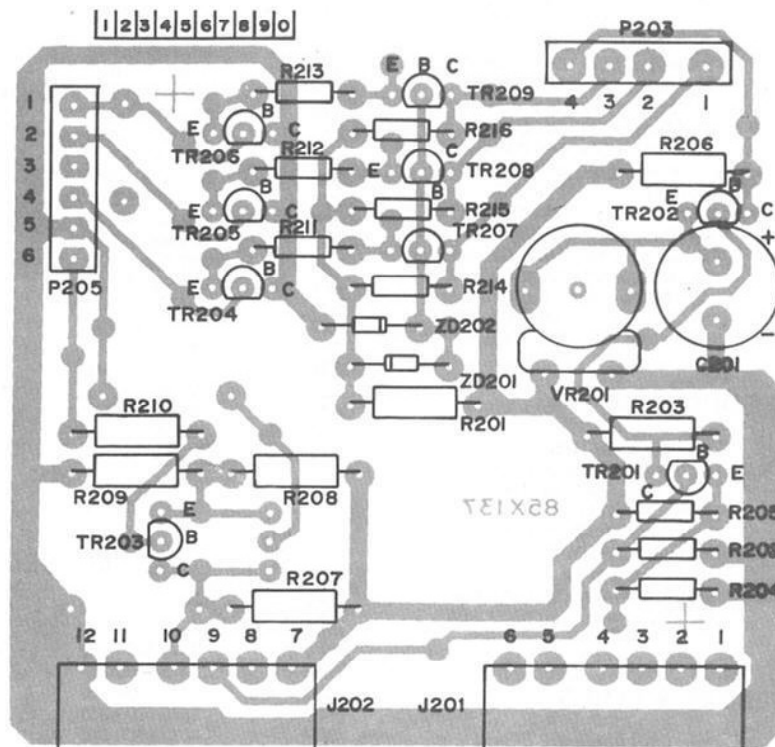


FIGURE 18. INTERFACE P.C. BOARD P297 P302

FOR MODELS 19K4601, 18K4602, 19K4604