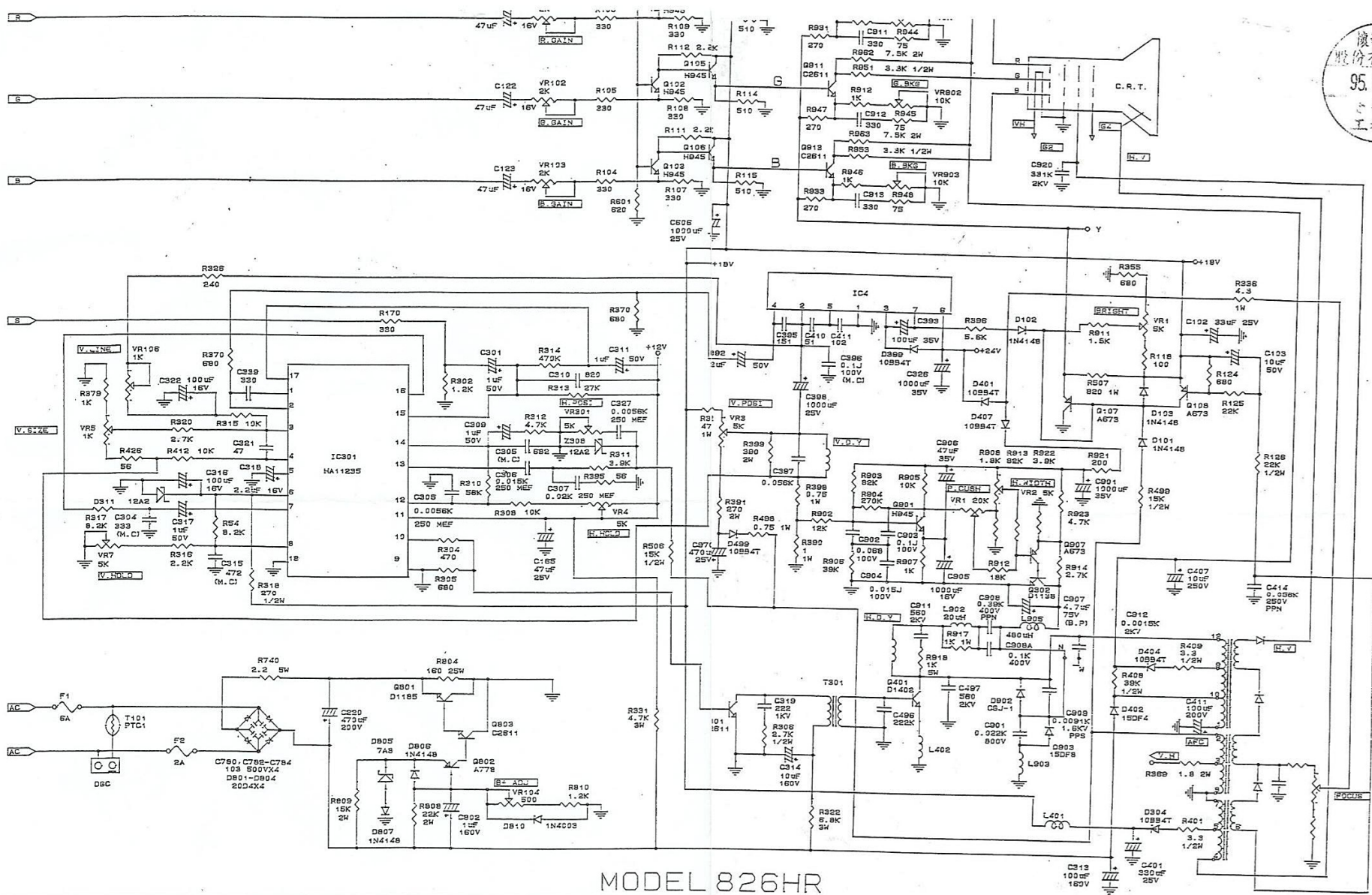


懷藝電子股份有限公司
95.5.11
行章
工程部



MODEL 826HR

REVISION	DATE	DESCRIPTION	REVISION	DATE	DESCRIPTION	DRAWN BY	DEVD BY	SCALE	WEI-YA HUAI I ELECTRONICS CO., LTD.	DRAWING NO. D-A-826	SHEET NO. HR-01A	JOB NO. 826HR
						林文輝	APAL	DATE				