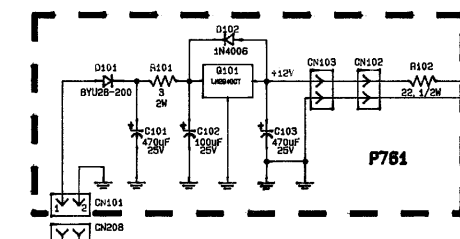
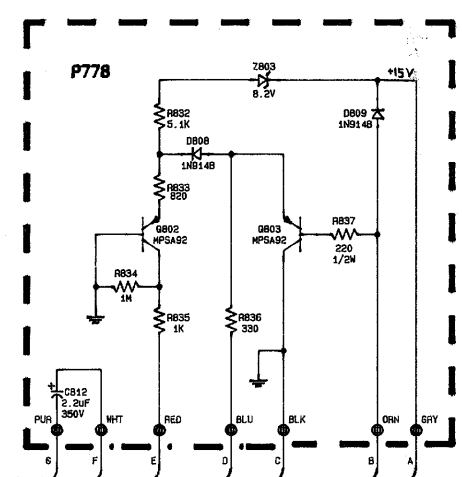
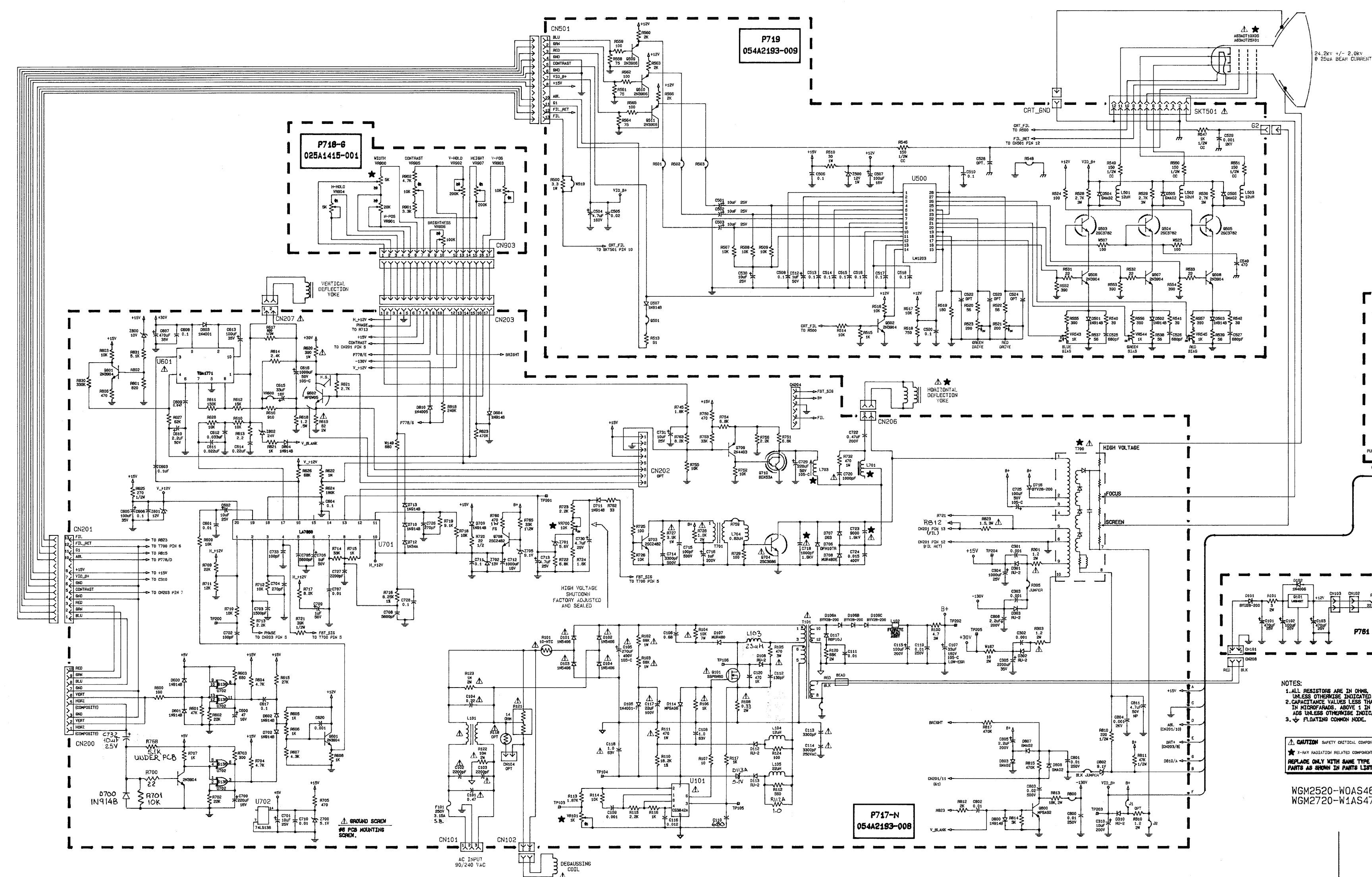


D PART 154X2193-008

IN ALL COMMUNICATION REFER TO PART NO. AND REVISION

ISSUE	APP'D BY	CHANGES
		RELEASED PER ECN #F50043 TML 10/95
A		PER ECN #D60018 TML 03/96
B	H.L. 3-5-96	PER ECN #D60025 TML 03/96 APL 3-5-96 ML 3-5-96
C	CR 5-9-96	PER ECN #F60019 TML 05/96
D		PER ECN #B60010 TML 05/96
E		PER ECN #B60012 TML 05/96
F	DZ 3/96	PER ECN D60143 TML 9/96
G	2/97	PER ECN D70025 TML 2/97 CJR 2/97 mjt/hjt 2-4-97



**CONTROLLED DOCUMENT**

WELLS-GARDNER ELECTRONICS CORPORATION  
2701 N. KILDARE AVE. CHICAGO, IL 60639  
PHONE: (773) 252-8220 TELEX: 25-3286  
FAX: (773) 252-8072

**RESTRICTED CONFIDENTIAL DOCUMENT**  
THIS DRAWING AND ALL INFORMATION SHOWN HEREON ARE THE EXCLUSIVE PROPERTY OF WELLS-GARDNER CORP. AND ARE SUBMITTED ONLY ON A CONFIDENTIAL BASIS. THE RECIPIENT AGREES NOT TO REPRODUCE THE DRAWING, TO RETURN IT UPON REQUEST, AND THAT NO DISCLOSURE OF THE DRAWING OR THE INFORMATION SHOWN HEREON WILL BE MADE TO A THIRD PARTY WITHOUT PRIOR WRITTEN CONSENT FROM WELLS-GARDNER CORPORATION.

THE EXCLUSIVE USE OF DECIMAL DIMENSIONS ON THIS SHEET IS FOR THE CONVENIENCE IN CHECKING AND IS NOT TO BE CONSTRUED AS AN INDICATION OF CLOSER TOLERANCES THAN SPECIFIED BELOW UNLESS OTHERWISE SPECIFIED.

1. ALL RESISTORS ARE IN OHMS, 1/4W, 5% UNLESS OTHERWISE INDICATED.  
2. CAPACITANCE VALUES LESS THAN 1 ARE IN MICROFARADS, ABOVE 1 IN PICOFARADS UNLESS OTHERWISE INDICATED.  
3. \* FLOATING COMMON NODE.

+/- .005 FOR ALL DIMENSIONS EXCEPT RND HOLES.  
+/- .002 FOR ALL ROUND HOLES AND ROUND PARTS.  
+/- .30° ON ANGULAR PARTS.

ALL DIMENSIONS ARE IN INCHES UNLESS OTHERWISE SPECIFIED.  
ALL THREADS TO BE CLASS #2 FIT.  
DO NOT SCALE THIS PRINT.

**READ ALL NOTES**

NOTES:  
1. ALL RESISTORS ARE IN OHMS, 1/4W, 5% UNLESS OTHERWISE INDICATED.  
2. CAPACITANCE VALUES LESS THAN 1 ARE IN MICROFARADS, ABOVE 1 IN PICOFARADS UNLESS OTHERWISE INDICATED.  
3. \* FLOATING COMMON NODE.

**CAUTION** SAFETY CRITICAL COMPONENT.  
\* X-RAY RADIATION RELATED COMPONENT.  
REPLACE ONLY WITH SAME TYPE PARTS AS SHOWN IN PARTS LIST.

WGM2520-W0AS46F  
WGM2720-W1AS47F

DRAWN BY	CJR	DATE	6/13/94	SCALE	1:1
APPROVED	[Signature]	APPROVED	[Signature]	MFG. REL.	
MATERIAL SPECS	NONE	FINISH/COLOR			
SHEET	1 OF 1				
NAME	SCHEM DIAG 25K2193				
D PART NO.	154X2193-008	REV.	G		

ASSOCIATE DRAWINGS