

# NT-500DXB7 / P7

## REPLACEMENT PARTS LIST:

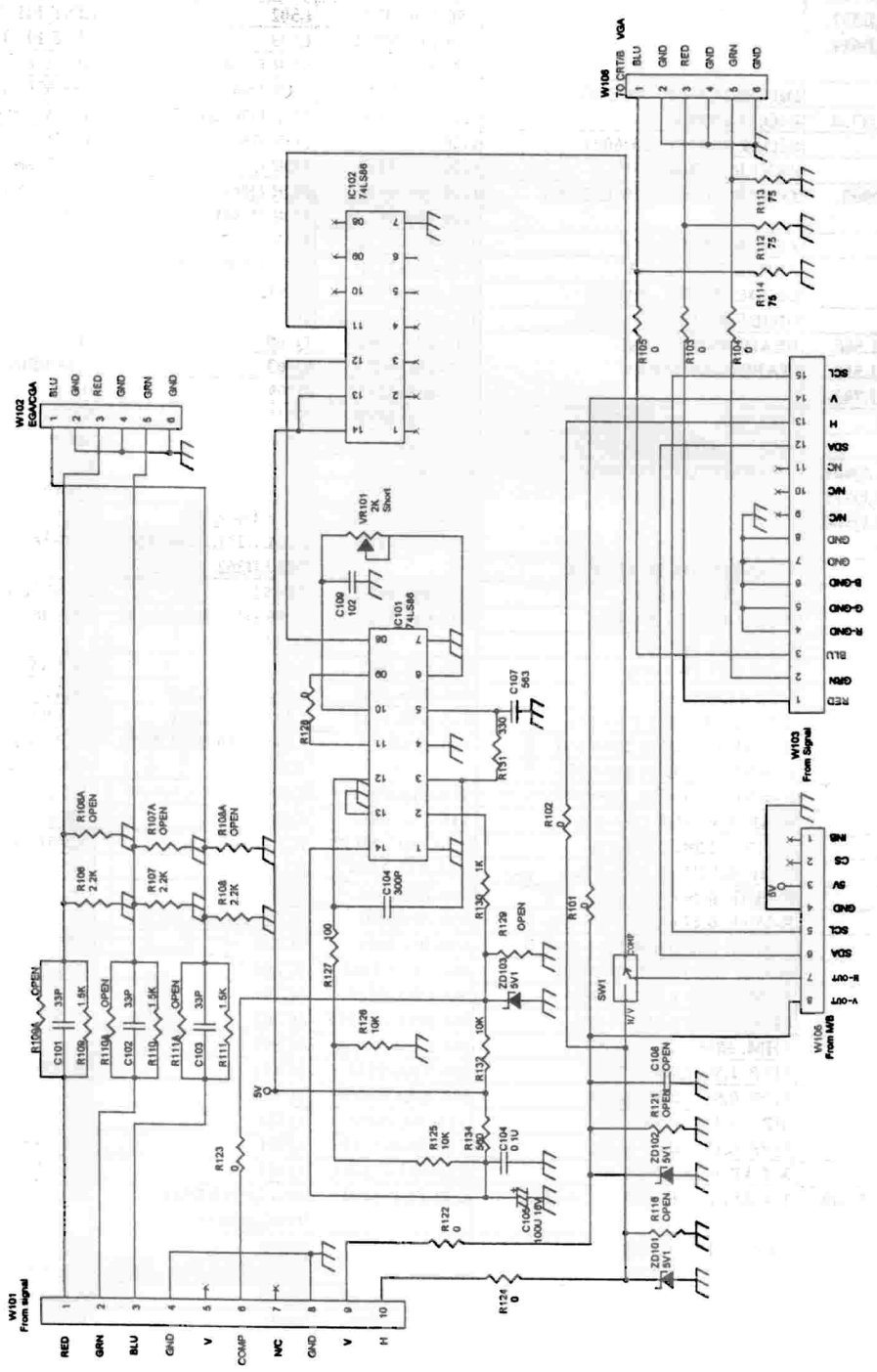
PART #	LOCATION	DESCRIPTION	PART #	LOCATION	DESCRIPTION
D20-001-4148	D503,D507,D716,D518, D713,D720,D725,D601, D602,D752,D607,D901, D902,D606,D704,D532, D703,D753,D610,D611, D754,D714,D903	DIODE IN4148	F45-251-2084	L703	CHOCK COIL 250UH +-15%
			F45-200-M785	L705	M785 H-LINE COIL
			F45-720-2084	L704	CHOCK COIL 72UH
			F50-100-M785	L502	LINE FILTER
			F50-150-M785	L503	LINE FILTER
			G20-001-7812	FOR IC502	ASS'Y KA7812
D20-010-4002	D304	DIODE IN4002 1A/200V	G20-001-5404	FOR D502	ASS'Y FUF5404
D20-010-4936	D505,D712,D715,D726	DIODE IN4936	G20-001-640B	FOR Q709,Q707	ASS'Y IRF640B
D20-010-4937	D708,D707	DIODE IN4937 1A/600V	G20-001-A506D	FOR D509	ASS'Y STTA506D
D21-005-03R6	ZD702	ZENER DIODE 3.6V	G20-001-5411	FOR Q703	ASS'Y 2SC5411
D21-005-05R1	ZD901,ZD902,ZD903, ZD904,ZD701	ZENER DIODE 5.1V HZ05C1	G20-001-0956	FOR Q504	ASS'Y 2SK956
D21-055-13R0	ZD601	ZENER DIODE 13V	G20-001-8172Y	FOR IC301	ASS'Y TDA8172
D21-005-18R0	ZD551	ZENER DIODE 18V	G20-002-0122	FOR Q717	ASS'Y TIP122
D22-010-5818	D705	DIODE IN5818 1A/40V	G20-002-772P	FOR Q505,Q701	ASS'Y HSB772P
D22-010-T42M	D501	DIODE BYT42M 1A/1KV	I05-5KA-7812	IC502	IC KA7812
F60-103-0608	L900,L706,L511,L506, L507,L508,L509,L510, L512,L701,L514,L703A	BEADS INDUCTOR (TAPING3.5*6*0.8)	D22-STT-A506D	D509	DIODE STTA506D
			T11-IRF-640B	Q709	MOSFET IRF640B
			T10-2SC-5411	Q703	TRANSISTOR 2SC5411
T10-2SA-733P	Q602,Q653,Q903	TRANSISTOR: 2SA733	D22-030-023M	D709	DIODE CD023M
T10-2SA-733G	Q714,Q715	TRANSISTOR: 2SA733G	T11-IRF-654B	Q719	MOSFET IRF654B
T10-2SC-945P	Q502,Q508,Q511,Q601, Q606,Q651,Q706,Q711, Q726,Q708,Q902,Q904, Q704,Q725,Q513	TRANSISTOR: 2SC945P	T11-2SK-956	Q504	MOSFET 2SK956
			I04-TDA-8172	IC301	IC TDA8172
			T10-0TI-P122	Q717	TRANSISTOR TIP122
			T10-HSB-772P	Q505 OR Q701	TRANSISTOR HSB772P
T10-00B-F423	Q710	TRANSISTOR BF423 PNP	D20-001-4148	D201,D231,D261,D202, D232,D262	DIODE IN4148
R13-102-2059	R758	R-NF.1K 2W+-5%	D21-005-05R1	ZD281	ZENER DIODE 5.1V
R13-1R0-1059	R703A	R-NF.1 OHM 1W+-5%	D22-010-SS83	D205,D235,D265,D203, D233,D263	DIODE ISS83
R13-823-2059	R502,R504	R-NF.82K 2W+-5%	F45-100-1162	L242	PEAKING COIL 10UH 1/4W +-10%
R13-R47-2059	R326	R-NF.0.47 2W+-5%	F45-R56-1062	L202,L232,L262	PEAKING COIL 0.56UH 1/2W +-5%
R18-4R0-0871	NTC501	NTC 4 OHM 8A	F45-R10-1162	L201,L231,L261	PEAKING COIL 0.1UH 1/4W
R13-150-2059S	R711	R-MNF.15 OHM 2W+-5%	F60-103-0608	L281,B280,B281,B282, B283,B284	BEADS INDUCTOR (TAPING 3.5*6*0.8)
R13-151-2059S	R704	R-MNF.150 OHM 2W+-5%	T10-2SA-733P	Q281,Q283	TRANSISTOR 2SA733P
R13-2R2-2059S	R777	R-MNF. 2.2 OHM 2W+-5%	T10-2SC-945P	Q282	TRANSISTOR 2SC945P
R13-1R8-3059S	R513	R-MNF. 1.8 OHM 2W+-5%	I05-OMC-78L08	IC205	IC MC78L08
R13-5R6-2059	R623,R623A	R-NF. 5.6 OHM 2W+-5%	R13-R47-1059	R2A1	R-NF. 0.47 OHM 1W+-5%
R13-224-3059S	R503	R-MNF. 220K 3W+-5%	S30-102-0001	SG282	SPARK GAP 1KV
R13-8R2-3059	R705	R-NF. 8.2 OHM 3W+-5%	S30-201-0001	SG201,SG231,SG261	SPARK GAP 200V
R13-R39-3059S	R759A	R-MNF. 0.39 OHM 3W+-5%	S30-401-0001	SG281	SPARK GAP 400V
R13-R47-3059S	R714,R759	R-MNF. 0.47 OHM 3W+-5%	I04-OLM-2483	IC204	IC LM2483
R13-561-1059S	R528	R-MNF. 560 OHM 1W+-5%	I04-TDA-9210	IC201	IC TDA9210
R32-R15-2059	R526	R-WR. 0.15 OHM 2W+-5%	I04-BNT-68275E	IC202	IC NT68275
C09-102-1652	C732	PHM. 1000P 1.6KV +-5%	I04-2KA-3842A	IC501	IC KA3842A
C09-912-1652	C712	PHM. 9100P 1.6KV +-5%	I04-TDA-9116	IC601	IC TDA9116
C09-682-1052	C713	PHM. 6800P 1KV +-5%	I05-AMC-76285	IC503	IC AMC76285
C10-155-0252	C731	MPP. 1.5U 250V +-5%	T10-2SC-945P	Q722	TRANSISTOR 2SC945P
C10-564-0452	C710	MPP. 0.56U 400V +-5%	T10-HSB-772P	Q501	TRANSISTOR HSB772P
C10-394-0452	C717	MPP. 0.39U 400V +-5%	T11-IRF-U214A	Q702	MOSFET IRFU214A
C10-184-0452	C709	MPP. 0.18U 400V +-5%	D22-FUF-5404	D513,D719,D510, D502,D502A,	DIODE FUF5404
C15-224-2572	C508,C524	X-CAP. 0.22U 250V AC	D22-FUF-5407	D508	DIODE FUF5407
C17-472-4072	C502,C503,C533,C540, C541,C553	Y-CAP. 4700P 400V AC +-20%	D22-01N-5406	D514,D515,D516,D517	DIODE IN5406
S02-001-212DM5	RL501,RL701	RELAY 12VDC DSA-SS-212DM5	E31-120-HC49	X901	XTAL 12MHZ
I01-00-2416	IC902	EEPROM 24WC16	E50-141-3150	F501	FUSE 3.1A 250V AC
I03-00-722774	IC901	MCU ST72T774	F30-302-M239	T701	M239 27" FBT
F30-102-M239	T501	POWER TRANSFORMER			
F30-200-M785	T702	H-DRIVE FOR M785			

NEOTEC GRAPHIC INT'L INC

2721 N. TOWNE AVENUE

POMONA, CA 91767

TEL: (909) 626-9889 FAX: (909) 626-0990



NEOTEC	
No	NT-500DX 27
Rev	AS
Document Number	SignalB
Date	Monday, April 27, 2009
Sheet	8
Page	8

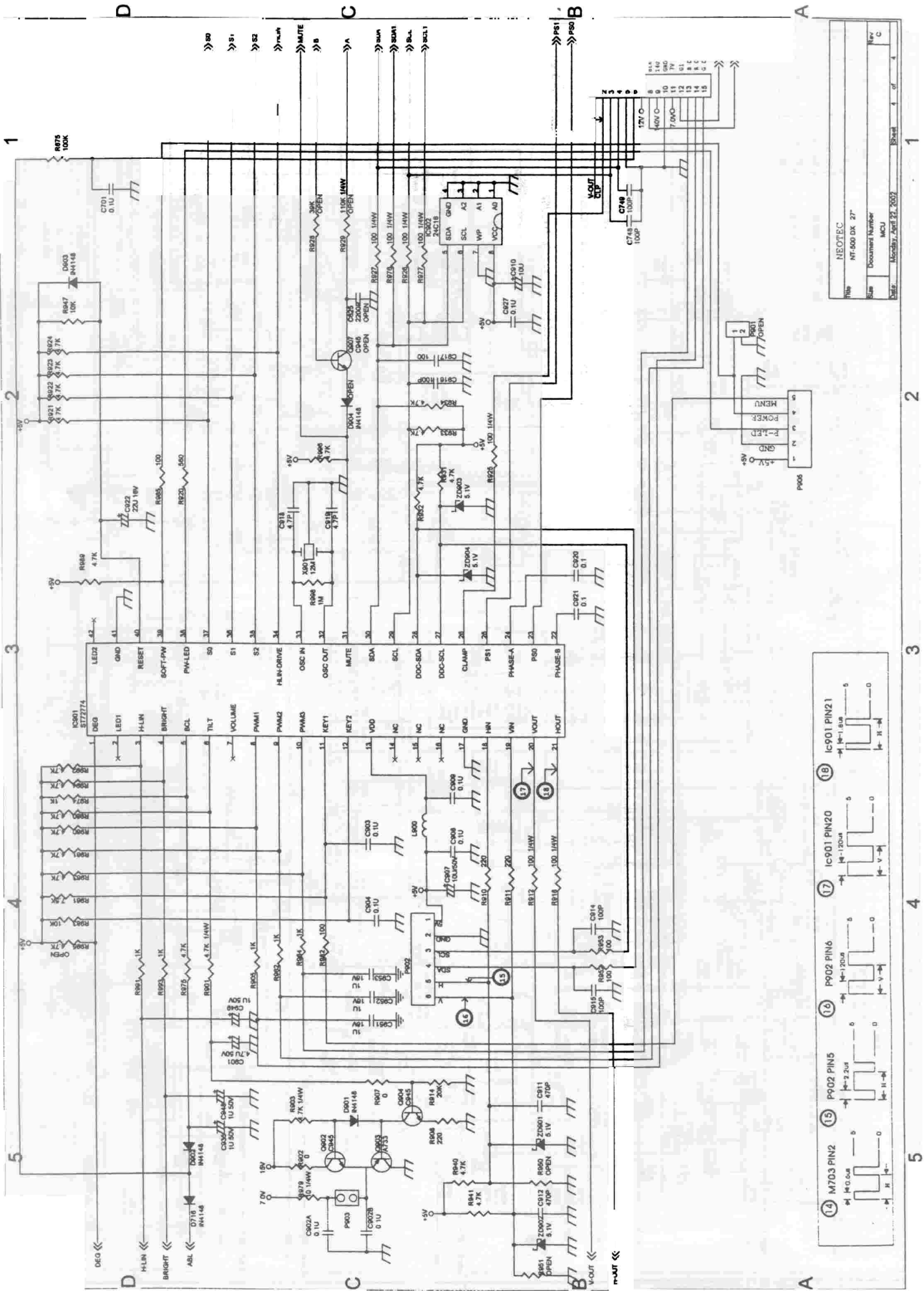
NT-500DXB7/P7

COMPONENT PARTS LIST

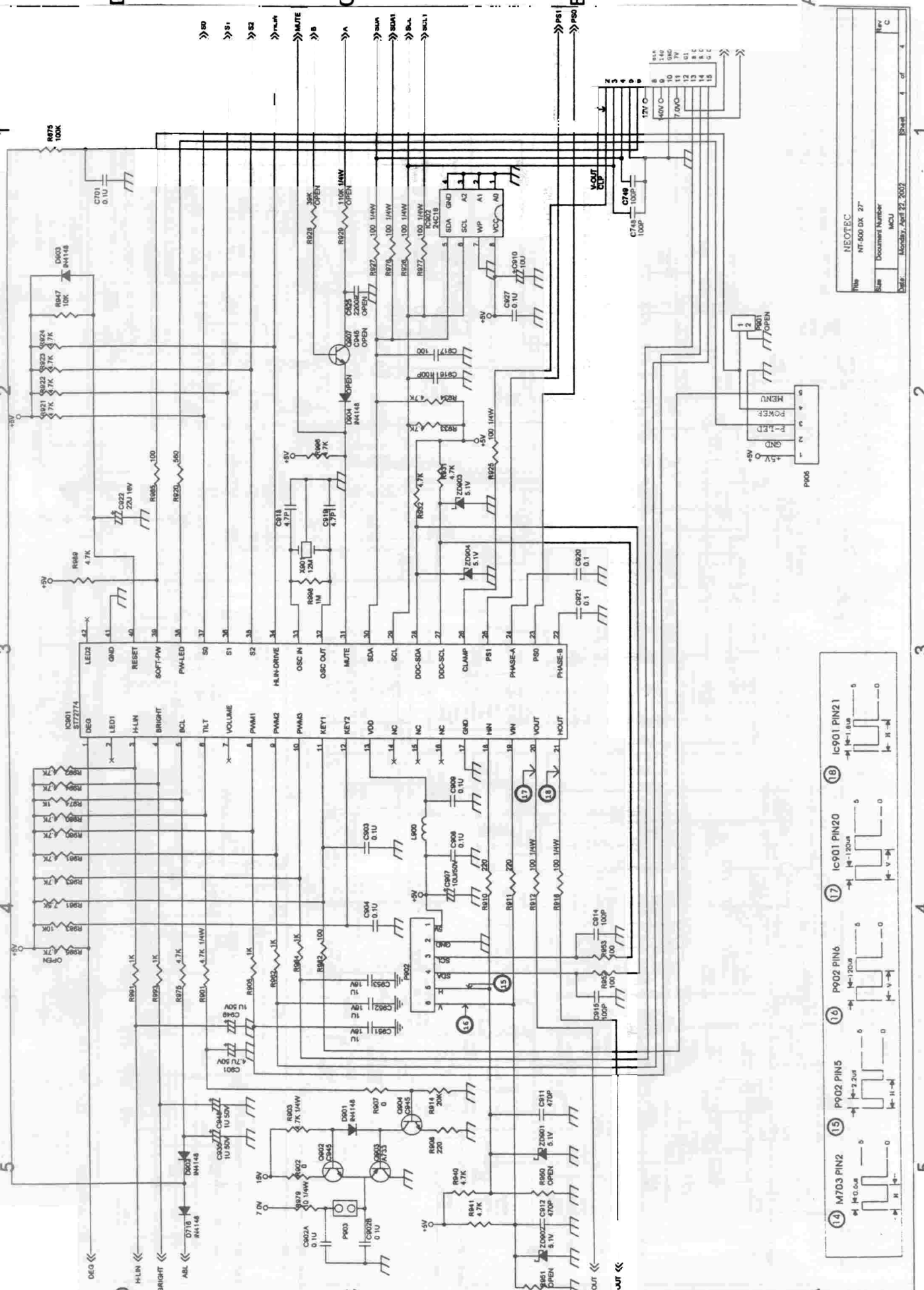
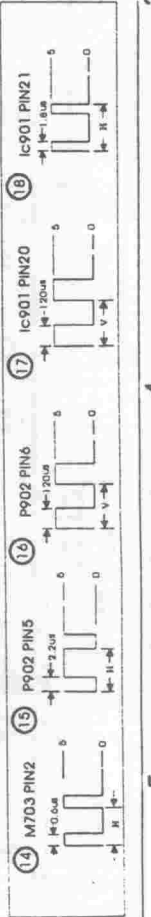
LOCATION

DESCRIPTION

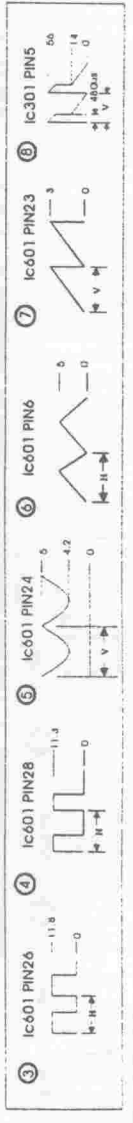
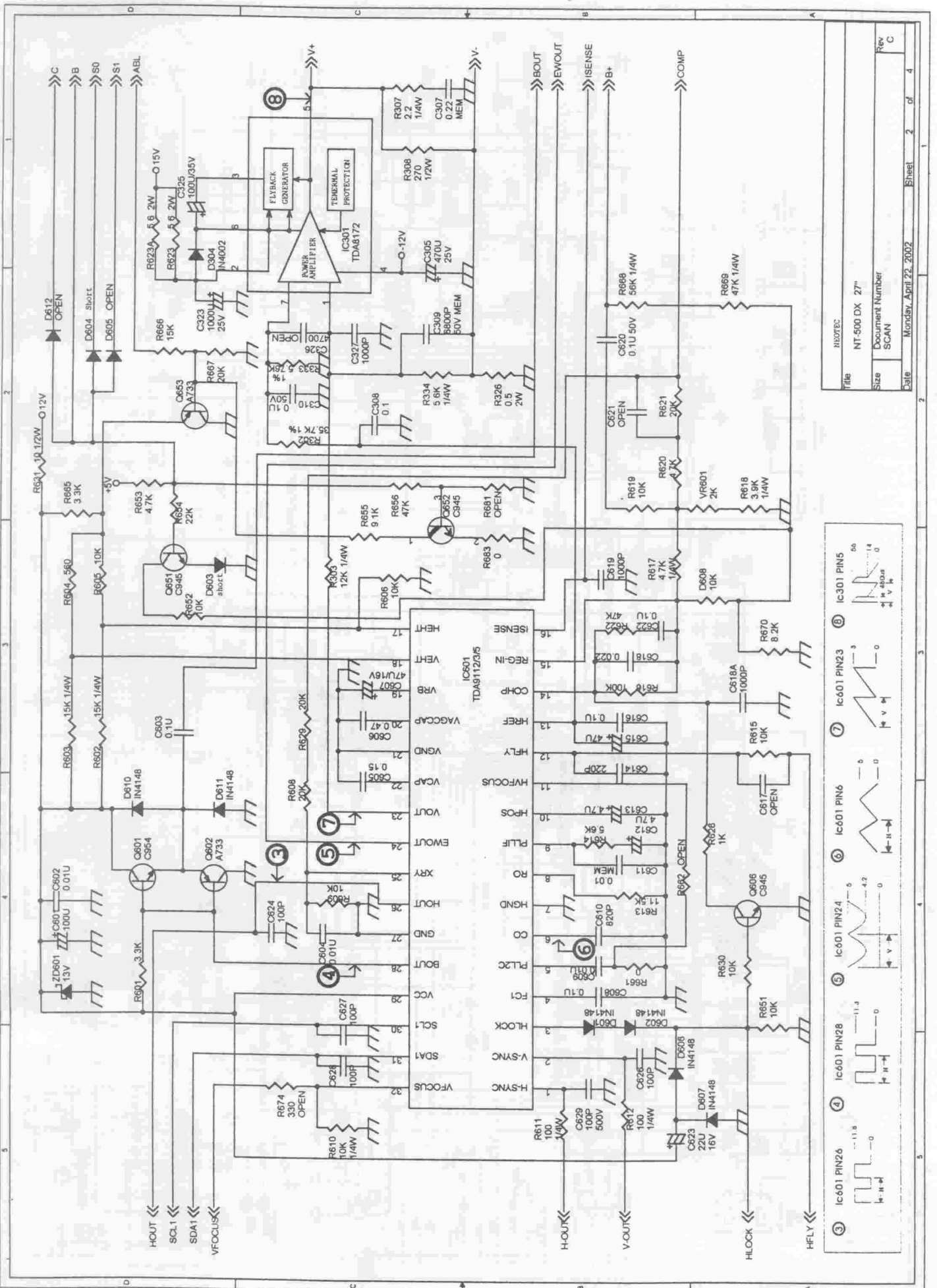
LOCATION



File	NEOTECH
Size	NT-600 DX 27"
Doc Number	Document Number
Rev	MCU
Sheet	1 of 4



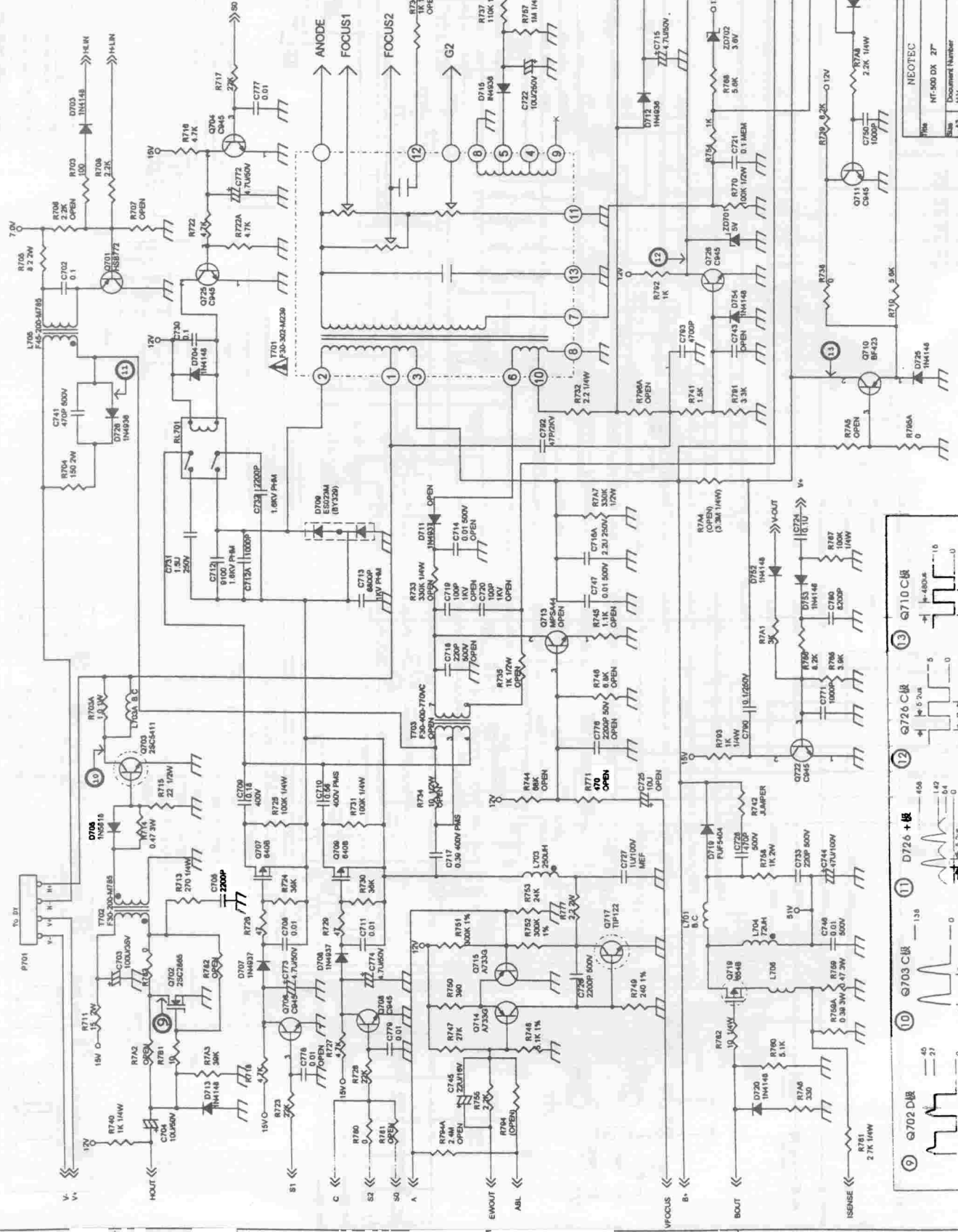
1 2 3 4 5  
 D C B A  
 1 2 3 4 5  
 A B C D



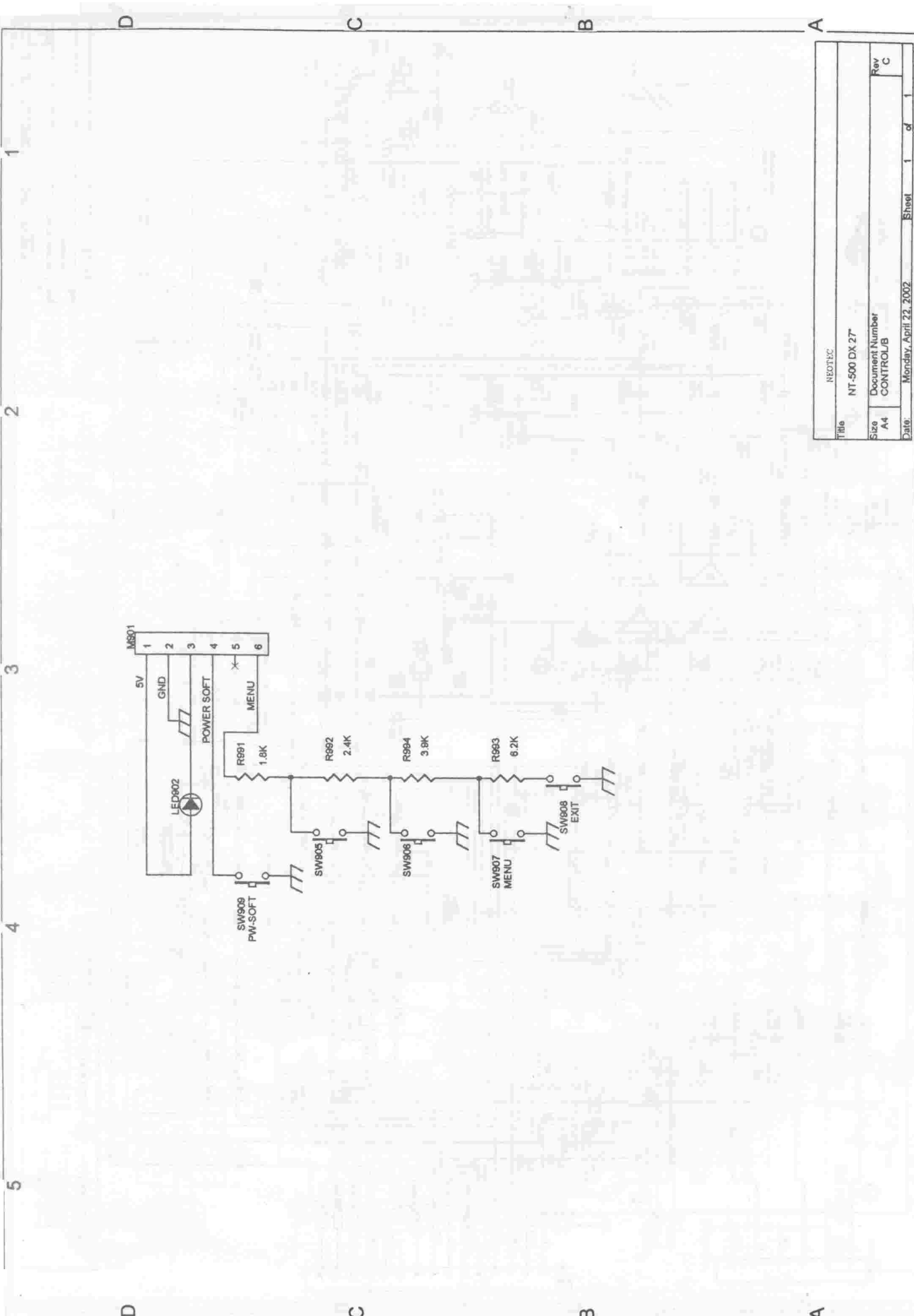
File	NT-500 DX 27"
Size	Document Number
Doc	SCAN
Date	Monday, April 22, 2002
Sheet	2 of 4
Rev	C

NOTES:

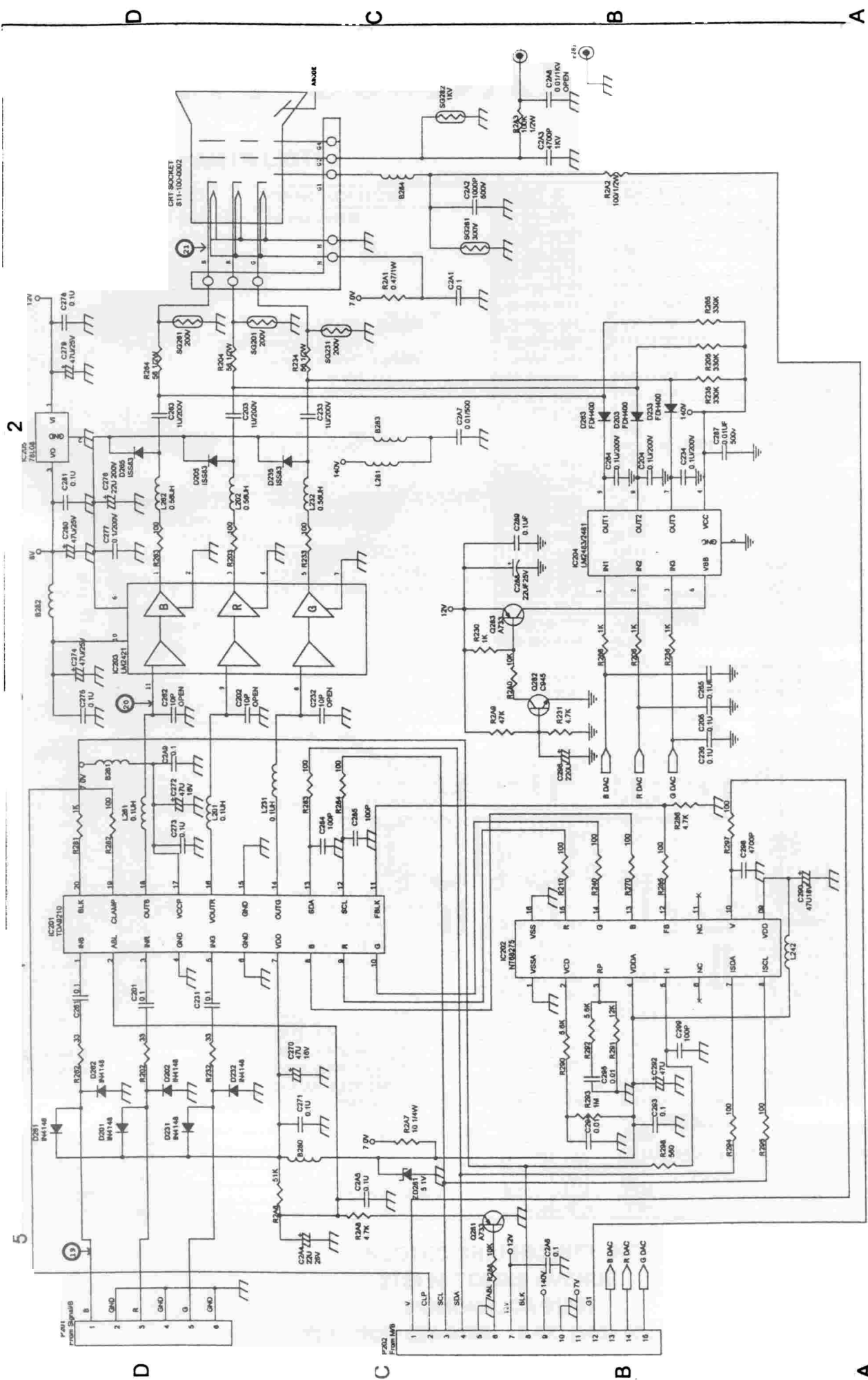
FH(KHZ)	S0	S1	S2
15-17	0	0	0
17-23	0	1	1
23-29	1	1	0
29-36	1	0	1
36-38	1	1	1



9 @702 D線  
10 @703 C線  
11 D726 + 根  
12 @726 C線  
13 @710 C線

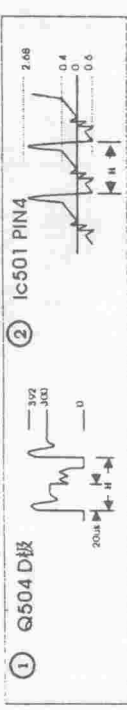
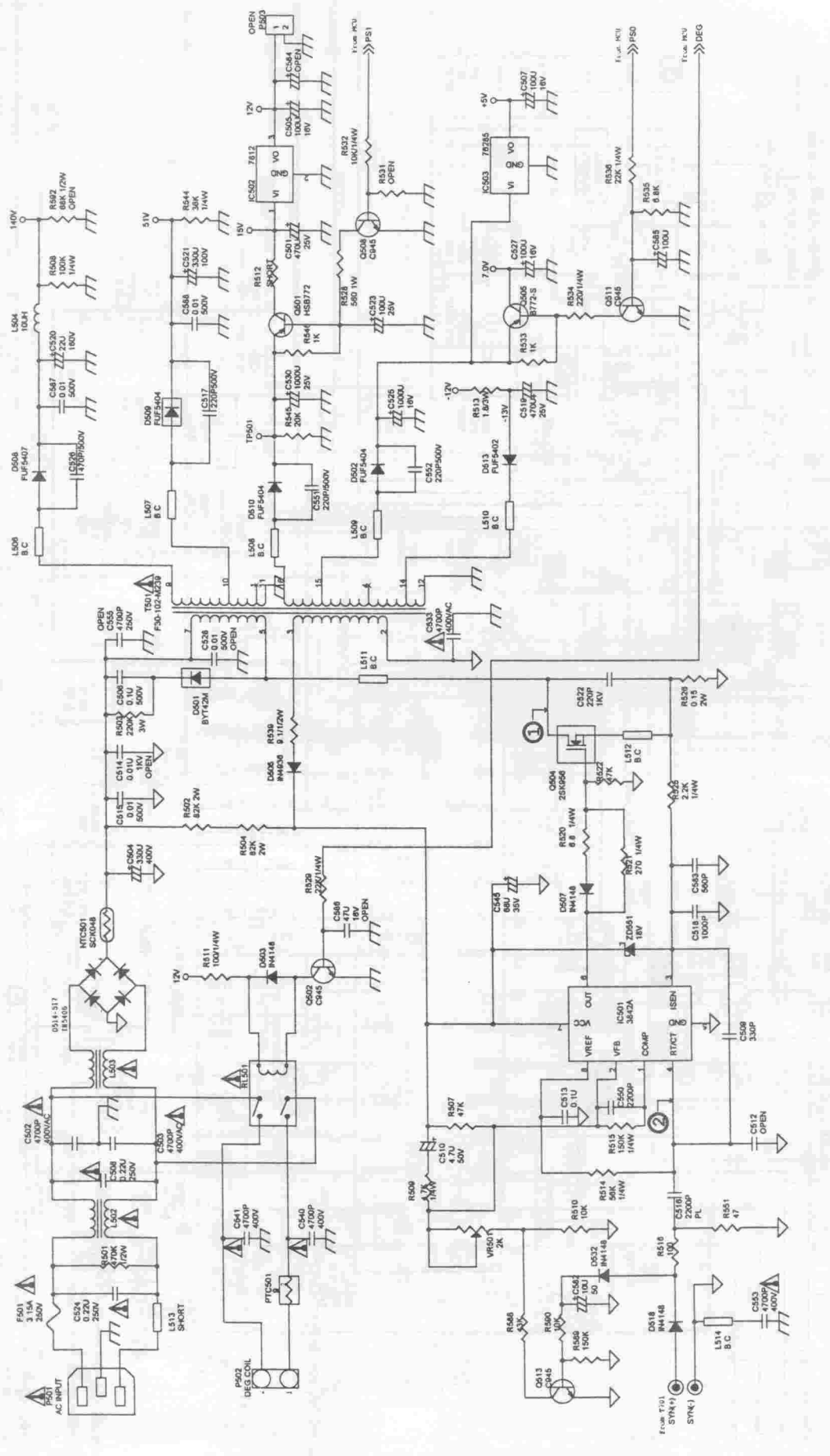


Title		NEOTEC	
NT-500 DX 27			
Size	Document Number	Rev	
A4	CONTROL/B	C	
Date:	Monday, April 22, 2002	Sheet	1 of 1



File	NEOTECH
Part	MT-9000X
Rev	Document Number
AS	CRT20
Date	10/20/01, April 22, 2002
Drawn	g
Checked	g
Approved	g





NEOTECH	
Title	NT-900 DX 27"
Size	Document Number
DATA	POWER
DATE	March 22, 2002
Sheet	1 of 1
Rev	C



**500DXB7 (RCA)**  
**500DXP7 (LG-PHILIPS)**  
**500DXN7 (ORION)**  
 27" O.S.D. Digital Monitor

**SPECIFICATIONS:**

PICTURE TUBE:	27" CRT 0.78mm DOT PITCH
RESOLUTION:	640 X 200 CGA
	640 X 400 EGA
	640 X 480 VGA
	800 X 600 S-VGA
SCANNING FREQUENCY:	HORIZONTAL: 15.75, 24.8, 31.5 ~ 38 KHz
	VERTICAL: 45 ~ 90 Hz
VIDEO INPUT:	RGB ANALOG
	CGA, EGA 2.2vp-p 4.7 KOHM
	VGA 0.7vp-p 75 KOHM
BANDWIDTH:	25 MHz
SYNC INPUT:	H.V. SEPARATE SYNC
	H.V. COMPOSITE SYNC
	TTL COMPOSITE SYNC ON GREEN
	NEGATIVE OR POSITIVE
	SYNC INPUT IMPEDENCE 2.2K OHM (H&V)
POWER INPUT:	90 ~ 264 VAC
INPUT CONNECTOR:	VGA: 15 PIN D-SUB
	CGA/EGA: 0.156" CENTER HEAD
POWER CONSUMPTION:	150 W MAX
USER CONTROLS:	CONTRAST, BRIGHTNESS, H-SIZE, H-PHASE, V-SIZE, V-CENTER,
	PINCUSHION, TRAPEZOID, DEGAUSS, ROTATION, OSD 90° ROTATING POSITION
COLOR TEMPERATURE:	9300° K, 6500° K, 5000° K
OPERATION TEMPERATURE:	0° ~ 50° C
STORAGE TEMPERATURE:	-20° ~ 60° C
SAFETY STANDARD:	UL, cTUV