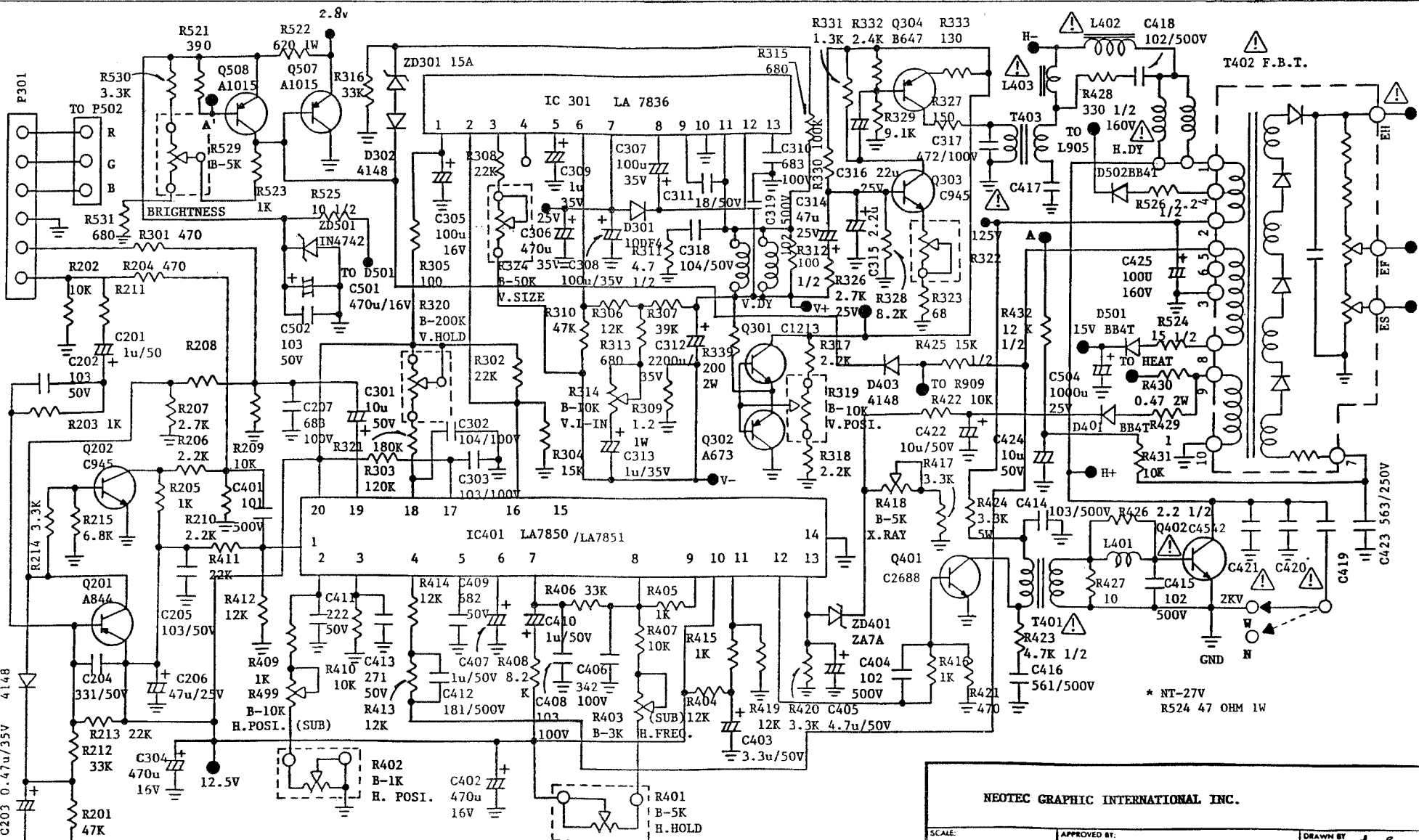


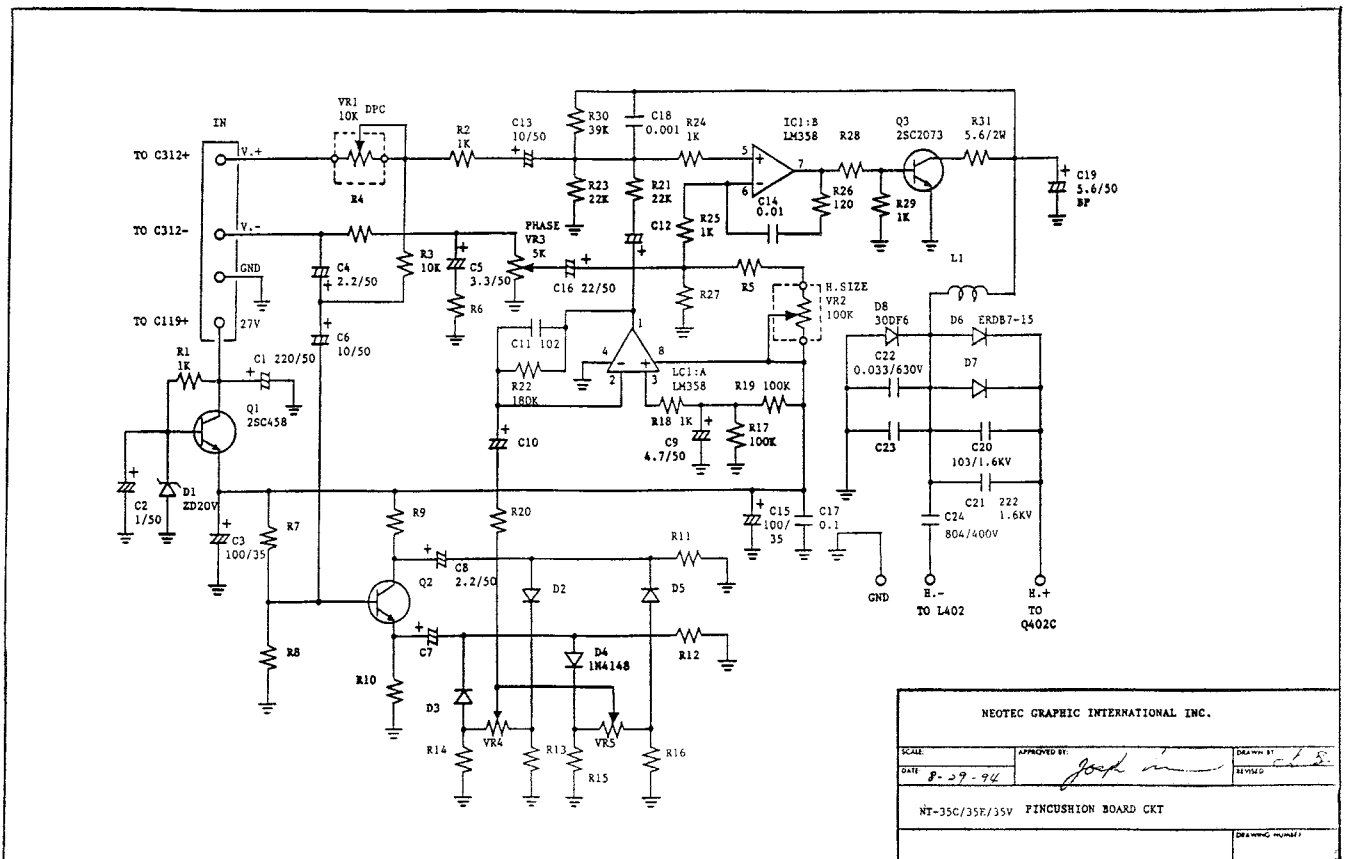
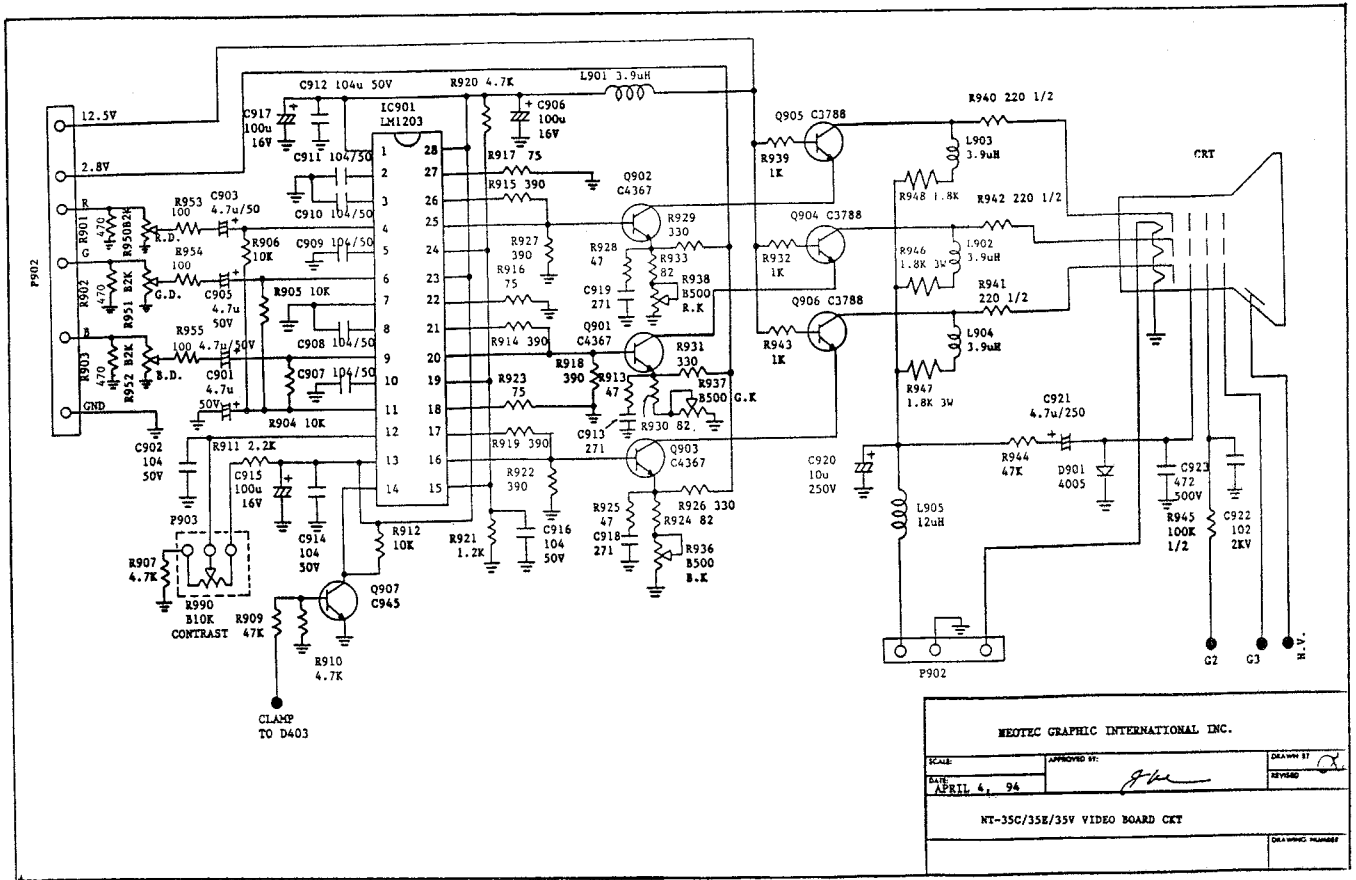
NEOTEC GRAPHIC INTERNATIONAL INC.

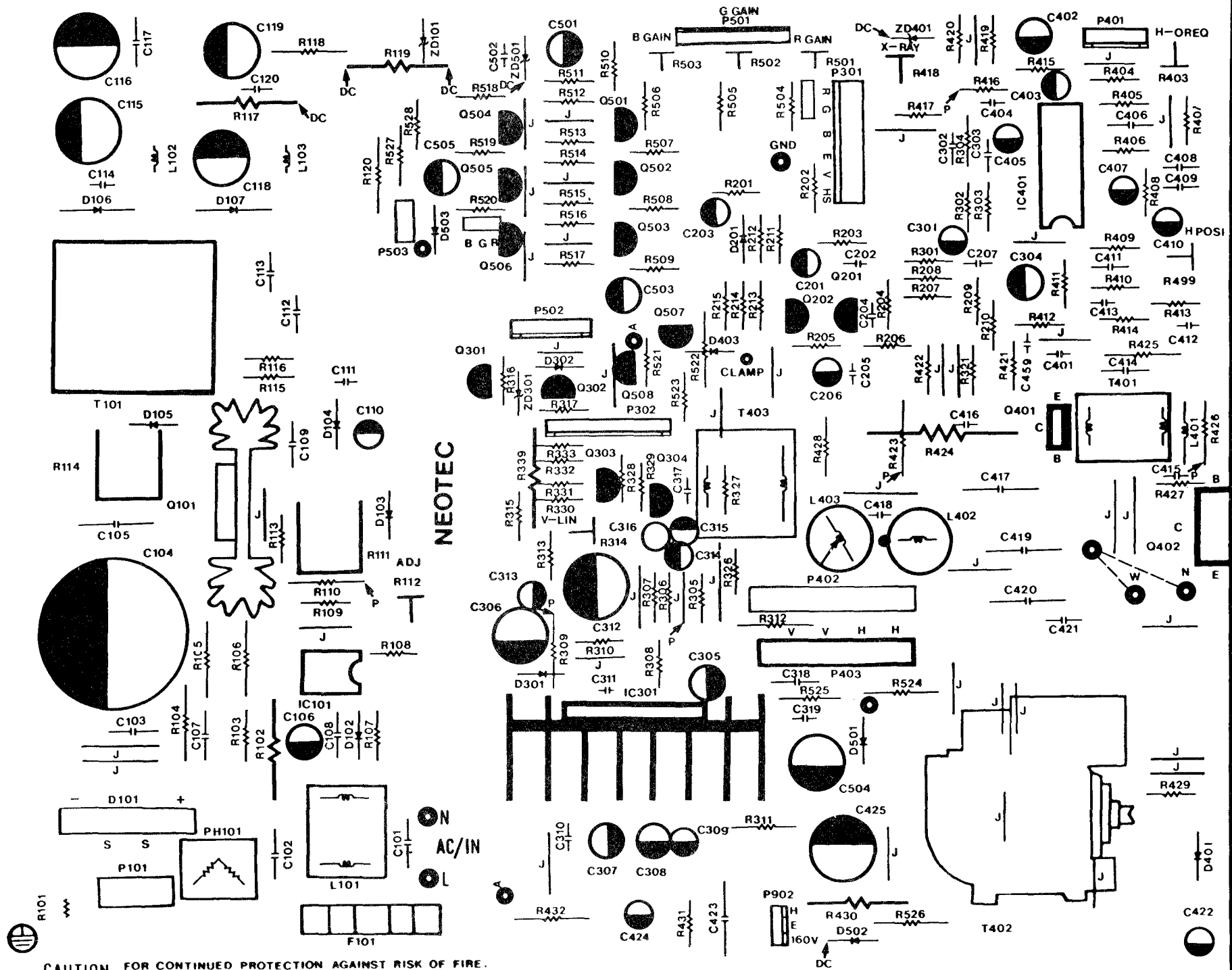
SCALE:	APPROVED BY:	DRAWN BY:
DATE: APRIL 4, 94	<i>[Signature]</i>	<i>[Signature]</i>
NT-35C/35E/35V POWER SUPPLY CKT		REVISED
		DRAWING NUMBER



NEOTEC GRAPHIC INTERNATIONAL INC.		
SCALE:	APPROVED BY:	DRAWN BY:
DATE: APRIL 4, 1994	<i>[Signature]</i>	<i>[Signature]</i>
NT-35C/35E/35V MAIN BOARD CKT		REVISED:
		DRAWING NUMBER:

* NT-27V
R524 47 OHM 1W





NEOTEC

CAUTION FOR CONTINUED PROTECTION AGAINST RISK OF FIRE. REPLACE ONLY WITH SAME TYPE AND RATING OF FUSE.

