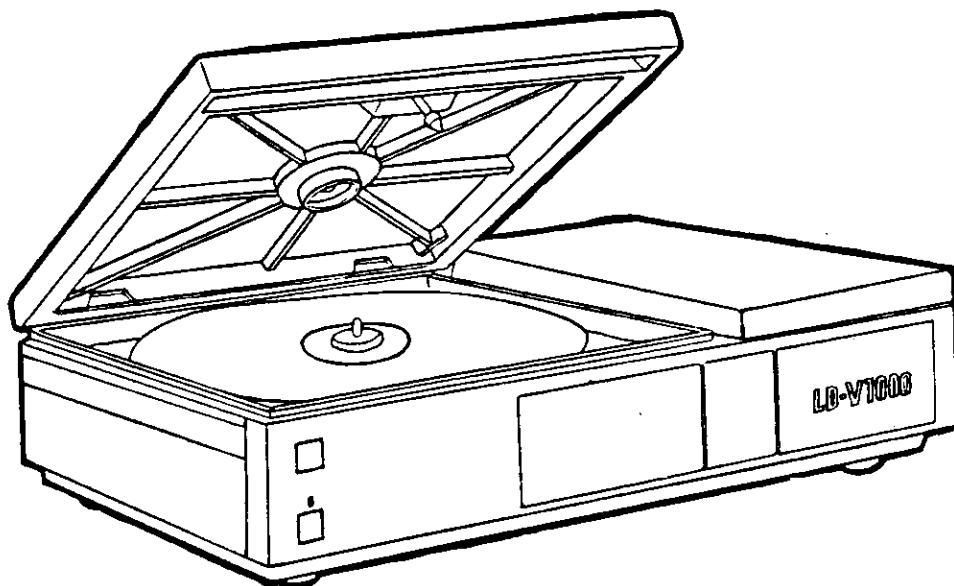


VIDEO DISC PLAYER

LD-V1000

PROVISIONAL SERVICE MANUAL

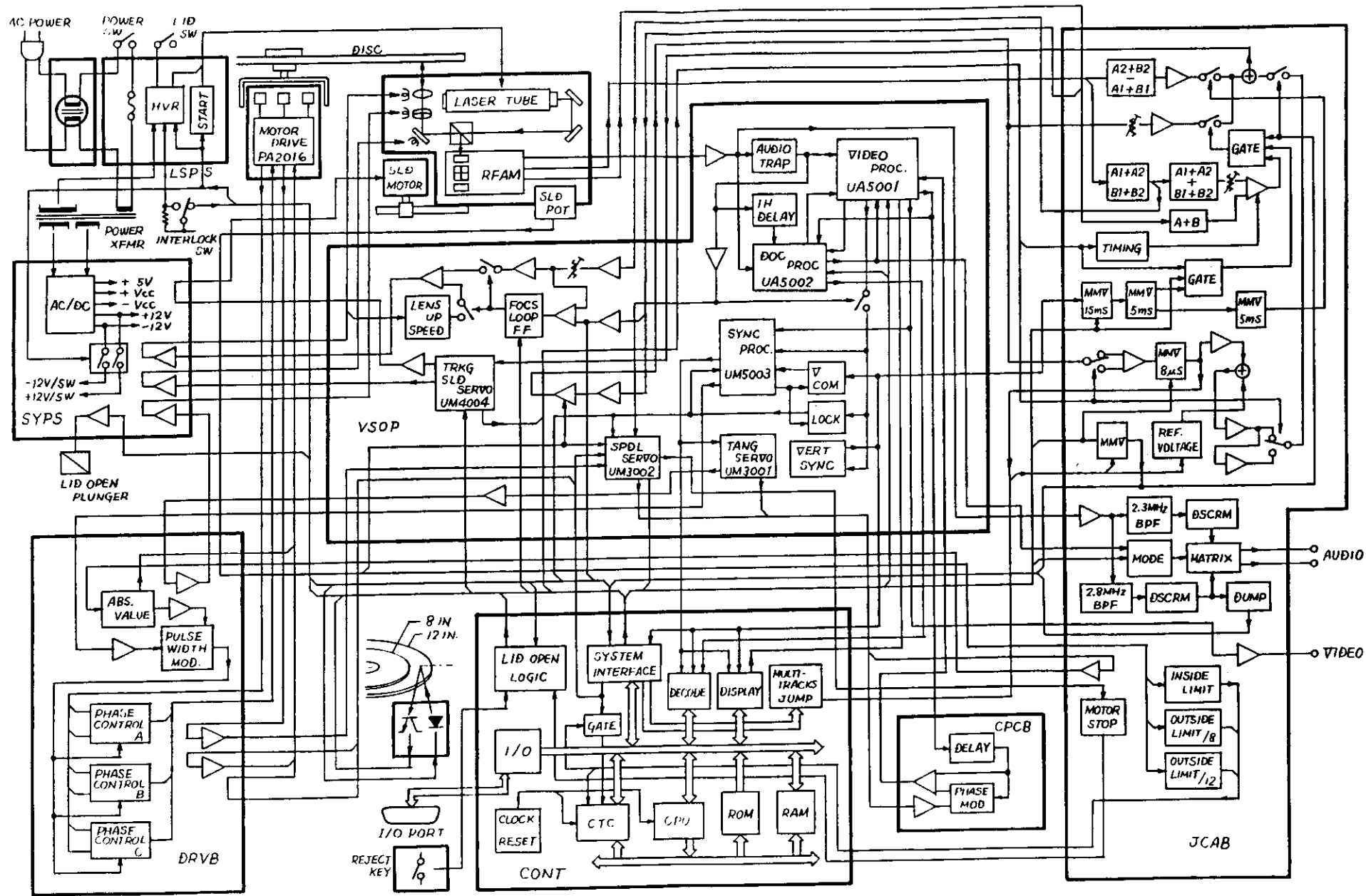


■ CONTENTS

1. BLOCK DIAGRAM
2. WAVE FORMS
3. CIRCUIT DIAGRAMS AND PARTS LISTS
4. EXPLODED VIEWS AND PARTS LIST

Note : Please use this temporarily till
the regular service manual is ready.

1. BLOCK DIAGRAM



2. WAVE FORMS

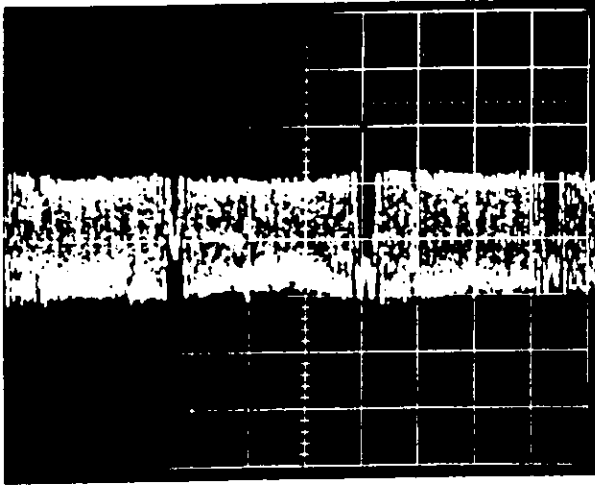


Photo-1.

TP501-1. when the servo loop
is opened

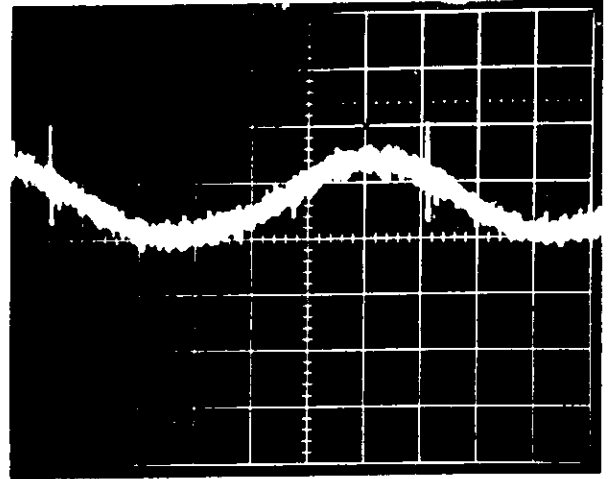


Photo-2.

TP501-1. when the servo loop
is closed

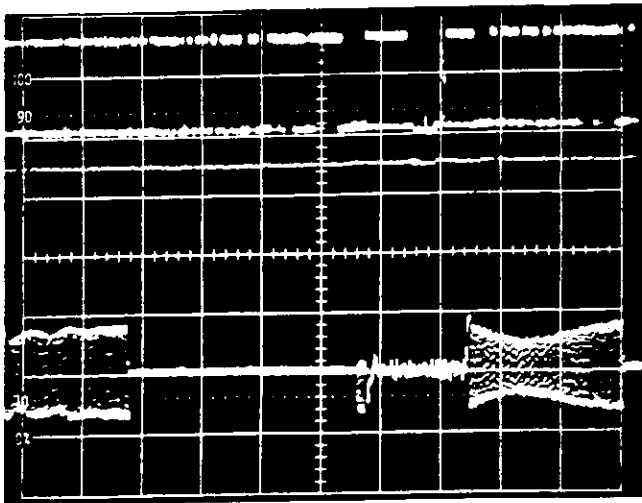


Photo-3.

Tracking mirror current
in SEARCH mode

upper: Video signal
lower: Tracking mirror current

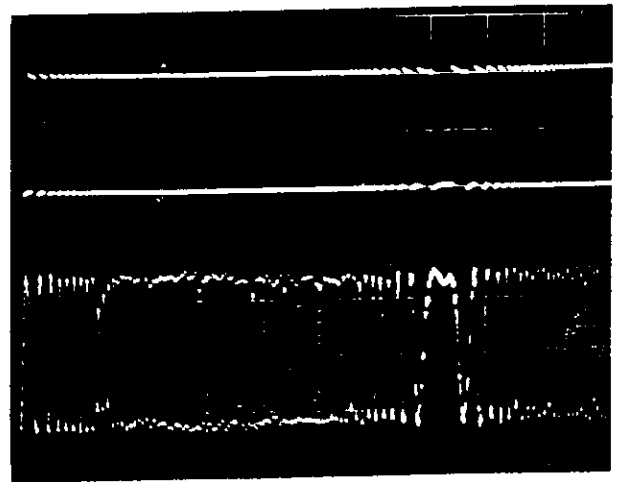


Photo-4.

ON TRACK signal

upper: ON TRACK signal
lower: Tracking error

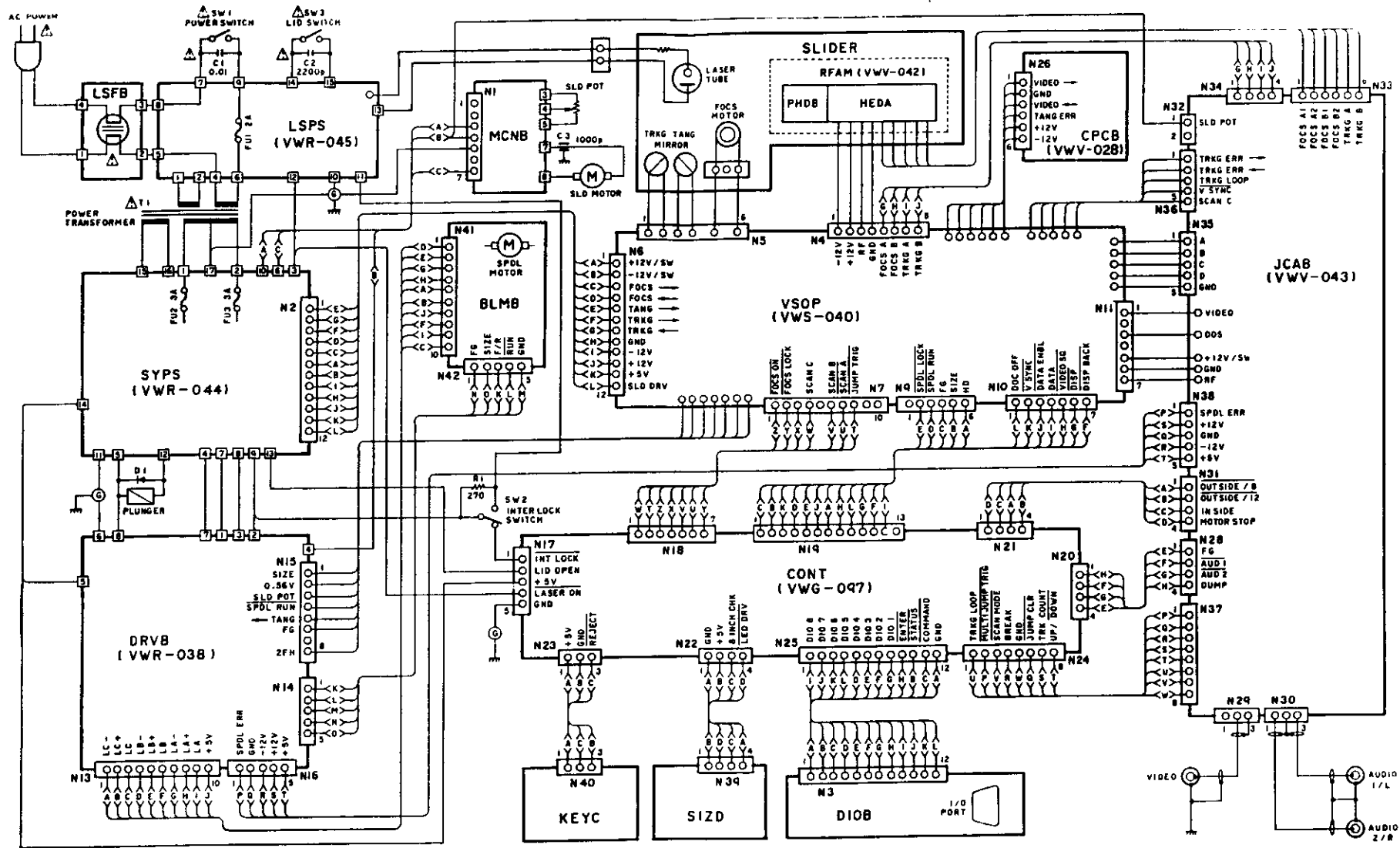
3. CIRCUIT DIAGRAMS AND PARTS LISTS

ELECTRICAL PARTS LIST

	<u>Mk. Parts No.</u>	<u>Description</u>
CIRCUIT BOARDS	VWR-044	SYPS
	VWR-045	LSPS
	▼ VWR-035	LSFB
	▼ VWM-002	MCNB
	VWR-038	DRVB
	VWV-042	RFAM
	VWV-043	JCAB
	VWS-040	VSOP
	VWV-028	CPCB
	VWG-097	CONT
	▼ VWG-098	KEYC
	▼ VWG-099	SIZD
	▼ VWG-100	DIOB
	OTHERS	VTT-034
VXM-029		Spindle motor
VXM-030		Slider motor
VXP-005		Plunger
VGX-043		Slider assembly
VSA-006		SW1 Power switch
VSF-006		SW2 Interlock switch
VSF-007		SW3 Lid switch
SM1A-02		D1
RD1/4PM271J		R1
VCS-005		Potentiometer
VCG-011		C1
VCG-013		C2
VCG-005		C3
VDG-016		Power cord

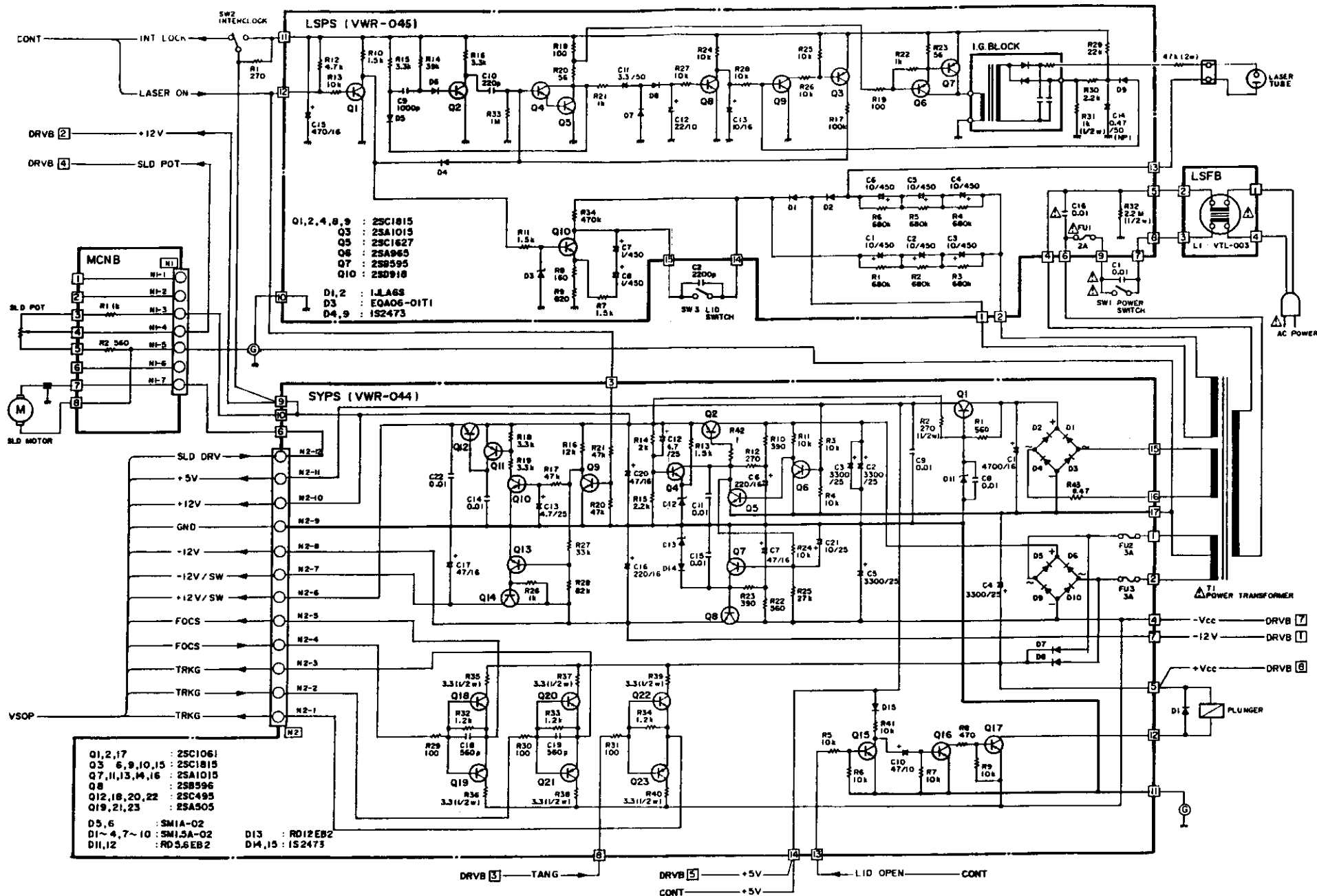
Note: ▼ marked parts are not supplied
as service parts.

3-1. OVERALL CONNECTIONS



3-2. SYPS (VWR-044), LSPS(VWR-045),

LSFB (VWR-035) AND MCNB (VWM-002)



SYPS(VWR-044)

Part No.	Ref No.,	Descriptions
2SC1061-B/C	Q 1, 2, 17	
2SC1815-Y	Q 4	
2SC1815-0/Y/GR	Q 5, 6, 9, 10, 15	
(2SC2320-E/F) (2SC2603-E/F) 2SA1015-0/Y	Q 7, 11, 13, 14, 16	
2S8596-0/Y	Q 8	
2SC495-0/Y	Q 12, 18, 20, 22	
2SA505-0/Y	Q 19, 21, 23	
SM1.5A-02	D 1- 4, 7- 10	
SM1A-02	D 5, 6	
RD5.6EB2	D 11, 12	
RD12EB2	D 13	
1S2473	D 14, 15	
RD1/4PM000J	R 1, 3- 11, 13, 16- 34, 41, 42	
RD1/2VS271J	R 2	
RN1/4PR0000F	R 14, 15	
RD1/2VS3R3J	R 35- 40	
VCN-116	R 43	
CEA472M16	C 1	
VCH-009	C 2- 5	3300/25
CEA221M16	C 6, 16	
CEA470M16	C 7, 17, 20	
CKDYF103Z50	C 8, 9, 11, 14, 15, 22	
CEA470M10	C 10	
CEA4R7M25	C 12, 13	
CKDYB561K50	C 18, 19	
CEA100M25	C 21	
VEK-006	FU 2, 3	Fuse 3A
VEC-028		Spacer
VEC-072		Insulator/mica
VEC-101		Insulator/silicon
VBA-003		Screw
VKR-001		Fuse holder

MCNB(VWM-002)

Part No.	Ref No.,	Descriptions
RD1/4PM000J	R 1, 2	

LSPS(VWR-045)

Part No.	Ref No.,	Descriptions
2SC1815-0/Y/GR	Q 1, 2, 8, 9	
(2SC2320-E/F) (2SC2603-E/F) 2SA1015-0/Y/GR	Q 3	
2SC1815-0/Y	Q 4	
2SC1627-0/Y	Q 5	
2SA965-0/Y	Q 6	
2S8595-0/Y	Q 7	
2SD818	Q 10	
GHV-03Z (GHV-03SSN) (1JLA6S)	D 1, 2	
EQA01-06TI	D 3	
1S2473	D 4- 9	
RD1/4PM000J	R 1- 8, 10- 30, 33, 34	
RN1/4PR8200F	R 9	
RD1/2VS102J	R 31	
VCH-003	C 1- 6	10/450
VCH-010	C 7, 8	1/450
CKDYB102K50	C 9	
CCDSL221J50	C 10	
CEA3R3M50	C 11	
CEA220M10	C 12	
CEA100M16	C 13	
CEAR47M50NP	C 14	
CEA471M16	C 15	
VCG-011	C 16	0.01uF
VEK-004	FU 1	Fuse 2A
VKR-001		Fuse holder
VDA-022		H.V. cord
VKN-049		H.V. cap
VCA-004		I.G. block

LSFB(VWR-035)

Part No.	Ref No.,	Descriptions
VTL-003 (VTL-004)	L 1	Line filter

Note: LSFB and MCNB are not supplied as service parts.

DRVB (VWR-038)

Part No.	Ref No.,	Descriptions
UPC4558C (NJM45580)	Z 1, 2, 4	
UPC393C	Z 3	
DTC124N	Z 5, 6	
2SC1815-Y/GR	Q 1, 2, 7- 9, 11, 14, 16, 19, 21	
2SA1015-Y/GR	Q 3, 4	
2SC1627-O/Y	Q 5	
2SD525-O/Y	Q 6	
2SA817-O/Y	Q 10, 15, 20	
2SB834-Y/GR	Q 12, 17, 22	
2SD800-Y/GR	Q 13, 18, 23	
2SC1015-GR	Q 24	
1S2473	D 1- 4, 12	
S2K20	D 5	
SM1A-02	D 6- 11	
RD1/4PM000J	R 1- 13, 16, 21- 51, 53, 54, 56- 59, 61, 62, 64- 67, 69, 70, 72- 79	
RN1/4PR2202F	R 14, 15, 17, 18	
VCN-092	R 19 1.2/3W	
VCN-098	R 20 3.3/3W	
RD1/2VS000J	R 52, 55, 60, 63, 68, 71	
CCDSL101J50	C 1	
CQMA473J50	C 2	
CKDYB682K50	C 3	
CEA220M25	C 4, 14	
CEA100M50	C 5	
CKDYB681K50	C 6	
CEA101M6R3	C 7	
CQMA222J50	C 8	
CEA100M16	C 9	
CEA3R3M50	C 10	
CEA470M50	C 11- 13	
CEA220M16	C 15, 18	
CKDYF103Z50	C 16, 17, 19, 20, 22	
CEA220M10	C 21	
CEA221M6R3	C 23	
VTT-021	L 1 1.2mH	
VKR-001	Fuse holder	
VEC-028	Spacer	
VEC-101	Isolater	
VBA-003	Screw	

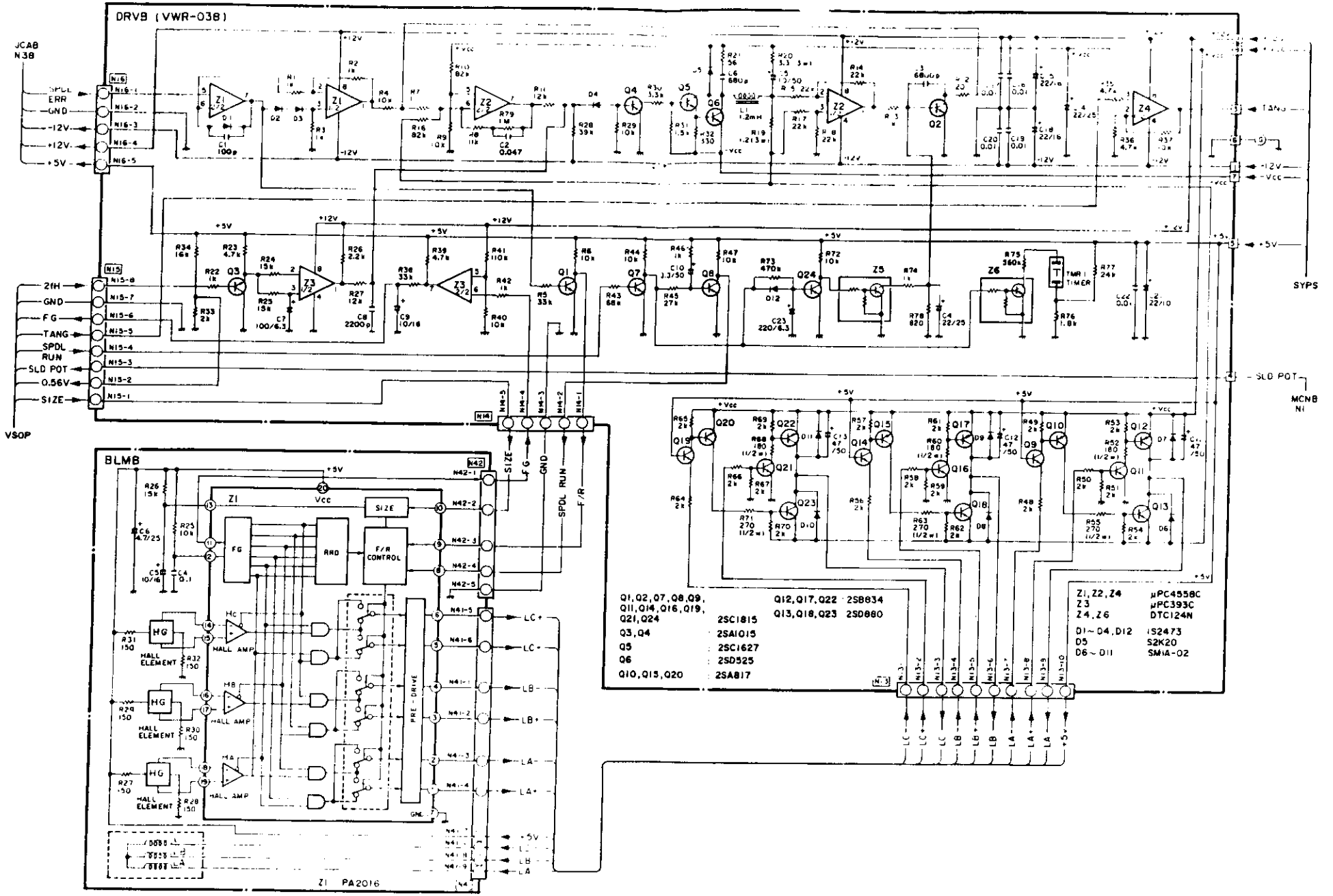
3-3. DRV8 (VWR-038) AND BLMB

A

B

C

D



1

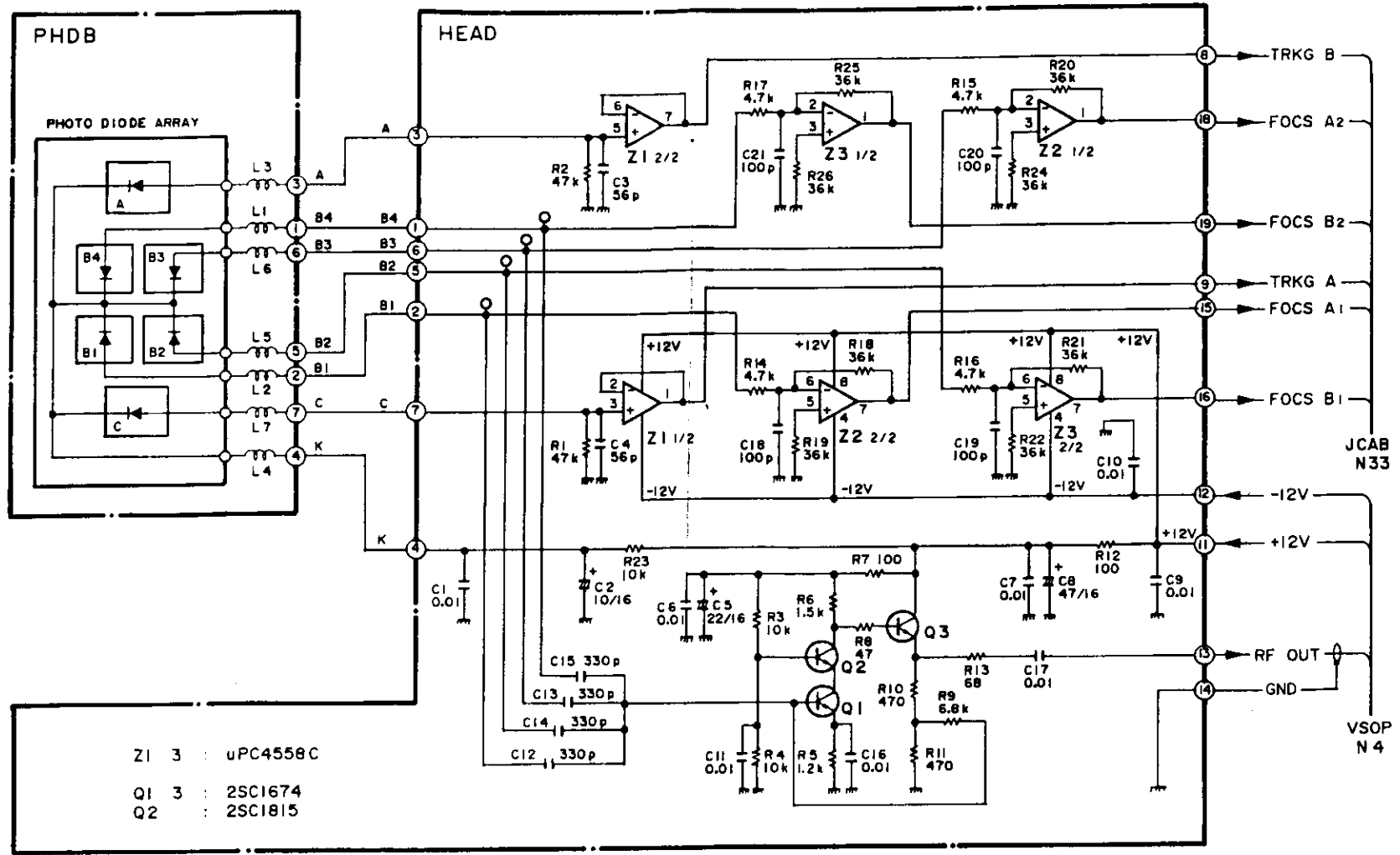
2

3

4

5

6



A
B
C
D

A
B
C
D

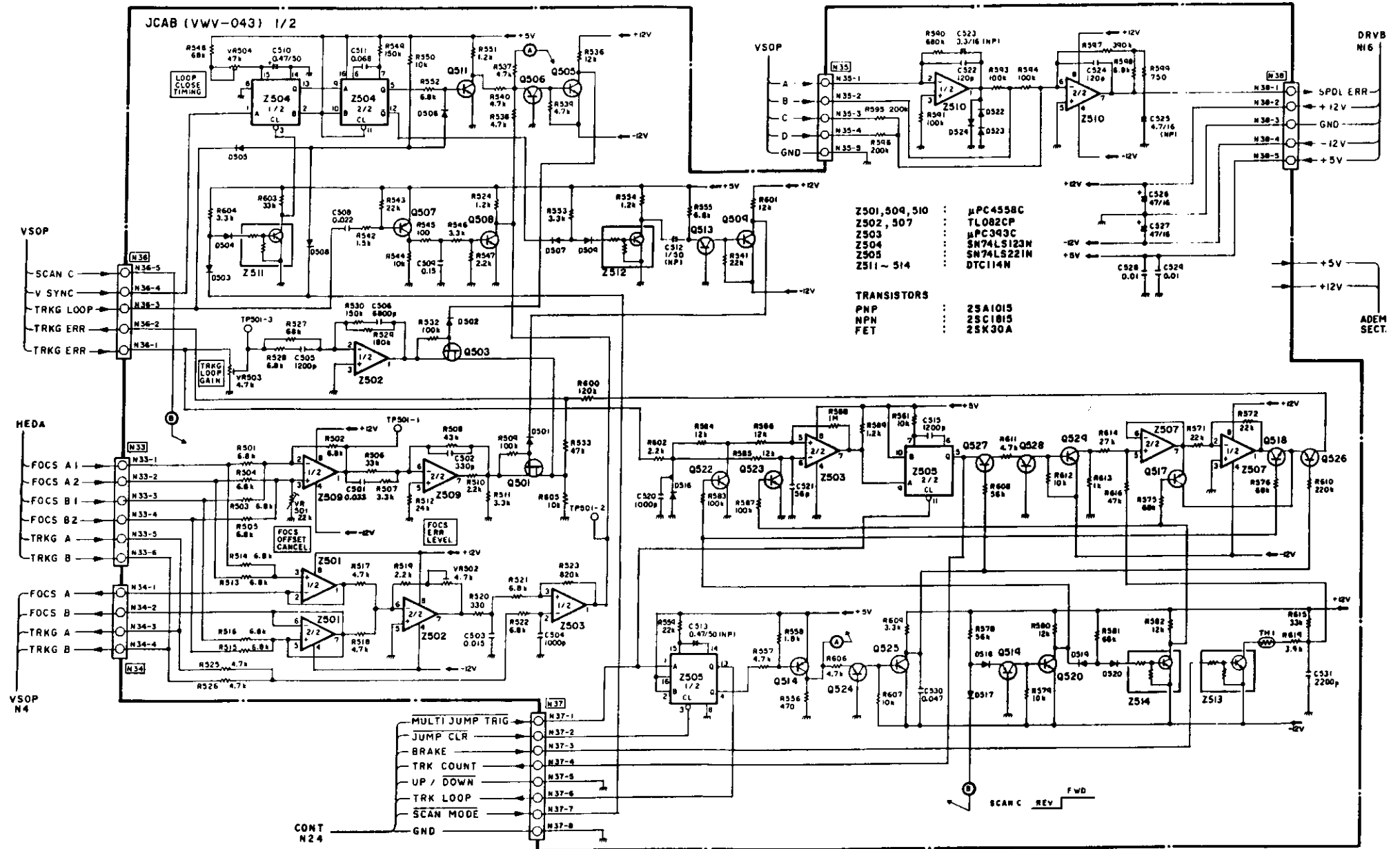
RFAM(VWV-042)

Part No.	Ref No.,	Descriptions
UPC4558C	Z	1- 3
2SC1674-L/K (2SC2786-L/K)	Q	1, 3
2SC1815-Y	Q	2
RD1/4PM000J	R	1- 17, 19, 22- 24, 26
RN1/4PR3602F	R	18, 20, 21, 25
CKDYF103Z50	C	1, 6, 7, 9- 11, 16, 17
CEA100M16	C	2
CCDSL560J50	C	3, 4
CEA220M16	C	5
CEA470M16	C	8
CCDSL331K50	C	12- 15
CCDSL101J50	C	18- 21
VTF-011	L	1- 7
VKP-315		Conn.cords
VKP-314		Conn.cords

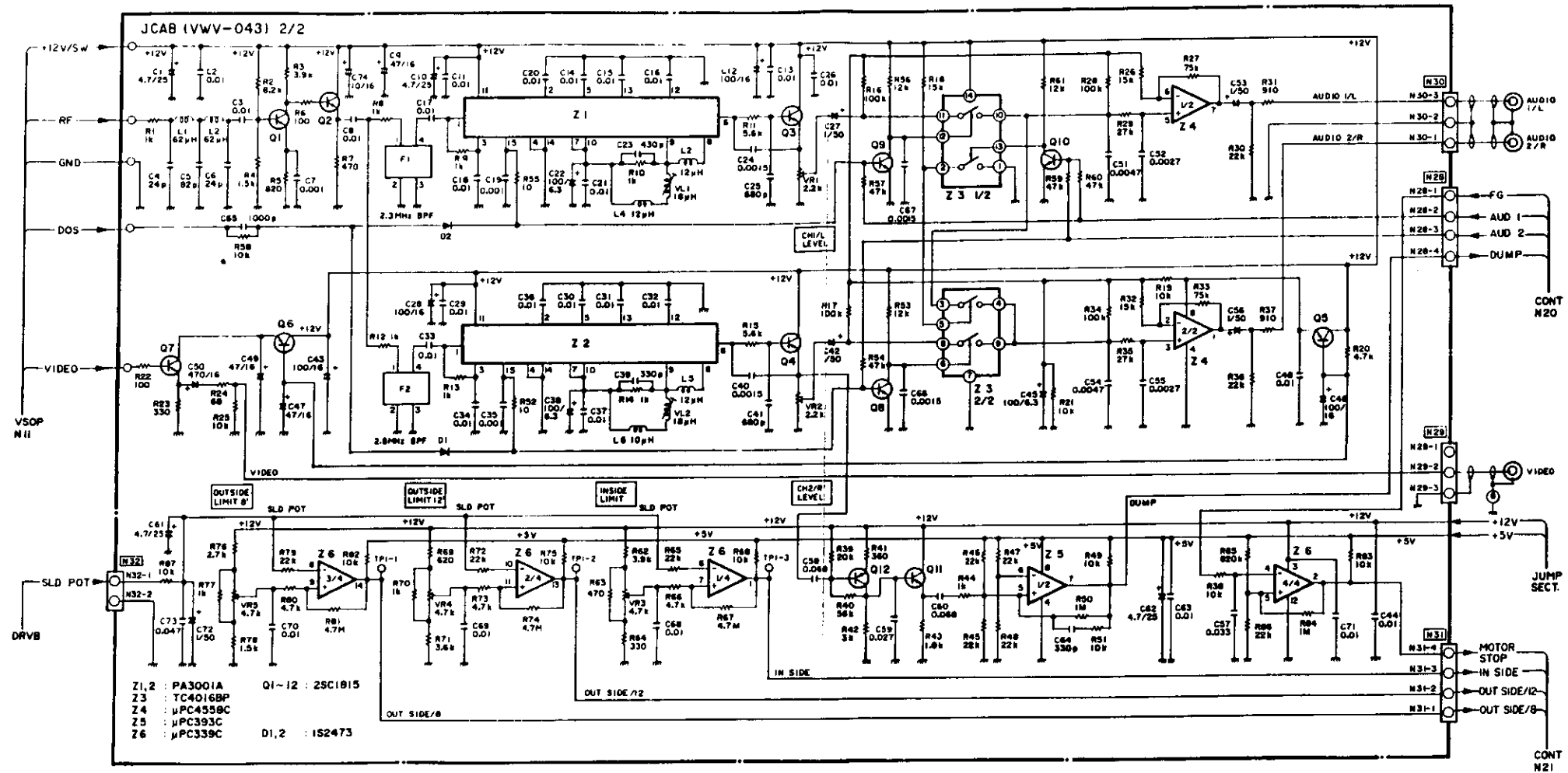
Part No.	Ref No.,	Descriptions
PA3001A	Z 1, 2	
TC4016BP	Z 3	
UPC4558C	Z 4,501,509,510	
(NJM4558D)		
UPC393C	Z 5,503	
UPC339C	Z 6	
TL082CP	Z 502,507	
SN74LS123N	Z 504	
(HD74LS123P)		
SN74LS221N	Z 505	
(HD74LS221P)		
DTC114F	Z 511-514	
2SC1815-Y/GR	Q 1- 3, 7,525,529	
2SC1815-O/Y/GR	Q 4- 6, 8- 11,505,508,509, 511,517,518,520,522,523	
2SC1815-O/Y/GR	Q 12,506,507,513,514,519,524, 526-528	
2SK30A-Y	Q 501,503	
1S2473	D 1, 2,501-509,516-520,522- 524	
RD1/4PM000J	R 1- 87,501-512,517-530 532,533,536-559,561,571 572,575,576,578-591,593-616 618,619	
RN1/4PR6001F	R 513-516	
VCP-025	VR 1, 2 2.2k	
VCP-006	VR 3- 5,502,503 4.7k	
VCP-008	VR501 22k	
VCP-009	VR504 47k	
CEA4R7M25	C 1, 10, 61, 62	
CKDYF103Z50	C 2, 3, 8, 11, 13- 18, 20, 21, 26, 29- 34, 36, 37, 44, 48, 63, 68- 71,520,529	
CCDCH240J50	C 4, 6	
CCDCH820J50	C 5	
CKDYB102K50	C 7, 19, 35, 65,504,520	
CEA470M16	C 9, 47, 49,526,527	
CEA101M16	C 12, 28, 43, 46	
CEA101M6R3	C 22, 38, 45	
CCDSL431J50	C 23	
CQMA152J50	C 24, 40	
CKDYB681K50	C 25, 41	
CEA010M50	C 27, 42, 53, 56, 72	
CCDSL331J50	C 39,502,518	
CEA471M16	C 50	
CQMA472J50	C 51, 54	
CQMA272J50	C 52, 55	
CKDYF333Z50	C 57	
CQMA683J50	C 58, 60,511	
CQMA273J50	C 59	
CKDYB331K50	C 64	

Part No.	Ref No.,	Descriptions
CKDYB152K50	C 66, 67	
CKDYF473Z50	C 73	
CEA100M16	C 74	
CQMA333J50	C 501	
CQMA153J50	C 503	
CQMA122J50	C 505	
CQMA682J50	C 506	
CQMA223J50	C 508	
CQMA154J50	C 509	
CEAR47M50	C 510,513	
CEA010M50NP	C 512	
CEAR47M50NP	C 513	
CQMA122J50	C 515	
CCDSL560J50	C 521	
CCDSL121J50	C 522,524	
CEA3R3M16NP	C 523	
CEA4R7M16NP	C 525	
CQMA473J50	C 530	
CQMA222J50	C 531	
CKDYB021K50	C 532	
VTL-048	L 1, 2 62uH	
(VTL-068)		
VTL-024	L 3, 5 12uH	
(VTL-062)		
VTL-024	L 4 12uH	
(VTL-062)		
VTL-023	L 6 10uH	
(VTL-061)		
VTF-006	VL 1, 2 18uH	
(VTF-021)		
VTF-051	F 1 2.3MHz BPF	
VTF-052	F 2 2.8MHz BPF	

3-5. JCAB (VWV-043)
JCAB / JUMP SECTION



JCAB / ADEM SECTION



- Z1,2 : PA3001A
- Z3 : TC4016BP
- Z4 : μPC4559C
- Z5 : μPC393C
- Z6 : μPC339C
- Q1-12 : 2SC1815
- D1,2 : 1S2473

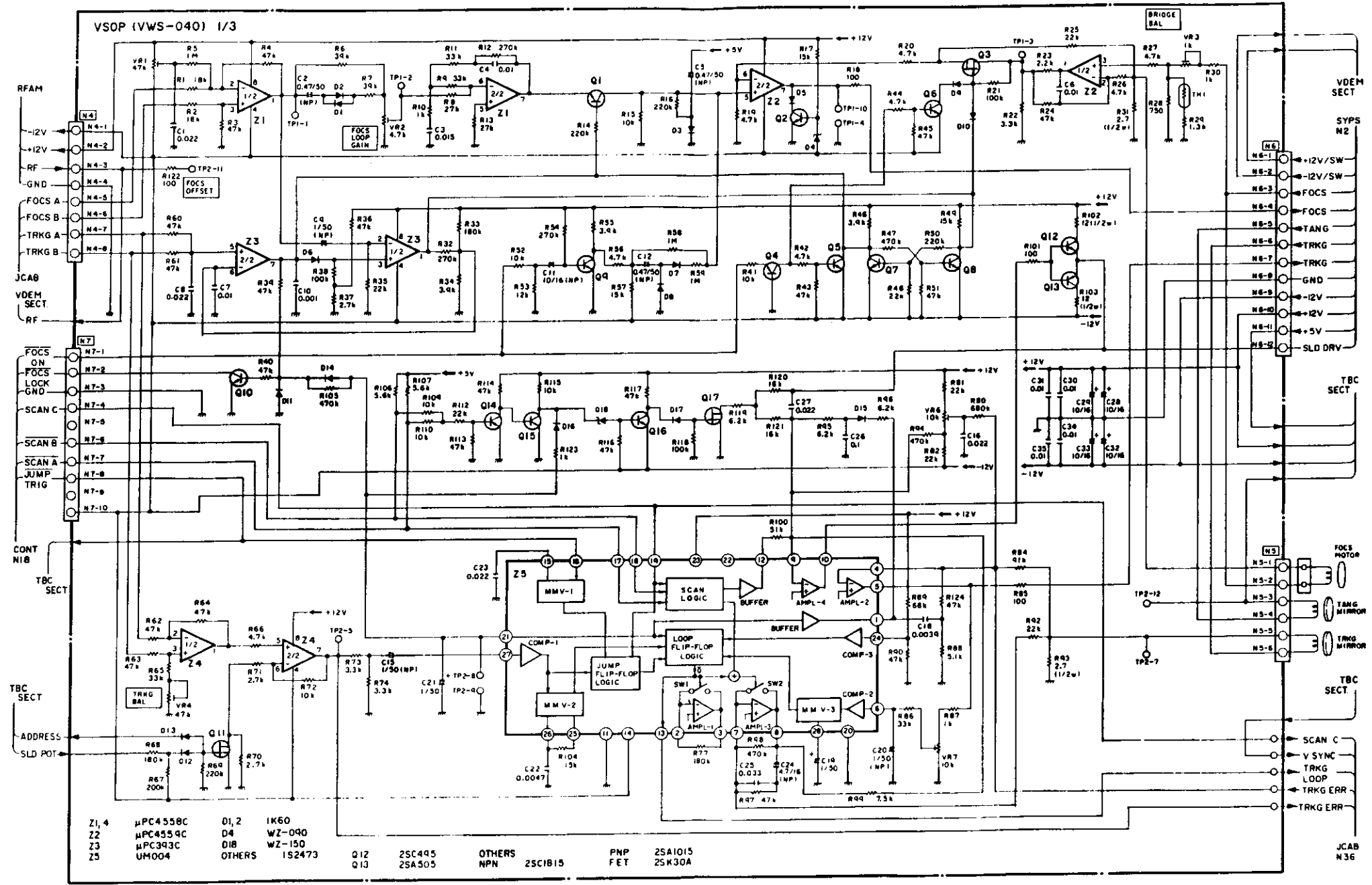
3-6. VSOP (VWS-040), CPCB (VWV-028)
VSOP / FTS SECTION

A

B

C

D



Z1, 4	μPC4558C	D1, 2	1K60	Q12	25C445	OTHERS	NPN	25A1015
Z2	μPC4559C	D4	WZ-090	Q13	25A505	OTHERS	PNP	25K30A
Z3	μPC393C	D18	WZ-150				FET	
Z5	UM004	OTHERS	1S2473					

1

2

3

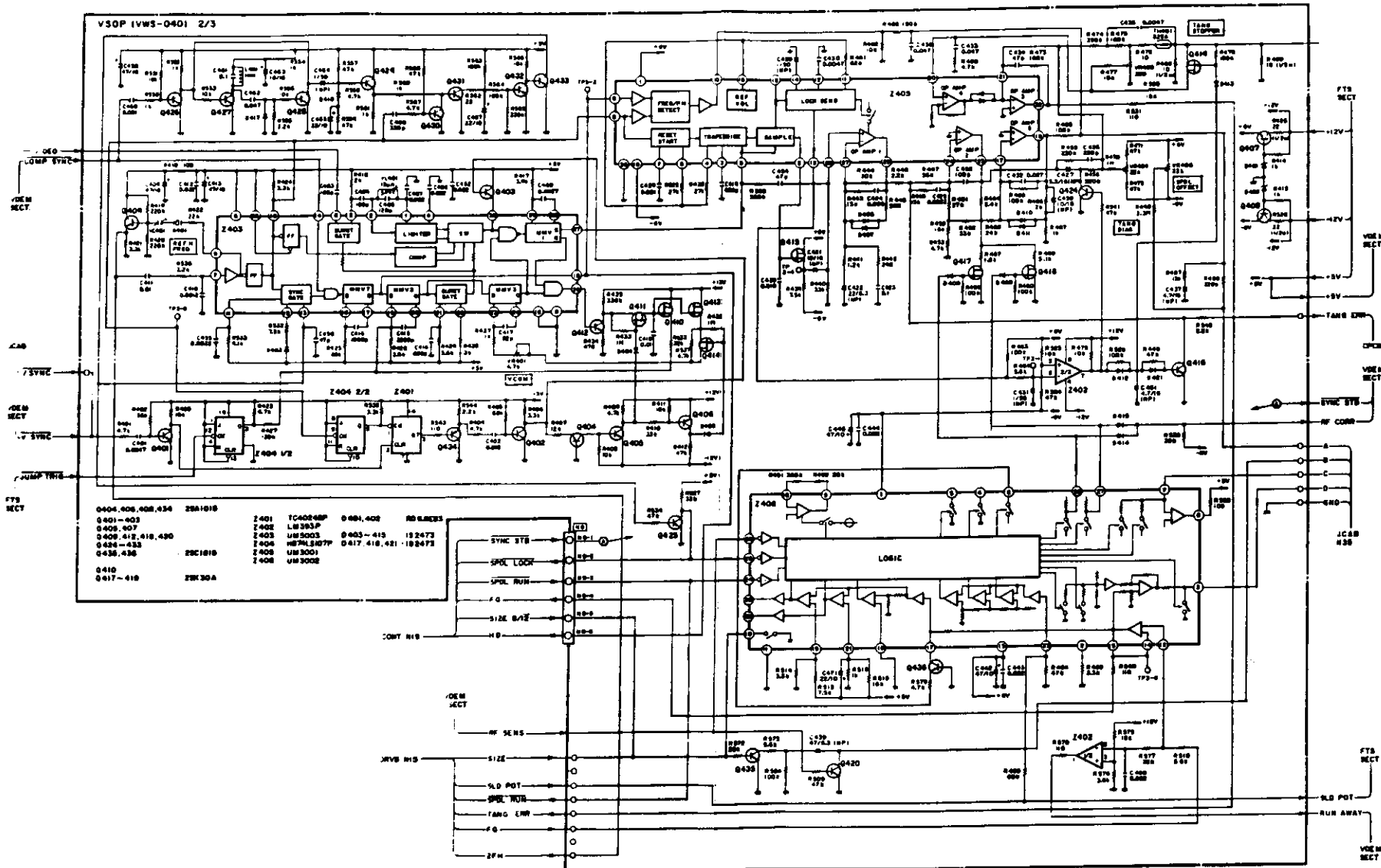
21

4

5

6

VSOP / TBC SECTION



0404, 406, 408, 434	28A1010	Z401	TC4024BP	0 481, 402	NO LABELS
0401-403		Z402	LM393P	0 403-410	182473
0405, 407		Z403	UM3003	0 417, 418, 421	182473
0409, 412, 418, 430		Z404	HE74LS127P		
0438-433	28C1010	Z405	UM3001		
0436, 436		Z406	UM3002		
0410					
0417-419	28K30A				

VSOP (VWS-040)

Part No.	Ref No.,	Descriptions
UPC4558C (NJM4558D)	Z 1, 4	
UPC4560C (UPC4559C)	Z 2	
LM393P (UPC393C)	Z 3,402	
UM4004	Z 5	
UA5001	Z 201	
UA5002	Z 202	
TC4024BP (MB84024BM)	Z 401	
UM5003	Z 403	
HO74LS107P (SN74LS107AN)	Z 404	
UM3001	Z 405	
UM3002 (UM3002A)	Z 406	
2SC1815-O/Y/GR	Q 1, 2, 5- 8, 10, 14- 16, 201,202,205-210,212-219,401- 403,405,409,412,416,420,424- 433,436	
(2SC1740-Q/R)R		
2SK30A-Y/GR	Q 3, 17,410,411,413-415,417- 419	
2SA1015-O/Y/GR	Q 4,203,211,404,406,434	
2SC1815-Y/GR	Q 9,435	
2SK30A-Y	Q 11	
2SC495-O/Y	Q 12,407	
2SA505-O/Y	Q 13,408	
2SK192A-Y (2SK19TM-Y)	Q 204	
DA90-R	D 1, 2,203	
1S2473	D 3, 5- 17,202,204,206-208, 403-415,417,418,421	
RD9.1EB3	D 4	
RD15EB3	D 18	
RD10EB2	D 201,205	
RD6.8EB3 (EQA01-07R2)	D 401,402	
RD1/4PM000J	R 1- 30, 32- 74, 77, 80- 82, 84- 90, 92, 94-101,104-107, 109,110,112-124,201-248,250- 279,282-284,401-412,414-425, 427-479,483-492,509,518,523- 525,527-534,536-544,550-569, 572,573,575-581	
RD1/2VS000J	R 31, 93,102,103,426,480,526	
RN1/4PR0000F	R 513-516	
VCP-029	VR 1, 4 47k	
VCP-026	VR 2,204,401 4.7k	
VCP-024	VR 3,201,202 1K	
VCP-027	VR 6, 7 10K	
VCP-028	VP203,404,406 22K	
VCP-022	VR405 220	

Part No.	Ref No.,	Descriptions
CKDYF223Z50	C 1, 8, 16, 27,406,407,412, 443,444,452,469	
CEAR47M50NP	C 2, 5, 12	
CQMA153J50	C 3	
CQMA103J50	C 4,418	
CKDYF103Z50	C 6, 7, 30, 31, 34, 35,201, 203,206,207,209,210,218,220, 221,223,225-230,239,240,249- 252,265,269,272,277-279,411	
CEA010M50NP	C 9, 15, 20,261,264,428,431, 464	
CKDYB102K50	C 10,222,453,460	
CEA100M16NP	C 11,421,459	
CQMA392J50	C 18	
CEA010M50	C 19, 21	
CQMA472J50	C 22,401,430,435	
CQMA223J50	C 23	
CEA4R7M16NP	C 24,437,451	
CQMA333J50	C 25,262,281	
CQMA104J50	C 26,423	
CEA100M16	C 28, 29, 32, 33,202,204,208, 238,241,247,248,253,257,266, 275,276,285,287,463	
CCDSL271J50	C 205,217	
CCDCH560J50	C 211,212	
CCDCH080D50	C 213,215,232,234	
CCDCH220J50	C 214	
CCDSL181J50	C 216,255	
CEA470M16	C 219,231,270	
CCDSL220J50	C 224	
CCDCH150J50	C 233	
CCDCH330J50	C 235,236	
CCDUJ470J50	C 237	
CCDSL510J50	C 242,284	
CCDSL161J50	C 243	
CCDSL201J50	C 244,245	
CCDSL151J50	C 246,267	
CCDSL101J50	C 254,403,404,450	
CQMA823J50	C 256	
CCDSL820J50	C 258,260,417	
CCDSL221J50	C 259,426	
CQMA563J50	C 263	
CCDCH360J50	C 268	
CCDSL150J50	C 271	
CCDSL121J50	C 273,283,405	
CCDSL620J50	C 274	
CCDCH470J50	C 280	
CEA220M16NP	C 282	
CQMA183J50	C 402,420	
CQMA272J50	C 408	

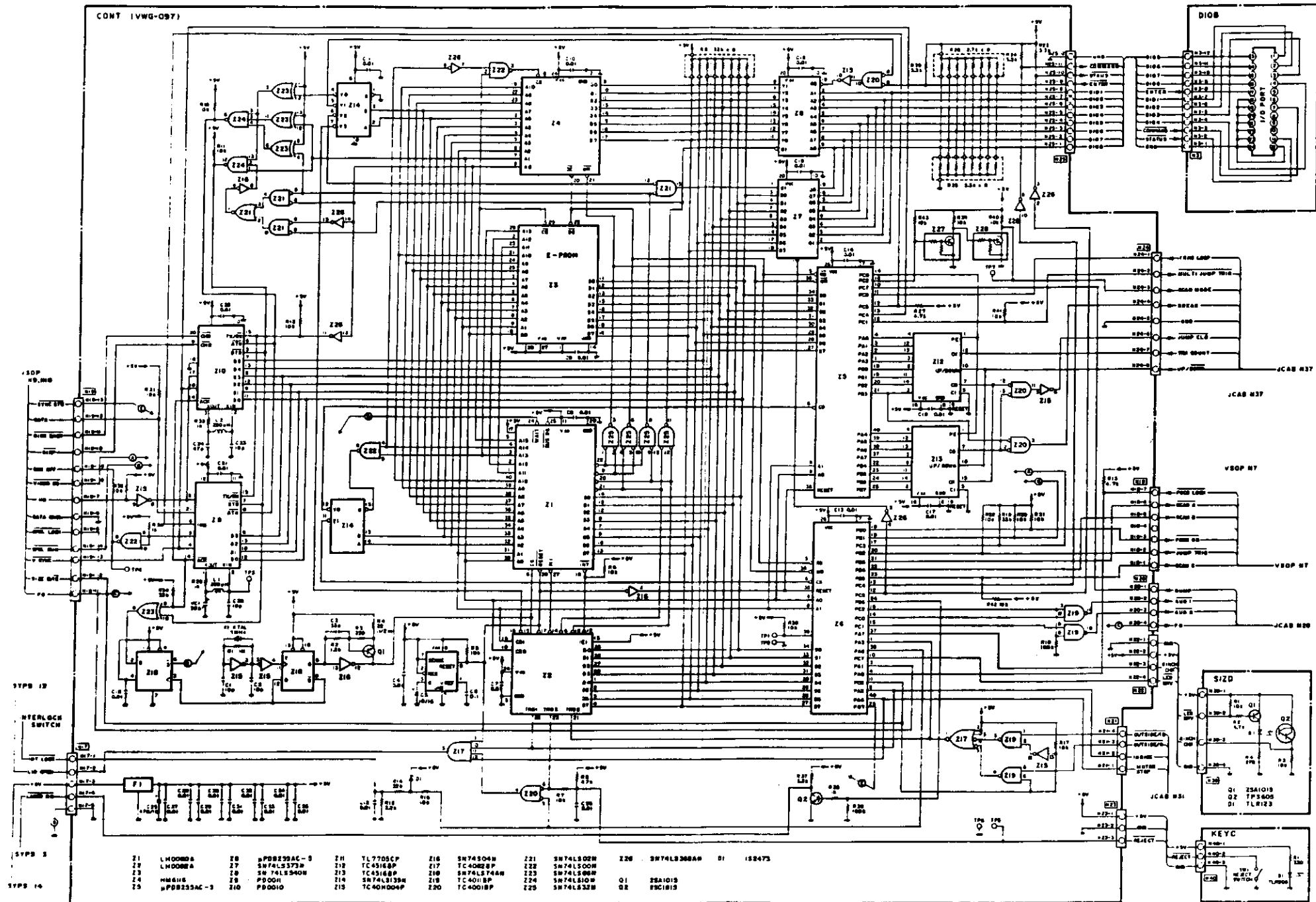
VSOP (VWS-040) cont.

Part No.	Ref No.,	Descriptions
CEA470M10	C 409,413,442,445,458	
CQMA122J50	C 410	
CQSH102J50	C 414	
CQMA332J50	C 415	
CQSH681J50	C 416,419	
CEA220M6R3NP	C 422	
CQMA683J50	C 424	
CQMA222J50	C 425,455	
CEA3R3M16NP	C 427	
CQMA102J50	C 429	
CQMA273J50	C 432	
CQMA473J50	C 433,436,462	
CCDSL470J50	C 434,454,456	
CEA470M6R3NP	C 439	
VCE-007	C 461	0.1uF
CEA220M10	C 465,467,471	
CCDSL331J50	C 466	
VCM-004 (VCM-005)	VC401	
VTL-028 (VTL-065)	L 201	27uH
VTL-026 (VTL-064)	L 202-205,212,213	18uH
VTL-015 (VTL-060)	L 206,207	2.2uH
VTL-030 (VTL-066)	L 208	39uH
VTL-051 (VTL-067)	L 209	43uH
VTL-024 (VTL-062)	L 210	12uH
VTL-056 (VTL-063)	L 211	16uH
VTL-040 (VTL-073)	L 214	270uH
VTL-043 (VTL-069)	L 215	470uH
VTL-076	L 401	1mH
VTF-019 (VTF-022)	VL401	12uH
VSS-005 (VSS-010)	X 401	31.5kHz
D33A D22A	TH 1 TH401	
VTF-012 (VTF-030) (VTF-013)	DL201	1H D1y

CPCB (VWV-028)

Part No.	Ref No.,	Descriptions
2SC1815-0/Y/GR	Q 1, 2, 4- 8	
(2SC2021-Q/R/S) (2SC1740-Q/R/S)		
2SA1015-0/Y/GR	Q 3	
SVC321SP-B1/D1	D 1	
RD1/4PM000J	R 1- 32	
VCP-023	VR 1	470
CEA4R7M16NP	C 1	
CKDYB222K50	C 2	
CEA470M10	C 3- 7, 12, 13, 15, 16	
CEA100M16	C 4, 5, 15, 16	
CEA470M10	C 6	
CKDYB102K50	C 8	
CCDSL101J50	C 9, 14	
CKDYF103Z50	C 10, 17	
CCDSL121J50	C 11	
VTL-023 (VTL-061)	L 1	10uH
VTF-032		0.5uS D1y

3-7. CONT (VWG-097), KEYC (VWG-098),
 SIZD (VWG-099) AND DI0B (VWG-100)



Z1	LH0080A	Z8	MPB255AC-3	Z15	TL7705CP	Z16	SN74S04N	Z21	SN74LS02N	Z26	SN74LS388AN	D1	152475
Z2	LH0080A	Z7	SN74LS373N	Z18	TC4516BP	Z17	TC4082BP	Z22	SN74LS00N	Z27	SN74LS00N		
Z3	MPB255AC-3	Z6	SN74LS140N	Z19	TC4516BP	Z18	SN74LS140N	Z23	SN74LS00N	Z28	SN74LS00N		
Z4	MPB255AC-3	Z5	PD0010	Z20	SN74LS139N	Z19	TC4001BP	Z24	SN74LS10N	Q1	2SA1015		
Z5	MPB255AC-3	Z10	PD0010	Z21	TC40H04P	Z20	TC4001BP	Z25	SN74LS32N	Q2	1FC1815		

STPB 13
 NEELOCK SWITCH

STPB 5

STPB 14

A
 B
 C
 D

A
 B
 C
 D

CONT (VWG-097)

Part No.	Ref No.,	Descriptions
LH-0080A (LH-0080)	Z 1	
LH-0082A (LH-0082) (MPD2764D)	Z 2	
HM6116P-4	Z 4	
UPD8255AC-5	Z 5, 6	
SN74LS373N	Z 7	
SN74LS540N	Z 8	
PD0011	Z 9	
PD0010	Z 10	
TL7705CP	Z 11	
TC4516BP	Z 12, 13	
SN74LS139N (HD74LS139P)	Z 14	
TC40H004P	Z 15	
SN74S04N (HD74S04P)	Z 16	
TC4082BP	Z 17	
SN74LS74AN (HD74LS74AP)	Z 18	
TC4011BP	Z 19	
TC4001BP	Z 20	
SN74LS02N (HD74LS02P)	Z 21	
SN74LS00N (HD74LS00P)	Z 22	
SN74LS86N (HD74LS86P)	Z 23	
SN74LS10N (HD74LS10P)	Z 24	
SN74LS32N	Z 25	
SN74LS368AN (HD74LS368AP)	Z 26	
DTC124N	Z 27, 28	
2SA1015-0/Y/GR	Q 1	
2SC1815-0/Y/GR	Q 2	
1S2473	D 1	
RD1/4PM000J	R 1- 3, 5- 8, 10- 24, 27- 43	
RD1/2VS220J	R 4	
VCN-091	R 9	33k
VCN-097	R 25	3.3k
VCN-035	R 26	2.7k
CCDSL100D50	C 1, 2, 20, 23	
CCDSL330J50	C 3	
CKDYF103Z50	C 4, 7- 19, 21, 22, 26- 35	
CEA100M16	C 5	
CQMA104J50	C 6	
CCDSL470J50	C 24	
CEA471M10	C 25	
VCM-003	VC 1	50pF

Part No.	Ref No.,	Descriptions
VTL-155	L 1	200uH
VTL-039	L 2	220uH
VTH-005	F 1	
VSS-023	X 1	5MHz
VKH-018		40P socket
VKH-019		28P socket

KEYC (VWG-098)

Part No.	Ref No.,	Descriptions
TLR205	D 1	
RD1/4PM331J	R 1	
VSC-004	SW 1	

SIZD (VWG-099)

Part No.	Ref No.,	Descriptions
2SA1015-0/Y/GR	Q 1	
TPS605	Q 2	
TLR123	D 1	
RD1/4PM000J	R 1- 4	
VNL-179		Sensor cover

DIOB (VWG-100)

Part No.	Ref No.,	Descriptions
VKN-133		24P connector

Note: KEYC, SIZD and DIOB are not supplied as service parts.

4. EXPLODED VIEWS AND PARTS LISTS

TOP VIEW PARTS LIST

No.	Parts No.	Description	No.	Parts No.	Description
1.	VXX-149	Hood assembly	61.	ACZ 30P060	FMC
2.	VNE-244	Plate	62.	AMZ 30P080	FMC
3.	VNE-286	Hood lever	63.	BBZ 30P080	FZK
4.	VXA-053	Hood hinge	64.	BCZ 30P050	FMC
5.	VXX-096	Turntable assembly	65.	BMZ 26P050	FMC
6.	—	Top housing	66.	BMZ 30P040	FZK
7.	VXX-041	Disc clammer	67.	BMZ 30P060	FZK
8.	VEB-038	Washer	68.	BMZ 30P080	FZK
9.	VNE-305	Interlock base	69.	CMZ 26P060	FMC
10.	VNL-141	Protector	70.	CMZ 26P080	FZK
11.	VBH-059	Spring	71.	IPZ 30P080	FMC
12.	VNL-022	Collar	72.	PMA 26P060	FMC
13.	VLA-060	Interlock pin	73.	PMA 30P060	FMC
14.	VLL-089	Shipping screw	74.	PMA 30P080	FMC
15.	VNE-276	Shipping plate	75.	PMA 40P120	FZK
16.	VRW-091	Caution tag	76.	PMB 26P060	FMC
17.	VXX-086	Bottom cover assembly	77.	PMB 30P080	FMC
18.	VED-008	Cushion	78.	PMB 30P100	FZK
19.	VWG-097	CONT	79.	PMZ 20P030	FMC
20.	VHA-012	Lens cap	80.	SMK 26H080	FZK
21.	VNH-027	Focus motor cover	81.	VPZ 30P060	FMC
22.	VEC-153	Yoke seal	82.	WA 30F080	N100
23.	VMX-001	Clammer magnet	83.	WB 50	FMC
24.	VXA-166	Yoke assembly	84.	WW 50	FBT
25.	VNV-018	Centering hab	85.	ZMD 30H040	FBT
26.	VBH-034	Spring	86.	ZMD 30H250	FBT
27.	VDM-007	Spacer			
28.	VXM-029	Spindle motor			
29.	VLL-092	Holding bolt			
30.	VLA-061	Nut			
31.	VLL-222	Adjustment bolt			
32.	VNM-001	Fin			
33.	VCG-011	Capacitor			
34.	VEC-063	Capacitor cover			
35.	VSA-006	Power switch			
36.	VEC-151	Flexible ring			
37.	VAC-225	Power switch button			
38.	—	KEYC			
39.	VXX-150	Front panel assembly			
40.	VBH-051	Spring			
41.	VAC-224	Reject key top			
42.	VNK-184	Window(L)			
43.	VKN-198	Window(R)			

1 | 2 | 3 | 4 | 5 | 6

A

A

B

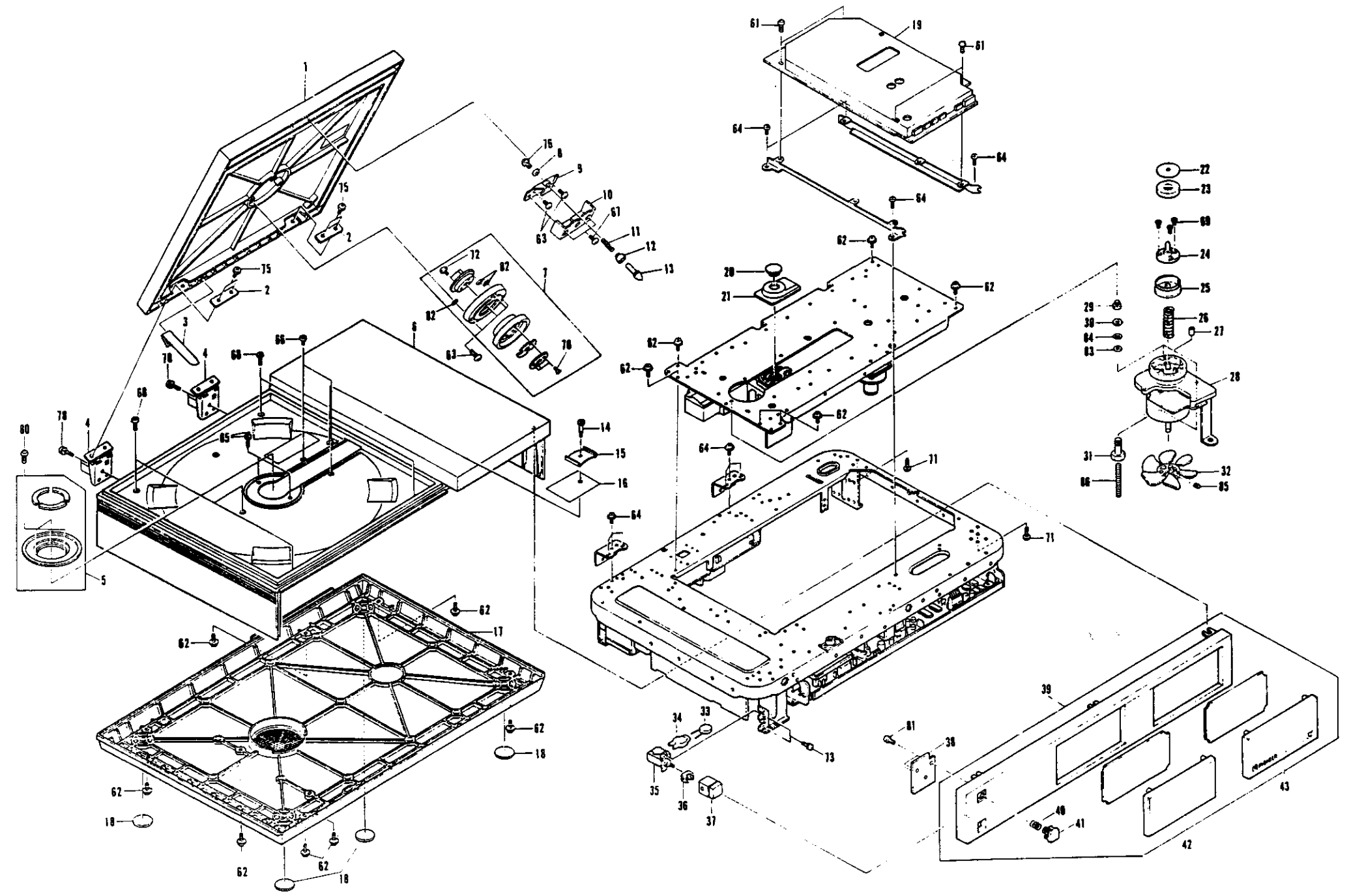
B

C

C

D

D



1 | 2 | 3 | 4 | 5 | 6

1

2

3

4

5

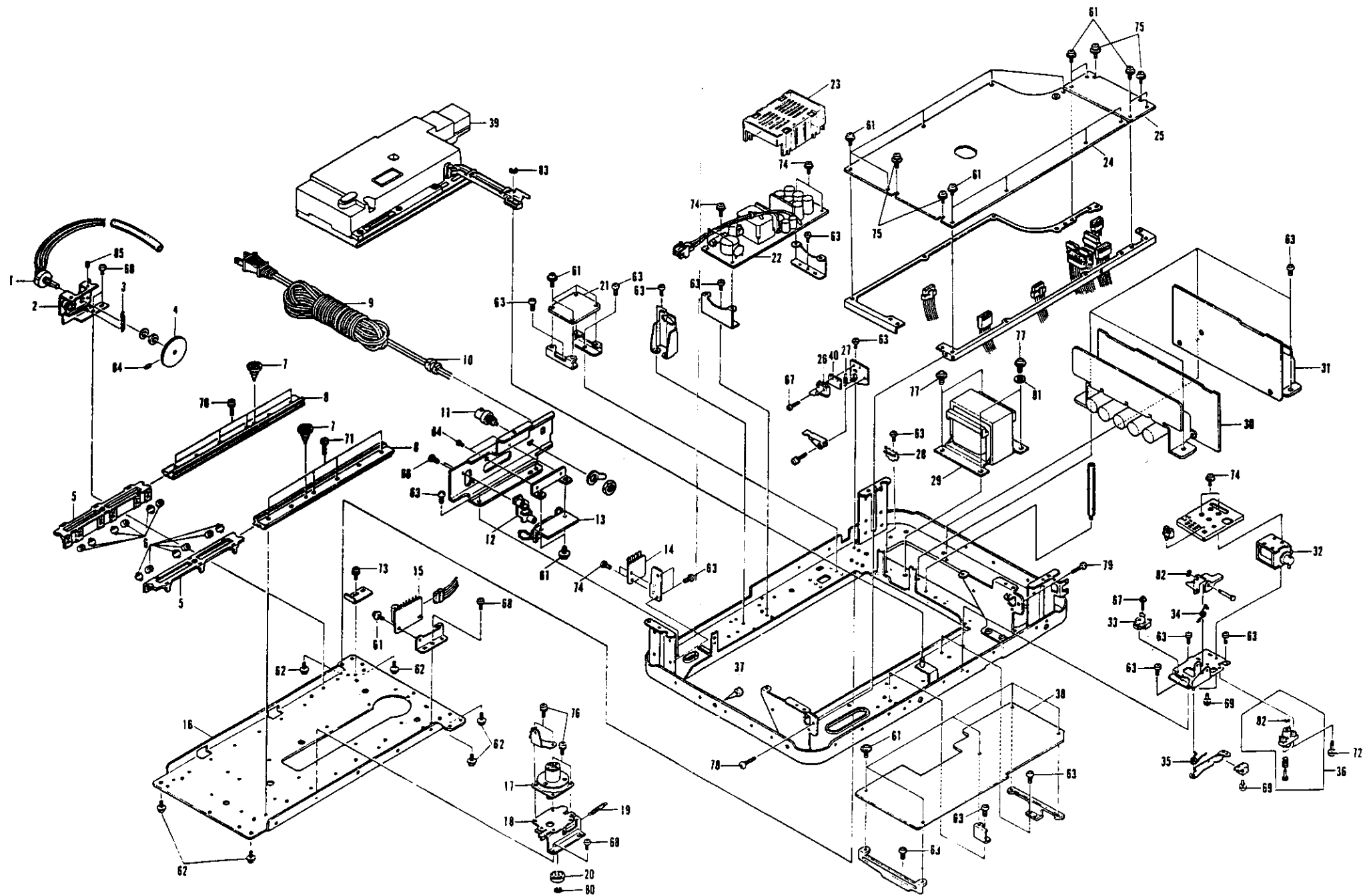
6

A

B

C

D



A

B

C

D

38

6

BOTTOM VIEW PARTS LIST

No.	Parts No.	Description	No.	Parts No.	
1.	VCS-005	Potentiometer	61.	ACZ 30P060	FMC
2.	VXA-059	Gear assembly	62.	AMZ 30P080	FMC
3.	VBH-042	Spring	63.	BCZ 30P050	FMC
4.	VNL-045	Pinion	64.	BCZ 30P050	FZK
5.	VNL-031	Retainer	65.	BMZ 30P060	FZK
6.	VLL-121	Roller	66.	BPZ 30P080	FZK
7.	VXX-006	Retainer pinion assembly	67.	IMZ 20P100	FMC
8.	VNG-002	Rail	68.	PMA 30P050	FMC
9.	VDG-016	Power cord	69.	PMA 30P060	FMC
10.	VEC-027	Cord stopper	70.	PMA 30P120	FMC
11.	VKN-007	BNC jack	71.	PMA 30P120	FRD
12.	VKB-003	2P pin jack	72.	PMA 30P120	FZK
13.	—	DIOB	73.	PMA 40P060	FMC
14.	—	LSFB	74.	PMB 30P060	FMC
15.	—	MCNB	75.	PMB 30P080	FGN
16.	—	Mech. chassis	76.	PMB 30P080	FMC
17.	VXM-030	Slider motor	77.	PMB 40P080	FMC
18.	VXA-054	Motor holder	78.	VCZ 30P080	FMC
19.	VBH-041	Spring	79.	VCZ 30P100	FMC
20.	VNL-028	Pinion	80.	WA 17D035	D025
21.	—	SIZD	81.	WC 50	FMC
22.	VWR-045	LSPS	82.	YE 20	FUC
23.	VNH-023	H.V. cover	83.	YE 30	FUC
24.	VWS-040	VSOP	84.	ZMD 30H060	FBT
25.	VWV-028	CPCB	85.	ZMK 40H080	FBT
26.	VSF-007	Switch			
27.	VBH-040	Spring			
28.	VKC-005	4P terminal			
29.	VTT-034	Power transformer			
30.	VWR-044	SYPS			
31.	VWR-038	DRVB			
32.	VXP-005	Plunger			
33.	VSF-006	Switch			
34.	VBH-045	Spring			
35.	VBH-043	Spring			
36.	VXX-039	Pin guide assembly			
37.	VEB-031	Slider cushion			
38.	VWV-043	JCAB			
39.	VGX-043	Slider assembly			
40.	VEC-099	Insulator			

SLIDER PARTS LIST

No.	Parts No.	Description	No.	Parts No.
1.	—	Dust cover	41.	BMZ 30P060 FMC
2.	VDA-013	H.V. cord assembly	42.	CMZ 30P080 FBT
3.	VEB-032	Bushing	43.	PMA 26P100 FMC
4.	VNE-212	Tube holder	44.	PMA 30P060 FMC
5.	VED-014	Tube cushion	45.	PMA 30P080 FMC
6.	VGN-004 (VGN-005)	Laser tube	46.	PMA 30P100 FMC
7.	VXX-021	Vinyl tube	47.	PMB 30P060 FMC
8.	VDM-001	Insulator pipe	48.	PMB 30P080 FMC
9.	VCN-014	Resistor (47kohms/2W)	49.	PMB 30P100 FMC
10.	—	Radiation shield	50.	PMZ 20P040 FMC
11.	VNL-044	Rack(G)	51.	SMK 30H080 FBT
12.	VNE-261	Grating holder	52.	SMK 30H120 FBT
13.	VGX-022	Grating assembly	53.	VCZ 30P060 FMC
14.	VGX-018	DG lens assembly	54.	WA 26N050 W050
15.	—	Prism	55.	YE 30 FUC
16.	VNE-148	Wave plate holder	56.	ZMR 30H080 FBT
17.	VGX-016	Wave plate assembly		
18.	VGX-024	Servo mirror assembly		
19.	VGX-015	Fixed mirror assembly		
20.	—	Slider base		
21.	VEC-051	Mask plate		
22.	VGX-020	Photo-detector assembly		
23.	VLP-003	Photo-detector spacer		
24.	VWV-042	RFAM		
25.	VGX-026	Objective assembly		
26.	VNH-027	Focus motor cover		
27.	VHA-012	Lens cap		
28.	VNL-029	Rack(N)		

1

2

3

A

A

B

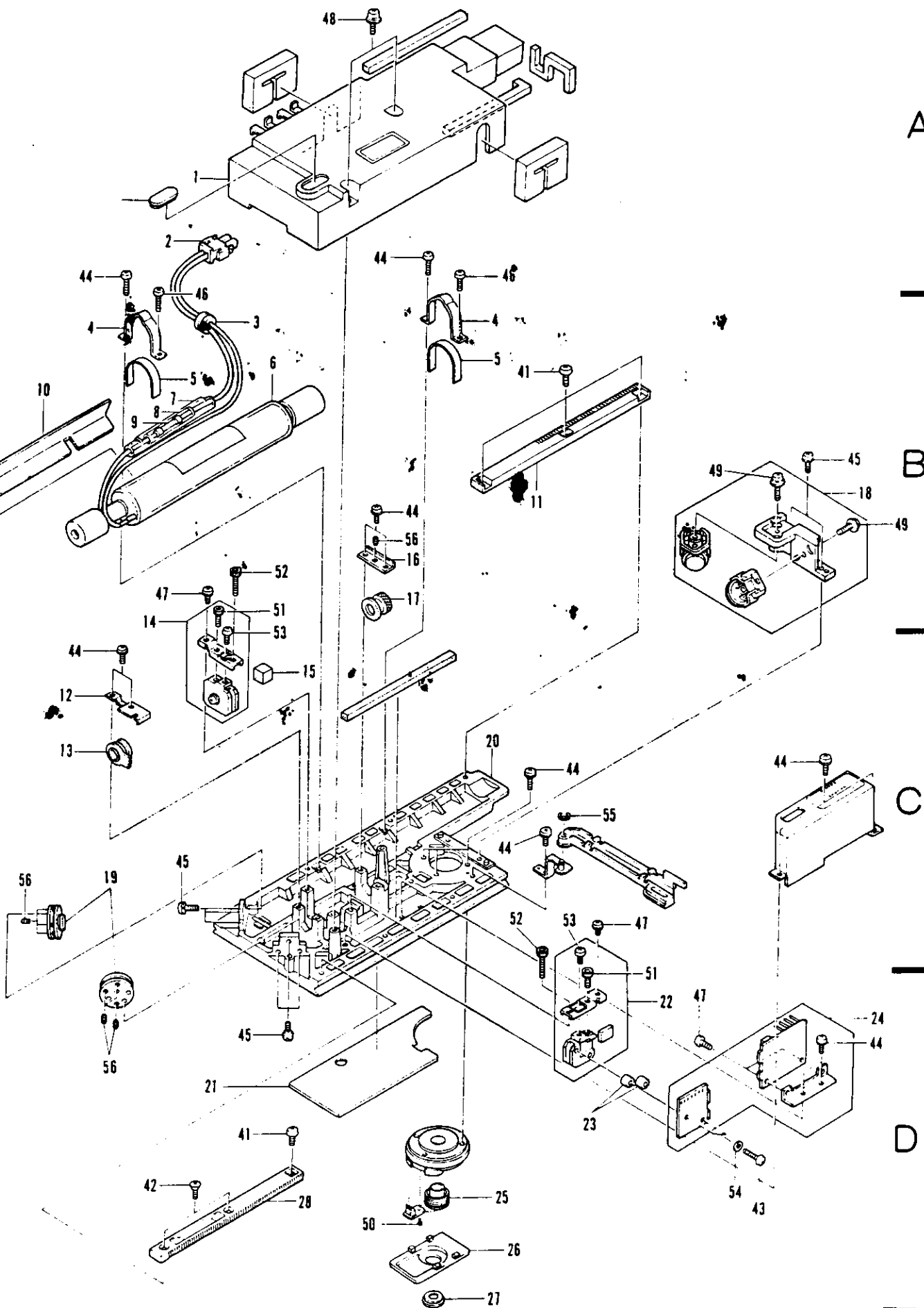
B

C

C

D

D



1

2

3