

# **CHICAGO**

# **GOIN**

# **TWIN RIFLE**

**(MODEL 406)**

## **PARTS CATALOG**

CHICAGO DYNAMIC INDUSTRIES, INC.

1725 DIVERSEY BOULEVARD CHICAGO, ILLINOIS 60614 PHONE (312) 935-4600

INTRODUCTION

THIS PARTS CATALOG HAS BEEN COMPILED TO HELP THE SERVICEMAN IN SELECTING THE PARTS NECESSARY FOR PROPER MAINTENANCE OF CHICAGO COIN GAMES.

WHEN ORDERING PARTS ALWAYS SPECIFY NAME OF UNIT, PART NUMBERS AND A DESCRIPTION OF THE PART AS SHOWN IN THIS CATALOG.

WARRANTY

CHICAGO COIN WARRANTS THE AMPLIFIER AND SOUND UNIT MODULES TO BE FREE FROM DEFECTS IN MATERIAL ARISING FROM NORMAL USAGE FOR ONE YEAR, AND ALL MOTORS FOR 6 MONTHS FROM DATE OF ORIGINAL CONSUMER PURCHASE. WARRANTY COVERS REPLACEMENT OR REPAIR OF THESE MODULES OR MOTORS THROUGH AN AUTHORIZED CHICAGO COIN DISTRIBUTOR.

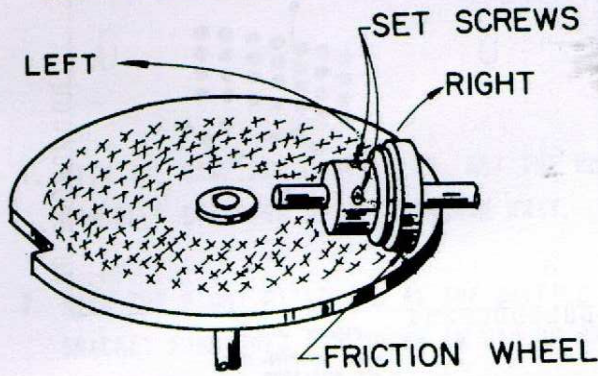
TRANSPORTATION CHARGES ARE THE OBLIGATION OF OWNER.

APRIL 1972

CHICAGO DYNAMIC INDUSTRIES

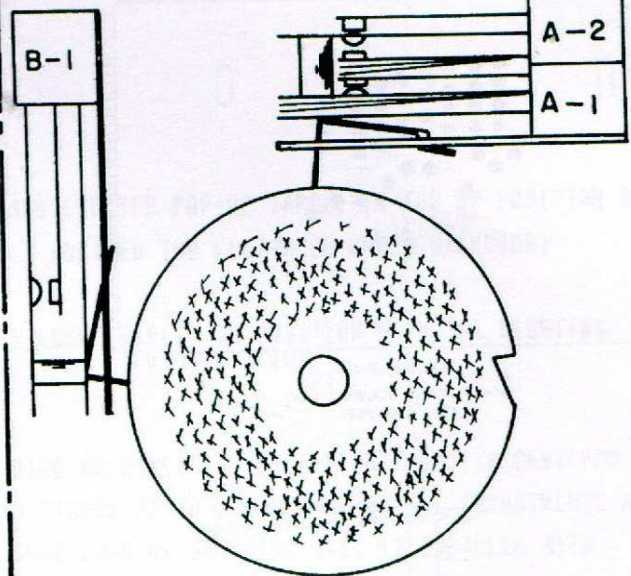
PARTS CATALOG

TIME ADJUSTMENT

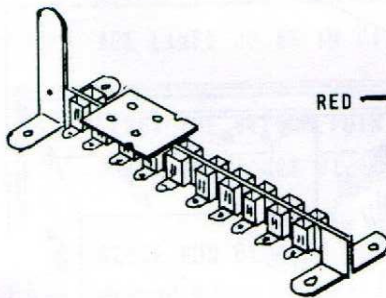


TO SHORTEN GAME TIME  
 LOOSEN SET SCREWS ON FRICTION  
 WHEEL BUSHING. MOVE FRICTION  
 WHEEL TO LEFT. RETIGHTEN SCREWS.

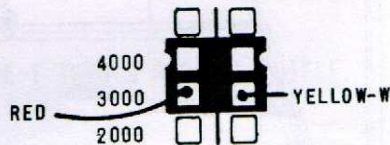
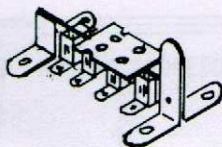
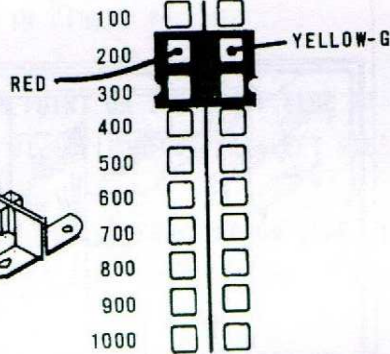
TO INCREASE GAME TIME  
 LOOSEN SET SCREWS ON FRICTION  
 WHEEL BUSHING. MOVE FRICTION  
 WHEEL TO RIGHT. RETIGHTEN SCREWS.



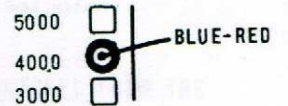
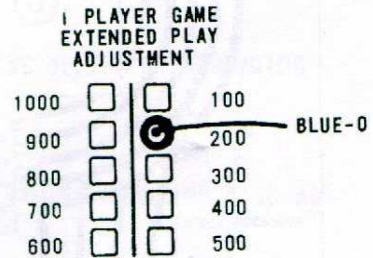
A-1 - MOTOR RUN.  
 A-2 - GAME OVER & GAME START SLIDE.  
 B-1 - EXT. PLAY CONTROL RELAY.



2 PLAYER GAME  
 EXTENDED PLAY  
 ADJUSTMENT



PLUGS IN THESE POSITIONS GIVE  
 EXTENDED PLAY AT 3200 DURING  
 2 PLAYER GAME ONLY.



PLUGS IN THESE POSITIONS GIVE  
 EXTENDED PLAY AT 4200 DURING  
 1 PLAYER GAME ONLY.

IMPORTANT:  
 ALWAYS SET 1 PLAYER GAME EXTENDED PLAY  
 ADJUSTMENT ABOUT 1,000 HIGHER THAN 2  
 PLAYER GAME EXTENDED PLAY ADJUSTMENT.

THESE ADJUSTMENT JACKS ARE LOCATED ON  
 THE EXTREME LEFT INSIDE OF BACK-RACK.

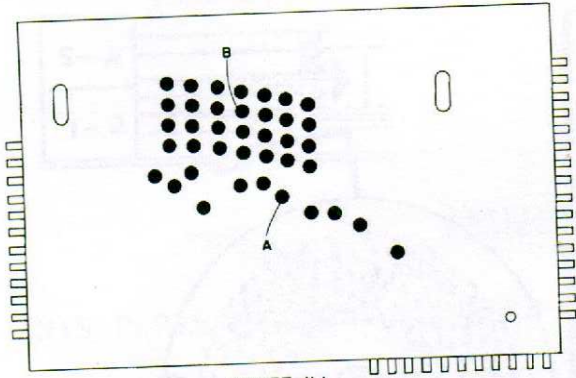


FIGURE # 1  
2nd PLAYER SCANNING DISC  
PLATE 406-2527

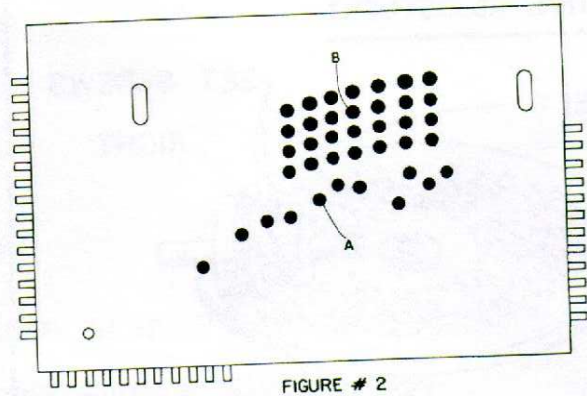


FIGURE # 2  
1st PLAYER SCANNING DISC  
PLATE 406-2526

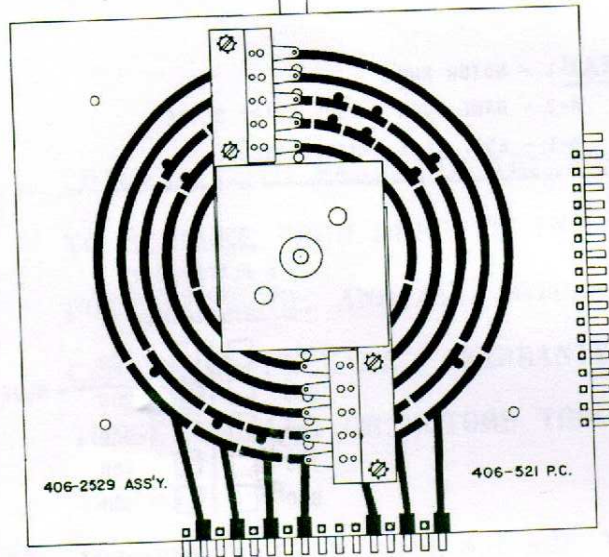
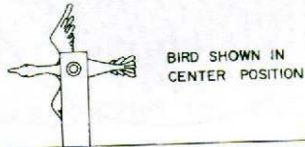


FIGURE # 3  
BIRD UNIT  
PLATE 406-2529  
ARM ASS'Y. 406-2505  
FINGER 386-2536 (2-REQ'D)

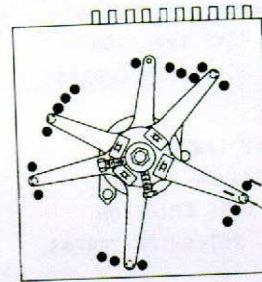


FIGURE # 4  
MIRROR MOTOR  
PLATE 406-2523  
FINGER 406-2524

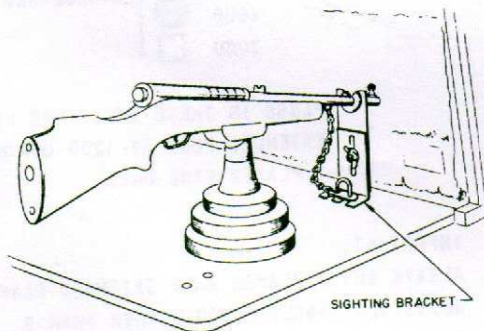


FIGURE # 6

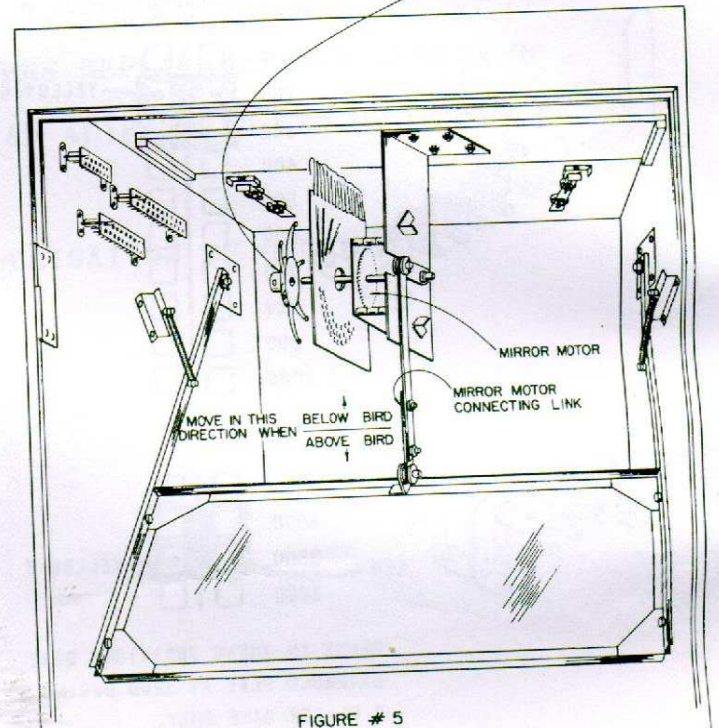
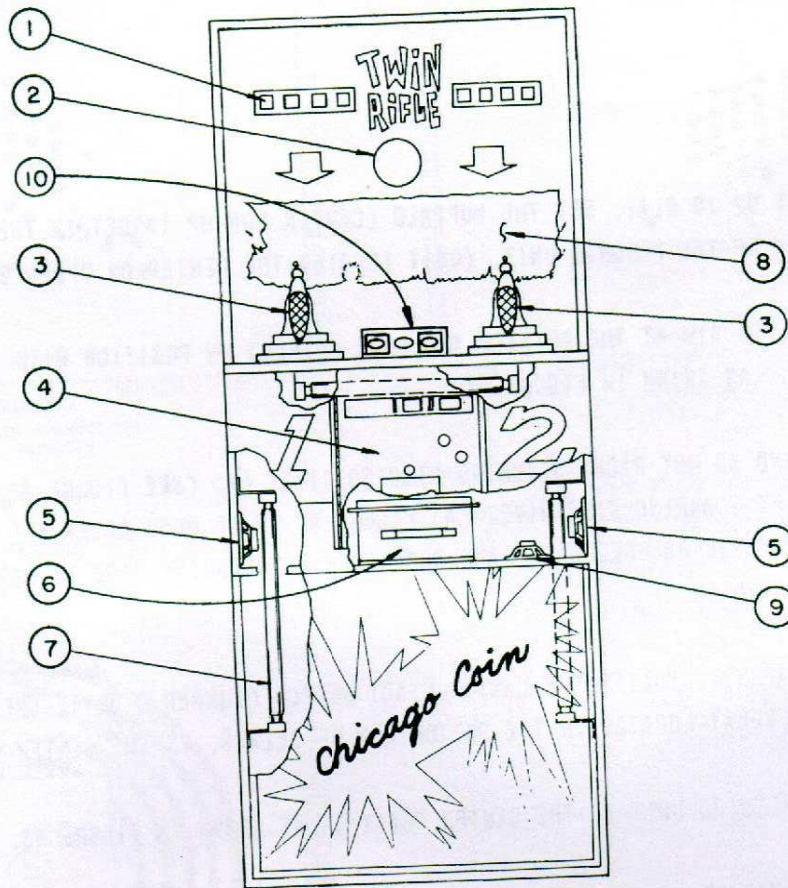


FIGURE # 5

CHICAGO DYNAMIC INDUSTRIES  
PARTS CATALOG

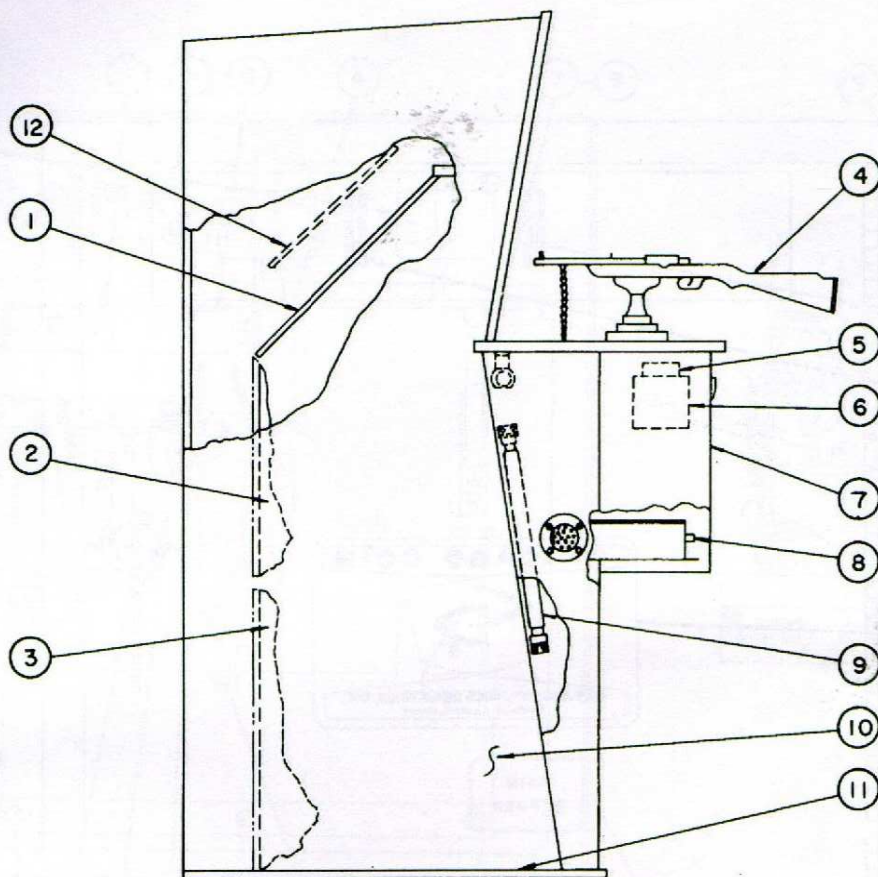
1. WITH THE GAME SET UP TO PLAY, SET THE BUFFALO (CENTER POP-UP TARGET) IN THE UP POSITION BY MANUALLY STEPPING UP THE PROGRAM UNIT. (UNIT LOCATED TOP CENTER ON UPPER BACKDOOR)
2. WITH THE RIGHT RIFLE AIM AT THE BUFFALO AND LOCK (RIFLE) IN POSITION WITH THE SIGHTING BRACKET FURNISHED, AS SHOWN IN FIGURE #6.
3. OPEN FRONT DOOR AND ADJUST RIGHT SCANNING DISC SO RIVET (A) (SEE FIGURE #1) IS CENTERED WITH STYLUS POINT. (LEFT SCANNING DISC RIVET (A) FIGURE #2 TO BE DONE AFTER ALL ADJUSTMENTS ARE MADE ON RIGHT RIFLE) BEFORE SECURING MAKE SURE EDGE OF SCANNING DISC IS PARALLEL WITH BRACKET IT IS MOUNTED ON.
4. WITH A PIECE OF PAPER, INSULATE THE LAST CONTACT SWITCH (JUMPER & WHITE-GREEN WIRES) ON THE "DEER RELAY" (RELAY LOCATED IN THE BOTTOM ROW OF RELAYS, IN THE CENTER OF UPPER BACKDOOR).
5. SET THE BIRD ON THE BIRD UNIT TO THE CENTER POSITION AS SHOWN IN FIGURE #3.
6. MANUALLY TURN THE MIRROR MOTOR (SEE FIGURE #5) UNTIL FINGERS ON THE DISC OF THE MIRROR MOTOR ARE LINED UP AS IN FIGURE #4.
7. RESET THE STYLUS POINT ON THE RIGHT SIDE TO BE IN THE CENTER OF RIVET (B) ON SCANNING DISC AS SHOWN IN FIGURE #1. (FIGURE #2 FOR LEFT SIDE)
8. CLOSE GUN DECK AND CHECK SIGHTING ON BIRD. IF NOT ON THE CENTER OF TARGET, ADJUST LENGTH OF MIRROR MOTOR CONNECTING LINK AS SHOWN IN FIGURE #5.
9. REMOVE PAPER INSULATOR FROM THE "DEER RELAY" AND REMOVE THE SIGHTING BRACKET FROM THE RIGHT RIFLE.
10. FOLLOW PROCEDURE 1 THRU 9 FOR LEFT RIFLE.



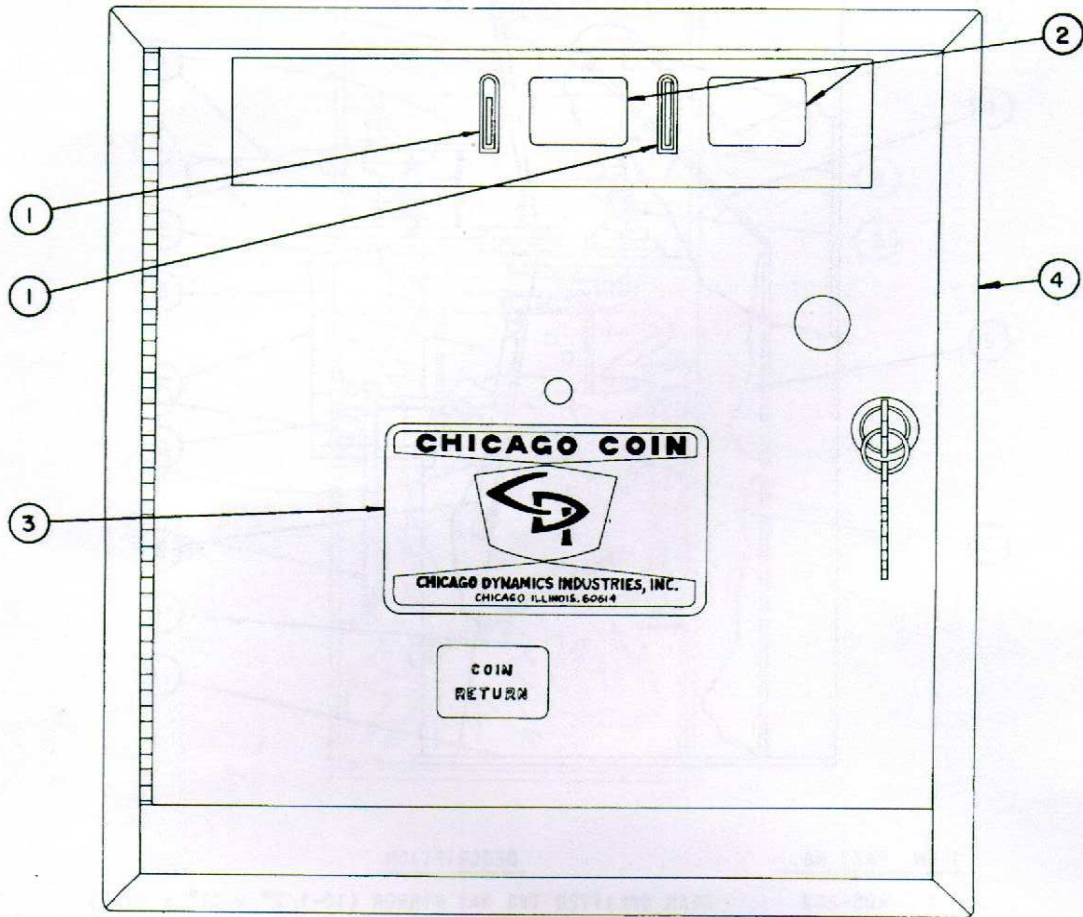
ITEM	PART NO.	DESCRIPTION	ITEM	PART NO.	DESCRIPTION
1	500-2565-A	SCORING DRUM UNIT (SEE PAGES 18 & 19)	8	406-350-G	SCORE GLASS (28" x 26" x 3/16")
2	406-2517	TIMER UNIT (SEE PAGE 17)	9	404-311	SPEAKER
3	406-2525	RIFLE ASS'Y (SEE PAGE 10)	10	406-1024	CREDIT BUTTON BLOCK
4		CASH COMPARTMENT (SEE PAGES 6 & 7)		406-307	INSTRUCTION CARD
5	378-312	SPEAKER (USED ONLY WITH 8 TRACK TAPE PLAYER)		406-306-A	INSTRUCTION CARD WINDOW
6	326-540	CASH BOX		406-531	INSTRUCTION CARD FRAME
	339-508-B	CASH BOX COVER		305-1501	CREDIT BUTTON
7	#5130	BLACK LITE FLUORESCENT LAMP (18" LG.)		#16544	BUTTON BUSHING
	318-500	FLUORESCENT SOCKET MTG. BRACKET		3-119	BUTTON SPRING
	#5239	FLUORESCENT SOCKET		#6722	RETAINING RING
	#5726	BALLAST		#418-L&R	CONTACT SWITCH ASS'Y
	#5728	STARTER HOLDER		#5231	BAYONET SOCKET
	#5729	FS-2 STARTER		#5105	#55 BULB
	278-538	ASBESTOS PAD			

CHICAGO DYNAMIC INDUSTRIES

PARTS CATALOG

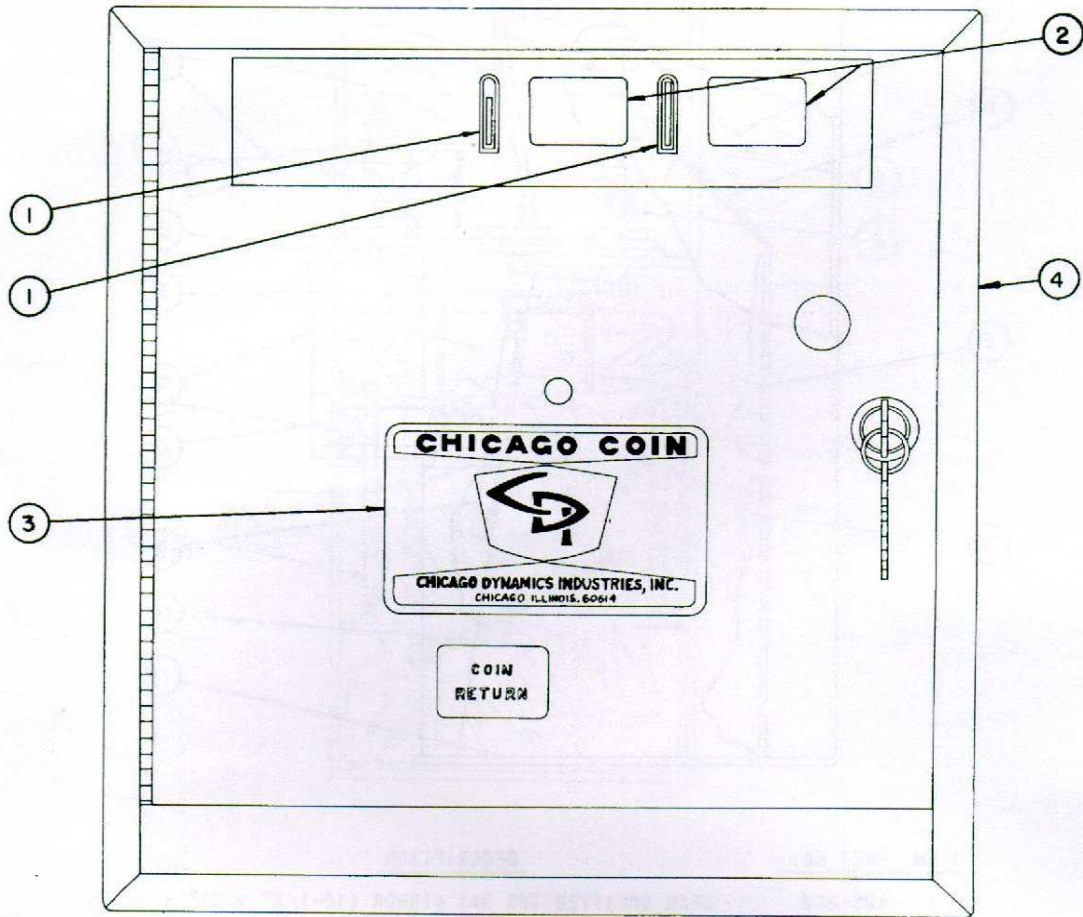


ITEM	PART NO.	DESCRIPTION
1	406-302	BEAM SPLITTER TWO WAY MIRROR (15-1/2" x 27" x 1/4")
2	406-802-A	FOREGROUND SCENERY
3	406-802-B	BACKGROUND SCENERY
4	406-2525	RIFLE ASS'Y (SEE PAGE 10)
5	406-304	TAPE
6	404-310	TAPE PLAYER (8 TRACK)
7		CASH COMPARTMENT (SEE PAGES 6 & 7)
8	326-540	CASH BOX
	339-508-B	CASH BOX COVER
9	#5130	BLACK LITE BLUE FLUORESCENT LAMP (18" LG.)
	318-500	FLUORESCENT SOCKET MTG. BRACKET
	#5239	FLUORESCENT SOCKET
	#5726	BALLAST
	#5728	STARTER HOLDER
	#5729	FS-2 STARTER
	278-538	ASBESTOS PAD
10	406-512-L&R	SCENERY REFLECTOR (MOUNTED TO THE SIDE OF CABINET ON EACH SIDE)
11	406-305	CLOUD SCENERY
12		MIRROR FRAME & MOTOR ASS'Y (SEE PAGE 14)



ITEM	PART NO.	DESCRIPTION
1	382-800	COIN ENTRY MOLDING (SEE PAGE 27)
2		COIN DENOMINATION WINDOW (SEE PAGE 27)
3	#6883	C.D.I. DECAL
4	384-2502	FRONT DOOR FRAME ASS'Y

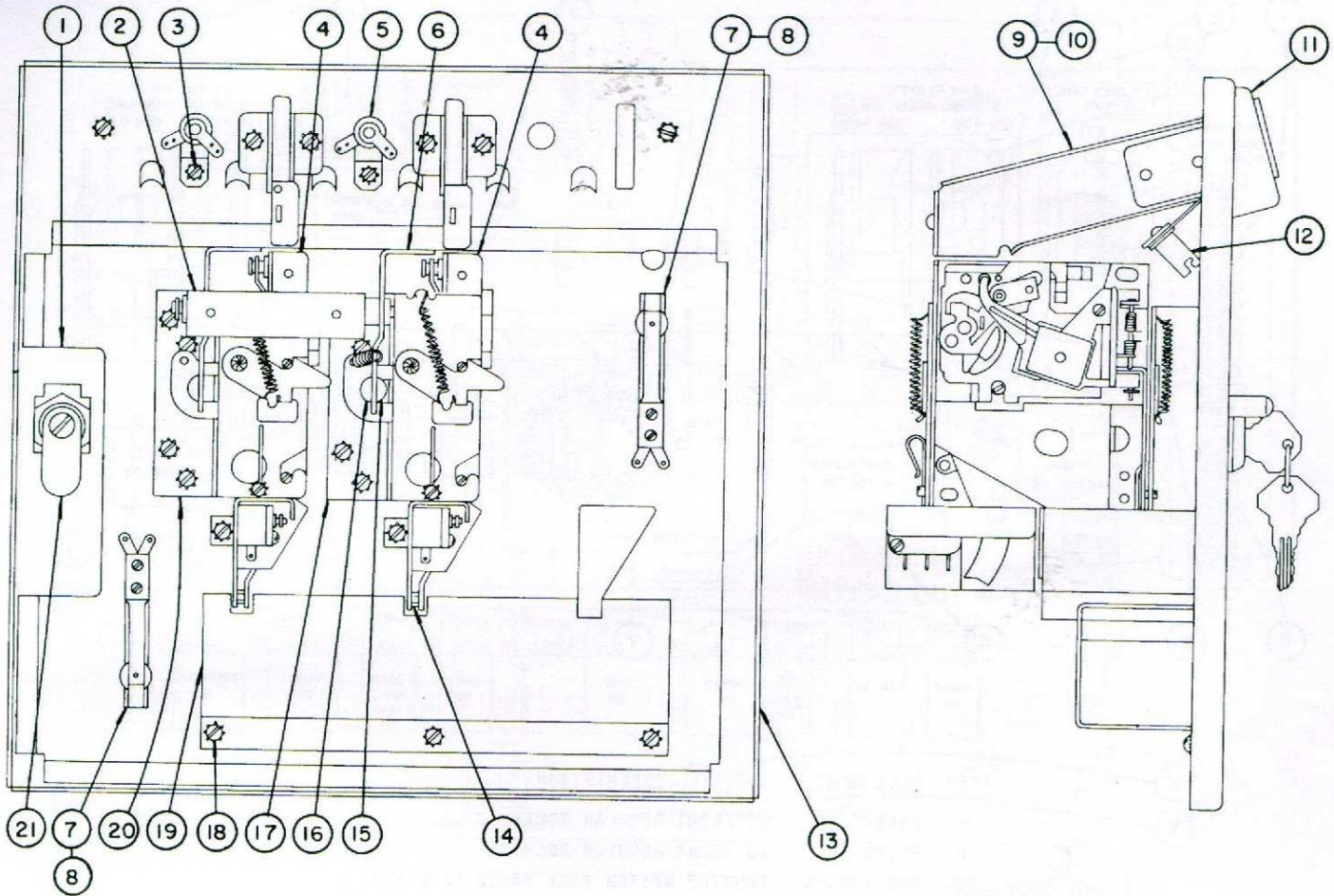




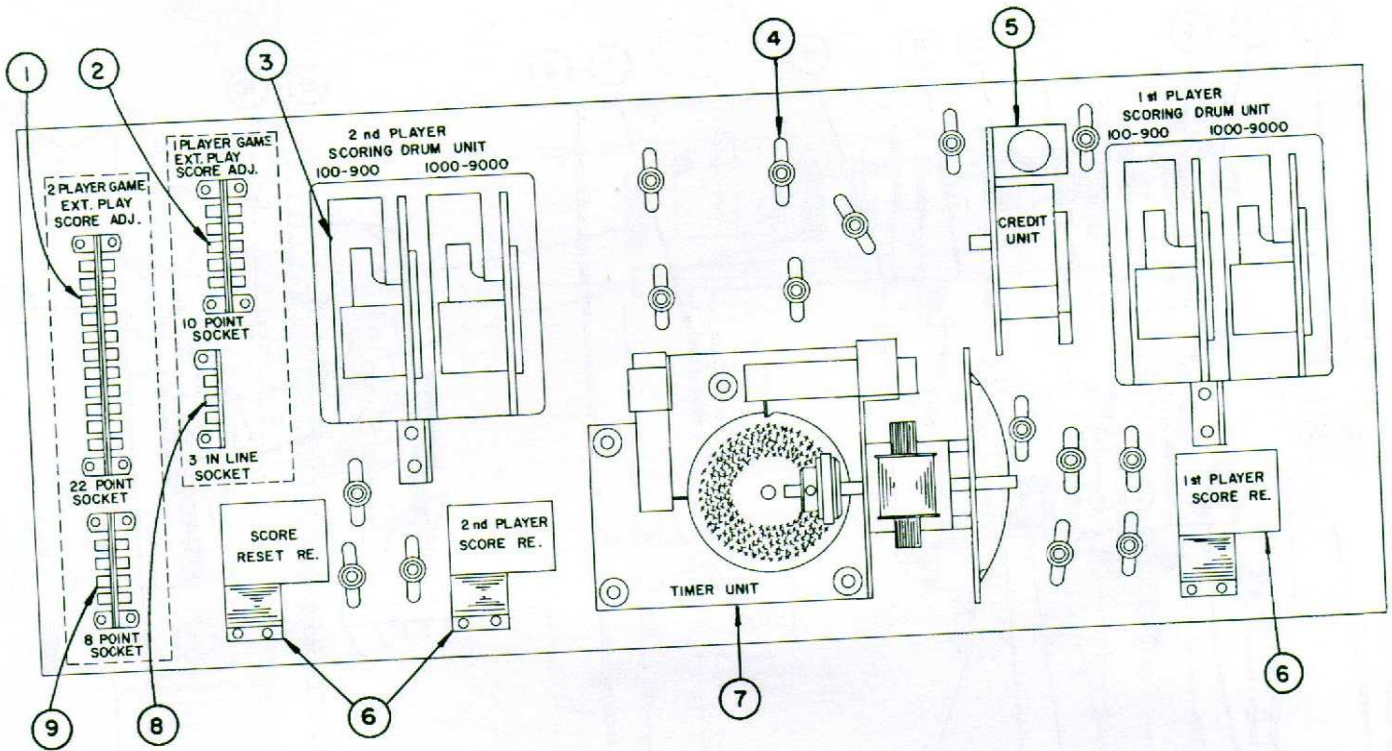
<u>ITEM</u>	<u>PART NO.</u>	<u>DESCRIPTION</u>
1	382-800	COIN ENTRY MOLDING (SEE PAGE 27)
2		COIN DENOMINATION WINDOW (SEE PAGE 27)
3	#6883	C.D.I. DECAL
4	384-2502	FRONT DOOR FRAME ASS'Y

CASH COMPARTMENT DOOR 382-2505-X

TWIN RIFLE



ITEM	PART NO.	DESCRIPTION	ITEM	PART NO.	DESCRIPTION
1	246-551	LOCK PLATE	11	382-2504-B-C	COIN WINDOW BRACKET ASS'Y
2	326-521	REJECTOR BRACKET	12	#5265	BAYONET SOCKET
3		#6-32 x 1/4 LG. SEMS UNIT	13	382-2507	FRONT DOOR & CHUTE MTG. BRKT. ASS'Y
4	#6801-C	25¢ COIN ACCEPTOR INSERT	14	333-2528	REJECTED COIN CONCUR FUNNEL ASS'Y
5	#5266	BAYONET SOCKET	15	326-1505	REJECTOR ROD
	#5112	BULB	16	#6828	RETAINING RING
6	326-2510	REJECTOR ARM & BUSHING ASS'Y	17	333-2530-B	HOUSING & MICRO SWITCH ASS'Y
	#5303	WASHER	18		#8-32 x 1/4 LG. SEMS UNIT
	#6737	RETAINING RING	19	326-2527	COIN RETURN HOUSING ASS'Y
7	326-544-A	BAKELITE SWITCH INSULATOR	20	333-2530-C	HOUSING & MICRO SWITCH ASS'Y
8	#362	SWITCH ASSEMBLY	21	#6877-A	LOCK CAM
9	382-2501	COIN GUIDE ASSEMBLY		#6719	LOCK
10	382-2502-A	COIN GUIDE COVER ASS'Y			

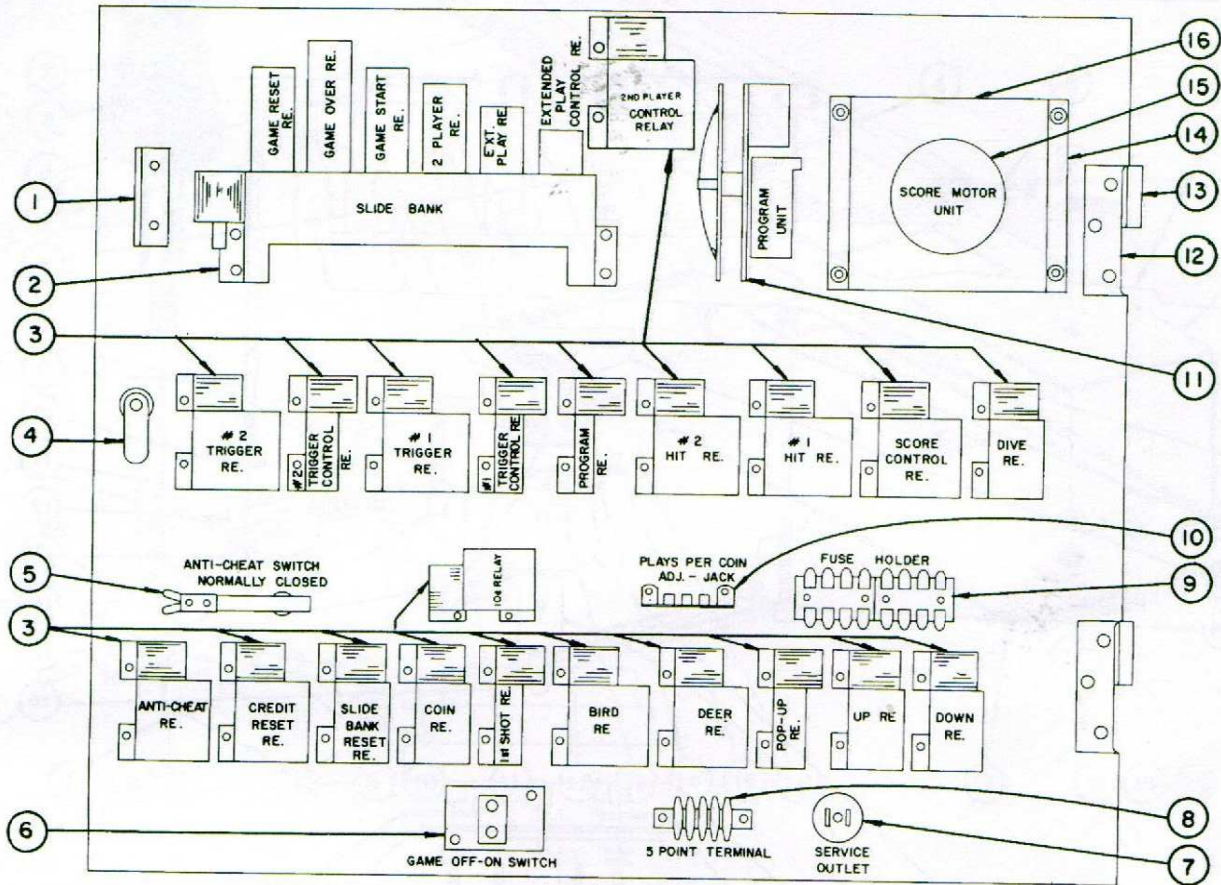


**ITEM PART NO.**

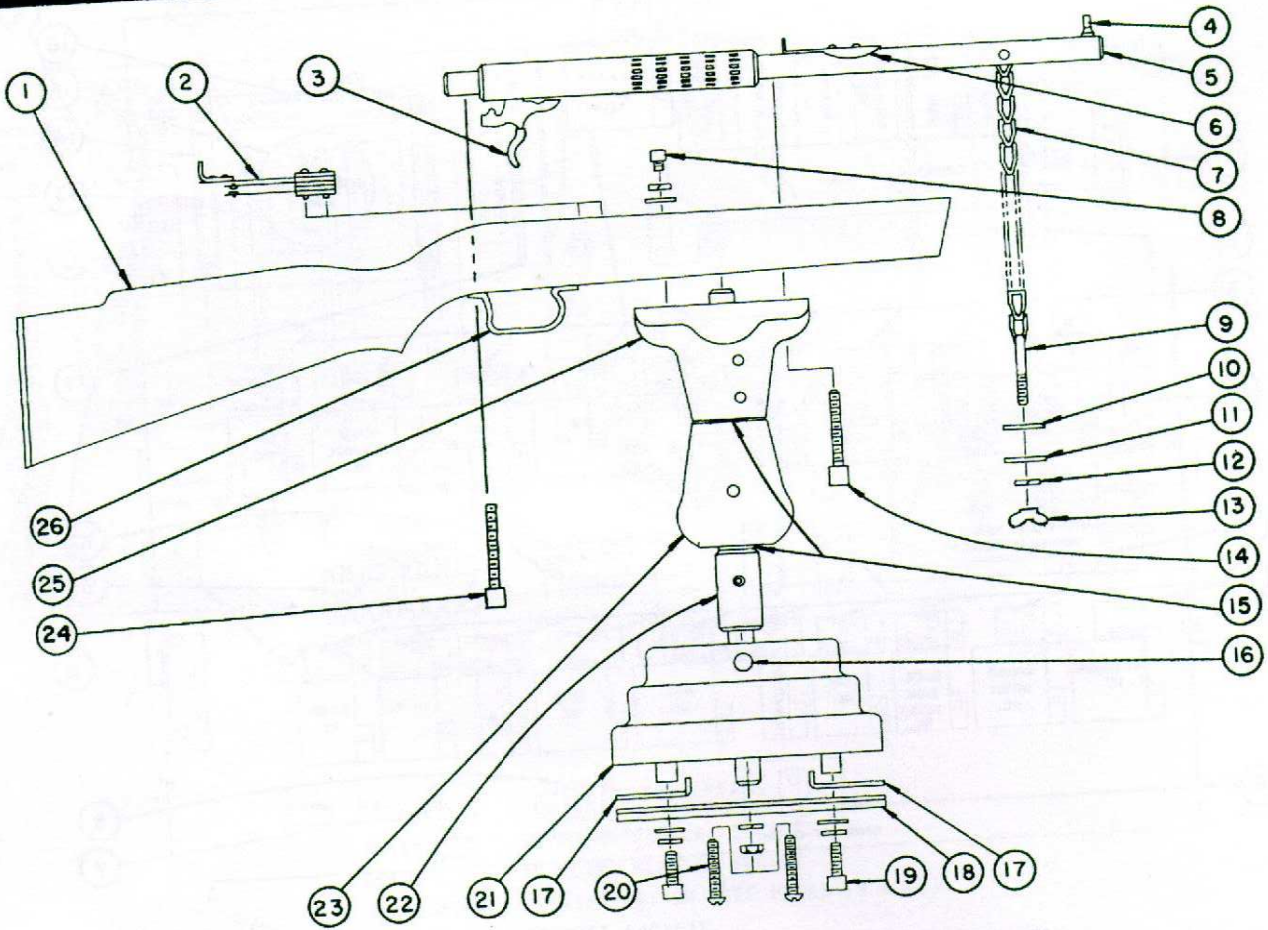
- 1 #5886
- 2 #5879
- 3 500-2565-A
- 4 #5232
- 5 #5212
- 6 130-2532-D
- 7 406-2517
- 8 #5817
- 9 #5878

**DESCRIPTION**

- 22 POINT REGULAR SOCKET
- 10 POINT REGULAR SOCKET
- COUNTER SWITCH (SEE PAGES 18 & 19)
- BAYONET SOCKETS
- BULBS
- CREDIT UNIT (SEE PAGE 20)
- FOR ALL THESE RELAYS SEE PAGE 24
- TIMER UNIT (SEE PAGE 17)
- 3 POINT STRAIGHT INLINE SOCKET
- 8 POINT REGULAR SOCKET



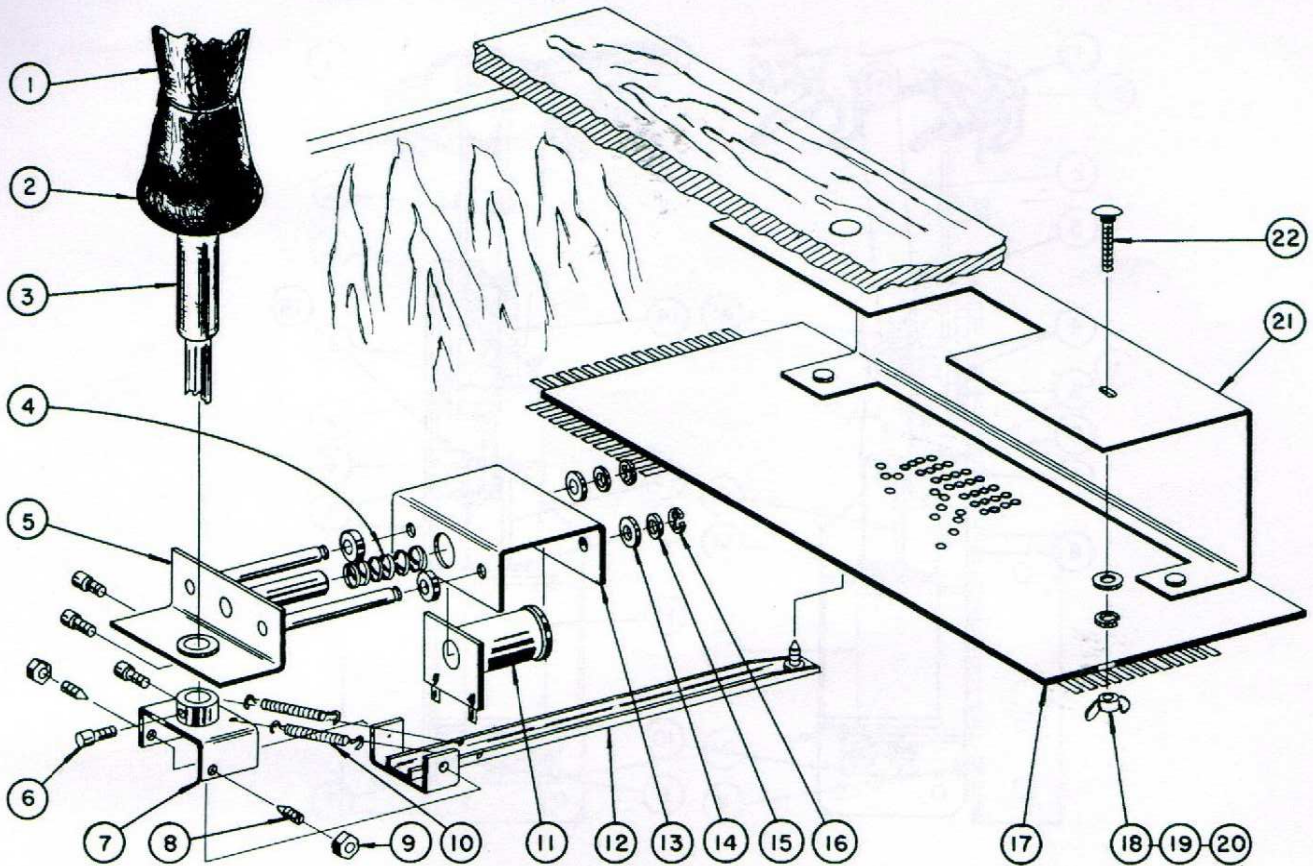
ITEM	PART NO.	DESCRIPTION
1	282-508	BACKDOOR SUPPORT BRACKET
2	271-2520-R-6	COMPLETE SLIDE TYPE RELAY (SEE PAGE 22)
3		FOR ALL THESE RELAYS SEE PAGE 24
4	#6719	LOCK
	#6877-A	LOCK CAM
5	#302	ANTI-CHEAT SWITCH
6	#5700	GAME OFF-ON SWITCH
7	#5701	SERVICE OUTLET
8	#6685-5	5 PLACE TERMINAL STRIP
9	#5747-4	4 PLACE FUSE BLOCK (2-REQ'D)
10	#5817	3 POINT INLINE SOCKET
11	130-2571-A	PROGRAM UNIT (SEE PAGE 21)
12	281-517	WASHER PLATE
	#8-32 x 1-1/4 LG. CARRIAGE BOLT	
	#5427	SPLIT TYPE LOCKWASHER
	#8-32 HEX NUT	
13	287-512	FEMALE HINGE
14	406-2500	COMPLETE SCORE MOTOR ASS'Y
15	406-2520	SCORE MOTOR CAM ASS'Y (SEE PAGE 23)
16	406-2519	SCORE MOTOR MTG. PLATE ASS'Y



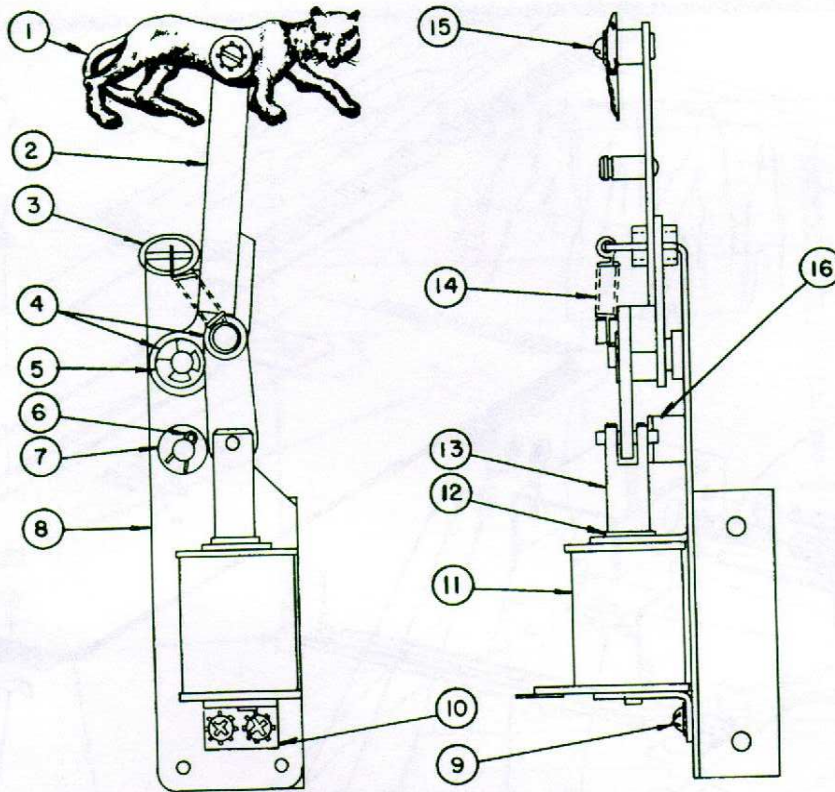
ITEM	PART NO.	DESCRIPTION	ITEM	PART NO.	DESCRIPTION
	406-2525	COMPLETE RIFLE ASSEMBLY	14		1/4-20 x 2" LG. SOCKET HD. CAP SCREW
1	254-300-A	GUN STOCK	15	#5387	WASHER
2	#178	SWITCH ASS'Y	16	360-2507	TAPERED SET SCREW ASS'Y
3	379-525-D	TRIGGER	17	360-502	RIFLE STOP BRACKET
	254-910-A	TRIGGER SPRING	18	394-584	SWIVEL BASE LOCK BRACKET
4	360-1505	FRONT GUN SIGHT	19		1/4-20 x 3/4" LG. SOCKET HD. CAP SCREW
5	392-2548	RIFLE BARREL ASS'Y		#5429	SPLIT TYPE LOCKWASHER
6	404-509	REAR GUN SIGHT		#5376	PLAIN WASHER
7	277-310-1	GUN CHAIN (16 LINKS)	20		1/4-24 x 4" LG. R.H.M.S.
8		1/4-20 x 1" LG. SOCKET HD. CAP SCREW		#5429	SPLIT TYPE LOCKWASHER
	#5479	EXTERNAL SHAKEPROOF LOCKWASHER			1/4-24 HEX NUT
	#5329	PLAIN WASHER	21	277-801-F	RIFLE SWIVEL BASE
9	254-312	"U" BOLT	22	360-1502	RIFLE HOLDING COLLAR
10	277-534	"U" BOLT PLATE	23	406-2501-L&R	MOUNTING SOCKET ASS'Y (LEFT #1 PLAYER)
11	#5382	PLAIN WASHER	24		#10-32 x 2" LG. SOCKET HD. CAP SCREW
12	#5429	SPLIT TYPE LOCKWASHER	25	406-2502	RIFLE MOUNTING CASTING & TUBE ASS'Y
13		1/4-20 WING NUT	26	404-511	TRIGGER GUARD

CHICAGO DYNAMIC INDUSTRIES

DARTS CATALOG



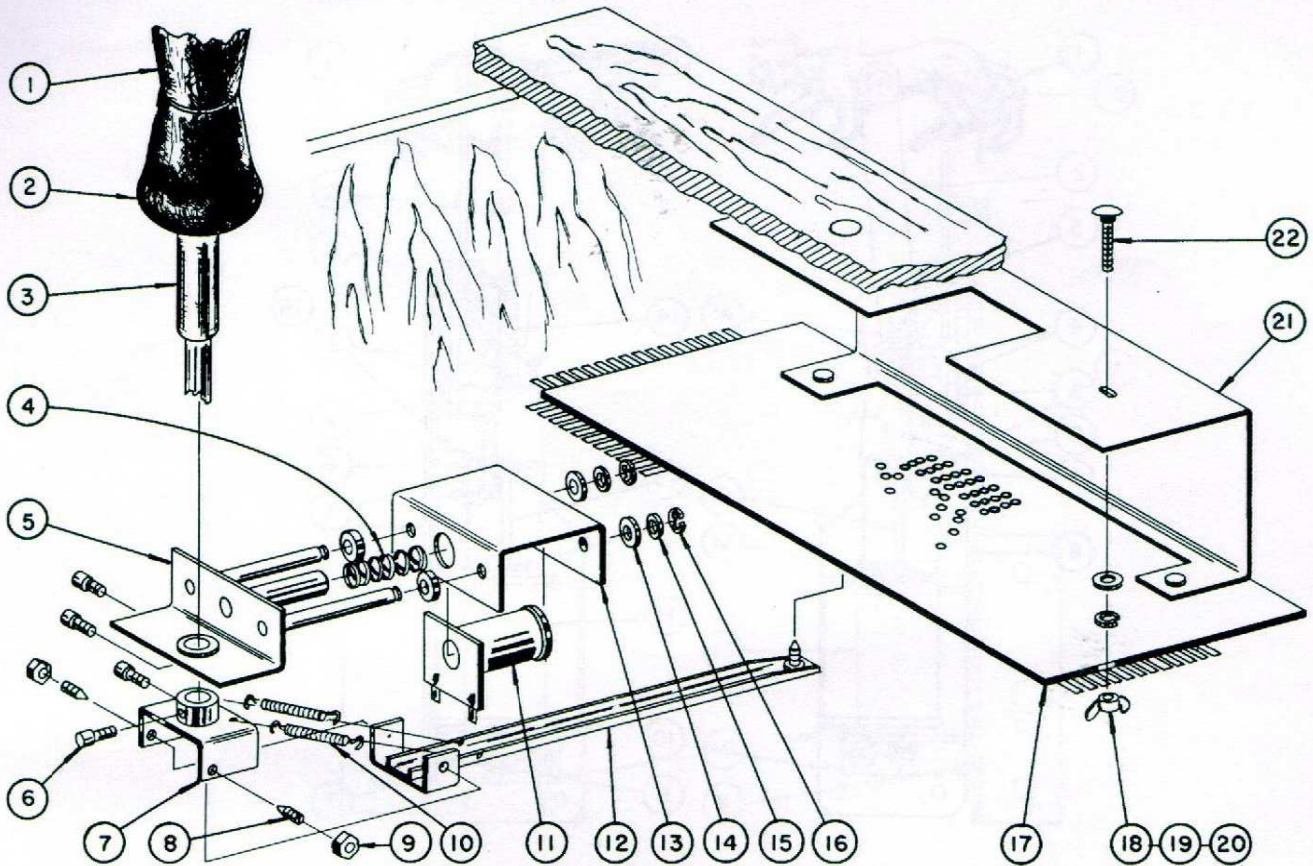
ITEM	PART NO.	DESCRIPTION	ITEM	PART NO.	DESCRIPTION
1	406-2502	RIFLE MTG. CASTING & TUBE ASS'Y (SEE PAGE 10)	12	254-1512-B	MEDIUM POINT STYLUS POINT (ONE EXTRA ON GAME FOR EACH RIFLE)
2	406-2501-L&R	MOUNTING SOCKET ASS'Y (SEE PAGE 10)		254-902	STYLUS POINT SPRING
3	360-1502	RIFLE HOLDING COLLAR	13	360-2512	RE-COIL MTG. FRAME ASS'Y
4	314-901	COMPRESSION SPRING	14	#6018	SPONGE RUBBER PAD
5	360-2503	RE-COIL MTG. BRACKET ASS'Y	15	#5383	WASHER
6		5/16-18 x 1/2 LG. SOCKET HD. CAP SCREW	16	#6738	RETAINING RING
7	360-2509	STYLUS BRACKET & HUB ASS'Y	17	406-2526	SCANNING DISC ASSEMBLY (#1 PLAYER)
8	254-1507	STYLUS PIVOT SCREW		406-2527	SCANNING DISC ASSEMBLY (#2 PLAYER)
9		5/16-24 HEX NUT	18		1/4-20 WING NUT
10	291-900	EXTENSION SPRING	19	#5429	SPLIT TYPE LOCKWASHER
11	S-20-400	COIL COMPLETE	20	#5382	WASHER
12	360-2513	STYLUS CONTACT POINT & ARM ASS'Y	21	406-2503	SCANNING DISC MTG. BRACKET ASS'Y
	254-1512-A	SMALL POINT STYLUS POINT	22		1/4-20 x 1-1/4 LG. CARRIAGE BOLT



ITEM	PART NO.	DESCRIPTION
	406-2515-C	POP UP TARGET ASS'Y WITH BUFFALO
	406-2515-E	POP UP TARGET ASS'Y WITH BEAR
	406-2515-G	POP UP TARGET ASS'Y WITH LION
1	406-300-G	MOUNTAIN LION RIGHT (SHOWN) OR
	406-300-C	TARGET BUFFALO OR
	406-300-E	TARGET BEAR (LEFT) <i>Right</i>
2	406-2514-A	TARGET ARM ASS'Y
3	326-302	PLASTIC SLEEVE
4	#5373	WASHER
5	#8749	RETAINING RING
6	143-902	SPRING CLIP
7	#5391	WASHER
8	406-2513	POP-UP TARGET MOUNTING PLATE ASS'Y
9		#6-32 x 3/16 LG. SEMS UNIT
10	130-2516	PLUNGER STOP ASS'Y
11	J-27-1100	COIL COMPLETE
12	130-1535	SOLENOID TUBING
13	366-2506-A	PLUNGER & LINK ASS'Y
14	326-902	SPRING
15		#8-32 x 1/4 LG. SEMS UNIT
16	#6076	RUBBER GROMMET

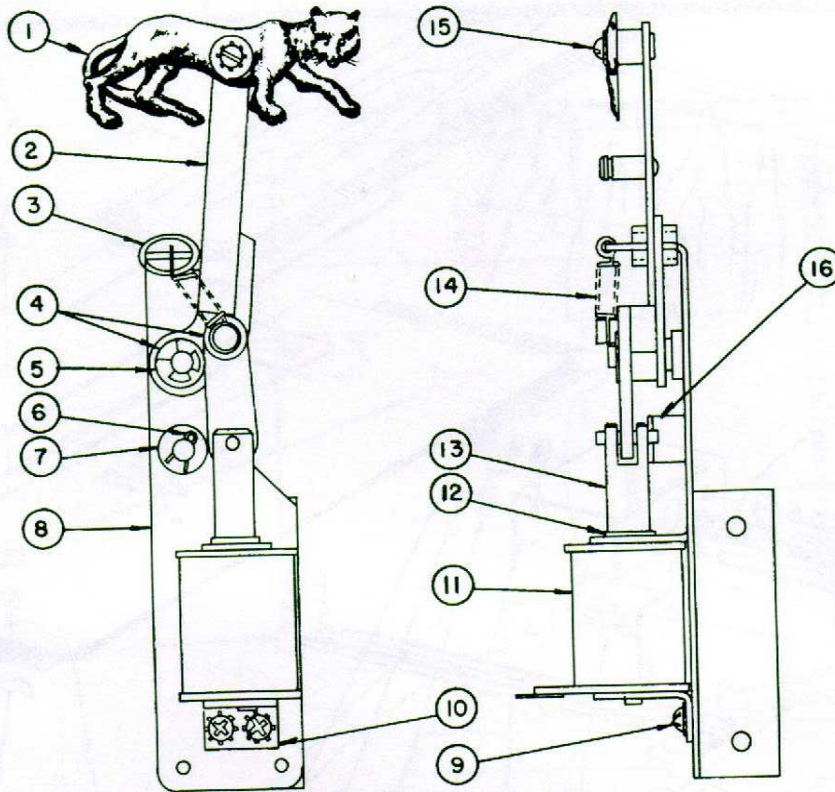
CHICAGO DYNAMIC INDUSTRIES

PARTS CATALOG



ITEM	PART NO.	DESCRIPTION	ITEM	PART NO.	DESCRIPTION
1	406-2502	RIFLE MTG. CASTING & TUBE ASS'Y (SEE PAGE 10)	12	254-1512-B	MEDIUM POINT STYLUS POINT (ONE EXTRA ON GAME FOR EACH RIFLE)
2	406-2501-L&R	MOUNTING SOCKET ASS'Y (SEE PAGE 10)		254-902	STYLUS POINT SPRING
3	360-1502	RIFLE HOLDING COLLAR	13	360-2512	RE-COIL MTG. FRAME ASS'Y
4	314-901	COMPRESSION SPRING	14	#6018	SPONGE RUBBER PAD
5	360-2503	RE-COIL MTG. BRACKET ASS'Y	15	#5383	WASHER
6		5/16-18 x 1/2 LG. SOCKET HD. CAP SCREW	16	#6738	RETAINING RING
7	360-2509	STYLUS BRACKET & HUB ASS'Y	17	406-2526	SCANNING DISC ASSEMBLY (#1 PLAYER)
8	254-1507	STYLUS PIVOT SCREW		406-2527	SCANNING DISC ASSEMBLY (#2 PLAYER)
9		5/16-24 HEX NUT	18		1/4-20 WING NUT
10	291-900	EXTENSION SPRING	19	#5429	SPLIT TYPE LOCKWASHER
11	S-20-400	COIL COMPLETE	20	#5382	WASHER
12	360-2513	STYLUS CONTACT POINT & ARM ASS'Y	21	406-2503	SCANNING DISC MTG. BRACKET ASS'Y
	254-1512-A	SMALL POINT STYLUS POINT	22		1/4-20 x 1-1/4 LG. CARRIAGE BOLT

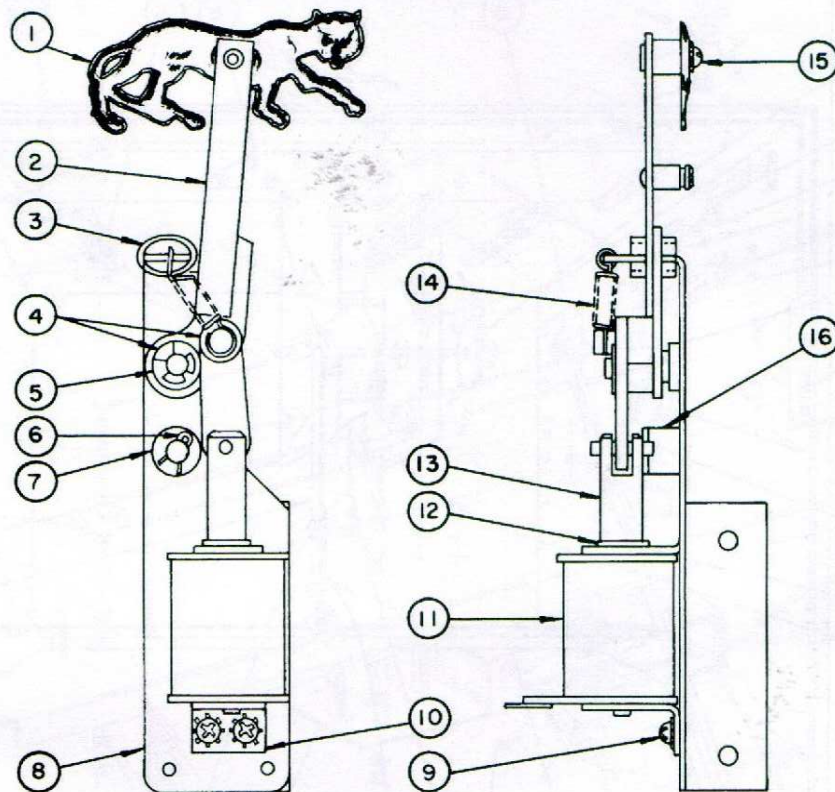




ITEM	PART NO.	DESCRIPTION
	406-2515-C	POP UP TARGET ASS'Y WITH BUFFALO
	406-2515-E	POP UP TARGET ASS'Y WITH BEAR
	406-2515-G	POP UP TARGET ASS'Y WITH LION
1	406-300-G	MOUNTAIN LION RIGHT (SHOWN) OR
	406-300-C	TARGET BUFFALO OR
	406-300-E	TARGET BEAR (LEFT) <i>Right</i>
2	406-2514-A	TARGET ARM ASS'Y
3	326-302	PLASTIC SLEEVE
4	#5373	WASHER
5	#8749	RETAINING RING
6	143-902	SPRING CLIP
7	#5391	WASHER
8	406-2513	POP-UP TARGET MOUNTING PLATE ASS'Y
9		#6-32 x 3/16 LG. SEMS UNIT
10	130-2516	PLUNGER STOP ASS'Y
11	J-27-1100	COIL COMPLETE
12	130-1535	SOLENOID TUBING
13	366-2506-A	PLUNGER & LINK ASS'Y
14	326-902	SPRING
15		#8-32 x 1/4 LG. SEMS UNIT
16	#6076	RUBBER GROMMET

CHICAGO DYNAMIC INDUSTRIES

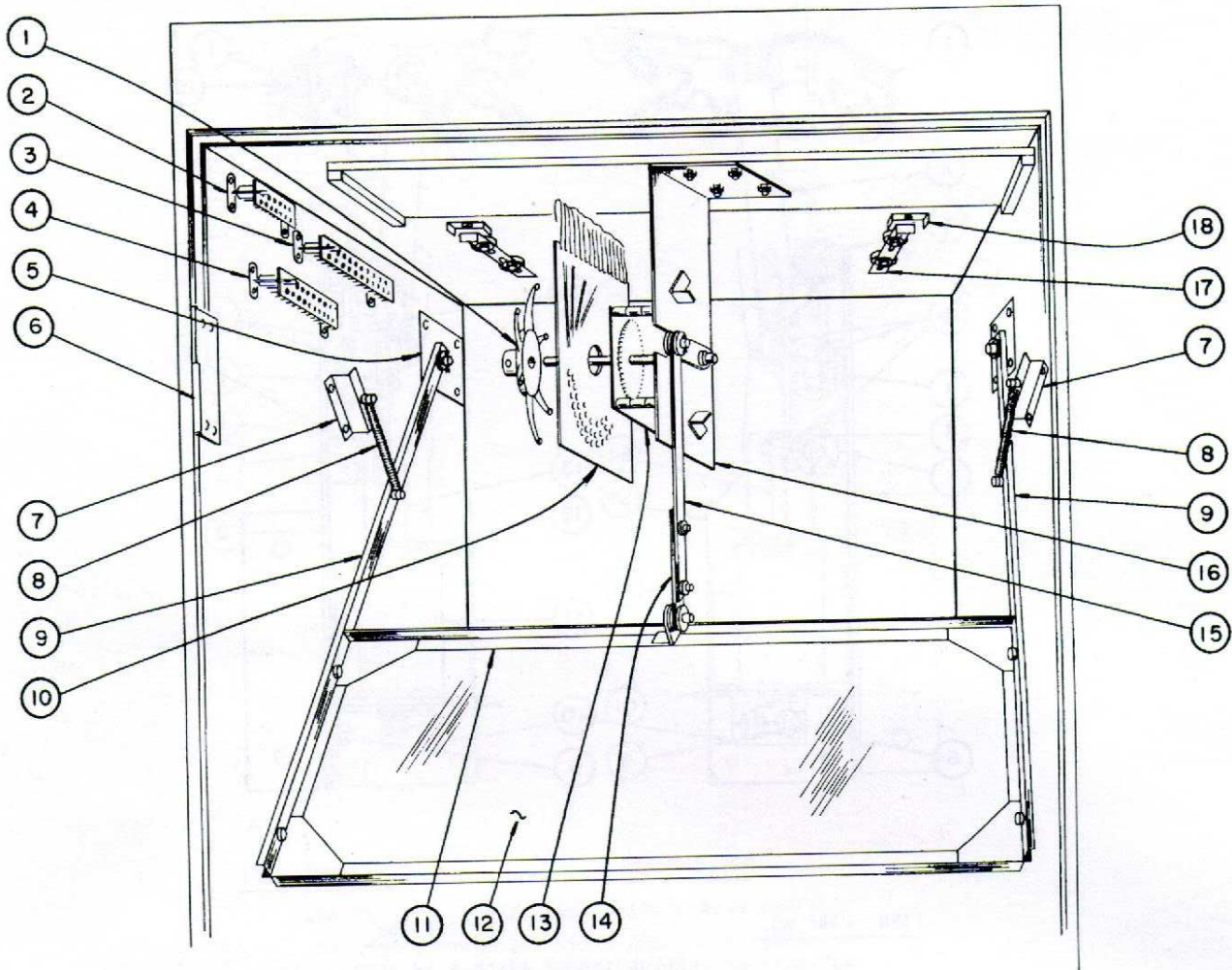
PARTS CATALOG



ITEM	PART NO.	DESCRIPTION
	406-2515-D	POP UP TARGET ASS'Y WITH BEAR
	406-2515-F	POP UP TARGET ASS'Y WITH LION
1	406-300-F	MOUNTAIN LION LEFT (SHOWN) DR
	406-300-D	TARGET BEAR (LEFT)
2	406-2514-B	TARGET ARM ASS'Y
3	326-302	PLASTIC SLEEVE
4	#5373	WASHER
5	#6749	RETAINING RING
6	143-902	SPRING CLIP
7	#5391	WASHER
8	406-2513	POP-UP TARGET MOUNTING PLATE ASS'Y
9		#6-32 x 3/16 LG. SEMS UNIT
10	130-2516	PLUNGER STOP ASS'Y
11	J-27-1100	COIL COMPLETE
12	130-1535	SOLENOID TUBING
13	366-2506-A	PLUNGER & LINK ASS'Y
14	326-902	SPRING
15		#8-32 x 1/4 LG. SEMS UNIT
16	#6078	RUBBER GROMMET

CHICAGO DYNAMIC INDUSTRIES

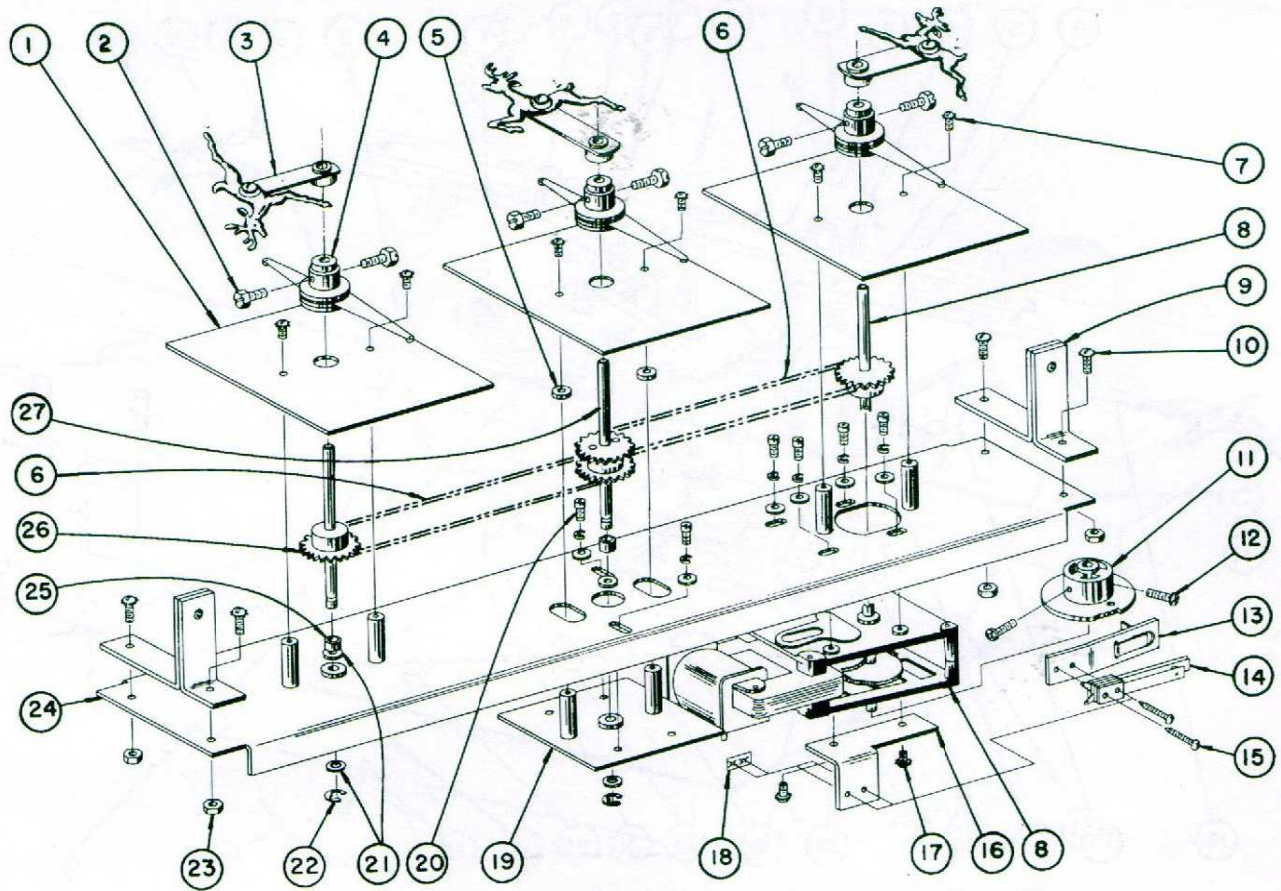
PARTS CATALOG



ITEM	PART NO.	DESCRIPTION
1	406-2524	MIRROR MOTOR WIPER FINGER ASS'Y
2	#5877	6 POINT REGULAR SOCKET
3	#5886	22 POINT REGULAR SOCKET
4	#5881	14 POINT REGULAR SOCKET
5	394-2538	MIRROR HINGE ASS'Y
6	287-2509-A&B	BACKDOOR HINGE ASS'Y
7	394-2557	MIRROR SPRING POST BRKT. ASS'Y
8	371-900	SPRING
9	406-2510	MIRROR FRAME MTG. BRACKET ASS'Y
10	406-2523	MIRROR MOTOR CONTACT PLATE ASS'Y
11	406-2508	PROJECTION MIRROR FRAME ASS'Y
12	406-301	PROJECTION MIRROR (6-1/2"-26" x 1/4")
13	406-2518	MIRROR MOTOR & ARM ASS'Y
	#5750-2092	MIRROR MOTOR
14	378-603	MIRROR MOTOR CONNECTING LINK
15	378-604	ADJUSTABLE LINK
16	406-2504	MIRROR MOTOR MTG. BRACKET ASS'Y
17	406-2538	GLASS LOCK BOLT ASS'Y
18	216-530-A	FRAME SAFETY LATCH

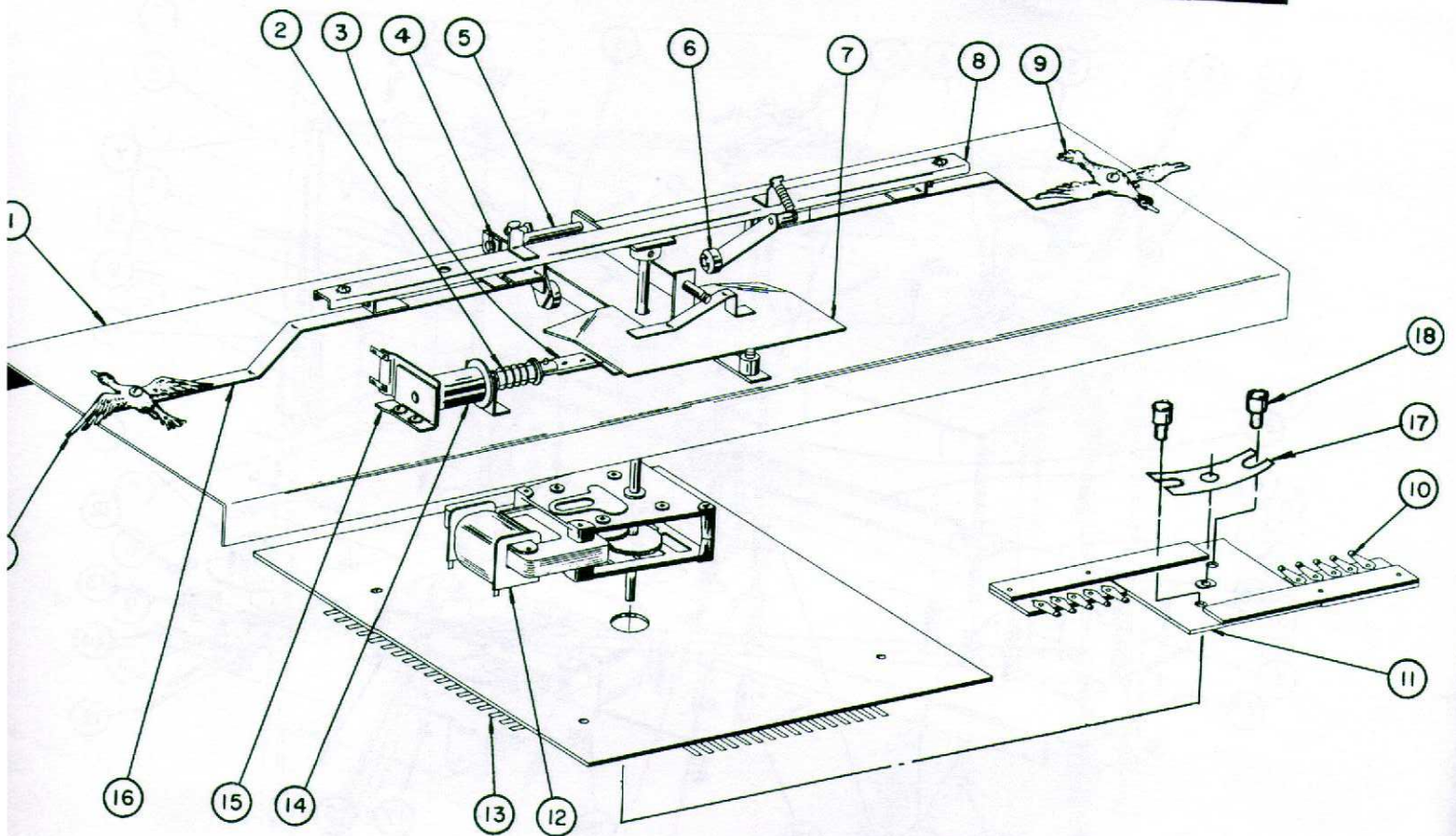
CHICAGO DYNAMIC INDUSTRIES

PARTS CATALOG

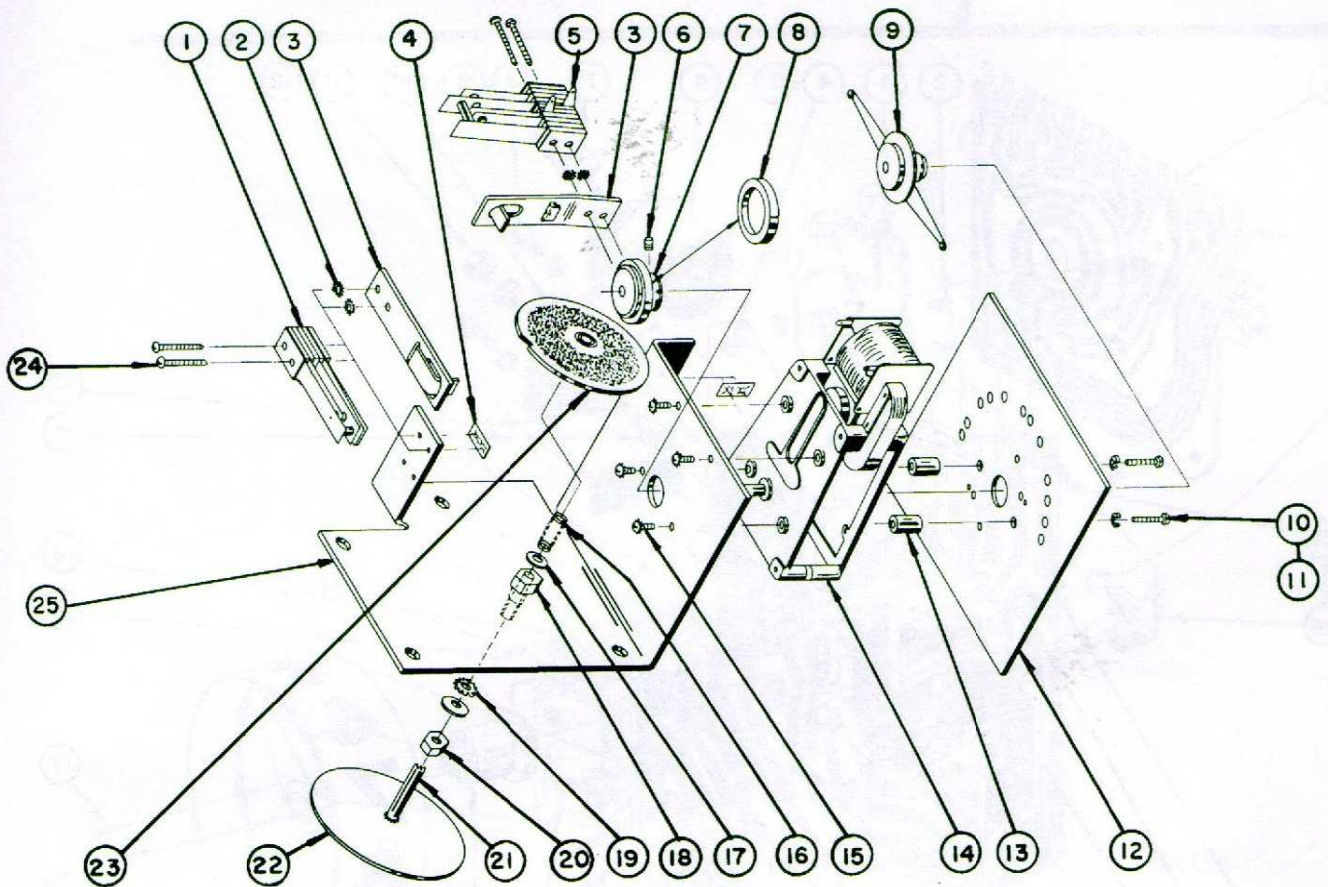


ITEM	PART NO.	DESCRIPTION
1	406-2511	DEER UNIT P.C. ASS'Y (ALL 3 TARGETS)
2		#8-32 x 1/2 LG. SLOTTED HEX HD. SCREW
3	406-2532	TARGET ARM STAKED ASS'Y (ALL 3 TARGETS)
	348-800	PLASTIC SPACER
	#5746	EXTERNAL SHAKEPROOF LOCKWASHER
		#6-32 HEX NUT
	406-300-B	TARGET DEER EXTENDED LEGS (TARGETS AT 2 ENDS)
	406-300-A	TARGET DEER FOLDED LEGS (CENTER TARGET)
4	392-2539	WIPER FINGER ASS'Y (ALL 3 TARGETS)
5	#5390	WASHER (ONLY BY CENTER TARGET P.C. BOARD)
6	390-317-H	LADDER CHAIN
7		#6-32 x 1/4 LG. SEMS (ON ALL 3 P.C. BOARDS)
8	406-2533	MOTOR & SPROCKET ASS'Y
	#5750-2093	MOTOR (DEER UNIT)
9	406-2534	DEER CHANNEL MTG. BRKT. ASS'Y (BOTH ENDS)
10		#8-32 x 1/2 LG. SEMS UNIT (BOTH ENDS)
11	406-510	DEER MOTOR CAM
12		#10 x 5/8 LG. TYPE "B" PAN HD. SELF TAPPING SCREW

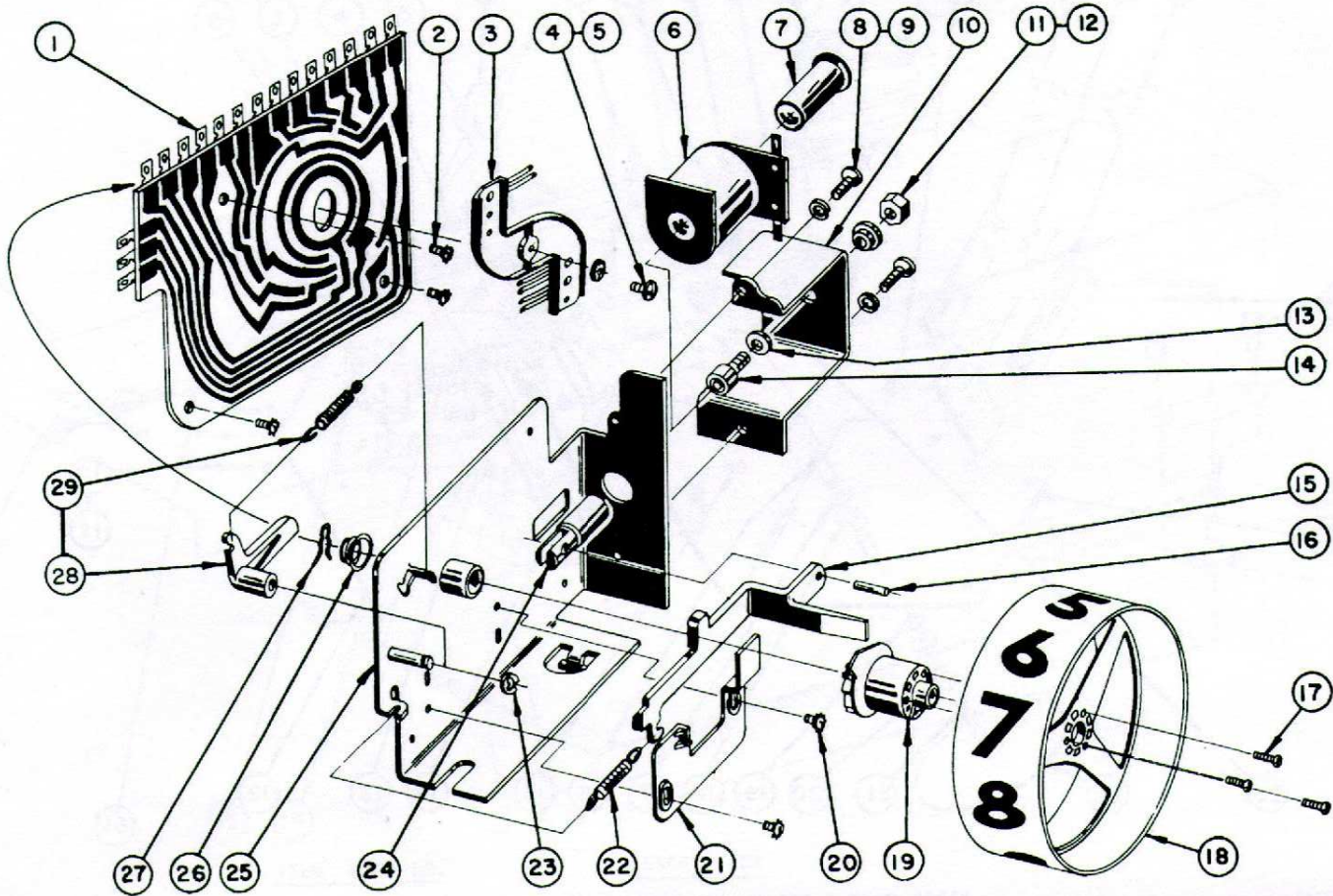
ITEM	PART NO.	DESCRIPTION
13	115-511	CAM RIDER PLATE
	115-508	CAM RIDER
14	#17	SWITCH ASS'Y
15		#4 x 7/8 LG. S.M.S.
16	406-509	SWITCH MTG. BRACKET
17		#8-32 x 1/4 LG. SEMS
18	#6770	TINNERMAN NUT
19	392-2509	MOUNTING POST PLATE BEARING ASS'Y
20		#8-32 x 3/8 LG. SOCKET HD. SET SCREW
	#5427	SPLIT TYPE LOCKWASHER
	#5378	FLAT WASHER
21	#5391	FLAT WASHER
22	#6722	RETAINING RING
23		#8-32 HEX NUT
24	406-2531	MOUNTING CHANNEL & BEARING ASS'Y
25	392-1504	SPROCKET SPACER
26	406-2535	END SPROCKET ASS'Y
27	392-2524	CENTER SPROCKET ASS'Y



ITEM	PART NO.	DESCRIPTION
1	394-2541	BIRD UNIT MOTOR MTG. PLATE & STUD ASS'Y
2	209-901	SPRING
3	394-2547	DIVE UNIT GUIDE & PLUNGER LINK ASS'Y
4	91-905	SPRING CLIP
5	394-1505	HINGE PIN
6	394-1507	BIRD DIVE ROLLER
	#6737	RETAINING RING
7	394-2545	DIVE UNIT PLATE ASS'Y
8	394-2554	BIRD UNIT MOTOR DRIVE ARM ASS'Y
9	406-300-H	DUCK TARGET (2-REQ'D)
	#5451	#6-32 x 3/4 LG. R.H.M.S.
	#6661	INTERNAL SHAKEPROOF LOCKWASHER
	#5476	CARR FASTENER
		EXTERNAL SHAKEPROOF LOCKWASHER
		#6-32 HEX NUT
10	386-2536	5 FINGER MTG. PAD ASS'Y (2-REQ'D)
11	406-2505	BIRD UNIT P.C. PLATE & FINGER ARM ASS'Y
12	#5750-2031	BIRD UNIT MOTOR
13	406-2529	BIRD UNIT P.C. ASSEMBLY
14	J-22-500	COIL COMPLETE
15	347-2512	PLUNGER STOP ASS'Y
16	406-2506	DUCK MTG. & HIT ARM ASS'Y
17	406-537	EMERGENCY BRAKE SPRING
18	181-1504	FIBER TIP



ITEM	PART NO.	DESCRIPTION	ITEM	PART NO.	DESCRIPTION
	406-2517	TIMER MOTOR ASS'Y (COMPLETE)	13	102-1502	SPACER
1	#62	SWITCH ASS'Y	14	#5750-1972-A	TIMER MOTOR
2	#5475	EXTERNAL SHAKEPROOF LOCKWASHER	15		#8-32 x 3/8 LG. SEMS UNIT
3	115-510	CAM RIDER PLATE	16	386-900	TIMER COMPRESSION SPRING
4	#6770	TINNERMAN NUT	17	#5391	STEEL WASHER
5	#17-234	SWITCH ASS'Y	18	386-1503	TIMER SHAFT BUSHING
6		#10-32 x 1/4 LG. SET SCREW	19	#5481	EXTERNAL SHAKEPROOF LOCKWASHER
7	386-2501	DRIVE WHEEL ASS'Y	20		3/8-24 HEX NUT
8	386-302	DRIVE WHEEL RUBBER RING	21	386-1502	TIMER SHAFT
9	394-2517	WIPER FINGER ASS'Y	22	390-302	TIMER GUAGE
10		#8-32 x 1" LG. R.H.M.S.	23	406-2542	TIMER CAM ASS'Y
11	#5477	LOCKWASHER	24		#4 S.M.S. LENGTH AS REQUIRED
12	406-2516	CONTACT PLATE ASS'Y	25	386-500	TIMER UNIT MTG. BRACKET



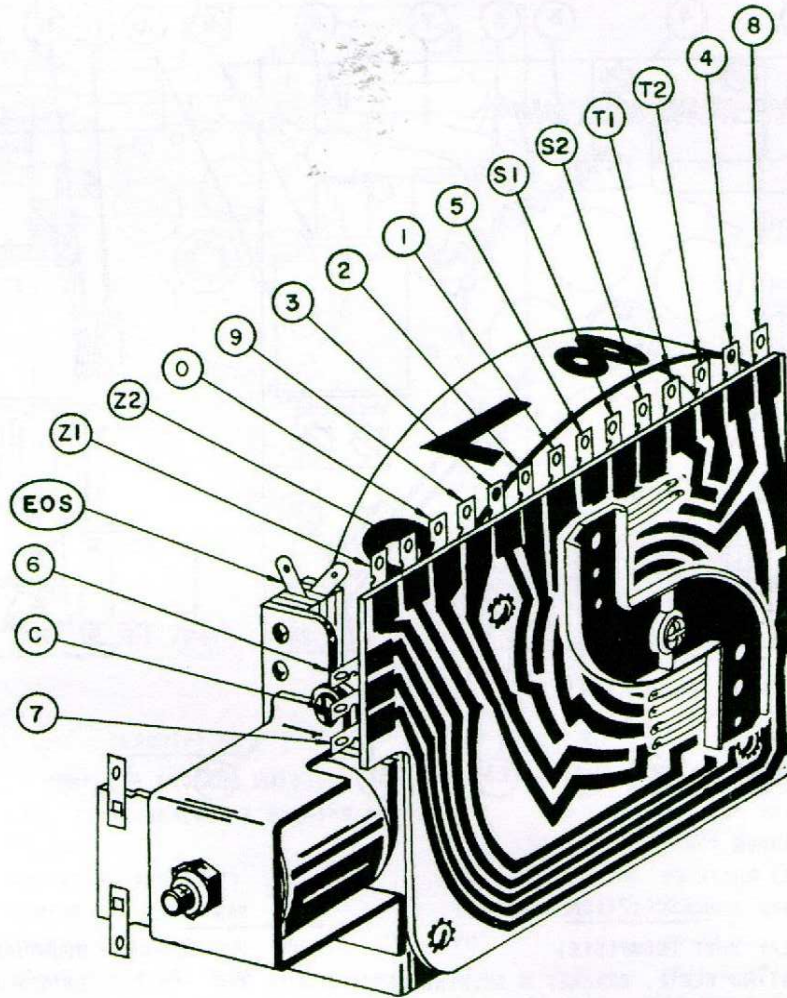
ITEM	PART NO.	DESCRIPTION	ITEM	PART NO.	DESCRIPTION
	500-2565-A	COMPLETE SCORING UNIT	15	500-802-A	OPERATING ARM
1	500-2520	CONTACT PLATE ASS'Y	16	#6811	ROLL PIN
2		#6-32 x 1/4 LG. SEMS UNIT	17		#4 x 3/8 LG. TYPE "Z" PHILLIP
3	500-2521	WIPER FINGER ASS'Y			HD. SELF TAPPING SCREW
4		#6-32 x 3/8 LG. TYPE "F" PHILLIP	18	500-800-WB	DRUM
		HD. SELF TAPPING SCREW	19	500-801	CAM & RATCHET
5	#5476	SHAKEPROOF LOCKWASHER	20		#6-32 x 3/16 LG. SEMS UNIT
6	N-24-700X	COIL COMPLETE	21	500-805	ADJUSTABLE STOP
7	143-808	PLASTIC TUBING	22	300-901 A	SPRING
8		#8-32 x 3/8 LG. TYPE "F" PHILLIP	23	#6737	E RING .187
		HD. SELF TAPPING SCREW	24	300-1500	OPERATING PLUNGER
9	#5427	SPLIT LOCKWASHER	25	500-2501-B	MOUNTING PLATE SUB ASS'Y
10	500-2508	COIL MTG. BRACKET	26	300-903	SPRING
11		#10-32 ELASTIC STOP NUT	27	300-902	RETAINING SPRING
12	500-1501	PLUNGER STOP BUSHING	28	500-804	HOLDING PAWL
13	#5322	BRASS WASHER	29	130-904	SPRING
14	500-2507	PLUNGER STOP & SLUG ASS'Y			

CHICAGO DYNAMIC INDUSTRIES

PARTS CATALOG

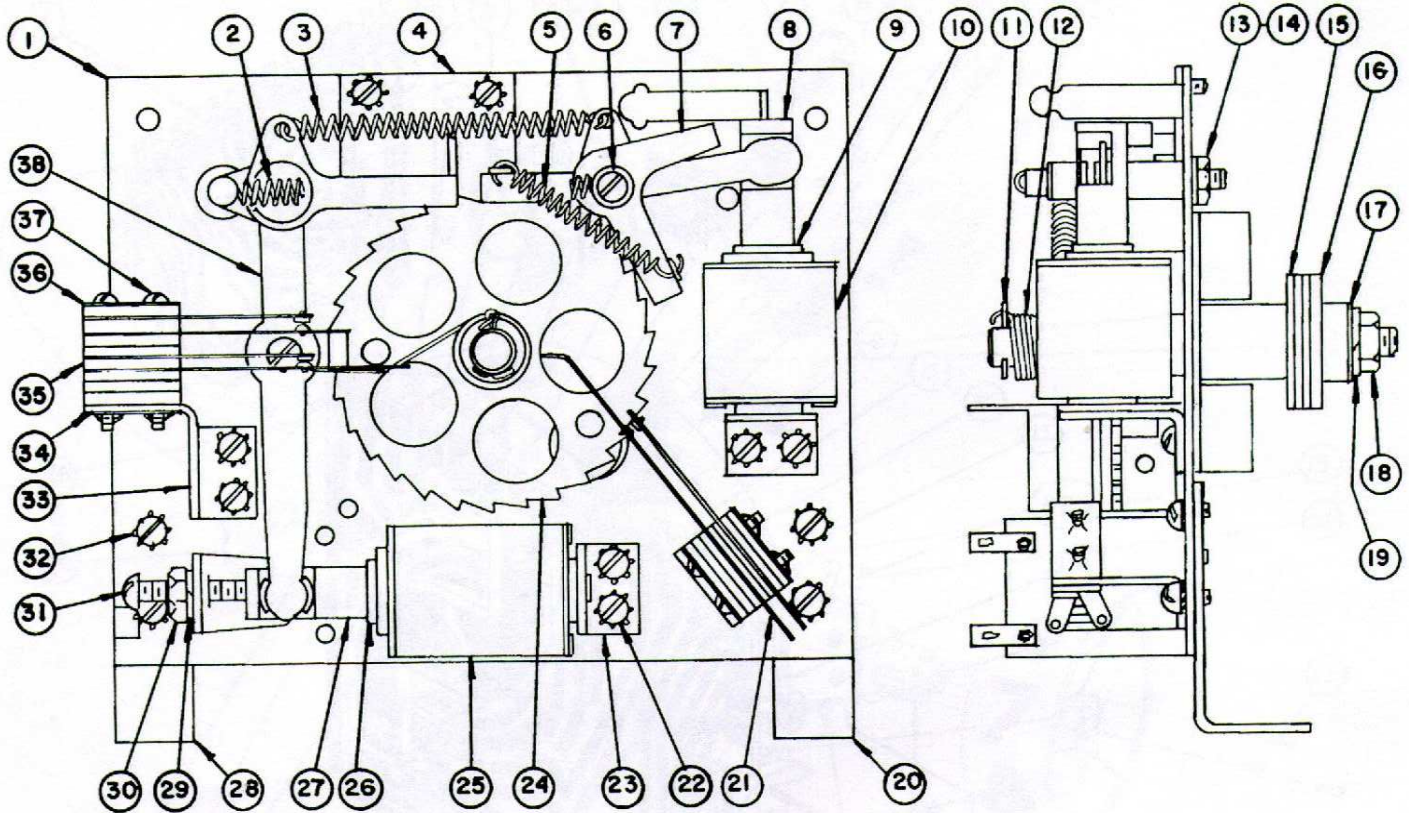
# SCORING DRUM FUNCTION

# TWIN RIFLE



- 7. #7 PAD
- C. COMMON FOR ALL PADS
- 6. #6 PAD
- EOS } NOT USED
- Z1. } CIRCUIT FOR RETURNING DRUM
- Z2. } UNIT TO ZERO POSITION
- 0. #0 PAD
- 9. #9 PAD
- 3. #3 PAD
- 2. #2 PAD
- 1. #1 PAD
- 5. #5 PAD
- S1. } SERIES CIRCUIT ON ALL DRUM UNITS TO
- S2. } COMPLETE CIRCUIT TO SLIDE BANK RESET RE.
- T1. } TRANSFER CIRCUIT FROM ONE
- T2. } DRUM UNIT TO ANOTHER
- 4. #4 PAD
- 8. #8 PAD

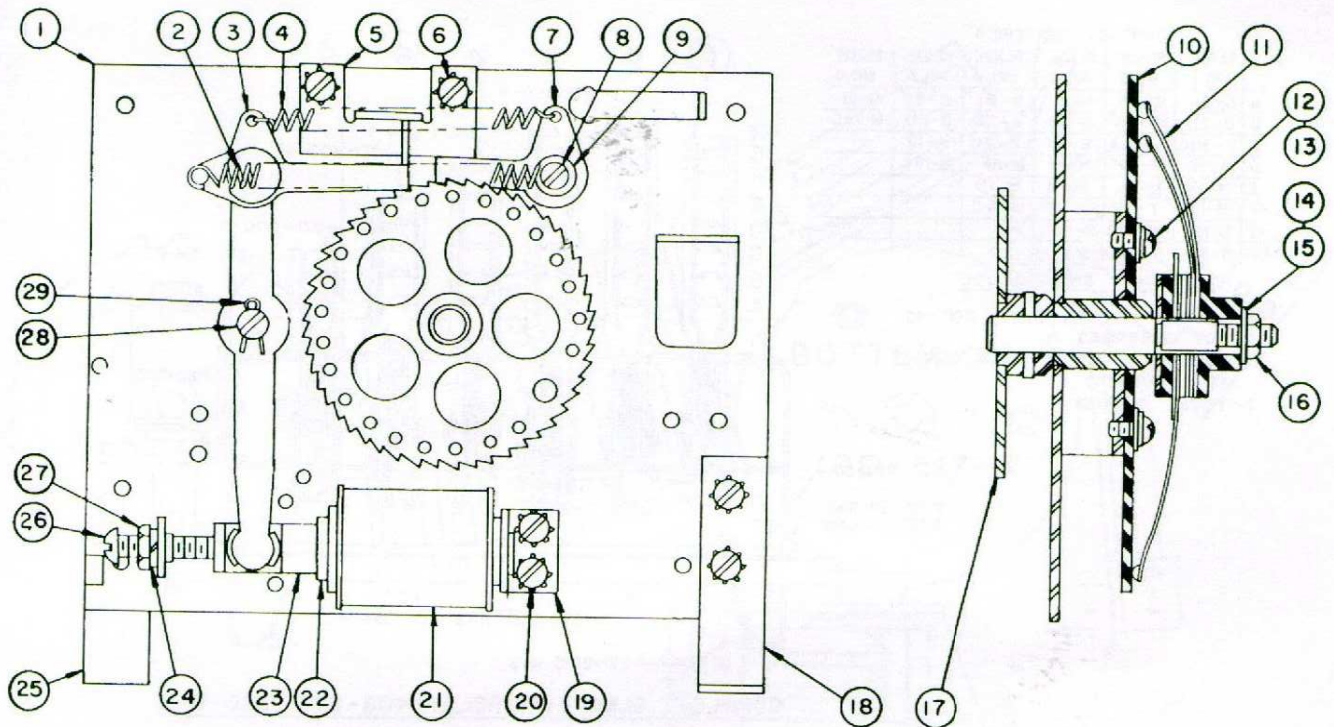




ITEM	PART NO.	DESCRIPTION	ITEM	PART NO.	DESCRIPTION
	130-2532-E	REPLAY UNIT (COMPLETE)	20	130-560-AS	MOUNTING LEG
1	130-2574	MOUNTING PLATE, BRACKET & BUSHING ASS'Y	21	#46	SWITCH ASS'Y
2	130-910-18	OPERATING SPRING	22		#6-32 x 1/4 LG. SEMS UNIT
3	130-901	RESET ARM SPRING	23	130-2516	PLUNGER STOP ASS'Y
4	130-546	SLIDE PLATE	24	130-2579	30 TOOTH RATCHET & SHAFT ASS'Y
5	129-900	SPRING	25	J-22-550	COIL COMPLETE
6	130-1510	RESET ARM POST	26	130-1535	SOLENOID TUBE
7	130-2514	ESCAPEMENT PAWL & BUSHING ASS'Y	27	130-1513	OPERATING PLUNGER
8	130-1539	RESET PLUNGER	28	130-560-A	MOUNTING LEG
9	130-1536	SOLENOID TUBING	29	#5428	SPLIT TYPE LOCKWASHER
10	H-26-650	COIL COMPLETE	30		#10-32 HEX NUT
11	#6754	COTTER PIN	31		#10-32 x 7/8 BRASS R.H.M.S.
12	130-907	TORSION SPRING	32		#8-32 x 1/4 LG. SEMS UNIT
13	#5428	SPLIT TYPE LOCKWASHER	33	130-511	DOUBLE CONTACT BRACKET
14		#10-32 HEX NUT	34	#6770	TINNERMAN NUT
15	130-518	CONTACT WASHER	35	#128-80	SWITCH ASS'Y
16	130-806	FINGER HUB	36	#6771	TINNERMAN SPACRE
17	#5331	FLAT WASHER	37		#4 S.M.S. LENGTH AS REQUIRED
18		1/4-28 HEX NUT	38	130-2533	OPERATING ARM ASS'Y
19	#5429	SPLIT TYPE LOCKWASHER			

CHICAGO DYNAMIC INDUSTRIES

PARTS CATALOG



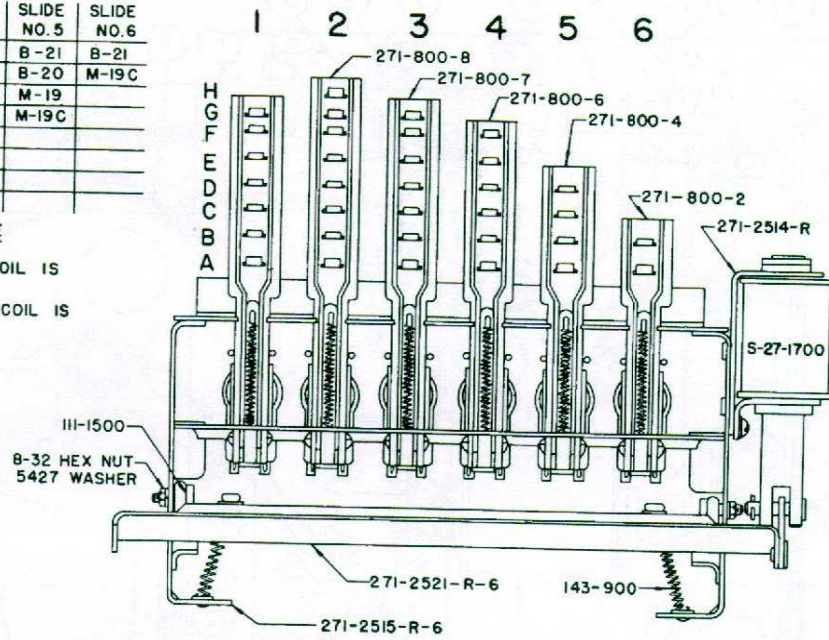
ITEM	PART NO.	DESCRIPTION
	130-2571-A	COMPLETE PROGRAM UNIT
1	130-2505	MTG. PLATE BRACKET & BUSHING ASS'Y
2	130-910-18	SPRING
3	130-2511	OPERATING ARM ASS'Y
4	130-901	SPRING
5	130-531	OVERRIDE RESTRAINER
6		#6-32 x 1/4 LG. SEMS UNIT
7	130-2517	HOLDING PAWL & BUSHING ASS'Y
8	130-1510	RESET PAWL POST
9	130-1517	RESET POST BUSHING
10	406-2521	PROGRAM UNIT P.C. ASS'Y
11	406-2522	PROGRAM UNIT WIPER FINGER ASS'Y
12		#6-32 x 3/8 LG. SEMS UNIT
13	#5305	FLAT WASHER
14	#5331	FLAT WASHER

ITEM	PART NO.	DESCRIPTION
15	#5429	SPLIT TYPE LOCKWASHER
16		#1/4-28 HEX NUT
17	130-2546	SHAFT BUSHING & RATCHET ASS'Y
18	130-560-AS	MOUNTING LEG
19	130-2516	PLUNGER STOP ASS'Y
20		#6-32 x 1/4 LG. SEMS
21	J-22-550	COIL COMPLETE
22	130-1535	SOLENOID TUBING
23	130-1513	OPERATING PLUNGER
24	#5428	SPLIT TYPE LOCKWASHER
25	130-560-A	MOUNTING LEG
26		#10-32 x 3/4 LG. BRASS R.H.M.S.
27		#10-32 HEX NUT
28	130-1508	OPERATING ARM POST
29	143-902	SPRING CLIP

CONTACT SWITCHES					
SLIDE NO.1	SLIDE NO.2	SLIDE NO.3	SLIDE NO.4	SLIDE NO.5	SLIDE NO.6
A B-21	B-21	B-21	B-21	B-21	B-21
B B-20	B-396	B-20	B-20	B-20	M-19C
C B-396	T-338A	B-20	B-20	M-19	
D M-19	M-19	M-19	M-19	M-19C	
E M-19	M-19	M-19	M-19		
F M-19	T-22	M-19	M-19C		
G B-19	M-19B	M-19D			
H T-200	B-20C				

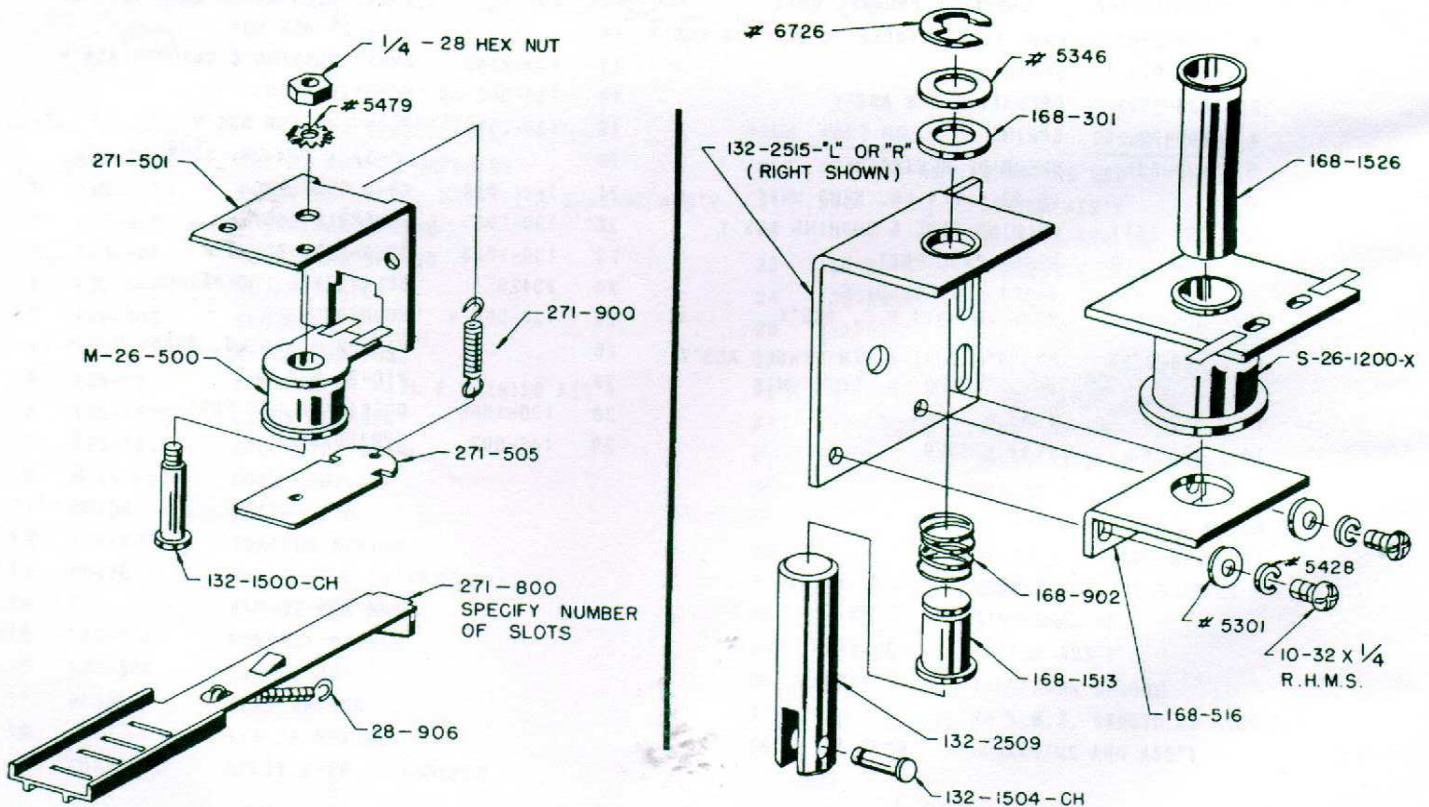
**CONTACT SWITCH CODE**

- M- CONTACT IS OPEN WHEN COIL IS NOT ENERGIZED
- B- CONTACT IS CLOSED WHEN COIL IS NOT ENERGIZED
- T- TRIPLE CONTACT



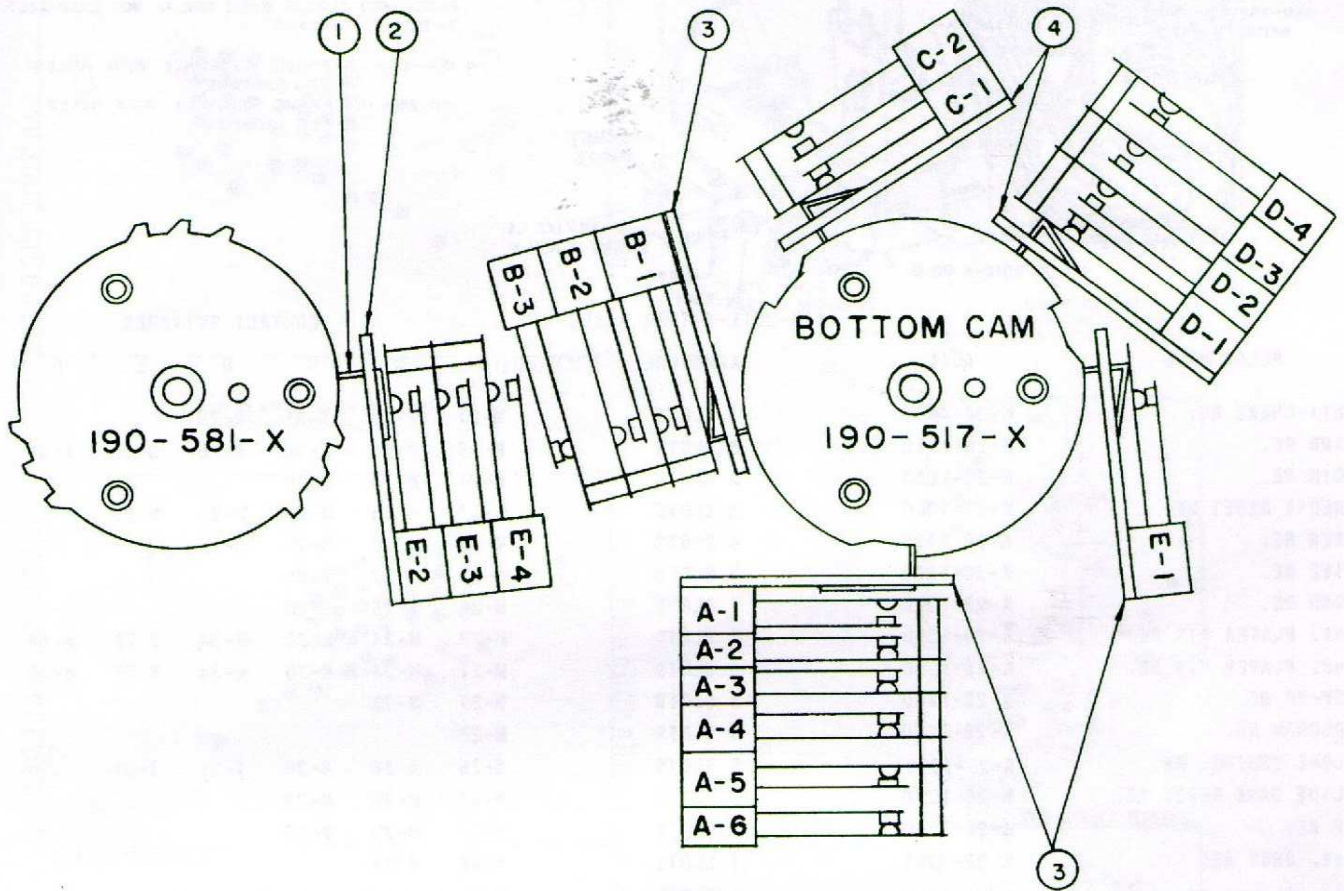
**COMPLETE SLIDE TYPE RELAY 406-271-2520-R-6**

**SLIDE TYPE RELAY**



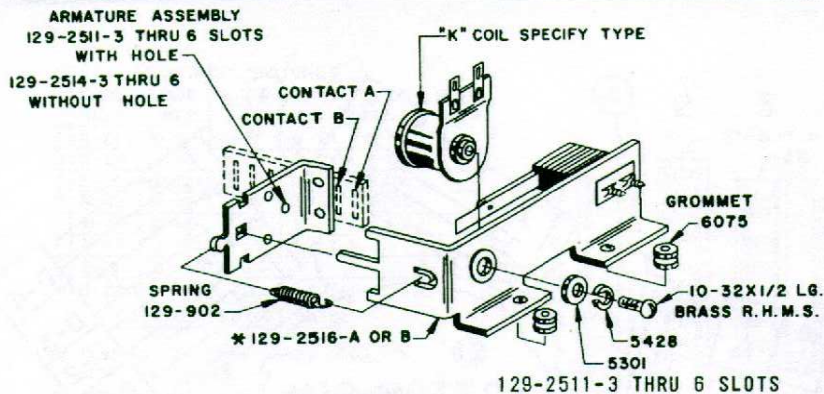
CHICAGO DYNAMIC INDUSTRIES

PARTS CATALOG



ITEM	PART NO.	DESCRIPTION
	406-2520	SCORE MOTOR CAM ASSEMBLY
1	115-508	CAM RIDER (ON ALL SWITCH ASSEMBLY)
2	115-501-G	CAM RIDER PLATE
3	115-501-F	CAM RIDER PLATE
4	115-501-E	CAM RIDER PLATE
A-1	#63	SWITCH ASSEMBLY
A-2	#57	SWITCH ASSEMBLY
A-3	#57	SWITCH ASSEMBLY
A-4	#64	SWITCH ASSEMBLY
A-5	#57	SWITCH ASSEMBLY
A-6	#57	SWITCH ASSEMBLY

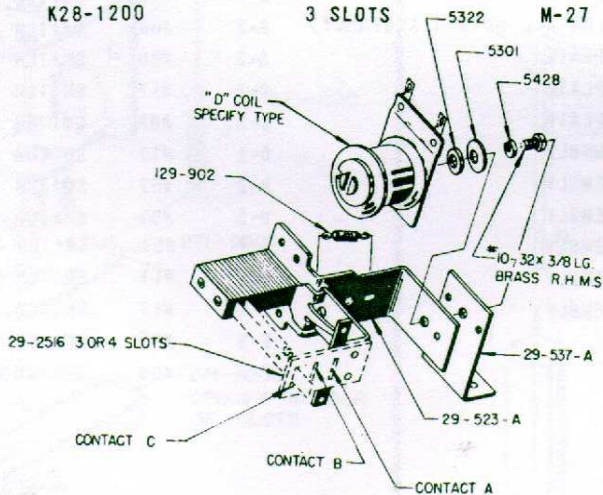
ITEM	PART NO.	DESCRIPTION
B-1	#60	SWITCH ASSEMBLY
B-2	#64	SWITCH ASSEMBLY
B-3	#9B	SWITCH ASSEMBLY
C-1	#17	SWITCH ASSEMBLY
C-2	#57	SWITCH ASSEMBLY
D-1	#17	SWITCH ASSEMBLY
D-2	#57	SWITCH ASSEMBLY
D-3	#57	SWITCH ASSEMBLY
D-4	#57	SWITCH ASSEMBLY
E-1	#17	SWITCH ASSEMBLY
E-2	#17	SWITCH ASSEMBLY
E-3	#9B	SWITCH ASSEMBLY
E-4	#9B	SWITCH ASSEMBLY



CONTACT SWITCH CODE  
 M-CONTACT OPEN WHEN COIL IS NOT ENERGIZED  
 B-CONTACT CLOSED WHEN COIL IS NOT ENERGIZED  
 T-TRIPLE CONTACT

\* 129-2516-A FRAME ASSEMBLY WITH HOLES FOR GROMMETS  
 129-2516-B FRAME ASSEMBLY WITH HOLES FOR SCREWS

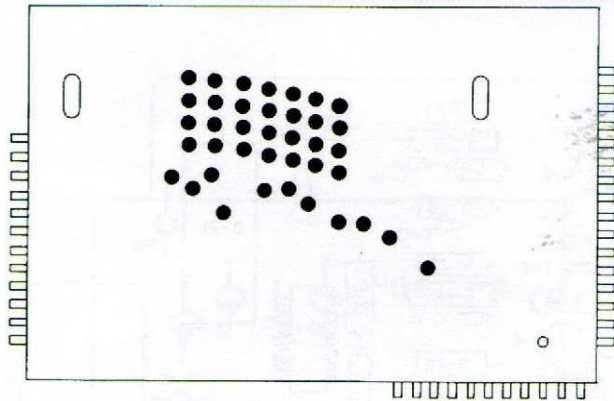
RELAY NAME	COIL	ARMATURE	A	B	C	D	E	F	G
ANTI-CHEAT RE.	K-34-4600	4 SLOTS	M-27	M-26	T-31	B-26			
BIRD RE.	K-28-1100	6 SLOTS	M-48	M-48	M-34	B-26	B-26	T-31	
COIN RE.	K-28-1200	3 SLOTS	M-27	M-26	M-26				
CREDIT RESET RE.	K-27-1000	5 SLOTS	M-27	M-26	M-26	M-26	M-26		
DEER RE.	K-28-1200	4 SLOTS	M-27	M-26	B-26	B-26			
DIVE RE.	K-28-1200	3 SLOTS	M-27	B-26	B-48				
DOWN RE.	K-28-1200	3 SLOTS	M-27	M-26	B-26				
1st. PLAYER HIT RE.	K-28-1000	6 SLOTS	M-27	M-34-A	M-26	M-34	M-26	M-48	B-26
2nd. PLAYER HIT RE.	K-28-1000	6 SLOTS	M-27	M-34-A	M-26	M-34	M-26	M-48	B-26
POP-UP RE.	K-28-1200	3 SLOTS	M-27	M-26					
PROGRAM RE.	K-28-1200	3 SLOTS	M-26						
SCORE CONTROL RE.	K-27-1000	5 SLOTS	B-26	B-26	B-26	T-31	T-31		
SLIDE BANK RESET RE.	K-28-1200	3 SLOTS	M-27	M-26	M-28				
UP RE.	K-28-1200	3 SLOTS	M-27	M-26	B-26				
1st. SHOT RE.	K-28-1200	3 SLOTS	M-28	M-28					
2nd. PLAYER RE.	K-28-1200	4 SLOTS	M-26	M-26	M-26	T-30			
#1 TRIGGER CONTROL RE.	K-28-1200	3 SLOTS	M-27	T-31					
#2 TRIGGER CONTROL RE.	K-28-1200	3 SLOTS	M-27	T-31					
#1 TRIGGER RE.	K-27-1000	5 SLOTS	M-27	M-26	M-48	M-48	M-26		
#2 TRIGGER RE.	K-27-1000	5 SLOTS	M-27	M-48	M-48	M-48	M-26		
10¢ COIN RE.	K28-1200	3 SLOTS	M-27	M-26	M-26				



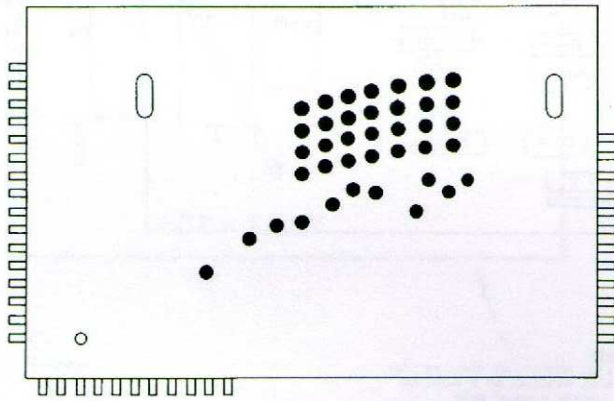
RELAY NAME	COIL	ARMATURE	A	B	C	D
SCORE RESET RE.	D-26-800'	29-2516-4	M-48	M-48	M-48	M-48
1st. PLAYER SCORE RE.	D-28-1100	29-2516-3	M-28	M-28	M-28	
2nd. PLAYER SCORE RE.	D-28-1100	29-2516-3	M-28	M-28	M-28	

CHICAGO DYNAMIC INDUSTRIES

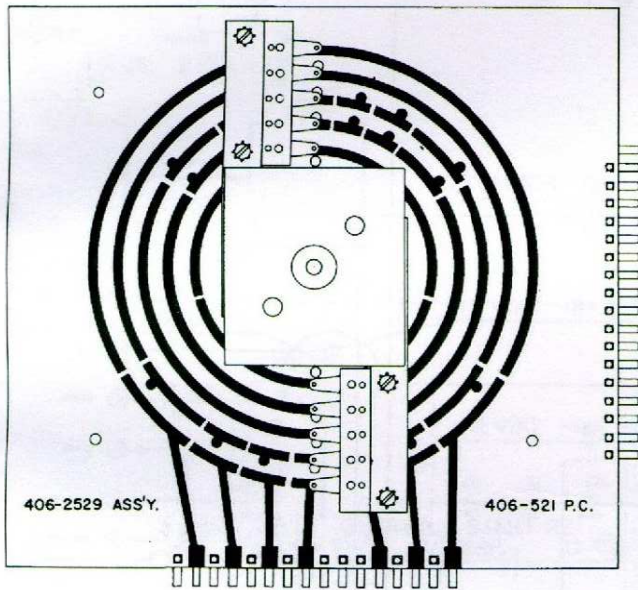
PARTS CATALOG



2nd PLAYER SCANNING DISC  
PLATE 406-2527



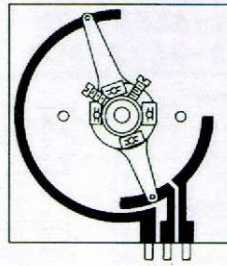
1st PLAYER SCANNING DISC  
PLATE 406-2526



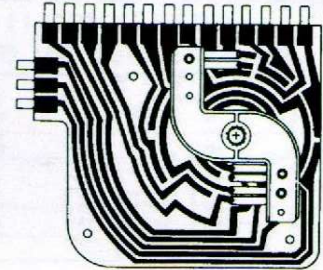
406-2529 ASS'Y.

406-521 P.C.

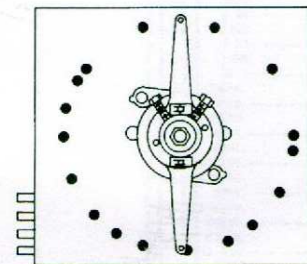
BIRD UNIT  
PLATE 406-2529  
ARM ASS'Y. 406-2505  
FINGER 386-2536 (2-REQ'D)



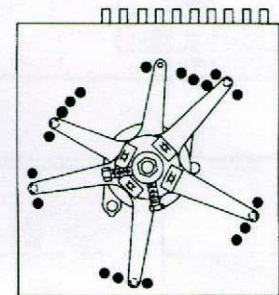
DEER UNIT  
PLATE 406-2511  
FINGER 392-2539



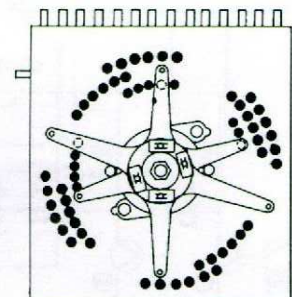
COUNTER SWITCH  
PLATE 500-2520  
FINGER 500-2519



TIMER MOTOR  
PLATE 406-2516  
FINGER 394-2517



MIRROR MOTOR  
PLATE 406-2523  
FINGER 406-2524



PROGRAM UNIT  
PLATE 406-2521  
FINGER 406-2522

# TWIN RIFLE

# SOUND UNIT

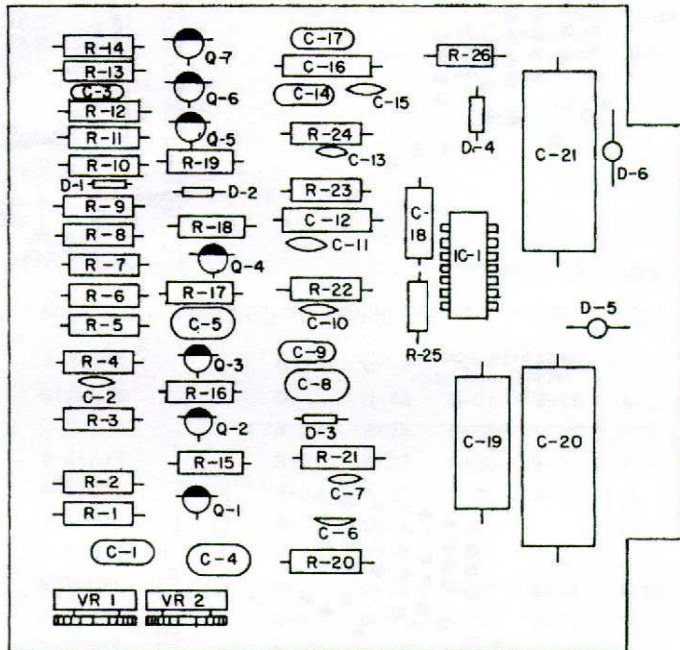
ALL RESISTORS ARE 10%, 1/2 WATT

ITEM DESCRIPTION

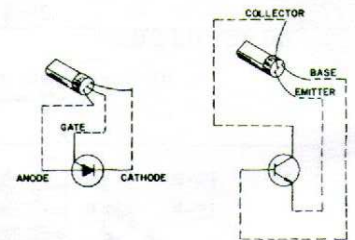
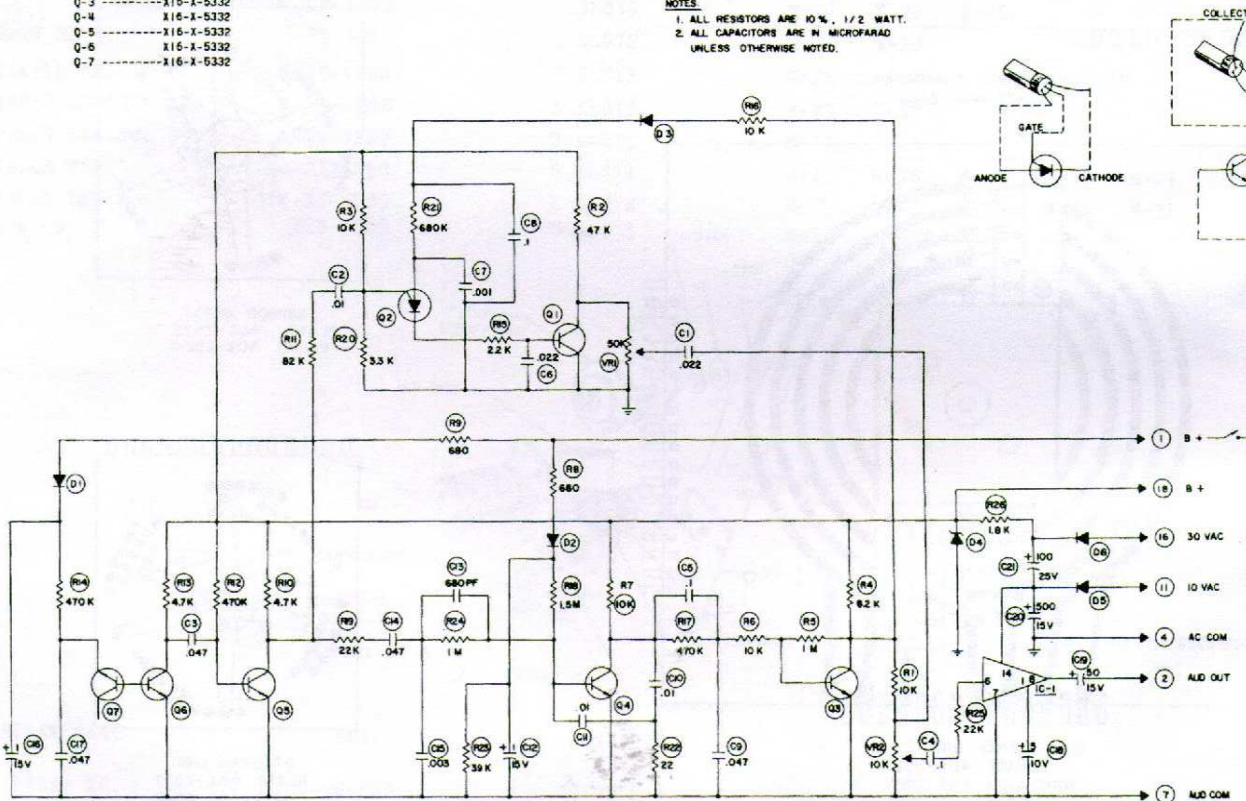
R-1	10K
R-2	47K
R-3	10K
R-4	8.2K
R-5	1M
R-6	10K
R-7	10K
R-8	680
R-9	680
R-10	4.7K
R-11	82K
R-12	470K
R-13	4.7K
R-14	470K
R-15	2.2K
R-16	10K
R-17	470K
R-18	1.5M
R-19	22K
R-20	3.3K
R-21	680K
R-22	22
R-23	39K
R-24	1M
R-25	22K
R-26	1.8K
C-1	.022MFD
C-2	.01MFD
C-3	.047MFD
C-4	.1MFD
C-5	.1MFD
C-6	.022MFD
C-7	.001MFD
C-8	.1MFD
C-9	.047MFD
C-10	.01MFD
C-11	.01MFD
C-12	1MFD (15V)
C-13	680PF
C-14	.047MFD
C-15	.003MFD
C-16	1MFD (15V)
C-17	.047MFD
C-18	5MFD (10V)
C-19	50MFD (15V)
C-20	500MFD (15V)
C-21	100MFD (25V)
Q-1	X15-X-5332
Q-2	2N5027
Q-3	X15-X-5332
Q-4	X16-X-5332
Q-5	X15-X-5332
Q-6	X16-X-5332
Q-7	X16-X-5332

ITEM DESCRIPTION

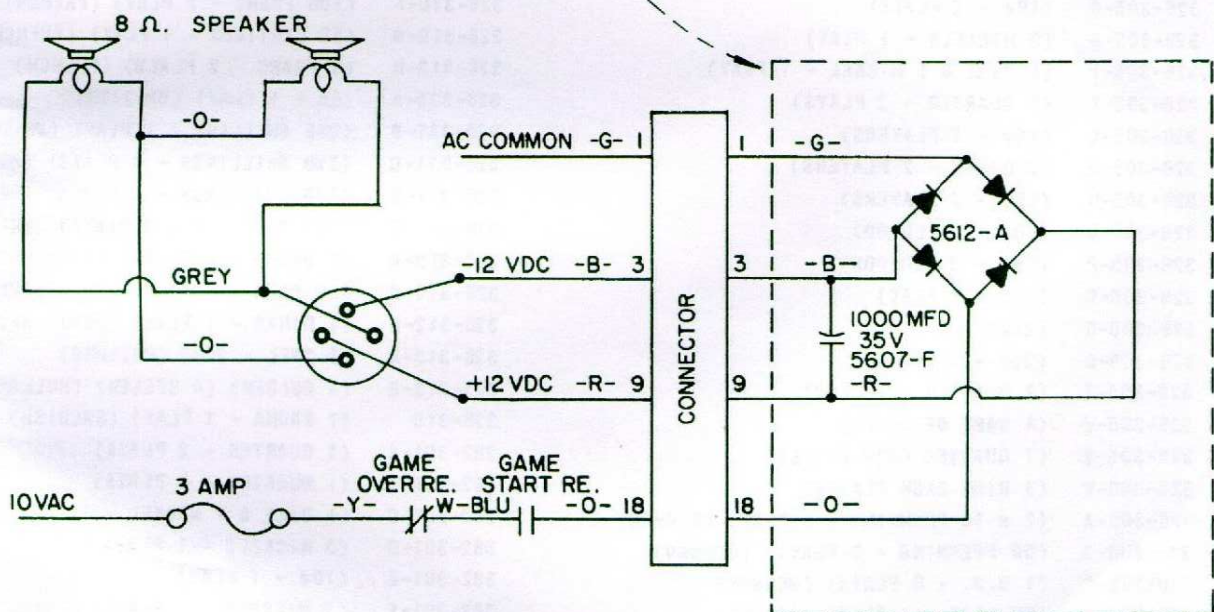
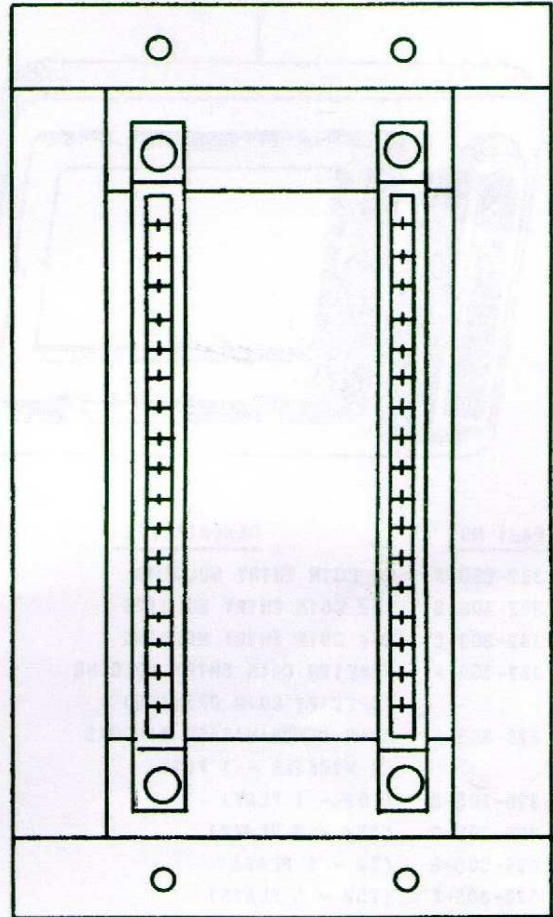
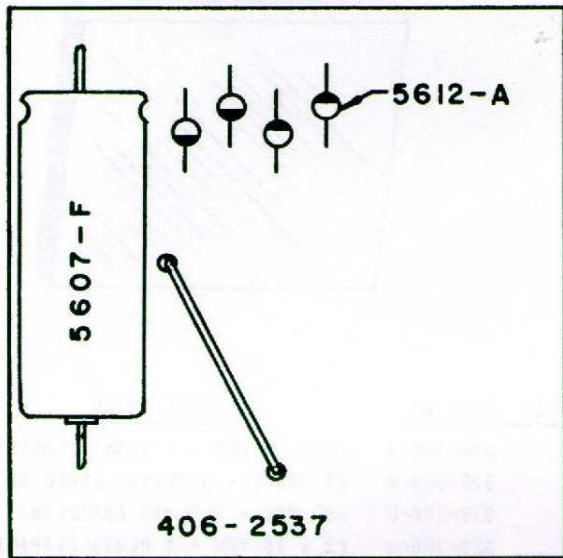
D-1	DA1704
D-2	DA1704
D-3	DA1704
D-4	1M967A
D-5	A148X373
D-6	
VR-1	50K
VR-2	10K
IC-1	URL106005



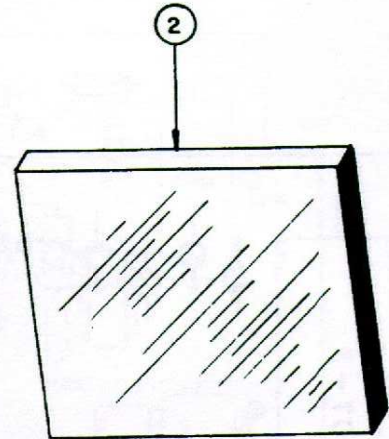
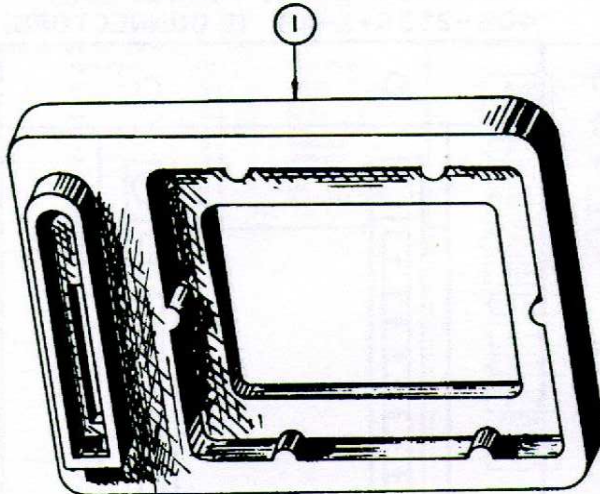
NOTES:  
 1. ALL RESISTORS ARE 10%, 1/2 WATT.  
 2. ALL CAPACITORS ARE IN MICROFARAD UNLESS OTHERWISE NOTED.



406-2536-2A (1 CONNECTOR)  
 406-2536-2-AB (2 CONNECTORS)







ITEM	PART NO.	DESCRIPTION	ITEM	PART NO.	DESCRIPTION
1	382-800-A	5¢ COIN ENTRY MOLDING		326-308-A	(2 x 25 ORE - 1 PLAY) (SWEDISH)
	382-800-B	10¢ COIN ENTRY MOLDING		326-308-B	(1 KRONE - 3 PLAYS) (SWEDISH)
	382-800-C	25¢ COIN ENTRY MOLDING		326-308-C	(50 ORE - 1 PLAY) (SWEDISH)
	382-800-F	FOREIGN COIN ENTRY MOLDING (SPECIFY COIN OPENING)		326-309-A	(2 x 10 YEN - 1 PLAY) (JAPANESE)
2	326-305-A	COIN DENOMINATION WINDOWS (2 NICKELS - 1 PLAY)		326-309-B	(50 YEN - 3 PLAYS) (JAPANESE)
	326-305-B	(10¢ - 1 PLAY)		326-309-C	(50 YEN - 1 PLAY) (JAPANESE)
	326-305-C	(25¢ - 3 PLAYS)		326-309-D	(100 YEN - 3 PLAYS) (JAPANESE)
	326-305-D	(5¢ - 1 PLAY)		326-310-A	(1/2 FRANC - 1 PLAY) (FRENCH)
	326-305-E	(25¢ - 5 PLAYS)		326-310-B	(1 FRANC - 3 PLAYS) (FRENCH)
	326-305-F	(25¢ - 6 PLAYS)		326-310-C	(1 FRANC - 4 PLAYS) (FRENCH)
	326-305-G	(10¢ - 2 PLAYS)		326-310-D	(1 FRANC - 1 PLAY) (FRENCH)
	326-305-H	(3 NICKELS - 1 PLAY)		326-310-E	(2-20 CENTIMES - 1 PLAY) (FRENCH)
	326-305-J	(1 DIME & 1 NICKEL - 1 PLAY)		326-310-F	(100 FRANC - 1 PLAY) (FRENCH)
	326-305-K	(1 QUARTER - 2 PLAYS)		326-310-G	(50 CENTIMES - 1 PLAY) (FRENCH)
	326-305-L	(25¢ - 2 PLAYERS)		326-310-H	(1 FRANC - 2 PLAYS) (FRENCH)
	326-305-M	(2 DIMES - 2 PLAYERS)		326-311-A	(6d - 1 PLAY) (BRITISH)
	326-305-N	(10¢ - 2 PLAYERS)		326-311-B	(ONE SHILLING - 1 PLAY) (BRITISH)
	326-305-O	(10¢ - 1 PERIOD)		326-311-C	(TWO SHILLINGS - 2 PLAYS) (BRITISH)
	326-305-P	(25¢ - 3 PERIODS)		326-311-D	(TWO SHILLINGS - 4 PLAYS) (BRITISH)
	326-305-Q	(25¢ - 1 PLAY)		326-311-E	(ONE SHILLING - 3 PLAYS) (BRITISH)
	326-305-R	(25¢)		326-312-A	(1 DINAR - 2 PLAYS) (YUGOSLAVIA)
	326-305-S	(25¢ - 4 PLAYS)		326-312-B	(50 PARA - 1 PLAY) (YUGOSLAVIA)
	326-305-T	(1 QUARTER - 1 PLAY)		326-312-C	(1 DINAR - 1 PLAY) (YUGOSLAVIA)
	326-305-U	(A GAME OF SKILL)		326-313-A	(1 SPEL - 25¢) (HOLLAND)
	326-305-V	(1 QUARTER EACH PLAYER)		326-313-B	(1 GULDEN) (4 SPELEN) (HOLLAND)
	326-305-W	(1 DIME EACH PLAYER)		326-315	(1 KRONA - 1 PLAY) (SWEDISH)
	326-306-A	(2 x 10 PFENNING - 1 PLAY) (GERMAN)		382-301-A	(1 QUARTER - 2 PLAYS)
	326-306-B	(50 PFENNING - 3 PLAYS) (GERMAN)		382-301-B	(1 QUARTER - 3 PLAYS)
	326-306-C	(1 D.M. - 6 PLAYS) (GERMAN)		382-301-C	(1 DIME & 1 NICKEL - 1 PLAY)
	326-307-A	(50 LIRE - 1 PLAY) (ITALY)		382-301-D	(3 NICKELS - 1 PLAY)
	326-307-B	(100 LIRE - 2 PLAYS) (ITALY)		382-301-E	(10¢ - 1 PLAY)
	326-308-A	(2 x 25 ORE - 1 PLAY) (SWEDISH)		382-301-F	(2 NICKELS - 1 PLAY)

CHICAGO DYNAMIC INDUSTRIES

PARTS CATALOG