



BASIC SETUP AND INSTALLATION MANUAL



AIM FOR EXCELLENCE

- Please read these instructions carefully before setup and installation of the machine.
- Keep this manual in a safe place for later reference.

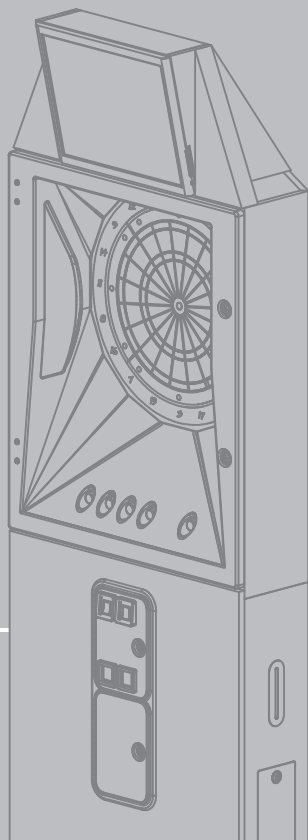


Table Of Contents

Safety Precautions	1
1. Basic Specifications	2
2. Spectrum eTEC Parts	3
3. Cabinet Configuration	4
4. Assembly And Installation Instructions	7
5. Camera Installation And Setup	11
6. Technical Information	12
6A. Exploded Drawing	12
6B. I.O. Board Layout	20
6C. Main Board Connections	22
6D. Wiring Diagram	23
7. Troubleshooting	24
8. Software Settings	26
9. Program Mode Diagram	30
 Master Parts List	

Safety Precautions

Spectrum eTEC has been engineered and manufactured to ensure personal safety. However, improper use can result in potential electrical shock or fire hazard. You must observe the following basic rules for installation, use and servicing. Failure to do so may defeat the safe guards incorporated into the Spectrum eTEC and may result in injury.

Warning

1. It is critical that the board is leveled prior to opening the upper cabinet door to prevent the game from falling over.
2. Be extremely careful when moving the dart board into position; leg levelers may catch on the floor causing the dart board to tip over.
3. Always unplug the power to the dart board before moving.
4. To reduce the risk of fire or electrical shock, **DO NOT** expose the dart board to any moisture.
5. To reduce the risk of electrical shock or possible death, **DO NOT** touch these areas where high voltage is present; power supply, voltage terminal strip and lamps.

Caution

1. Before power is connected, confirm the game is level. If the game is not level/stable, adjust the leg levelers.
2. The Spectrum eTEC is equipped with a grounded AC line plug. This safety feature allows the plug to fit into any local grounded power outlet. If ground is not present in AC system the Aux ground should be properly connected to the nearest ground point. If you have any problems, contact a licensed electrician.
3. Operate the dart board from a power source as indicated in the specification of this manual. If you are not sure what type of power you have, consult your local power company.
4. Overloaded AC plugs, power strips, extension cords, frayed power cords and broken plugs may cause system overload and/or fire.
5. **DO NOT** allow anything to rest upon or roll over the power cord.
6. **DO NOT** place the dart board where the power cord is subject to damage.

1 - Basic Specifications

1. *Main Unit	Top Mount	Mid Mount
Height	94½" with LCD monitor installed	86½" with crown installed
	79¾" without LCD monitor installed	75½" with crown installed
Width	29"	29"
Depth	13¾"	13¾"
Weight	94.5 kilos, 209 pounds	94.5 kilos, 208 pounds
Max Environment Temperature	105°F	

2. *Step Extension	
Height	4½"
Depth	8"
Width	29"

3. *Monitor	
Screen	19" LCD 17"LCD

4. *Main Board	
Make/Model	MSI K8MM-V
CPU	AMD, Socket 754, Sempron 2500/2600
Memory	256 MB/DDR
Embedded peripherals	Audio, Video, USB, LAN

5. *I.O. Board	
Designed and developed by Medalist	
I.O. Board Software version 5.4	

6. *Power Supply	
Type	ATX
Input	120/230 VAC (Selectable)
Output	+3.3Vdc/28A
	+5Vdc/40A
	+12Vdc/12A
	-5Vdc/0.3A
	-1 2Vdc/0.8A
Max output power	400W

2 - Spectrum^{ELITE} Parts Check List

Unpacking and Inspection

1. Remove Spectrum **e3TEC** lower cabinet, upper cabinet, and LCD monitor/crown from the boxes and inspect for any damage.
2. Confirm that all parts are included.

Parts List

1. Spectrum **e3TEC** upper cabinet assembly
2. Spectrum **e3TEC** lower cabinet assembly
3. LCD monitor assembly
4. Hardware kit
 - A. Monitor/crown assembly bolts (3)
 - B. Key set (2)
5. Accessory kit
 - A. Bar darts (6)
 - B. Bar dart tips (1 bag)
 - C. Throw line (1)

3 - Cabinet Configuration

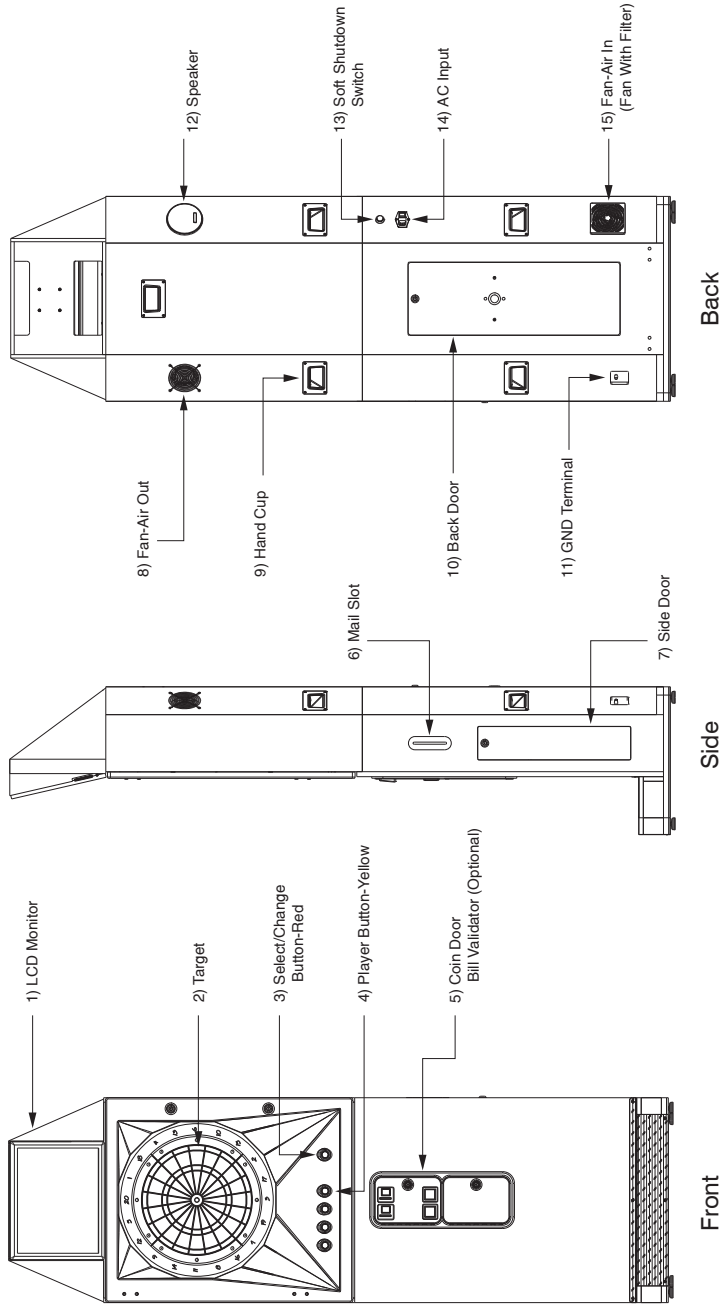


Figure 1.1: Cabinet Configuration e_sTEC (T)

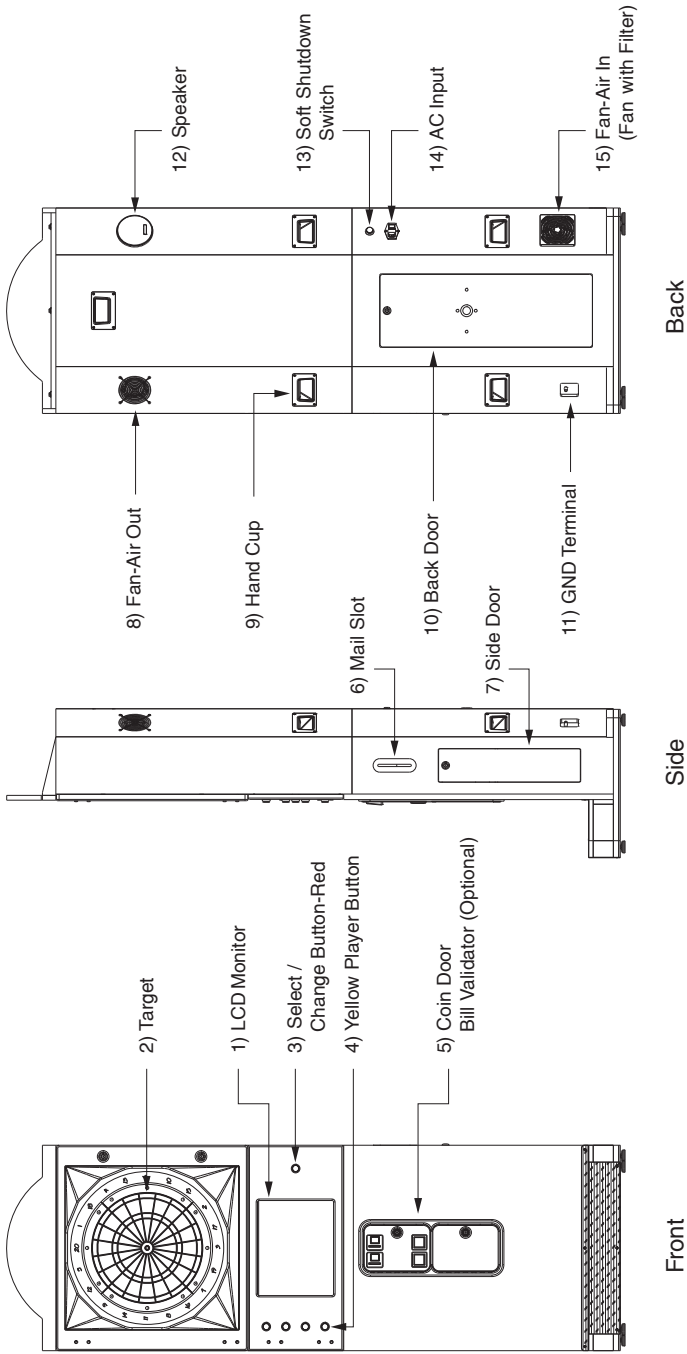


Figure 1.2: Cabinet Configuration e-TEC (M)

Item	Name	Function
1	LCD Monitor	For display. Can adjust the display quality by using the LCD button located on the right side of the LCD
2	Target	Primarily to register dart scores, also used to input various information
3	Red Select/ Change Button	Interfaces with software. Normally this button is used to scroll cursor and change players
4	Yellow Player Button	Interfaces with software. Normally this button is used for selecting games and selecting the number of players to play the game
5	Coin Door	Where coins are inserted/DBA knockout plate
6	Mail Slot	To send mail to operators/dealers, such as records of tournaments or league
7	Side Door	Used to access the mail box
8	Fan-Air Out	To blow hot air from inside the cabinet out
9	Hand Cup	For transportation and assembly of the cabinet
10	Back Door	Additional access door
11	GND Terminal	Connects the cabinet ground to earth ground
12	Speaker	Sound
13	Soft Shutdown Switch	Used for software shutdown (recommended)
14	AC Input	Insert for the AC power cord
15	Fan-Air In	To bring filtered air from outside the cabinet in

4 - Assembly And Installation Instructions

1. Install the leg levelers to the bottom of the lower cabinet.
2. Place the lower cabinet in the desired location and adjust each leg leveler until the lower cabinet is level from front to back and side to side.

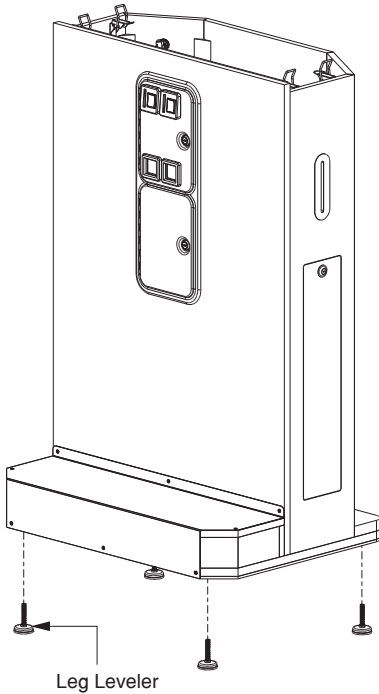


Figure 2.1: Installation Of Leg Leveler

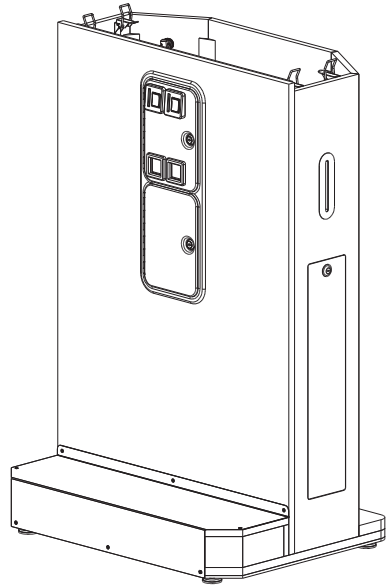


Figure 2.2: Lower Cabinet Complete Unit

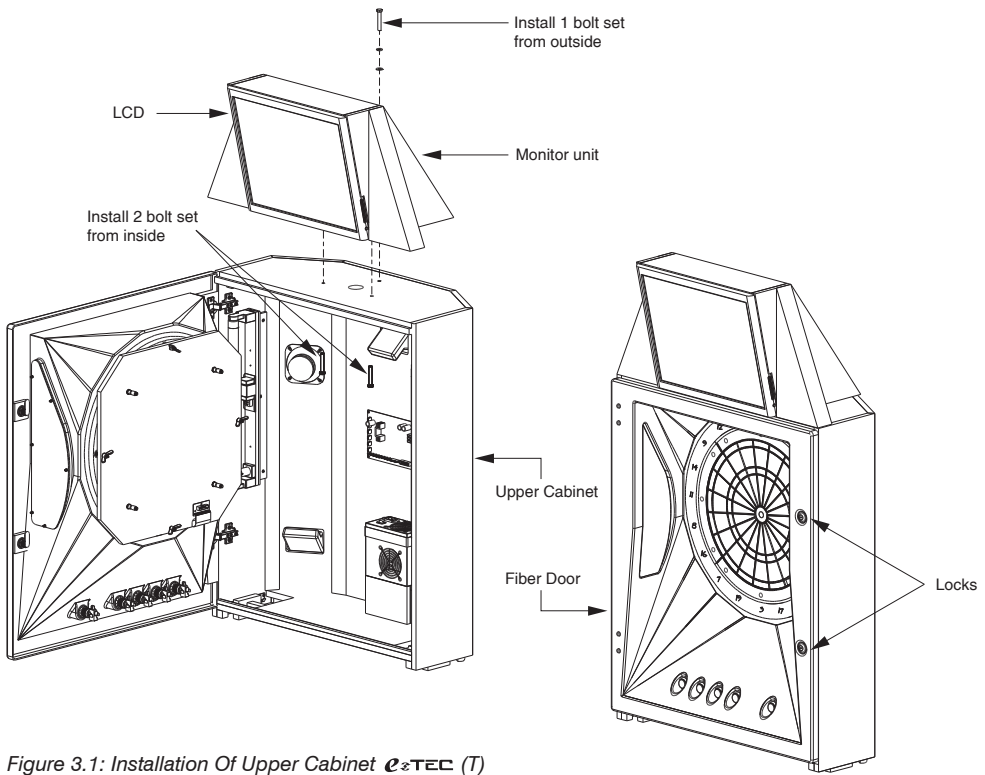


Figure 3.1: Installation Of Upper Cabinet eTEC (T)

Figure 3.2: Upper Cabinet Complete Unit eTEC (T)

3. Using two people, lift the upper cabinet and place it on top of the lower cabinet.
4. With someone stabilizing the upper cabinet, open the back door and lock the four hook latches to secure the upper cabinet to the lower cabinet.
5. I nstall the monitor/crown to upper cabinet using the three bolts provided.
6. Route the VGA cable up through the hole in the top of the cabinet and connect it to the LCD.
7. Route the LCD power connector down through the hole in the top of the cabinet and connect it to the 9 pin power connector inside the cabinet.

* For Top Mount Board Only

9. Connect the connectors from the lower wiring harness to the upper wiring harness.
10. Connect the power cord to power input module on the back of the cabinet.
11. Using the ground cable provided, attach the GND Terminal to earth ground. This terminal is only to be used, when earth connection is not provided by the power supply source.
12. Adjust leg levelers as needed then proceed to game setup.
13. Double check all of the connections before powering up the Spectrum **eTEC**.
14. Lock the fiber door with key.

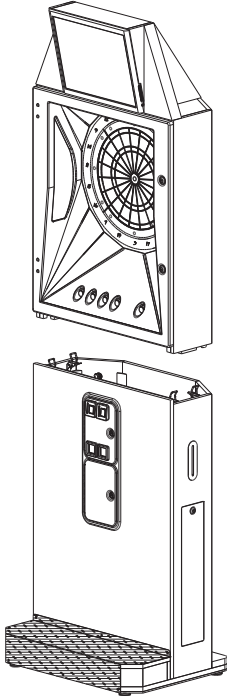


Figure 4.1: Install Upper Cabinet To Lower Cabinet eTEC (T)

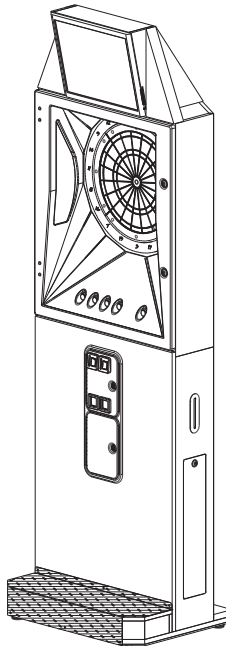


Figure 4.2: Complete Unit Installation eTEC (T)

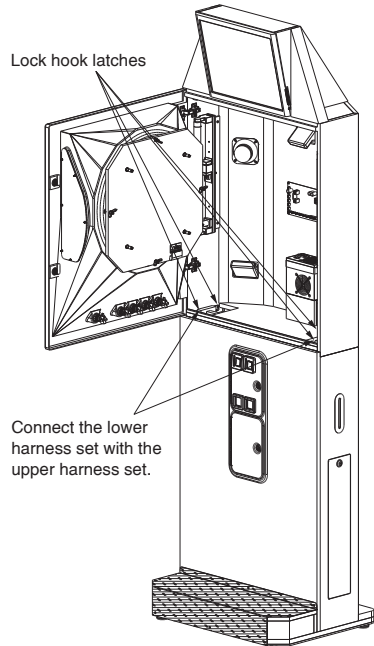


Figure 4.3: Open The Back Door To Lock The Hook Latches eTEC (T)

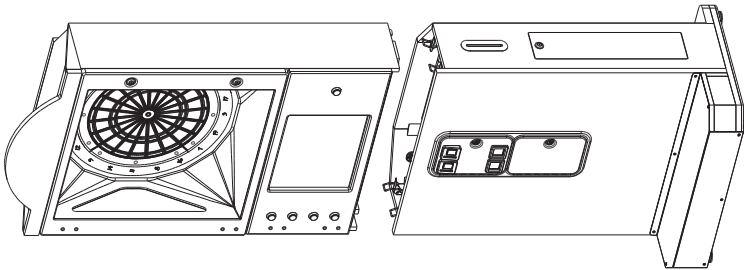


Figure 4.3: Install Upper Cabinet To Lower Cabinet **e₂TEC** (M)

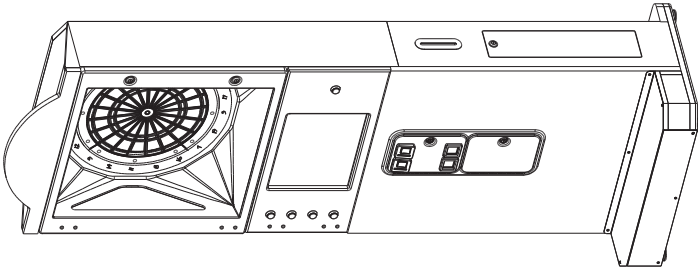


Figure 4.4: Complete Unit Installation **e₂TEC** (M)

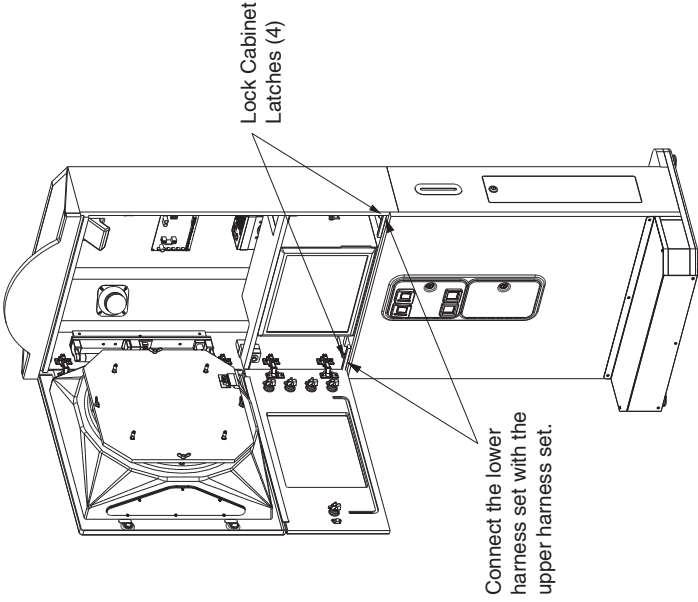


Figure 4.5: Open The Back Door To Lock The Hook Latches **e₂TEC** (M)

5 - Camera Installation And Setup

(Digital Camera Optional)

Installation

1. Thread the USB camera cable through the 1" hole in the upper right side of the game.
2. While holding the camera box to the upper right hand side of the game with the camera hole facing outwards, thread two 6mm bolts from the inside of the game into the camera box inserts.
3. Plug the USB camera cable into one of the two USB ports.

Setup

1. Press the Program Mode Access Button located on the I.O. board to enter game setup mode. Go to Diagnostics/Webcam Test to focus. Go to Game Settings/Player Pix to set pricing and the Photo Delete password.

Note: *The Photo Delete password is set in Game Settings/ Player Pix by using the Yellow Player Buttons to set a numeric password that corresponds to the Yellow Player Buttons (i.e. 1111 equals pressing the player one button four times). The password must be four to eight numbers in length.*

2. Adjust focus by turning the black focus ring around the camera lense. Focus the camera to the distance of the throw line.
3. To access Photo Delete without entering the Operators' Setup Mode, go to Main Menu/Player Pix. Press and hold the Yellow Player Buttons two and three simultaneously. This will take you to the enter password screen. The password is entered by using the Yellow Player Buttons. Once the password is accepted, follow the screen prompts to delete photos.

6 - Technical Information

6A. Exploded Drawing

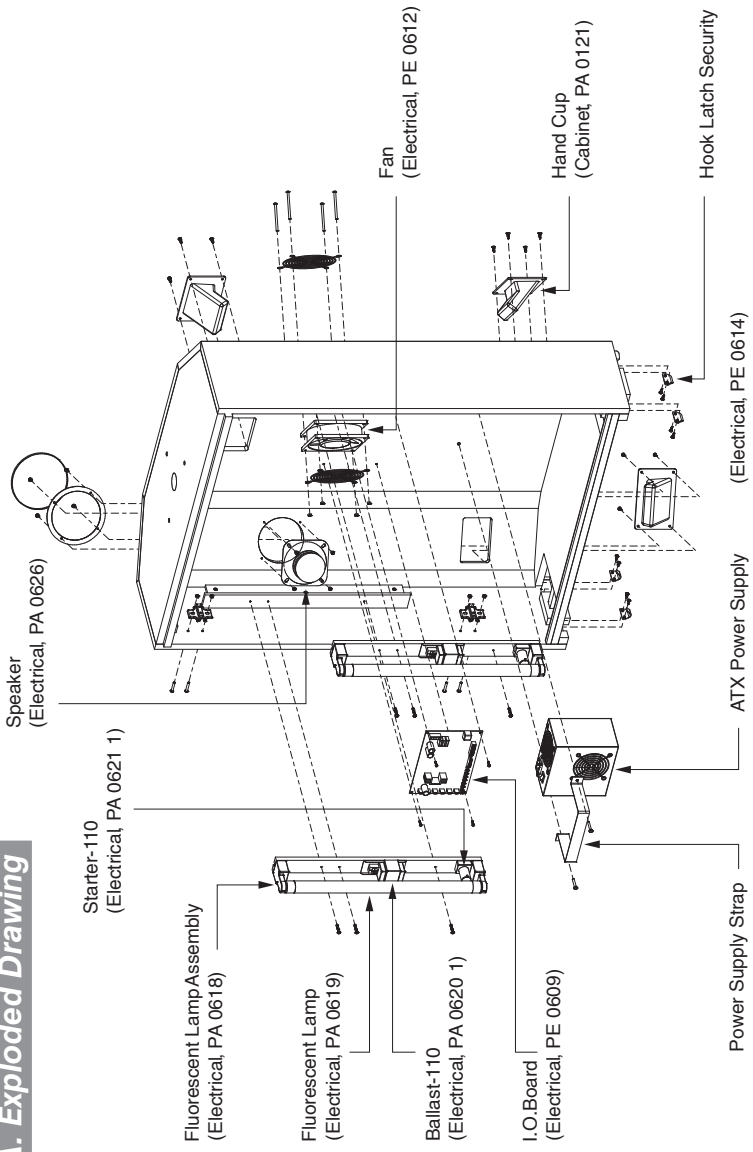


Figure 5.1: Exploded Upper Cabinet **eTEC (T)**

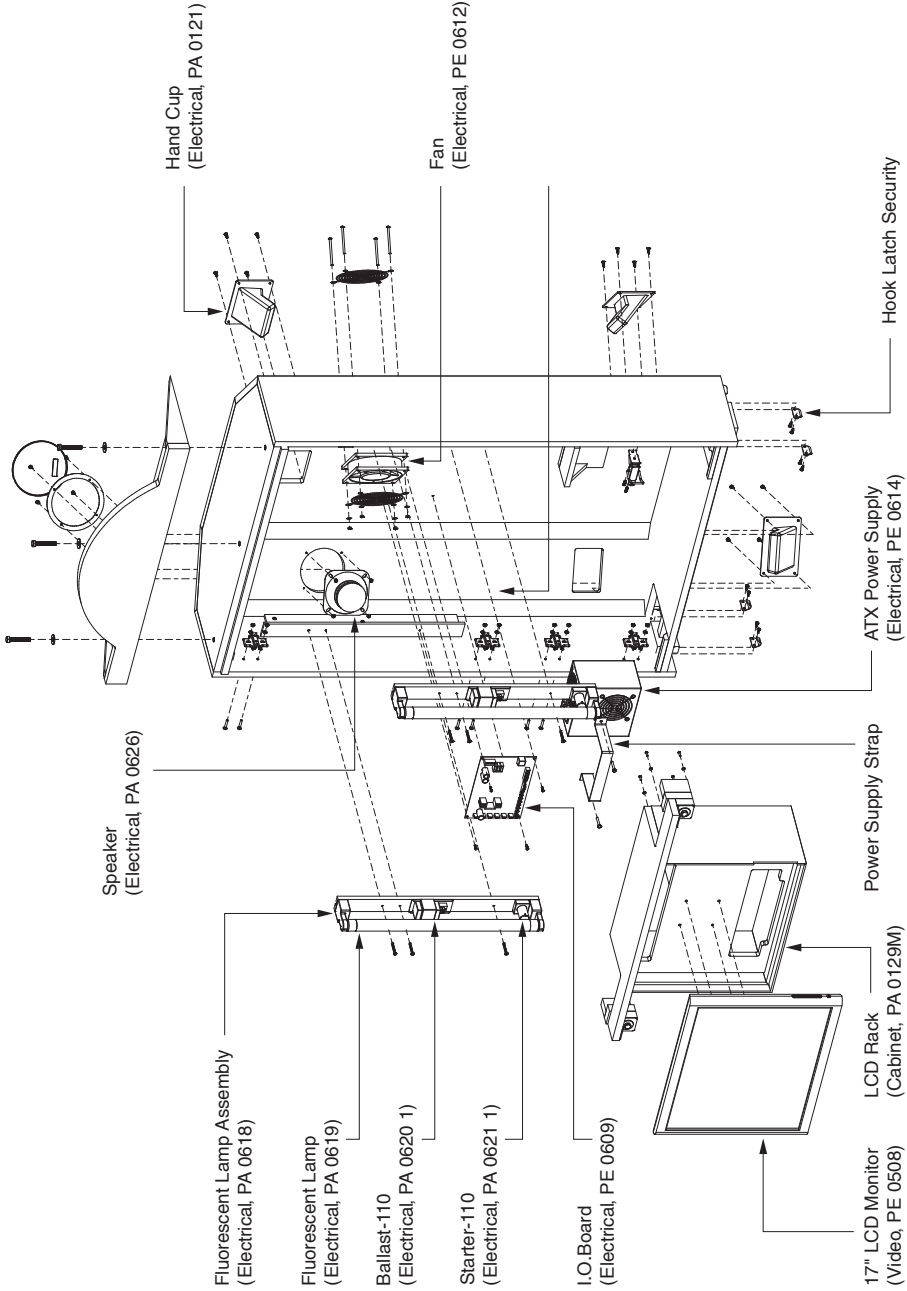


Figure 5.2: Exploded Upper Cabinet e&TEC (M)

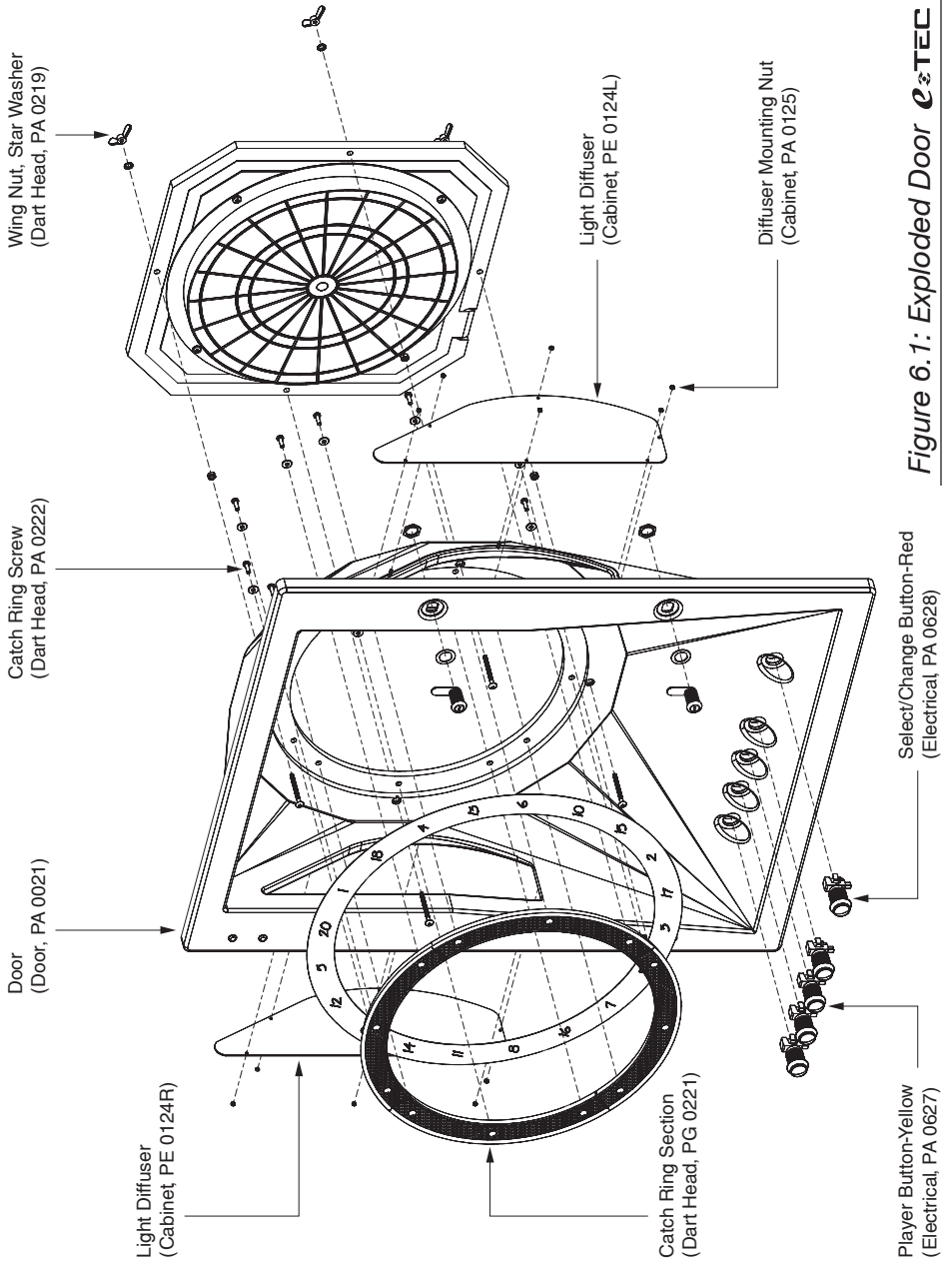


Figure 6.1: Exploded Door **e-tec** (1)

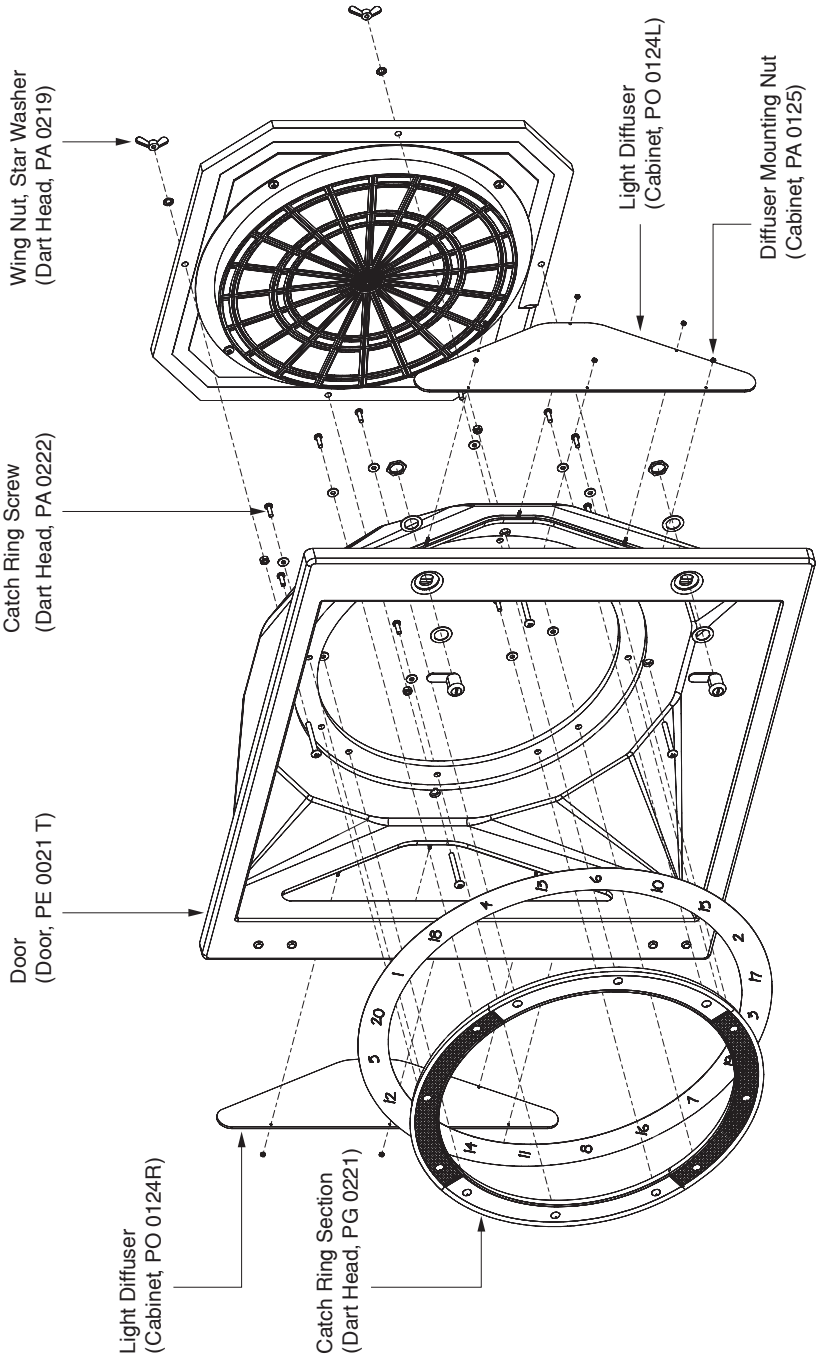


Figure 6.2: Exploded Door e3TEC (M)

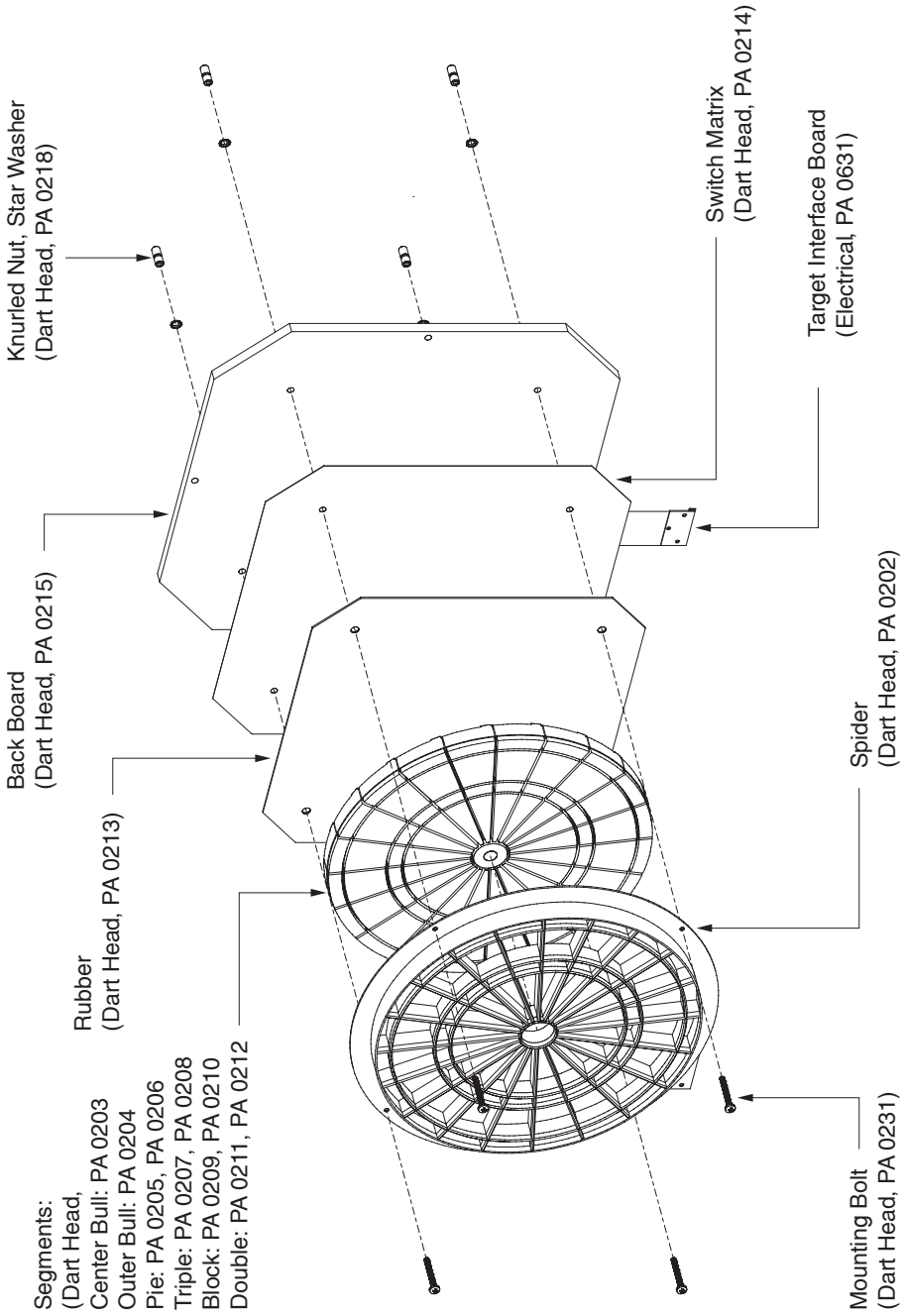


Figure 7: Exploded Dart Head

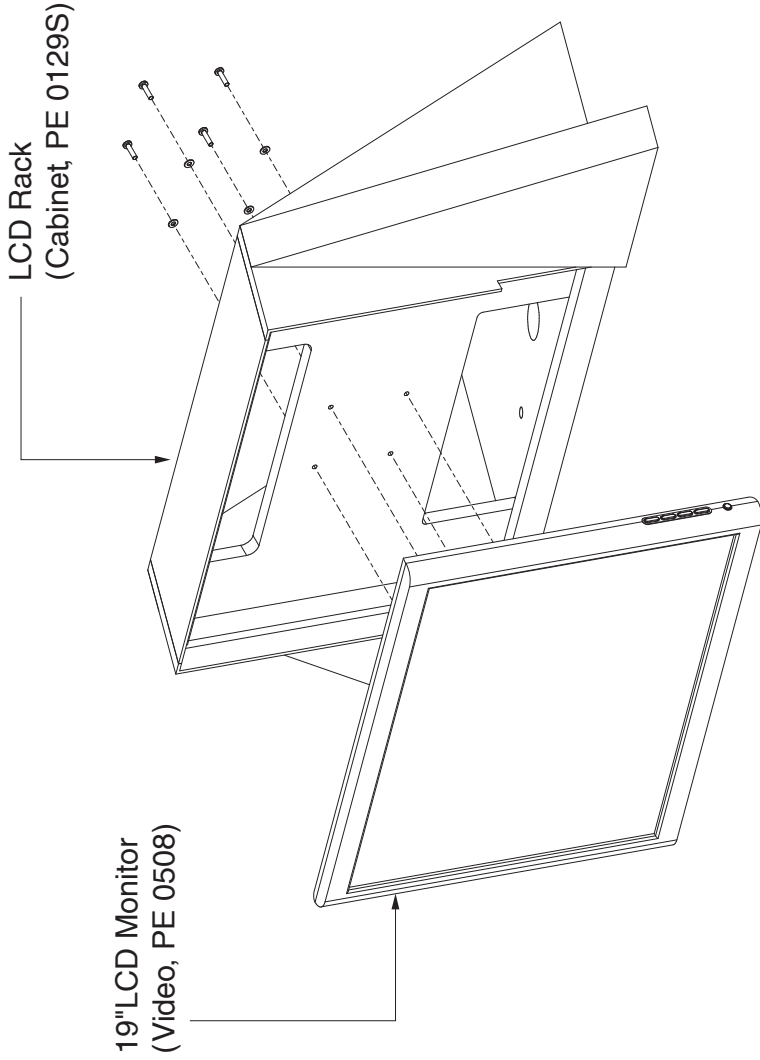


Figure 8: Exploded Monitor Unit eTEC (T)

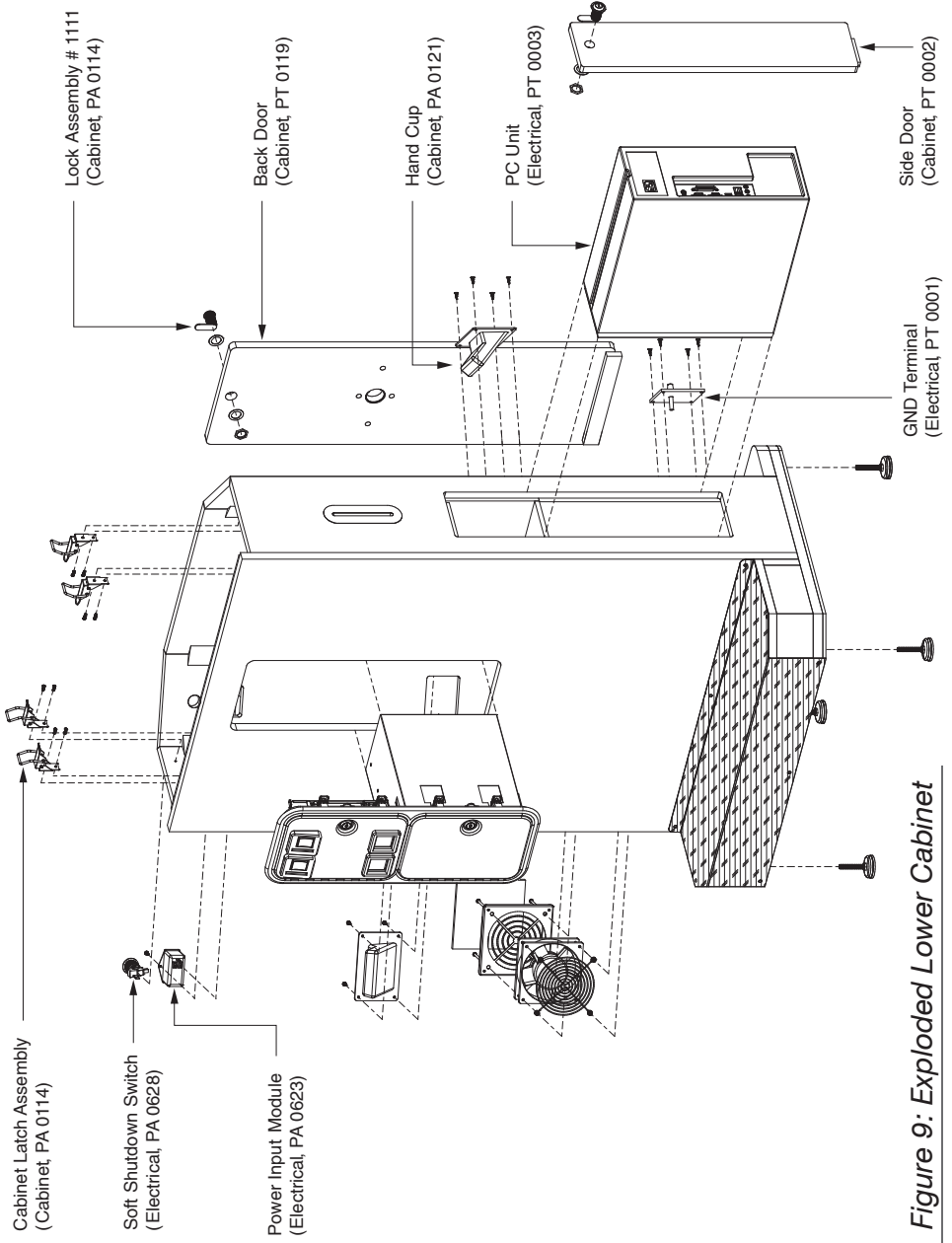
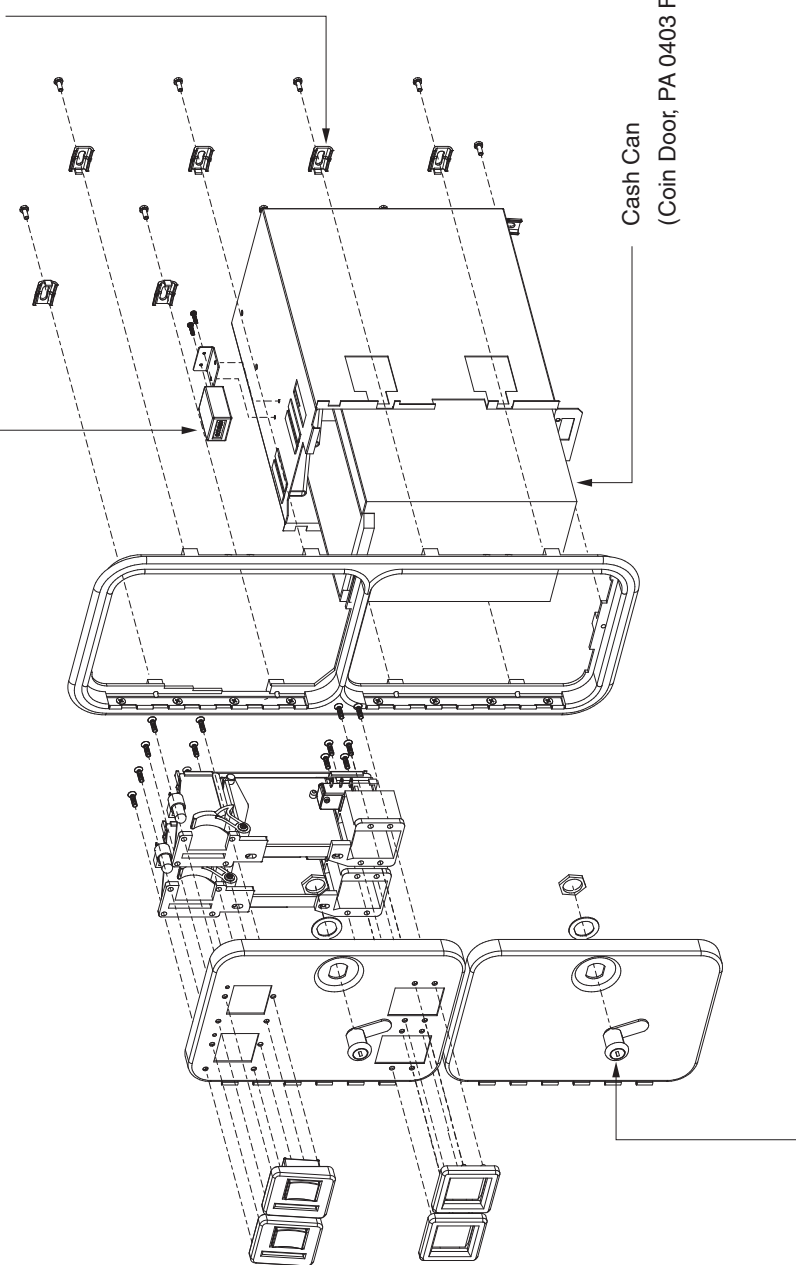


Figure 9: Exploded Lower Cabinet

Die Cast Frame Holder
With Hex Flange Bolt

Cash Can
(Coin Door, PA 0403 F)

(Coin Door, PA 0420)



Lock Assembly #2000
(Cabinet, PA 0141)

Figure 10: Exploded Coin Door

6B. I.O. Board Layout

Port	Description	Input	Output
CN1	Load Program ISP	4	-
CN2	RS232 Communication	1	1
CN3	DC Power	-	-
CN4	Audio Signal Input	1	-
CN5	Audio Signal Output To Speaker	-	1
CN6	Target Input	16	4
CN7	Button/Lights	5	5
CN8	Input Signal Of Coin Count-Up.	2	-
CN9	Player Change Sensor	1	-
CN10	Missed Dart Sensor	1	-
CN11	Bill Validator Input	1	-
CN12	Soft Power Down	1	-
CN13	Coin Box Sensor	1	-
CN14	Spare Input 1	1	-
CN15	Spare Input 2	1	-
CN16	Spare Input 3	1	-
CN17	Spare Input 4	1	-
CN18	Coin Counter 1	-	1
CN19	Coin Counter 2	-	1
CN20	Meter Counter	-	1
CN21	Flashing Lights	-	1
CN22	Solid State Switch 1	-	1
CN23	Solid State Switch 2	-	1
CN24	Spare Output 1	-	1
CN25	Spare Output 2	-	1
CN26	Spare Output 3	-	1
CN27	Spare Output 4	-	1
CN28	Spare Output 5	-	1

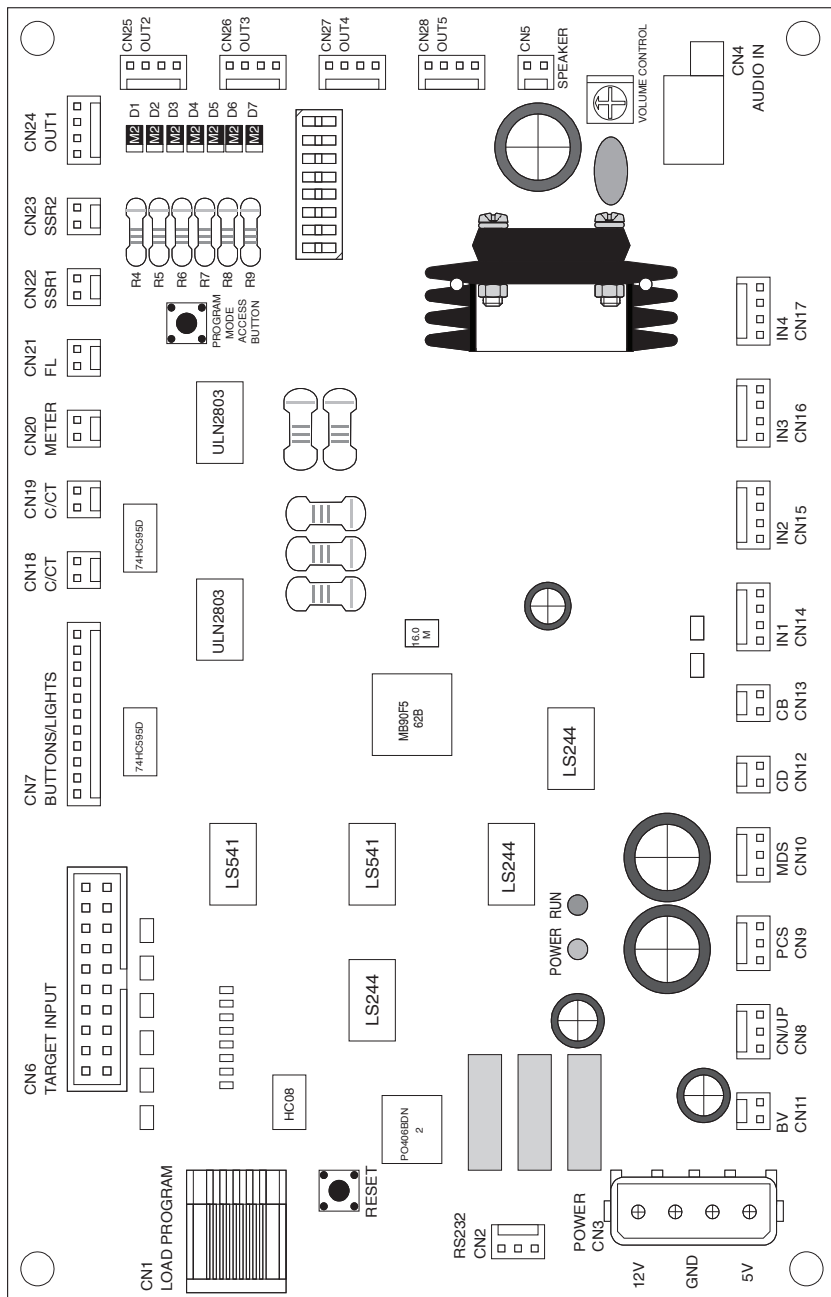


Figure 11: I.O. Board Layout

6C. Back Panel Of PC Unit

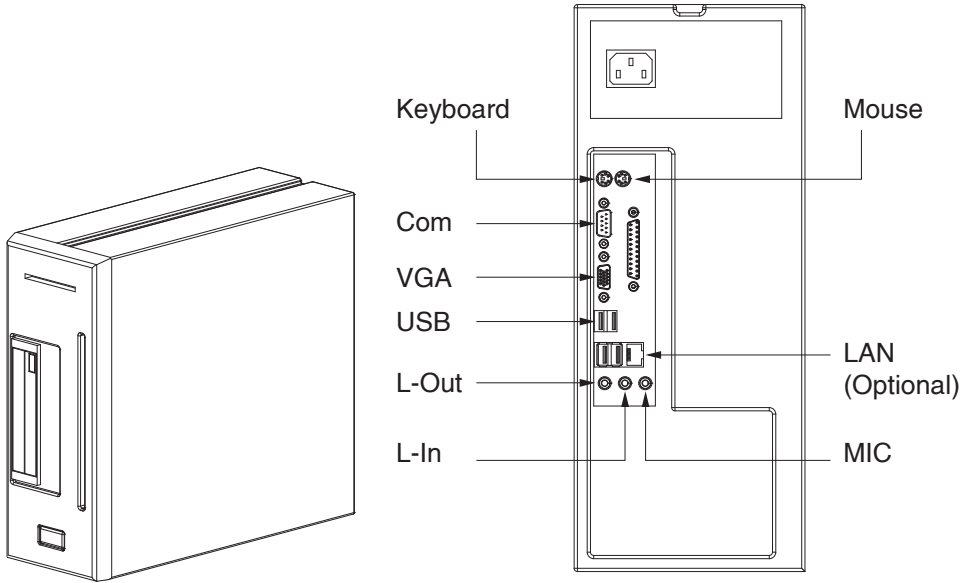
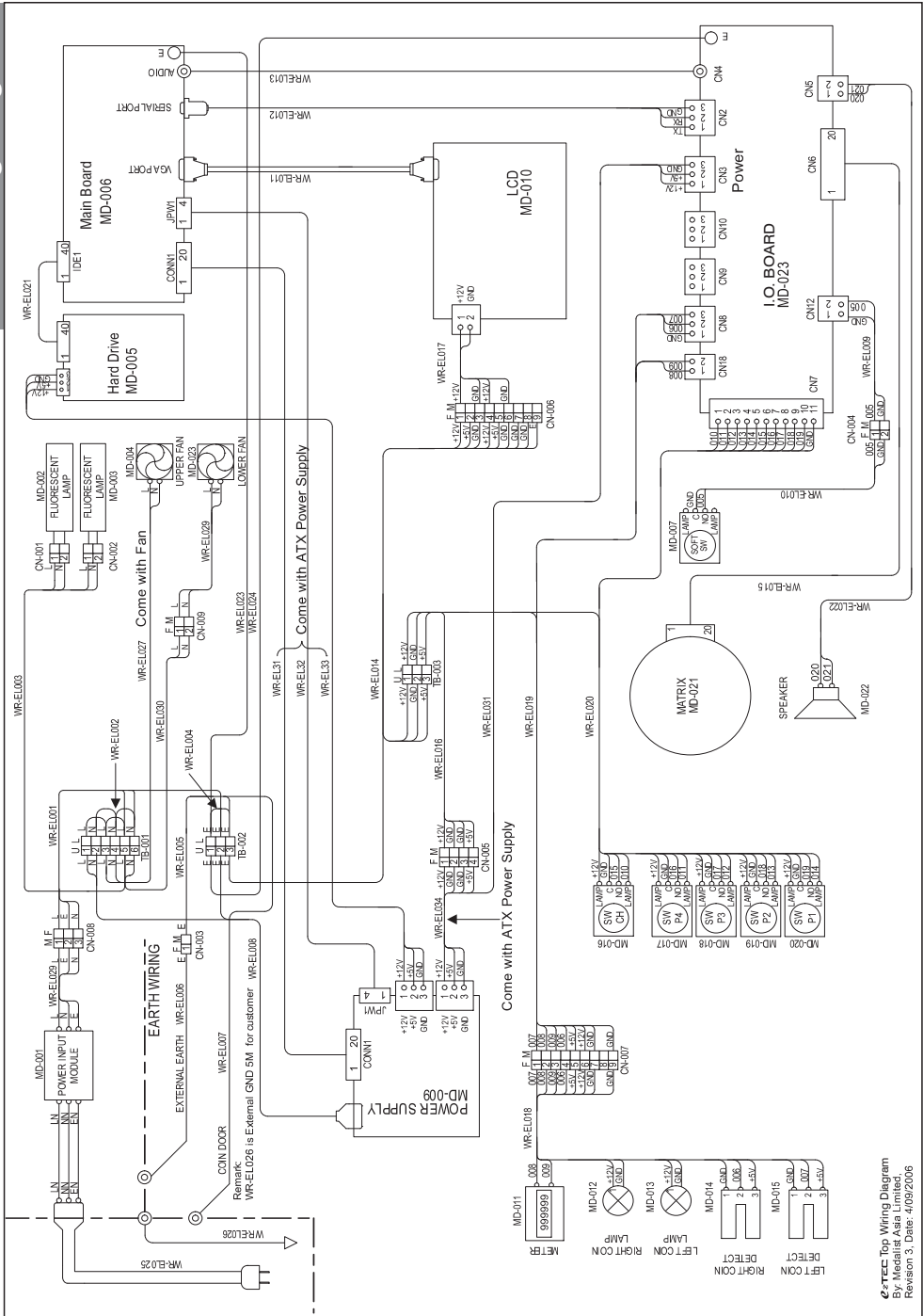


Figure 12: Back Panel Of PC Unit

Name	Function	Connect to
AC Power Input	Supply AC Power To PC Unit	AC Power
Com Port	Serial Communication With I.O. Board	DB9 Cable
VGA Port	Send Video Signal To Monitor	VGA Cable
USB Port	Multi-Function - Software Update - Camera	Thumb Drive, Camera Cable
Audio Signal Out	Send Audio Signal To I.O. Board	Audio Cable



7 - Troubleshooting

No Power

1. Check for correct voltage at wall receptacle using digital voltmeter.
2. Check fuse with digital voltmeter or continuity tester.
3. Remove power cord and check wiring from AC power cord to power supply.
4. Reapply power cord and check for correct voltage at power supply AC input plug.
5. Check on/off switch with digital voltmeter or continuity tester.
6. Check AC power cord.

No Display On LCD

1. Check power to LCD.
2. Check the VGA cable.
3. If the motherboard has been replaced but does not start, you may need to press the soft power button at the front the PC Unit.
4. If the motherboard appears to be booting up but there is still no display the LCD may need to be replaced.

No Sound

1. Check the volume control on the I.O. board.
2. Check for proper connections at the main board, I.O. board and speaker.
3. If the connections are good and there is still no sound, the speaker may need to be replaced.

No Lamps

1. If one side is working, swap lamps and starters to determine if either is defective.
2. If neither side is working, check for correct voltage at the lamp connector located just below the lamp holder.
3. If the voltage is correct, install a new lamp and/or starter.

No Lamps (Continued)

4. If voltage is not present, trace the wiring back to the terminal strips located behind the power supply using a digital voltmeter.
5. If voltage is present but lamps do not work, install a new lamp holder.


No Coin-up

1. Check wiring from the coin switches to the I.O. board connector CN 8.
2. Manually short ground pin to the center pin of connector CN 8 on the I.O. board using a small metal screwdriver and check for coin-up.
3. If the dart board can be manually coined-up at the I.O. board, the problem is the wiring or the coin switches.
4. If the dart board cannot be coined-up at the I.O. board, the I.O. board may need to be replaced.

Stuck Segment

1. Unplug the ribbon cable from the target interface board. If the stuck segment error message goes away, the problem is in the dart head assembly.
 - If the problem is in the dart head assembly, first remove and clean the rubber and matrix and remove all tips from behind the rubber as well as in and around the target segments
 - The rubber may need to be replaced if it is severely indented
 - The matrix may need to be replaced if the problem still exists
2. Unplugging the ribbon cable from the target interface board does not eliminate the stuck segment error message, re-install ribbon cable into the target interface board and remove the other end from the I.O. board located inside the upper cabinet.
 - If the problem goes away, the ribbon cable may need to be replaced
 - If the problem does not go away, the target interface board may need to be replaced

8 - Software Setting

To access the Spectrum  **TEC** software on the I.O. board, find and press the S2 PM black button on the I.O. board. This will take you to the Program Mode. Changes to Games, Display, Date & Time, the File and the Board itself can be made from here. You may also run Diagnostics and check Reports. Use the Red Player Change Button to scroll to a desired category and then any Yellow Player Button to select that category.

Selecting Game Settings

1. NEW
2. 01 Games
3. Cricket Games
4. Practice Games
5. Goodtime Games
 - Selecting any of these first four options will allow you to choose if the game is displayed or not, the Happy Hour and Regular Price Credits, Round Limit, Single or Double Bull, Robo Rival (depending on game), Extended Play Credits and Extended Play Rounds
6. Game Options
 - Selecting this brings up a submenu with 01 Games, Cricket Games, Practice Games, Goodtime Games, Match Play Settings, and General Settings
 - 01 Games, Cricket Games, Practice Games and Goodtime Games will show the options for those games. Selecting the option will allow you to take it off the menu or charge for using the option in a game
 - General Settings will allow you to change the number of times Correct-A-Dart can be used. General Settings allows you to turn on/off Handicapping, Non Cut-Throat Games, Medalist Rating, Out Chart Displayed and Freeze Warning
You can also set the pricing for Doubles and Trios in League and select the stat format (PPD/PPR)

Selecting Game Settings (Continued)

7. Player Pix Options

- Set Happy Hour and Regular Pricing. Password allows you to give a password to the location in case they would like to delete pix that have been placed on the board thus saving a service call (to use set password, enter Player Pix screen and press Yellow Player Buttons 2 and 3 simultaneously, then enter password using player buttons and follow instructions to delete) Set the amount of time before the picture is snapped and set the number of times password may be tried, and also time between password retry

Selecting Display Settings

1. Language

- Changes instructions to the selected language

2. Top Ten List

- Brings up submenu with Count-Up, Cricket Count-Up, Eagles Eye, Half-It, Super Count-Up and Super Cricket Count-Up
- Selecting any of these will allow you to view and edit list, clear current list and set the amount of time before the list clears automatically or if the list is displayed at all

Selecting Date And Time Settings

1. Date & Time

- Changes date and time displayed by board

2. Pricing

- Displays the days of the week. By selecting a day you can change the pricing for any hour during that day from Normal Play to Happy Hour or Free Play

3. Auto Soft Shutdown

- This allows you to set a time when the board will shut down

Selecting Report

1. Event Log

- Displays all events that happened on the board (i.e. stuck segments or buttons)

2. Counters

- Shows coin and bill amounts that have gone into the board

Selecting Report (Continued)

3. Delete Credits
 - Clears any credits currently on the board
4. Delete Photos
 - Brings up a screen to show you how to delete any photos currently on the dart board

Selecting Diagnostics

1. Matrix
 - A target will appear on screen. To check your Matrix touch segments on the dart board and see if they correspond to the screen
2. Button And Lights
 - A button panel will appear on screen. Press buttons to test
3. Coin/Bill Latch Test
 - Insert coins or bills and screen will show amount inserted
4. Audio Test
 - A small audio clip will run
5. Video test
 - Test using several standard formats
6. Webcam Test (Digital Camera)
 - Displays camera view, adjust if necessary

Selecting Board Setting

1. Credit Settings
 - Choose credits for pulses to be selected
2. Anti-Free Darts
 - Turned on or off and select amount of darts thrown before warning will sound
3. Operator Settings
 - Turne on/off: Power Recovery, Extended Play, Erase Credits Timer and Free Play features
 - Change the amount of time from when a player hits the Red Player Change Button to the next player's turn
 - Enable or disable Automatic Player Change and change the amount of time between player's turn
 - Enable or disable Match-It

Selecting File Load Setting

Selecting File Load Setting allows you to load either Factory Settings 1, 2 or 3.

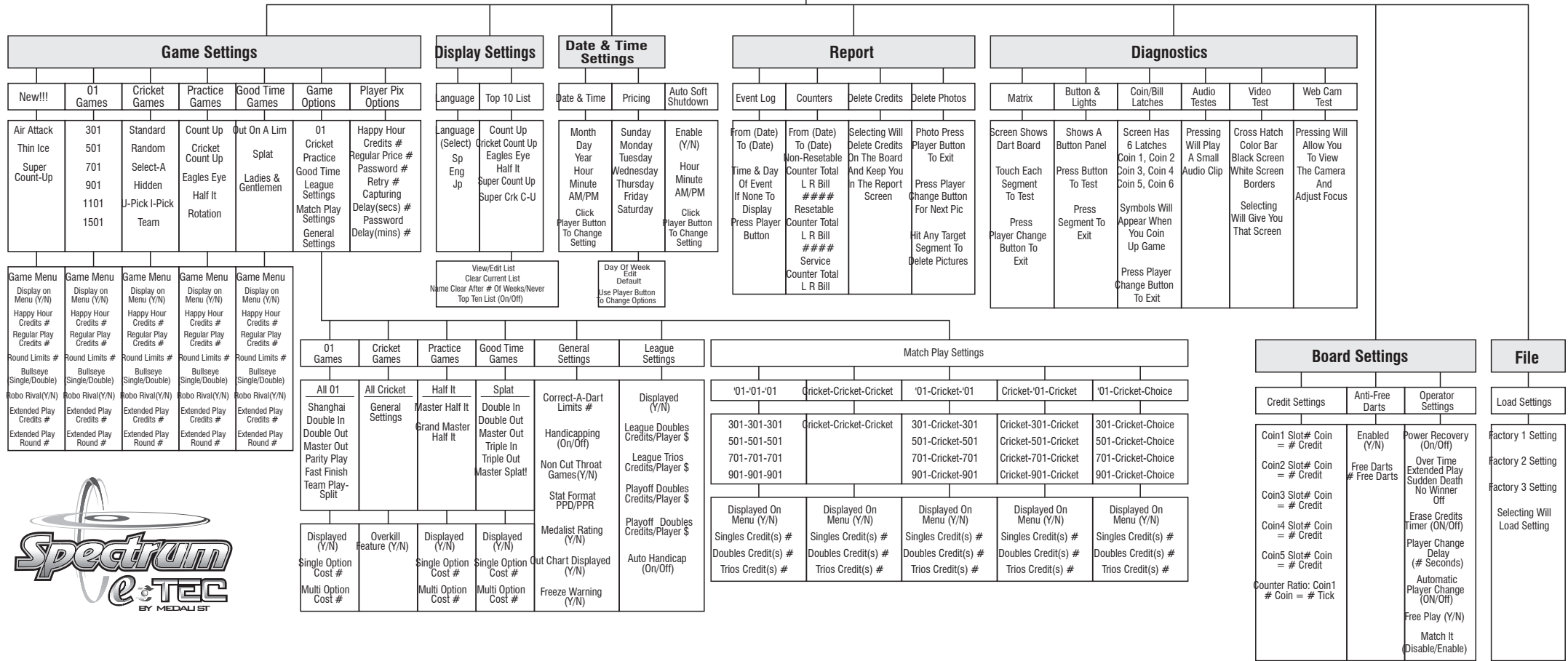
Game	Factory Setting 1	Factory Setting 2	Factory Setting 3
01			
301	1	1	1
501	2	2	4
701	3	3	4
901	4	4	4
1101	5	5	4
1501	6	6	4
Cricket			
Standard	3	2	4
Random	3	2	4
Select-A	3	2	4
Hidden	3	2	4
U Pick-I Pick	3	2	4
Team			
Practice			
Count-Up	1	1	2
Cricket Count-Up	1	1	2
Eagles Eye	1	1	2
Rotation	1	1	2
Polarity	2	1	3
Super Count-Up	2	1	3
Super Crk Count-Up			
Goodtime			
Air Attack	2	1	2
Out-On-A-Lim	2	1	2
Ladies & Gentlemen	2	1	2
Splat	2	2	2
Half-It			

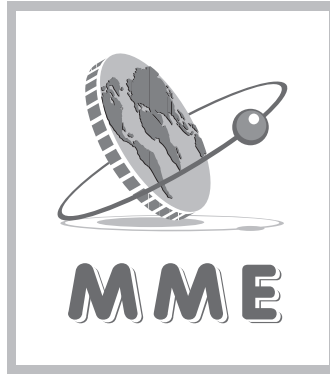
Figure 13: Factory Settings

Program Mode

Game Settings/Display Settings/Date & Time Settings/Report/Diagnostics/Board Settings/File

To access the program mode press and hold S2 PM button in the upper left hand corner of the I.O. board





Mida-Medalist Master Parts List

For

..... Genesis

..... Avanti

..... **ELITE** (T)

..... **ELITE** (M)

..... Omni

..... Ion

..... **eTEC**

..... Dart Boards

Upper Cabinet	
Item Code	Description
PA 0001	Avanti - for top mount dart board; includes wiring harness, speaker with cover, light assemblies, fan with guards, hand cups, power input module, side mount plugs, main board mounts, latch hooks, LCD power harness
PE 0001 O	Elite (T) Model O* - for top mount dart board; includes wiring harness, speaker with cover, light assemblies, fan with guards, hand cups, power input module, static plate with main board mounts, latch hooks, camera plugs, terminal blocks, I.O. mounts, LCD power harness *Original model of Elite with vertical alignment slot (Japan only)
PE 0001 C	Elite (T) Model C* same as Elite (T) Model O *Current model of Elite with horizontal alignment plate
PE 0001 M	Elite (M) - for mid mount dart board; includes wiring harness, speaker with cover, light assemblies, fan with guards, hand cups, power input module, static plate with main board mounts, latch hooks, camera plugs, terminal blocks, I.O mounts, LCD mounting rack, LCD power harness

Item Code	Description
PO 0001	Omni - for mid mount dart board; includes wiring harness, speaker with cover, light assemblies, fan with guards, hand cups, power input module, main board mounts, latch hooks, camera plugs, terminal blocks, LCD mounting rack, LCD power harness
PI 0001	Ion - to be defined

Lower Cabinet

Item Code	Description
PA 0011	Avanti - for top mount dart board; includes leg levelers, ground wire, complete coin door assembly (without coin mechs), meter, back door with lock, mail slot cover, latches, wiring harness, decals
PE 0011 O	Elite (T) Model O* - for top mount dart board; includes leg levelers, ground wire, complete coin door assembly (without coin mechs), meter, back door with lock, mail slot cover, latches, vent grill, wiring harness, decals *Original model of Elite with vertical alignment slot (Japan only)
PE 0011 C	Elite (T) Model C* same as Elite (T) Model O *Current model of Elite with alignment plate
PE 0011 M	Elite (M) - for mid mount dart board; includes leg levelers, ground wire, complete coin door assembly (without coin mechs), meter, back door with lock, mail slot cover, latches, vent grill, wiring harness, decals

Item Code	Description
PO 0011	Omni - for mid mount dart board; includes leg levelers, ground wire, complete coin door assembly (without coin mechs), meter, back door with lock, mail slot cover, latches, vent grill, wiring harness, decals
PI 0011	Ion - to be defined

Door	
Item Code	Description
PA 0021	Top Mount - includes hinges with mounting hardware, locks, light diffusers, buttons - target and decals not included
PE 0021 T	Mid Mount - Target includes hinges with mounting hardware, locks, light diffusers, buttons - target and decals not included
PE 0021 L	Mid Mount - LCD includes hinges with mounting hardware, latch, buttons - decals not included
PI 0021	Ion - to be defined
PA 0022	Full Size - Bare all top mount boards made in Thailand
PA 0023	Half Size - Bare target door for all mid mount boards made in Thailand

Item Code	Description
PT 0002	Side Door- eTEC
PG 0101	Leg Leveler - Genesis
PA 0101	Leg Leveler all boards made in Thailand
PA 0102	Step- with rubber and trim decal not included
PA 0103	Step Rubber
PA 0104	Step Trim
PA 0105	Bolt- all applications on all boards made in Thailand, 8MM x 50MM
PA 0106	Washer- all applications on all boards made in Thailand
PA 0107	Nutsert- all applications on all boards made in Thailand
PG 0107	Nutsert - Leg Leveler - Genesis
PA 0108	Standoff - Genesis, Ion plastic
PE 0109	Static Plate- with metal standoffs
PE 0137	Mounting Strap - Power Supply - with hardware, for 350 ATX
PA 0110	Mounting Screw black, #4 - 16MM
PA 0111	Cable Clamp - Large
PA 0112	Cable Clamp - Small

Item Code	Description
PA 0131	Ribbon Cable Clamp with clip
PA 0142	Ribbon Cable Hanger
PG 0113	Hinge Assembly Genesis with bolts and nuts
PA 0113	Hinge Assembly all boards made in Thailand, with cabinet and door mounting hardware
PA 0139	Hinge Safety Screw
PA 0114	Cabinet Latch Assembly all boards made in Thailand , with screws
PG 0116	Lock Assembly Genesis cabinet, 415
PA 0140	Lock Assembly all boards made in Thailand, cabinet, 1111
PA 0141	Lock Assembly - Coin Door universal, 2000
PG 0117	Challenge Rack Genesis
PA 0118	Mail Slot Cover with nails
PA 0119	Back Door with lock
PA 0120	Stabilizer Bracket
PA 0121	Hand Cup with screws
PA 0122	Cable Hole Plug large

Item Code	Description
PA 0123	Mount Hole Plug small
PG 0124 L	Light Diffuser - Genesis left
PG 0124 R	Light Diffuser - Genesis right
PE 0124 L	Light Diffuser all top mount boards made in Thailand, left
PE 0124 R	Light Diffuser all top mount boards made in Thailand, right
PO 0124 L	Light Diffuser all mid mount boards made in Thailand, left
PO 0124 R	Light Diffuser all mid mount boards made in Thailand, right
PI 0124	Light Diffuser - Ion
PA 0125	Diffuser Mount Nut with washer
PI 0127	Plexi Panel - Ion
PE 0129 S	LCD Rack -19” - Sinai tilt configuration, with plastic wings, decals not included
PA 0128	LCD 15” Plastic Wing <i>decal not included</i>
PE 0128	LCD 17” Plastic Wing <i>decal not included</i>
PA 0129 M	LCD Mid Mount Rack - 17”
PA 0143	LCD Button Cover black metal, with screws

Item Code	Description
PA 0144	LCD Bracket - Genesis includes mounting hardware
PA 0130	Speaker Grill Unit universal with screws
PE 0133	Vent Filter
PE 0134	Fan Guard
PE 0135	Camera Box with hardware, decal
PE 0136	Camera Box Hardware bracket with bolts, nuts and washers
PE 0145	Crown- with hardware, decal
PA 0425	Knockout Plate cabinet

Decal

Item Code	Description
PA 0300	Step - universal
PG 0301	Distance - universal
PG 0302	Star - Cabinet - Genesis And Avanti
PE 0303	Star - Cabinet - Genesis Kit upgraded to Elite
PE 0304	Spectrum - Cabinet all boards except Genesis
PA 0305	Swoop - Genesis And Avanti grey
PE 0306	Swoop - Elite orange - all kits, all boards except Genesis
PG 0307	Button - Genesis
PE 0307	Button - Genesis Kit
PE 0307 T	Button - Elite (T)
PE 0307 M	Button - Elite (M)
PO 0307	Button Omni
PI 0307	Button - Ion- to be defined
PI 0308	Center - Ion
PI 0309	Instruction - Ion- to be defined

Item Code	Description
PA 0310	Target Ring - Grey Genesis and Avanti
PE 0311	Target Ring - Black Elite, Omni, Ion, Genesis and Avanti Kits
PG 0312	Monitor - Genesis grey
PE 0312	Monitor - Genesis Kit full color
PA 0313	LCD - Avanti grey, 15" wing
PE 0313	LCD - Full Color 15", 17" and 19" wing
PE 0315	Crown- Elite (M), Omni
PE 0316	Camera
PA 9000	Throw Line

Dart Head

Item Code	Description
PA 0201	Target - spider with segments only, without catch ring
PA 0202	Spider
PA 0203	Center Bull
PA 0204	Outer Bull
PA 0205	Pie - Black
PA 0206	Pie - Grey
PA 0207	Triple - Red

Item Code	Description
PA 0208	Triple - Blue
PA 0209	Block- Black
PA 0210	Block- Grey
PA 0211	Double- Red
PA 0212	Double- Blue
PG 0221	Catch Ring Section standard thread, US made
PG 0222	Catch Ring Screw standard thread
PA 0213	Rubber
PA 0214	Switch Matrix
PG 0215	Backboard - Original with bushings, Genesis, Avanti and early Elite with latch mounting system, hardware not included
PA 0215	Backboard - Current with wing nut mounting system, hardware not included
PG 0217	Mounting Stud - Standard
PA 0217	Mounting Stud - Metric
PA 0220	Latch - Backboard complete with screws
PG 0218	Knurled Nut - Standard with washer, spring washer

Item Code	Description
PA 0218	Knurled Nut - Metric - with washer, spring washer
PA 0219	Wing Nut - Metric - with washer, spring washer
PA 0223	Mounting Bolt - Backboard with lock nut, wing nut, washer, spring washer
PA 0231	Mounting Bolt - Target with knurled nut, washer, spring washer

Coin Door

Item Code	Description
PA 0401 D	Coin Only - Dual complete except for coin mechs and locks
PA 0401 S	Coin Only - Single complete except for coin mech and locks
PA 0402	Coin And Bill with bill validator knockout plate, complete except for coin mechs, bill validator and locks
PA 0403 F	Cash Can - Full Size plastic
PA 0403 H	Cash Can - Half Size plastic
PA 0450	Coin Mech United States, Imonex
PA 0451	Coin Mech Japan 100, Happ
PA 0452	Coin Mech Thailand, Imonex
PA 0453	Coin Mech India, Imonex
PA 0454	Coin Mech Korea 100, Imonex

Item Code	Description
PA 0455	Coin Mech Korea 500, Imonex
PA 0458 O	Coin Mech New Zealand 1.00, Imonex
PA 0458 T	Coin Mech New Zealand 2.00, Imonex
PA 0459	Coin Mech Canada, Imonex
PA 0460 O	Coin Mech Australia 1.00, Imonex
PA 0460 T	Coin Mech Australia 2.00, Imonex
PA 0461	Coin Mech Taiwan, Imonex
PA 0405	Bill Validator With Stacker (300) \$1.00, 5.00, 10.00, 20.00 ICT
PA 0423	Stacker (500) - ICT
PA 0428	Coin Mech Holder Assembly includes rejector button, rejector bezel, rejector lamp holder, coin return bezel, coin return flap, upper and lower mech holders, vertical stabilizer, hardware
PA 0429 D	Frame With Doors - Coin Only - Dual - includes upper and lower doors, mounting latches with bolts
PA 0429 S	Frame With Doors - Coin Only - Single - includes upper and lower doors, mounting latches with bolts
PA 0430	Frame With Doors - Coin And Bill - includes upper and lower doors, mounting latches with bolts, bill validator knockout plate

Item Code	Description
PA 0418	Vault Assembly
PA 0419	Coin Separator
PA 0413 S	Coin Switch with side actuator wire
PA 0420	Meter
PA 0421	Interlock Switch

Video

Item Code	Description
PA 0508	LCD 17" - Sinai with video cable and power harness for ATX power supply, black plastic case, tempered glass, C grade
PE 0508	LCD 19" - Sinai with video cable and power harness for ATX power supply, black plastic case, tempered glass, C grade
PA 0502	LCD AD Board model must be defined
PA 0503	LCD Inverter Board model must be defined
PA 0504	LCD Key Board universal
PA 0505	LCD Power Harness universal
PA 0506	LCD Video Cable universal
PE 0502	LCD 17" AD Board model must be defined

Item Code	Description
PE 0503	LCD Inverter Board model must be defined
PA 0516	LCD Power Adaptor with cord, for Genesis conversions

Electrical

Item Code	Description
PG 0601	Main Board - Genesis, Avanti, Omni with EPROMS, refurbished, availability unknown
PG 0602	EPROM, 8 Meg - Genesis programmed
PG 0603	EPROM, 4 Meg - Genesis programmed
PG 0604	RAM, 128 - Genesis
PG 0605	Main Board Battery - Genesis
PI 0601	Main Board - Ion to be defined
PE 0601	Main Board - Elite
PE 0606	CPU - Elite includes fan and heat sink
PE 0607	RAM, 256 - Elite
PE 0608	Hard Drive current software
PE 0609	I.O. Board - Elite
PE 0611	Camera
PE 0610	HD Rack - Metal universal, with fan

Item Code	Description
PE 0630	Fan - HD
PE 0612	Fan - Cabinet universal, with guards
PE 0631	Fan - CPU with heat sink
PA 0613	Target Interface Board
PE 0614	Power Supply ATX, 350W
PG 0615	Power Supply Switching
PA 0618	Fluorescent Lamp Assembly - Elite with mounting screws
PA 0619	Fluorescent Lamp
PE 0620 1	Ballast - 110 - Genesis
PG 0621 1	Fluorescent Lamp Starter - 110 universal
PA 0622	Lamp - 161
PA 0623	Power Input Module with fuse, all boards made in Thailand
PA 0624	Fuse- 5 amp
PG 0625	Fuse Holder - Genesis
PA 0676	Power Cord - Genesis Type A, B, C, D, G 10A
PA 0676 D	Power Cord - Elite - United States Type A 10A

Item Code	Description
PA 0676 Y	Power Cord - Elite Japan- Type A 10A
PA 0676 B	Power Cord Thailand- Type A 10A
PA 0676 R	Power Cord India - Type D 10A
PA 0676 W	Power Cord Korea- Type C 10A
PA 0676 P	Power Cord United Kingdom Type G 10A
PA 0676 E	Power Cord Europe- Type C 10A
PA 0626	Speaker- universal, with mounting screws
PA 0627	Player Button - Yellow complete
PA 0628	Select/Change Button - Red complete
PG 0629	On/Off Button - Genesis
PA 0701	Ribbon Cable universal
PE 0713	Terminal Block 3 x 2 universal
PE 0717	Terminal Block 6 x 2 universal
PA 0229	Missed Dart Sensor Piezo
PT 0001	GNDTerminal - eTEC, Elite
PT 0003	PC Unit - eTEC

Medalist Marketing Corporation

201C Frontage Rd. N.
Pacific, WA 98047 USA
Tel: 1-253-939-2900 Fax: 1-253-939-0128

Mida-Medalist Entertainment Public Co., Ltd.

96/2 Moo 4, Tambol Lamphaya, Amphur Muang
Nakornpathom, Thailand 73000
Tel: 66 (0) 3427-2581-3 Fax: 66 (0) 3427-2585

Medalist USA • Asia

2F Nihon Build Mihashi 1 Chome Bldg.
1-1201 Mihashi, Omiya-ku, Saitama-shi
Saitama 330-0856 Japan
Tel: 81 (0) 48-648-5346 Fax: 81 (0) 48-648-5347

Medalist Europe

Avda. De los Pirineos 7 Nave 9A
28709 San Sebastian de los Reyes
28006 Madrid, Spain
Tel: 34-91-658-6420 Fax : 34-91-653-9215

Medalist Asia Limited

50/8-9 Moo 5, Salaya-Nakorn Chaisri Rd., Salaya,
Phuttamonton, Nakornpathom, Thailand 73170
Tel: 66 (0) 2800-2737 Fax: 66 (0) 2800-2650



www.medalistgames.com