

CATALOG SUPPLEMENT "BB"

WITH
NEW PARTS & UNITS

FOR
RINGER



Williams[®] ELECTRONICS, INC.

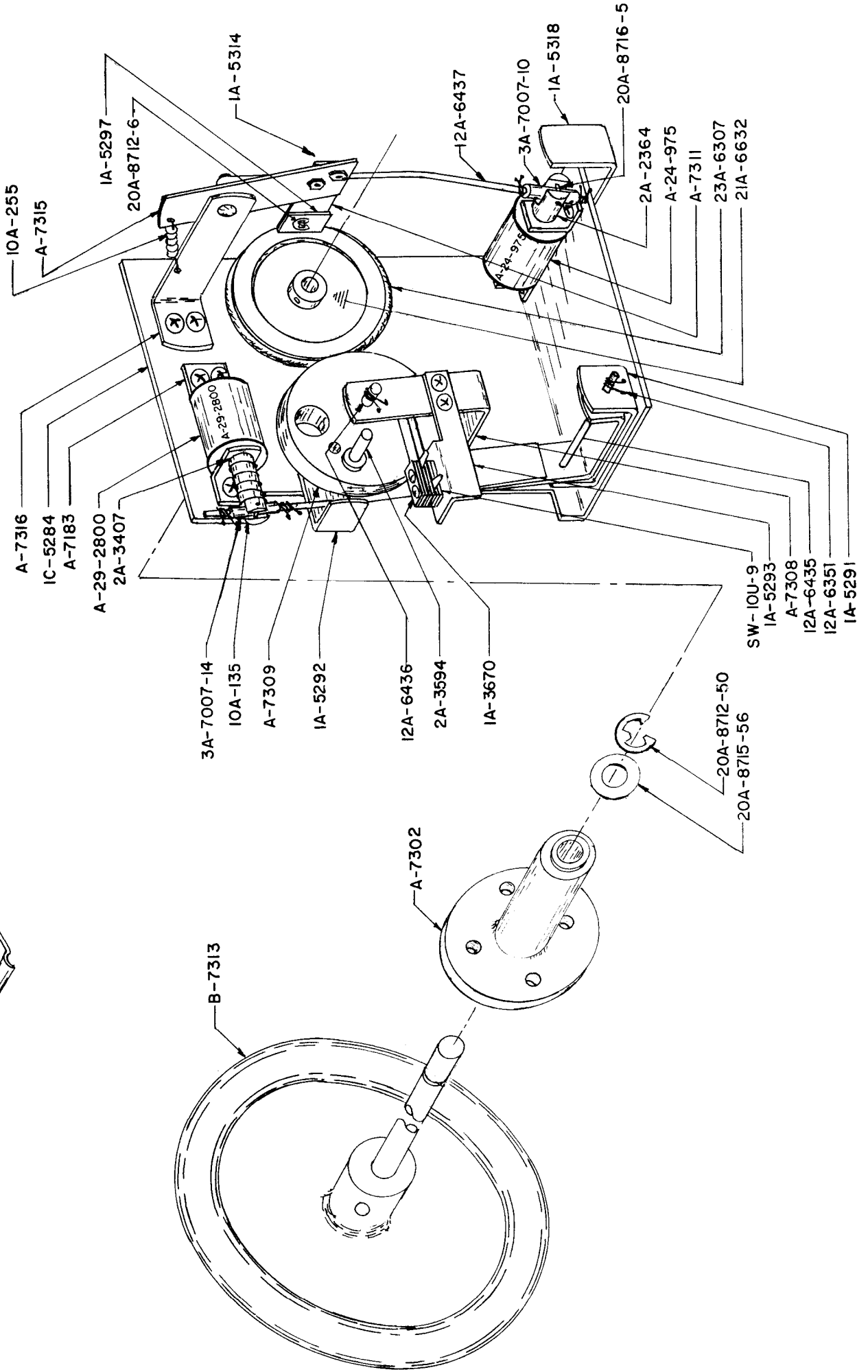
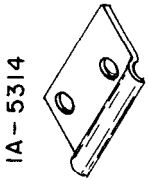
SUBSIDIARY OF THE SEEBURG CORPORATION

3401 N. California Ave.
Phone 267-2240

Chicago, Ill. 60618, U.S.A.
Cable Address: Wilcoin

(D-7322)

SPIN MECHANISM



PRICE LIST

ARRANGED IN NUMERICAL ORDER

<u>PART NO.</u>	<u>DESCRIPTION</u>	<u>PRICE</u>
1 B-8-508	Coil Bracket22
1 A-3670	Switch Plate04
1 A-4162-10	Bottom Glass Binder 28-3/8"	1.56
1 B-4178-4	Back Glass Lock Strap58
1 A-4973-1	Heat Sink (1 Hole)28
1 C-5284	Mounting Plate	1.88
1 B-5286	Instruction Frame (Sign)	2.74
1 A-5291	Support Bracket68
1 A-5292	Stop Bracket50
1 A-5293	Switch Bracket96
1 A-5297	Brake Shoe32
1 A-5314	Clamp - Brake Spring44
1 A-5318	Stop Bracket Brake40
2 A-2364	Plunger - Brake46
2 A-3407	Plunger - Engagement72
2 A-3594	Pin Switch Actuator96
3 A-7007-10	Tubing Insulator06
3 A-7007-14	Tubing Insulator06
3 A-7164-4	Plastic Insert - Red16
3 A-7243-18	Back Glass Binder - Top 28-3/4"90
3 A-7243-19	Back Glass Binder - Sides 16-5/8"52
3 B-7313	Acrylic Cover - For Sign	5.50
5 A-6238	6 Amp Fuse30
5 A-6248	Silicon Rectifier - IN3491	2.48
5 A-6250	1,000 MFD - 50 V. Capacitor	4.56
5 A-6316	10 OHM 1/2 Watt Resistor22
5 A-8717	Silicon Rectifier (Buzzer) IS31566
5 A-8721	1500 MFD - 50 V. Capacitor	7.76
8 A-7257	Score Glass	31.00
10 A-135	Spring - Armature08
10 A-255	Spring - Brake12
12 A-6351	Spring Clip08
12 A-6435	Wire Form - Pull In Bar26
12 A-6436	Axle - Flywheel18
12 A-6437	Wire Form Coupling30
20 A-6542 TB	Front Door Lock	2.92
20 A-8712-25	"E" Retaining Ring06
20 A-8712-50	"E" Retaining Ring06
20 A-8715-56	Washer04
20 A-8716-5	Roll Pin 1/8 x 7/16"04
20 A-8716-13	Roll Pin 3/16 x 1"08
20 A-9004	Back Door Lock w/ L 618 Key	2.92
21 A-6632	Pulley Wheel	16.50
23 A-6307	Rubber Ring 2-7/8" Dia.20
30 D 7314	Instruction Sign (Plastic)	8.00
A 24-975	Coil - Brake	1.80
A 29-2800	Coil - Engagement	1.80
SW. 10 U-9	Switch92

PRICE LIST

ARRANGED IN NUMERICAL ORDER

<u>PART NO.</u>	<u>DESCRIPTION</u>	<u>PRICE</u>
A-7183	Coil Stop34
A-7302	Hub & Bearing	32.00
A-7308	Yoke Assembly	2.36
A-7309	Flywheel & Bearing	21.00
A-7311	Support Assembly92
B-7313	Hand Wheel & Shaft	90.00
A-7315	Brake Arm & Bushing	1.86
A-7316	Bracket & Pin Brake Arm	1.18
D-7322	Spin Mechanism - complete w/all parts	199.00