

# HALF COURT HOOPS



Parts or Service  
708-598-3720

# Safety Instructions:

Repair and maintenance requires trained service personnel.

Depending on the potentially hazardous degrees, the terms of NOTICE, WARNING GAUTION, etc. are used. Be sure to understand the content of the displays before reading the text.



## High Voltage Warning:

High voltage can cause an electric shock.  
Turn off power before servicing.



## No Touching Warning:

This part may cause an electric shock or the surface is overheating. Do not touch this part.



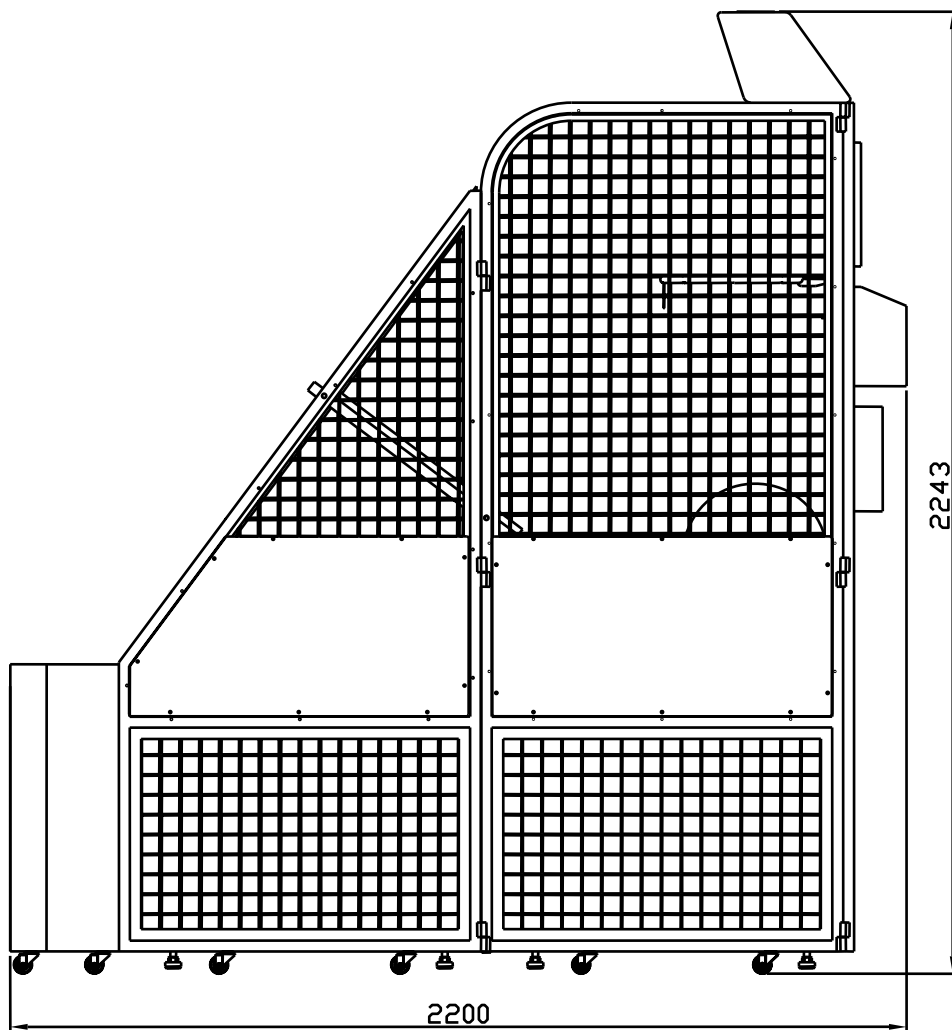
This part may caused by scalding if somebody inadvertent to do something.

---

# CONTENTS

1. Specifications .....	3.
2. Package contents .....	4.
3. Assembling instruction .....	6.
4. Intallation .....	19.
5. Package .....	21.
6. Game descripiton .....	22.
7. Switches control signal .....	23
8. Parameter setting .....	27
9. Game installation and service .....	33
10. Game maintenance .....	34.
11. Overall structure .....	35.
12. I/Ochart .....	49
13. Wiring Diagram	

## 1. Specifications:



Rated power supply: AC220V $\pm$ 10 50Hz or 110V $\pm$ 10 60Hz

(1) Power consumption: Min power consumption: 90W

Max power consumption: 200W

(2) Dimensions: W1030 $\times$ D2200 $\times$ H2243 (mm)

(3) Weight: about 260Kg

(4) Environment condition: (indoor) temperature : -10 $^{\circ}$ C $\sim$ +40 $^{\circ}$ C

Humidity :  $\leq$ 90%

Atmospheric pressure : 86P<sub>a</sub> $\sim$ 106 P<sub>a</sub>

※Note : Game parameters are subject change without notice.

## 2 Package contents

2.1 Make sure that all the parts shown below are included in the product package: :

NO	Part No.	Name	Qty	Illustration
1	R102-001-000	Main cabinet	1	
2	R102-002-000	Control panel	1	
3	R102-003-000	Header	1	
4	R102-004-000	Ball Gate Assy.	1	
5	R102-005-000	Playfield	1	
6	R102-006-000	Beam & back 1	1	
7	R102-007-000	Beam & back 2	1	
8	R102-101-000	Control panel fix board	2	
9		Spare parts 1	1	See below table for detail

**2.2 Spare parts 1:**

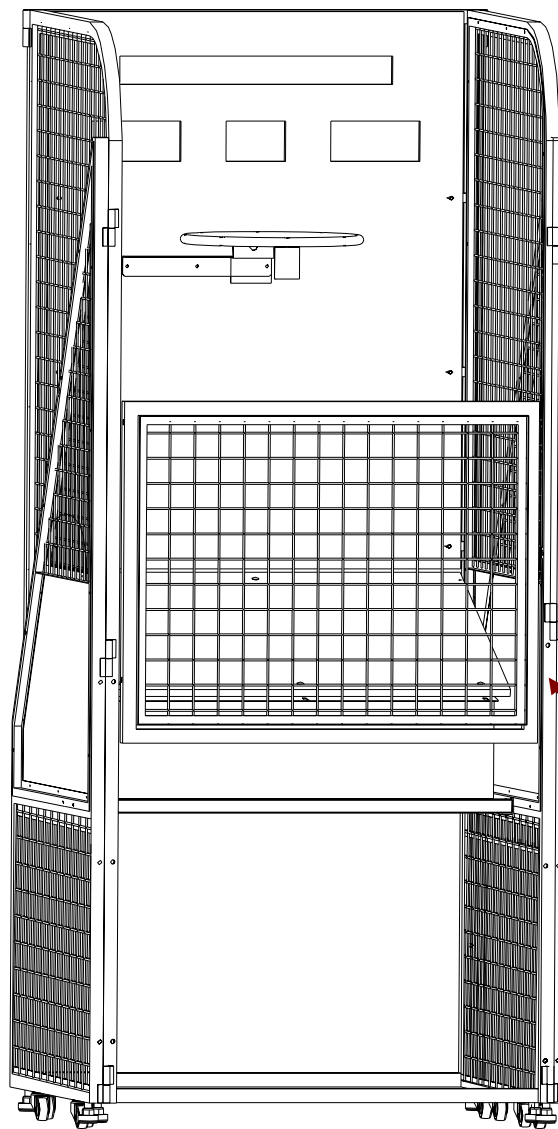
No	Part No.	Name	Spec.	Qty	Illustration	Note
1	R102-810-000	Power cord	15A/220V 3.5m	1		
2	R102-429-000	Fuse	5A/250(10A/125V) φ 5-20	2		
3	R102-730-000	Manual	English	1		
4	R102-423-000	Key	171	4		
5	R102-422-000	Key	2222	2		
6	R102-442-000	Bearing	6002Z	2		
7	R102-303-000	Circlip	GB/T894.2-1986/d <sub>0</sub> =16	2		
8	R102-443-000	Air pin		2		
9	R102-444-000	Basketball	#5	8		
10	R102-445-000	Pump		1		
11		Hexagonal socket flat round head screw	M8×25 BLK	12		
12		Hexagonal socket flat round head screw	M6×80 BLK	4		
13		Hexagonal socket flat round head screw	M6×40 BLK	8		
14		Cross hexagon head kit bolt	M8×20 BLK	8		
15		Cross hexagon head kit bolt	M6×16 BLK	4		
16		Hex lock net	M8 BLK	12		
17		Hex lock net	M6 BLK	4		
18		Flat washer	M8 BLK	12		
19		Flat washer	M6 BLK	4		
20	R102-409-000	Reflect paper	50×55	1		
21		Spare screws		1		

### 3. Assemble instruction:

#### 3.1 Assemble screws part list:

No.	Name	Spec.	Qty	Illustration	Note
1	Hexagonal socket flat round head screw	M8×25 BLK	12		
2	Hexagonal socket flat round head screw	M6×80 BLK	4		
3	Hexagonal socket flat round head screw	M6×40 BLK	8		
4	Cross hexagon head kit bolt	M8×20 BLK	8		
5	Cross hexagon head kit bolt	M6×16 BLK	4		
6	Hex lock nut	M8 BLK	12		
7	Hex lock nut	M6 BLK	4		
8	Flat washer	M8 BLK	12		
9	Flat washer	M6 BLK	4		

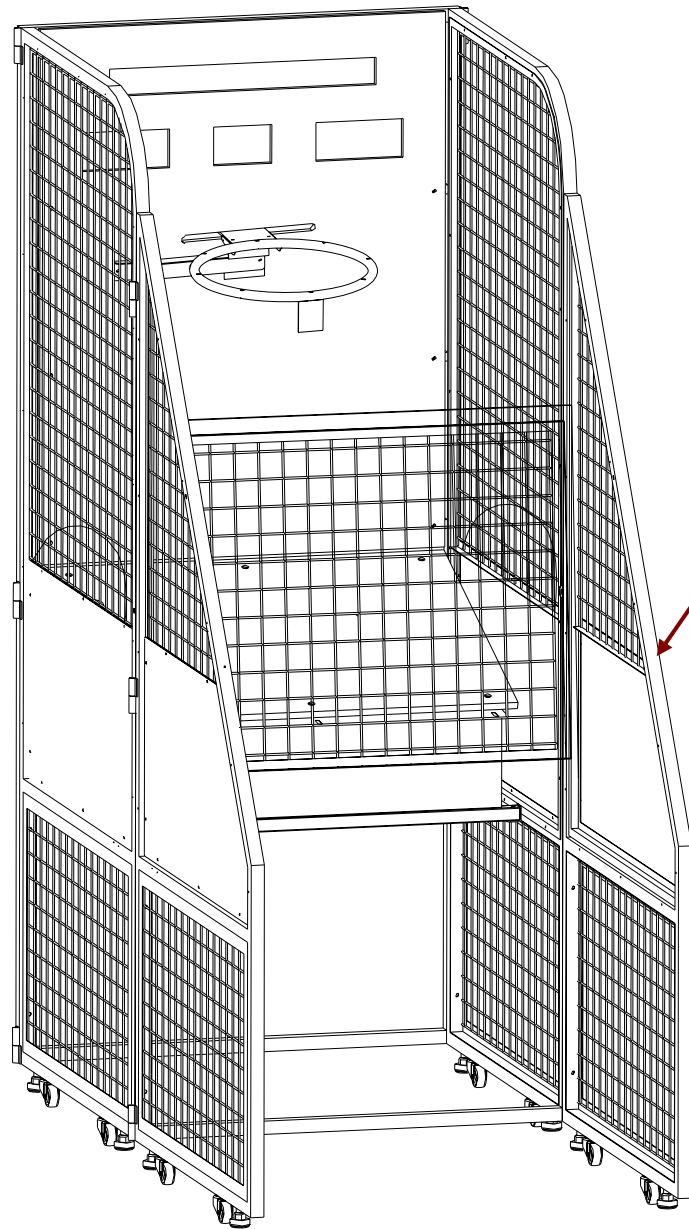
### 3.2 Assemble steps:



Open the package and  
take the main cabinet and  
other parts out

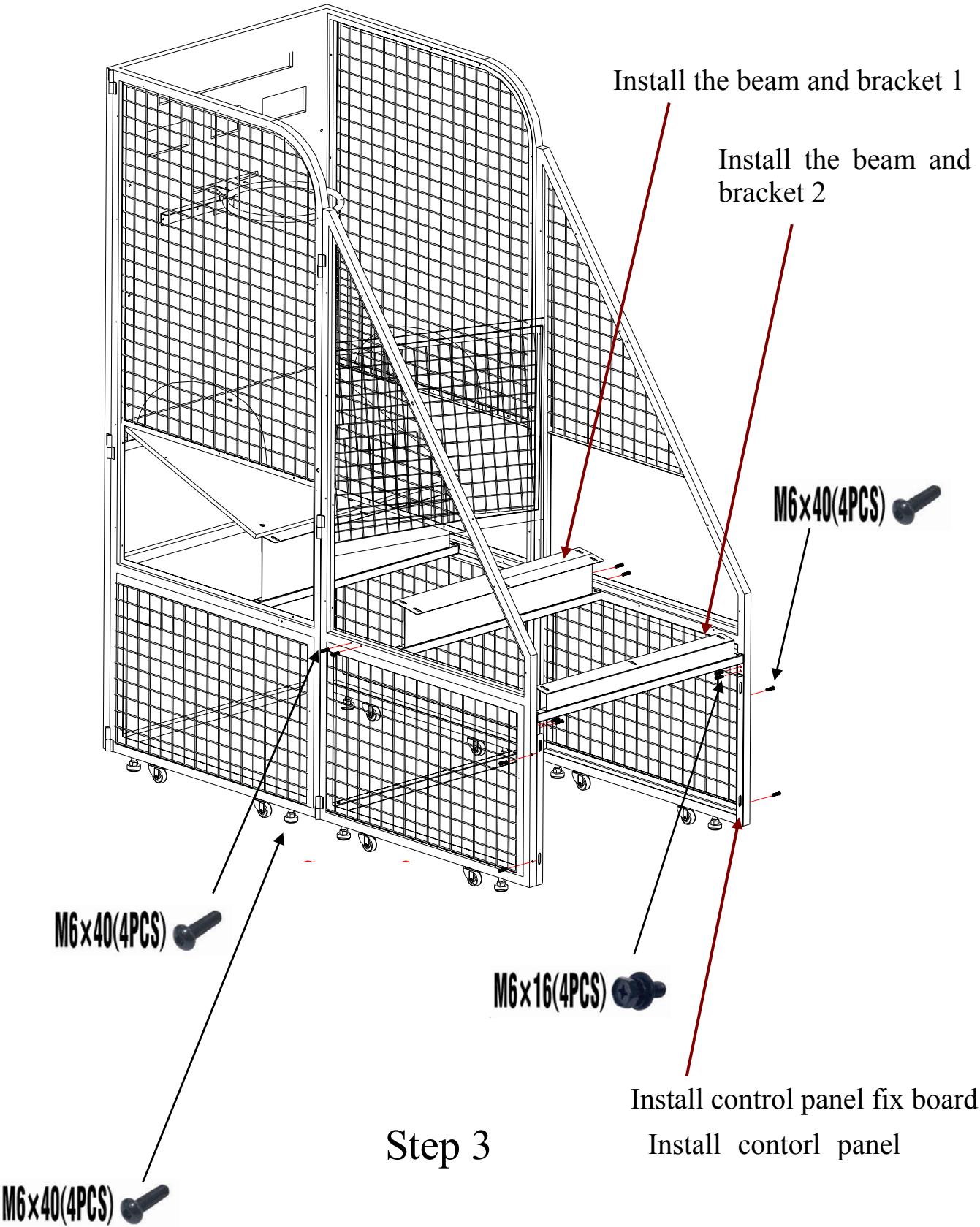
Step 1

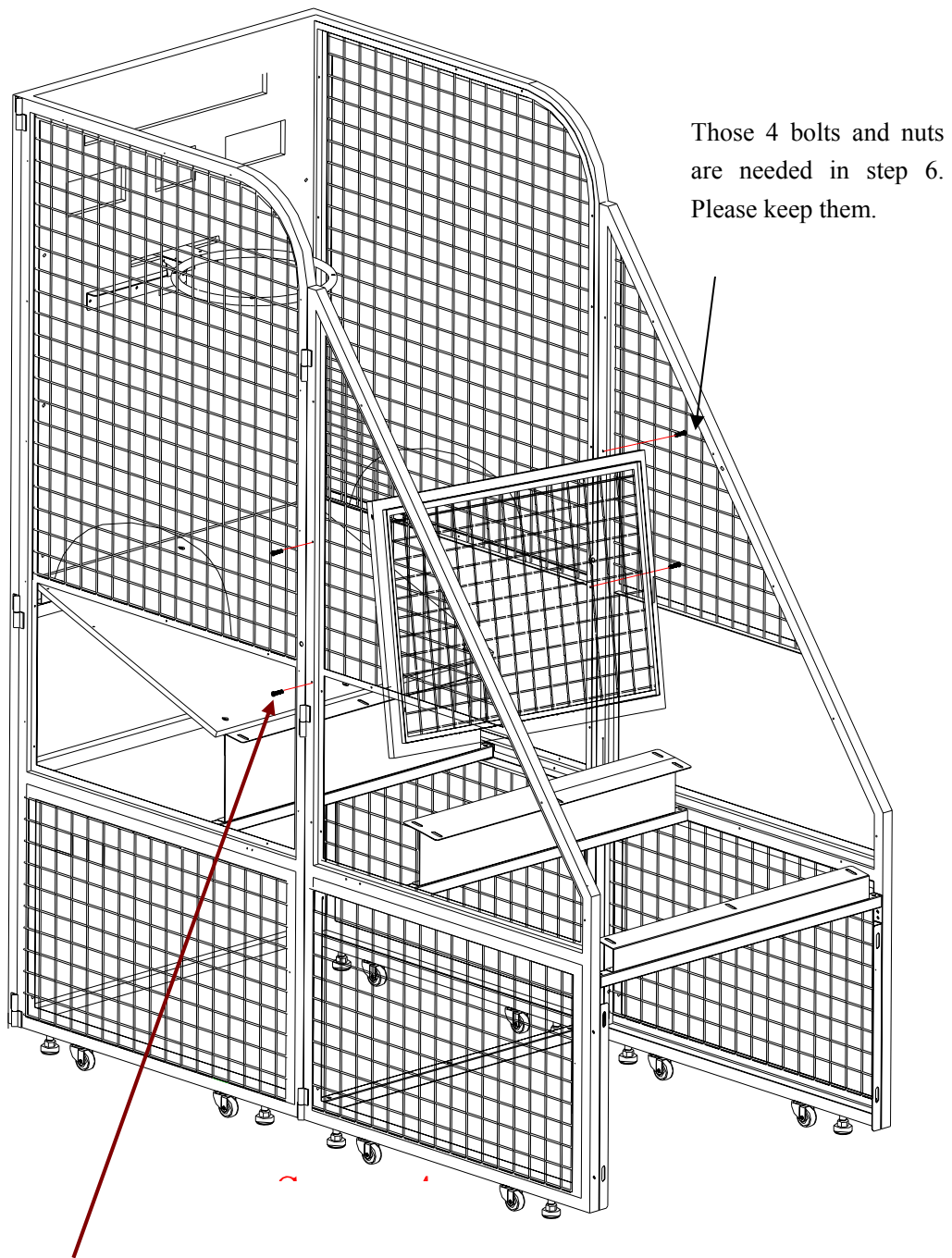




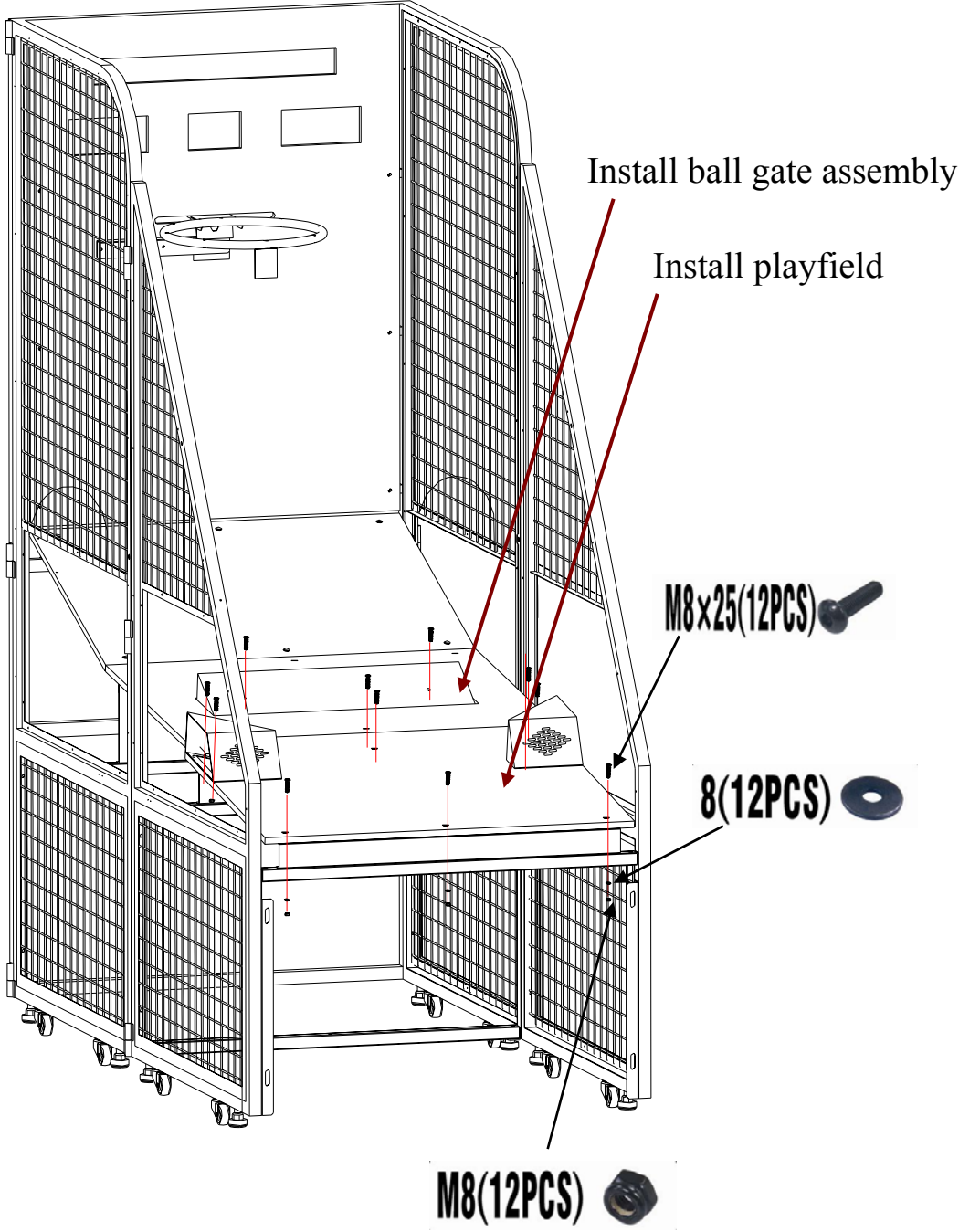
Open the front bracket

Step 2

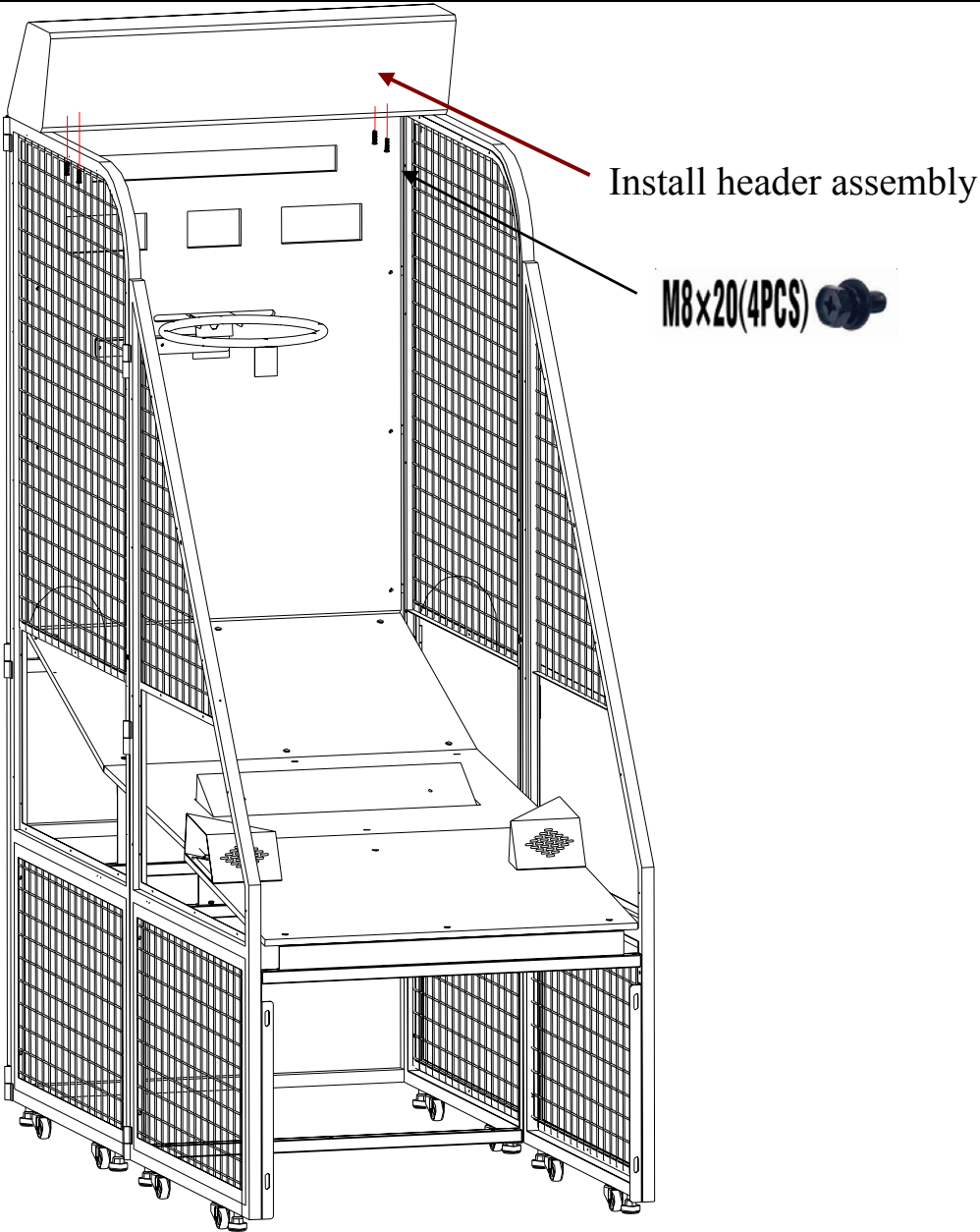




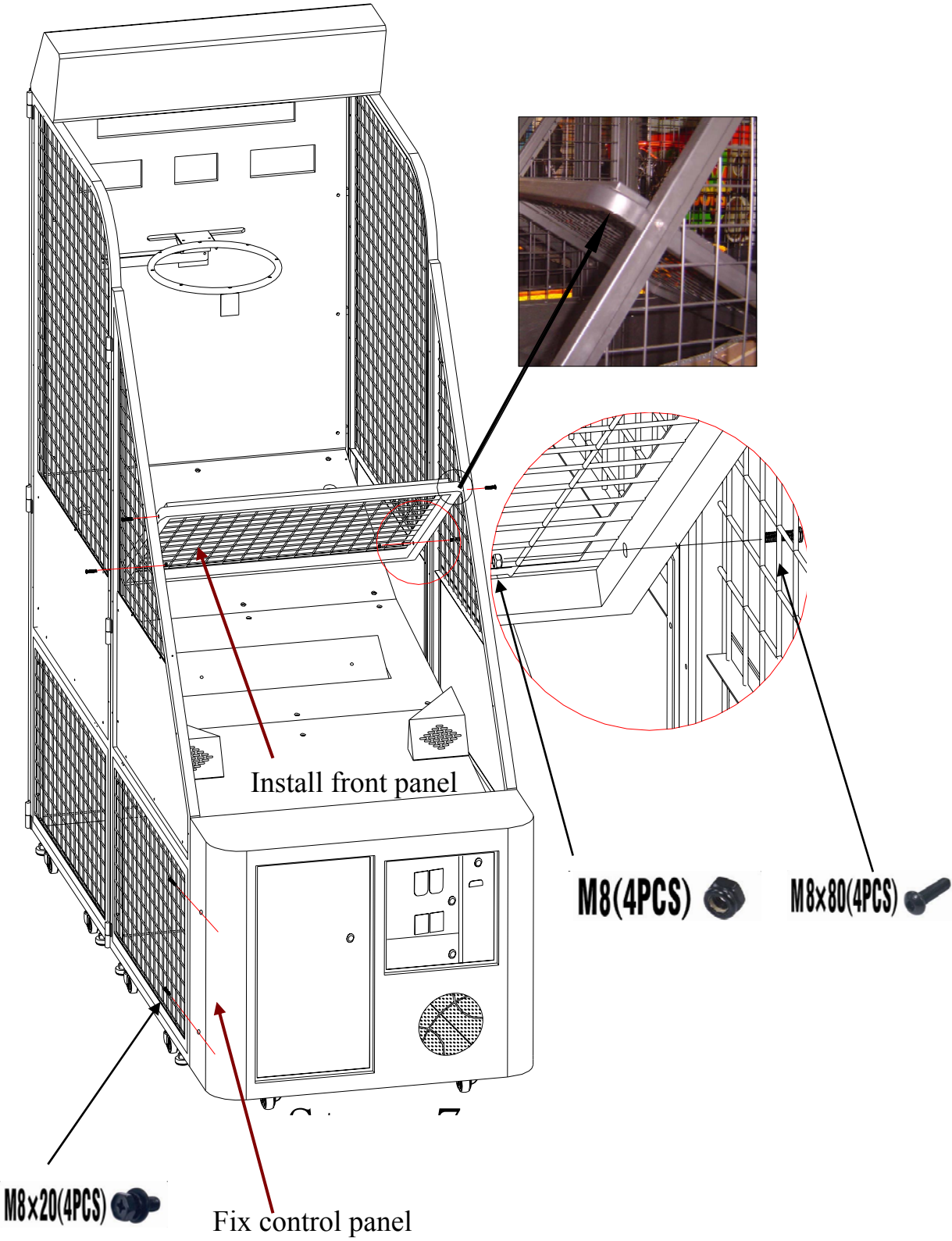
## Step 4



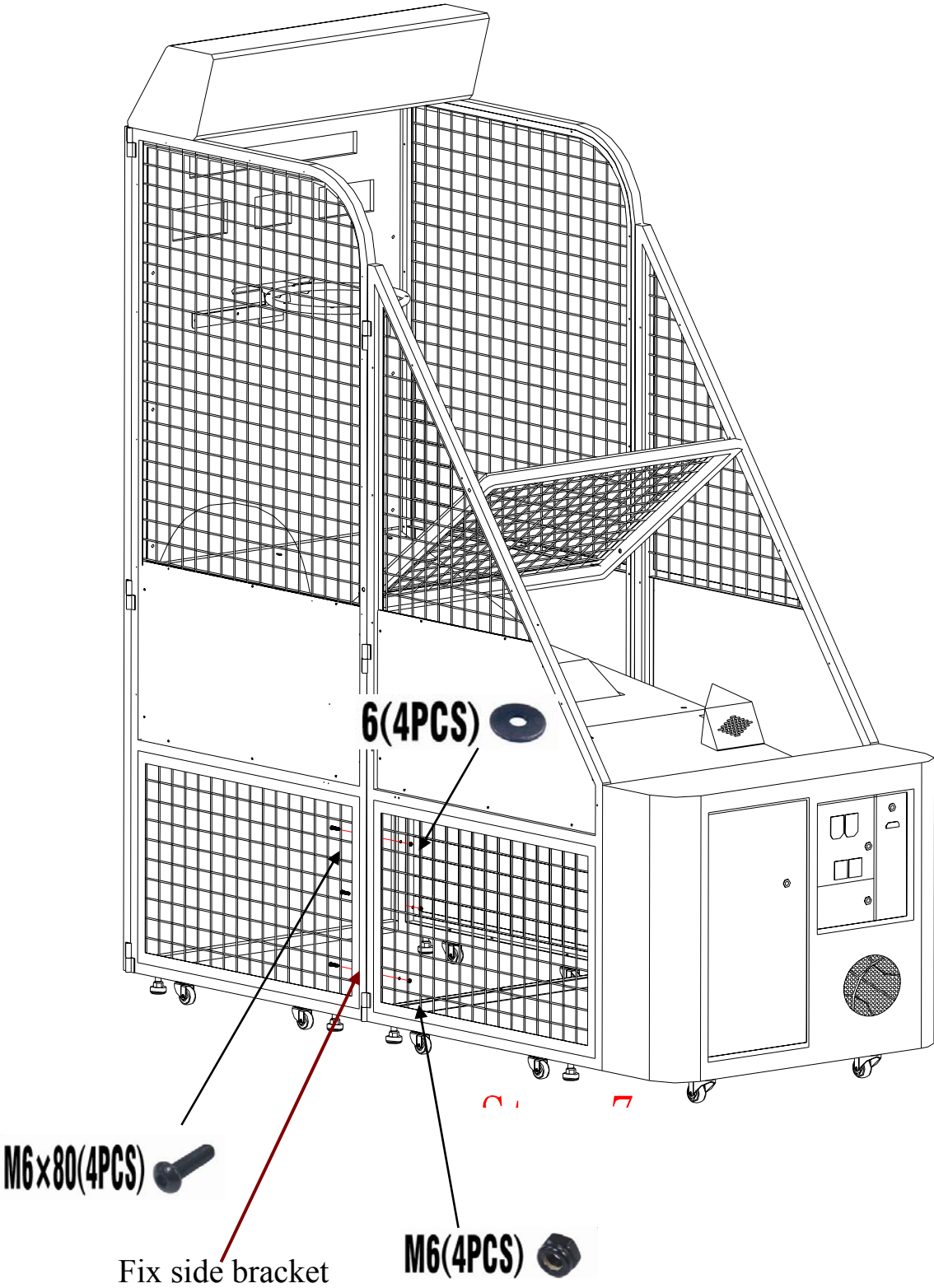
Step 5



# Step 6



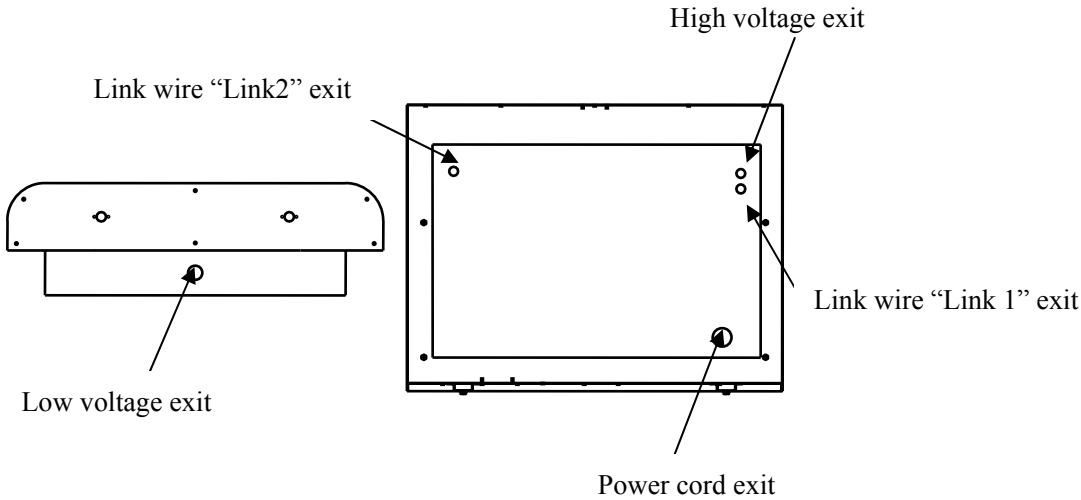
# Step 7



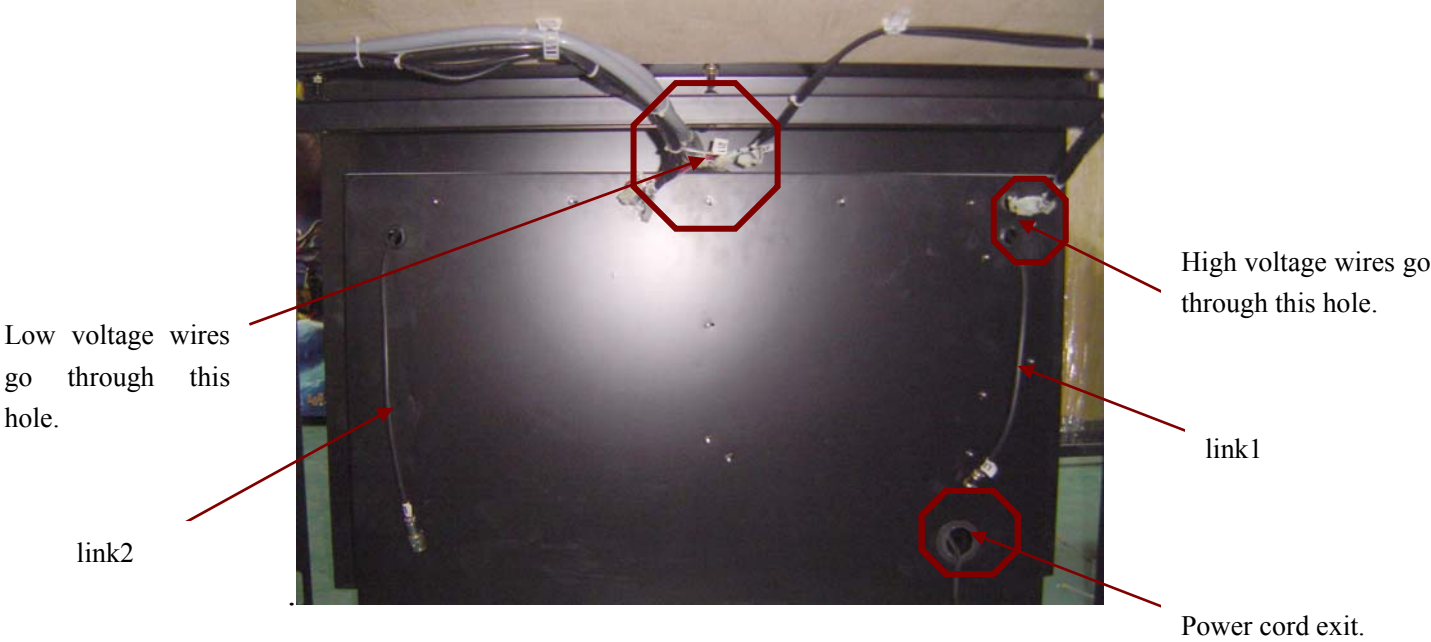
Step 8

### 3.3 Layout on control panel:

Control panel:



#### Step 1: Connecting



#### Step 2: Connecting



Connect the wires to the PCB as per the numbers marked on the PCB.



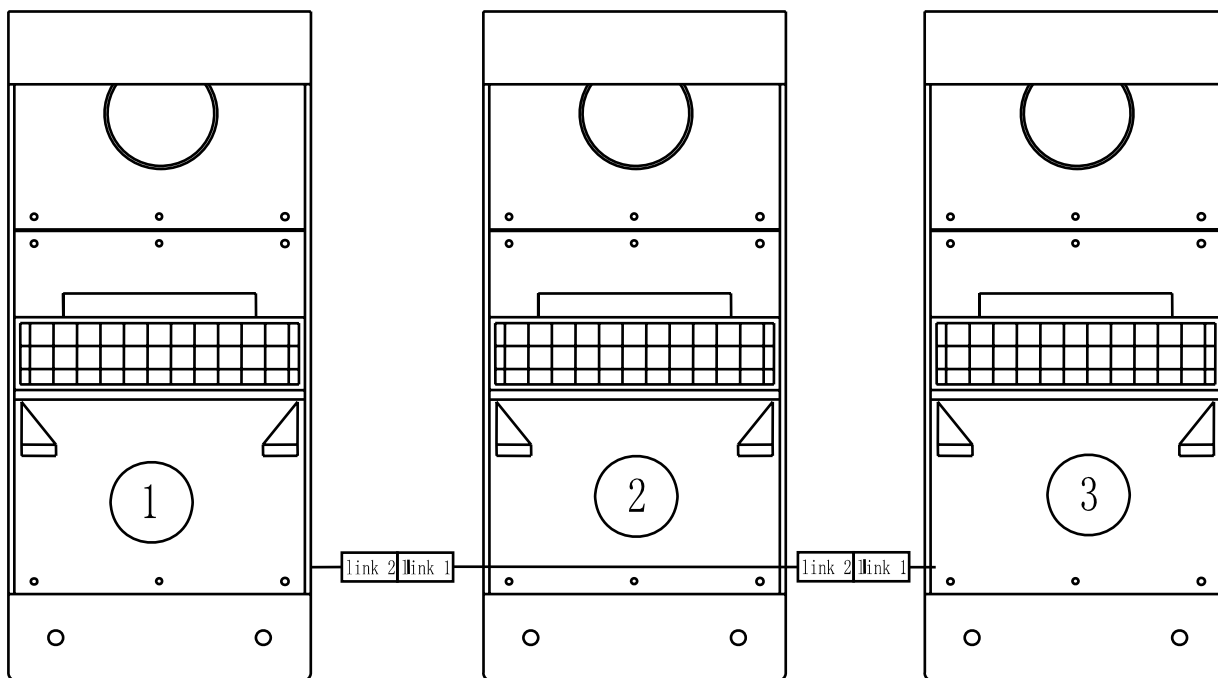
### 3.4 Link game:

✧ There are two buttons on the control panel:



✧ Link game button: Press this button to compete with others.  
 Start button: Press this button to start the game.

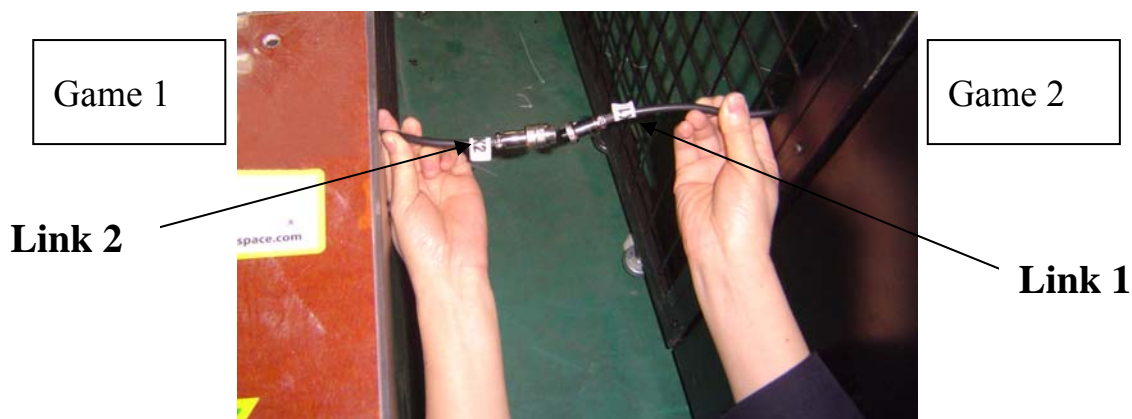
✧ Link game schematic:



**How to link games:** Connect Link 2 (in Game ①) to Link 1(in Game ②).

Then connect Link 2(in Game ②) to Link 1(in Game ③). The rest of the connections are the same. [For more detail, please refer to page 28]

Connection illustration:

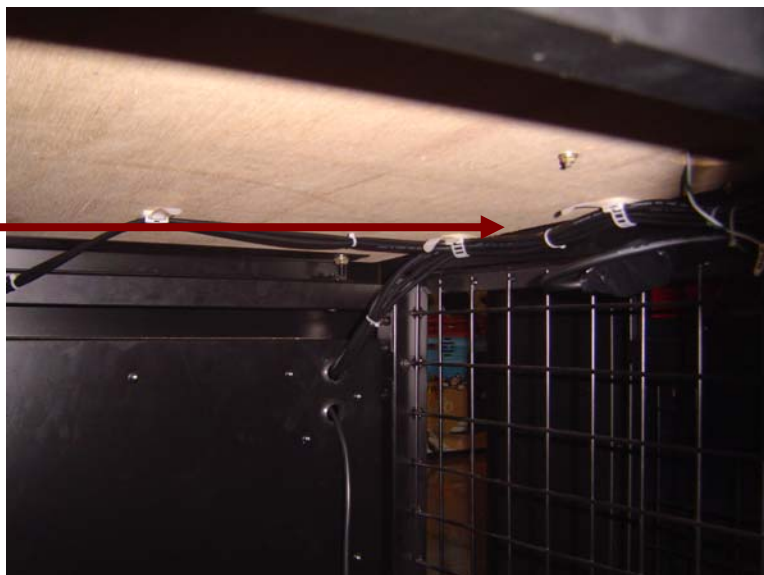


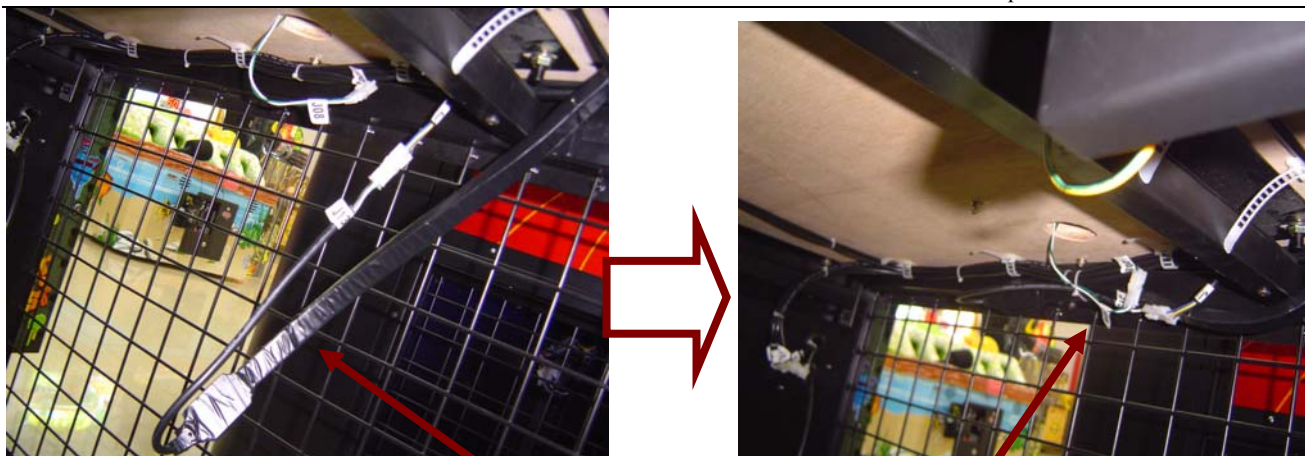
**Notice :**

- ◇ 1. When linking the game, there should be one game set as game #1. Any of the games can be set as game #1. The rest of the games can be #2 to #30 but you cannot repeat.
- ◇ 2. 30 games can compete with each other in groups.
- ◇ 3. The first time to start the game, it will show “1IP01 V1.02”. The first “1” means the group form. “IP01” means the NO1 machine.
- ◇ 4. NO1 machine will send it’s setting (excluding SW4) to the linking games after a few seconds when game starts. It will reset when turned off.
- ◇ 5. The DIP SWITCH setting in other games should be the same as the game NO1 setting except the Game NO.
- ◇ 6. To set the JP value, you need to set on the game NO1.

### 3.5 Wiring layout:

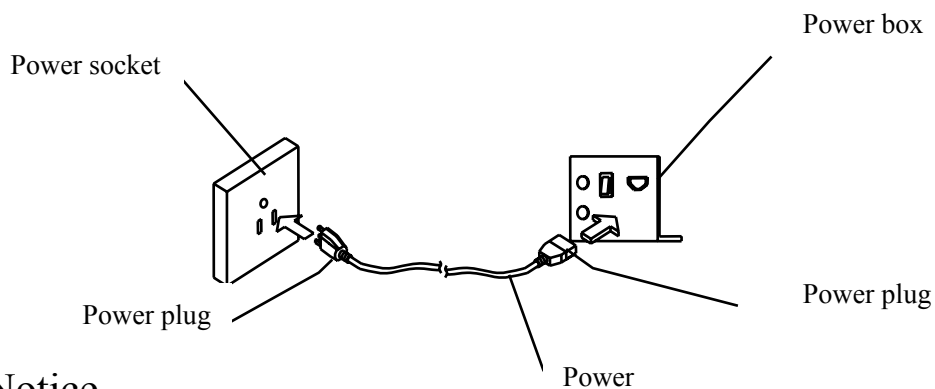
In order to clear the layout in the machine, below is the instruction for you reference:

**Right side layout****Left side layout**



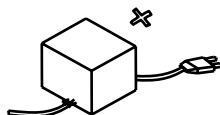
The extra **Light Belt** is wrapped with **Nylon** tape.

### 3.6 Connecting the power cord:



 **Notice**

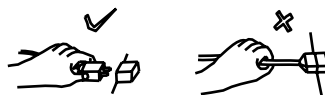
- Do not put heavy items on power cord.



- Do not touch the power plug with a wet hand.



- Do not draw or twist the cord.

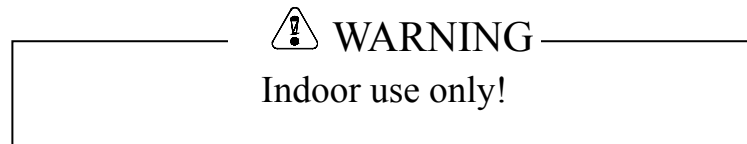


- Do not place the cord near a heat source.
- Do not place the cord where the player can easily touch or kick it.



- Run this machine with the correct power configuration.

## 4. Installation:



### 4.1 Locations to avoid installing:

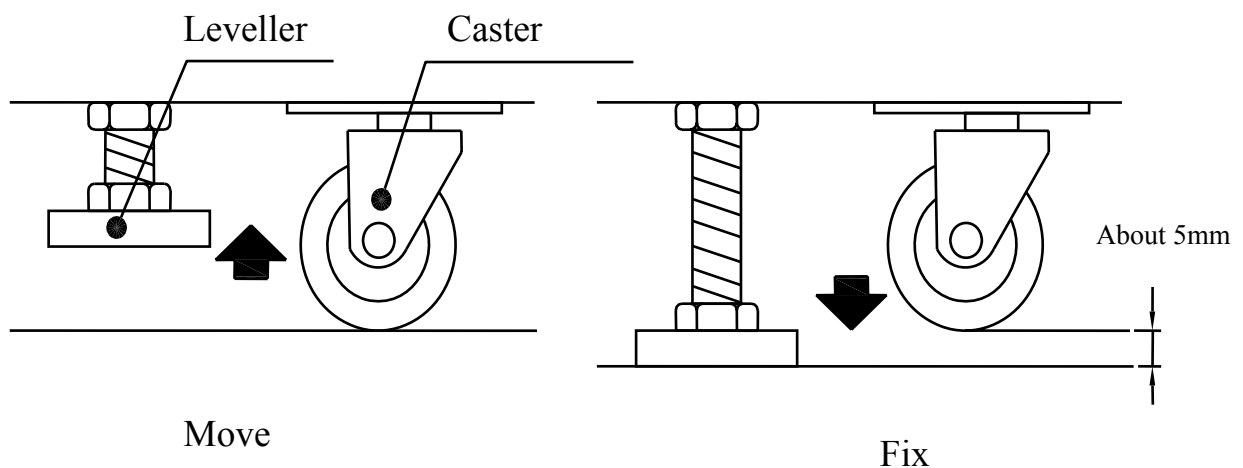


This machine is designed for indoor use only. Never install this machine outdoors or any of the following:

- Places where dew may develop due to temperature differences;
- Locations close to hazardous article;
- Locations close to a heating instrument;
- Close to instruments that can easily catch fire;
- Unstable or vibrating places;

### 4.2 Game leveling:

Install this machine on a flat surface. Adjust levelers to lift casters off the ground and level game.

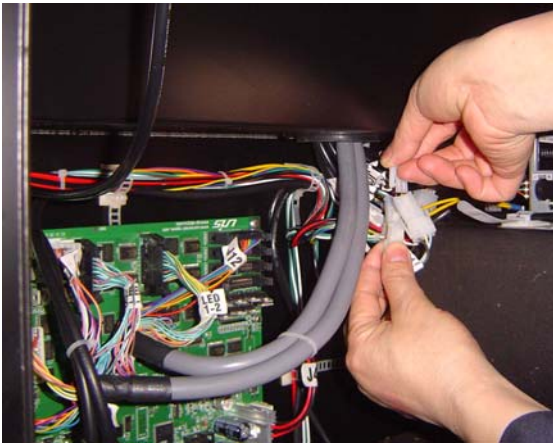


## 5. Package :

For moving the game a short distance, just adjust the leveler and then move the game. For moving the game a long distance, it should be packed. Before operating the game, it should be assembled.

✧ Remove the control panel:

Step 1: Unplug the connectors from the PBC.



Step 2: Unplug the high voltage and low voltage connectors pictured.

Step 3: Pull the wires out of the hole carefully. Please do not break the wire.



Step 4: Remove screws on the two side of the control panel.

Step 5: Pull the control panel in the front.



Step 6: The package should be the same as the factory original packing.

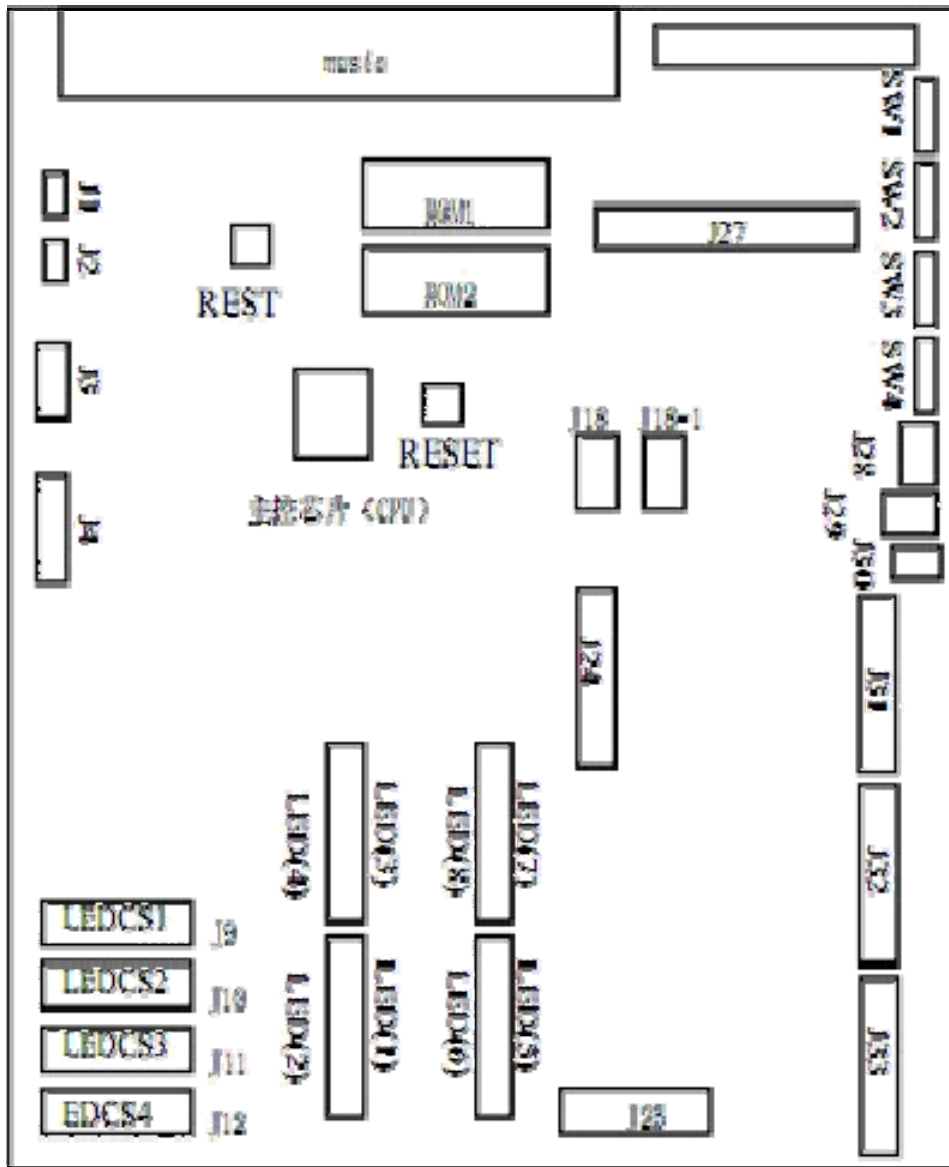
## 6. Game Description:

- ✓ Insert coin(s). Press “single player” button or “link game” button to start the game.
- ✓ Start shooting. The big display will show some relative information. The default setting is: points for stage 1. 60 points for stage 2. 100 points for stage 3. If the player cannot get that score, the game is over.
- ✓ Tickets will be paid according to the score.

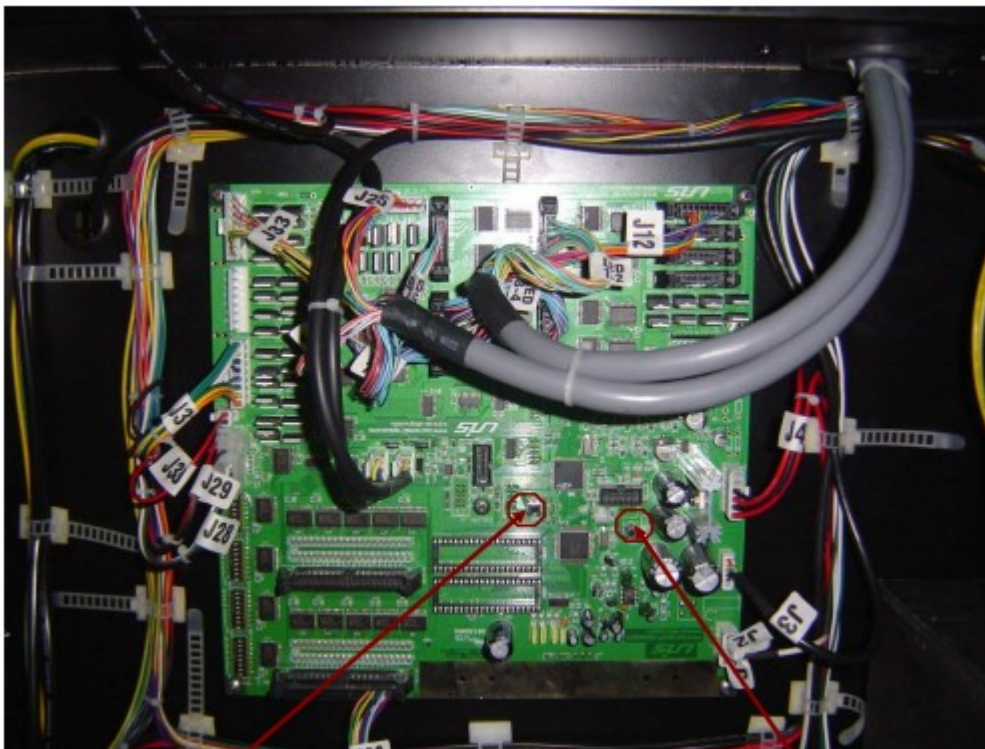
(Notice: It is suggested that 6 balls for each game to play.)

## 7. Switches control signal

- 7.1 Refer to the attached I/O chart and the schematic.
- 7.2 To adjust DIP SWITCH, please refer the I/O chart. The initial setting is in capitalization.
- 7.3 Main board:



## 7.4 Main board connecting



RESET button

TEST button

- Test : Press“test” to this mode, go into 0, press “test” after 1 second to go to 1. The oter is the same.
- Test 0: **Jack number** Led\_J33 2-1 flash and display “-0” to Test 0. the rest will display LED numbers, Led J-33, Led -J-32 is c. Dox martrix display each number.
- Test 1: **LED** Led\_J33 2-1 flash and display “-2”, Led\_J33 3-6
- Test 2: **DIP SW** LED\_J33 2-1 flash and display, '-2', LED\_J33 3-6 display each DIP state.
- Test3: **Input** LED\_J33 2-1 flash and display, '-3', LED\_J33 4-3 display 1 st GND input signal ,LED\_J33 6-5 display 2<sup>nd</sup>, an so on. LED\_J32 8-7display 7<sup>th</sup>. Each input has coin sound .
- Test 4: **Output** LED\_J33 2-1 flash and display, '-4', I1-I8 and I9-I16control Out1-Out48
- Test 5: **Output** LED\_J33 2-1 flash and display, '-5', I1-I48control Out1-Out48.
- Test 6: **Output** LED\_J33 2-1 flash and display, '-6', Out1-Out48, 8numbers as one group for output..
- Test 7: **Music** LED\_J33 2-1 flash and display, '-7', LED\_J33 5-3 display present music number, I1for play, I2 for +1, I3for set to 0, I4plus 10.

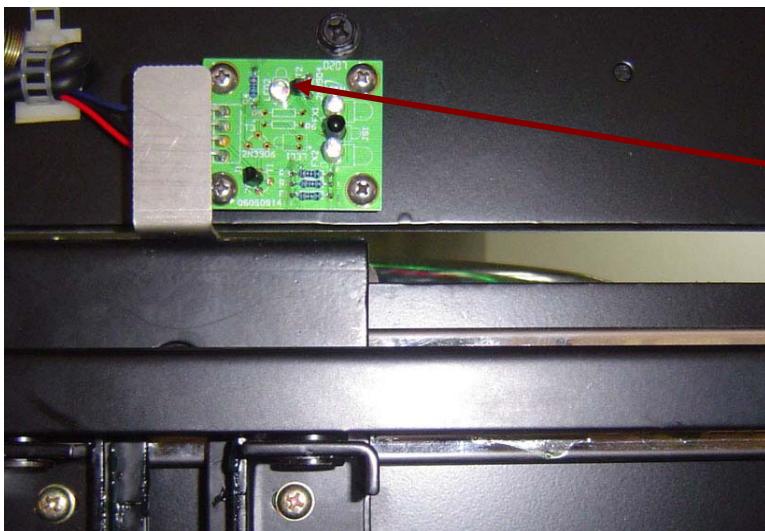
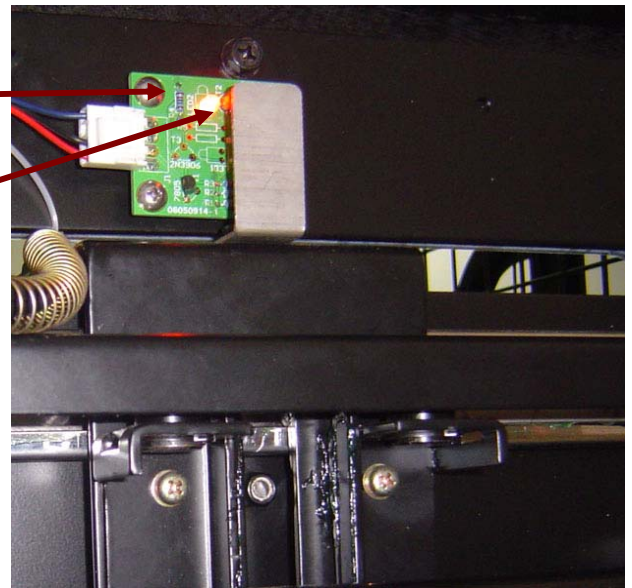


### 7.5 Signal detections:

Sensor detection board

Sensor light:

To detect if the rim is in the center or not. If the sensor detects the rim, it will light up.



The rim is out of the position of the sensor. It can't detect the signal so the light is off.

### 7.6 Relay board and the ticket drive board location:

The relay board is located at the right corner of the service door.

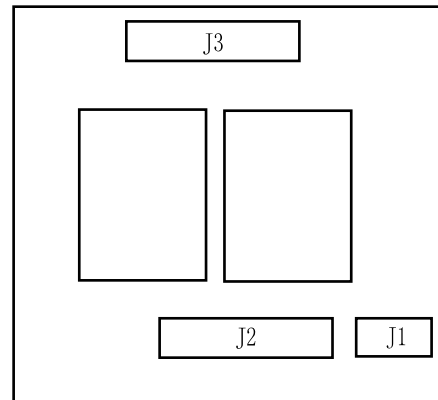


Open the ticket door to find the ticket drive board.

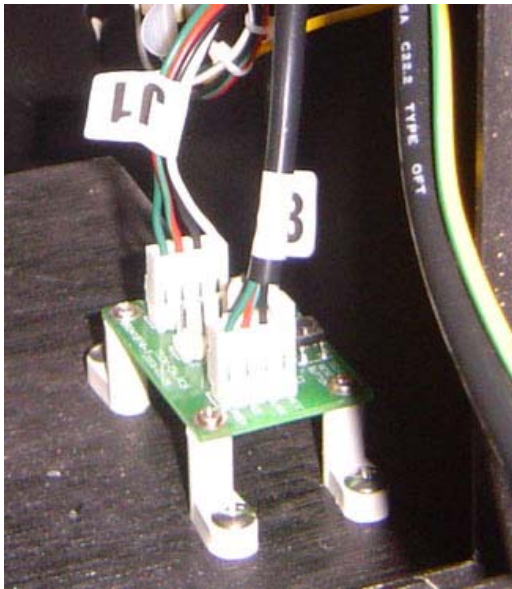
Relay board:



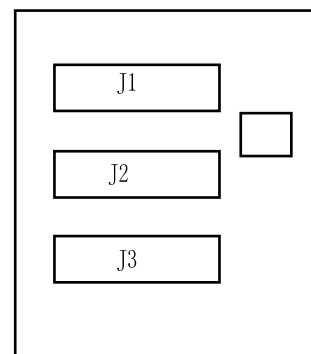
Relay board sketch map:



Ticket drive board:

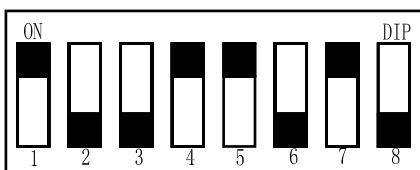


Ticket drive board sketch map:

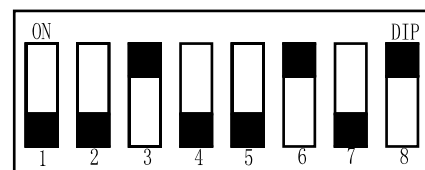


### 7.7 DIP Setting (Default setting)

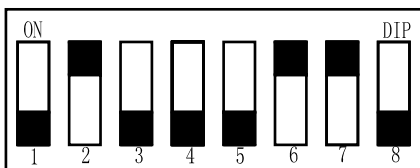
SW1



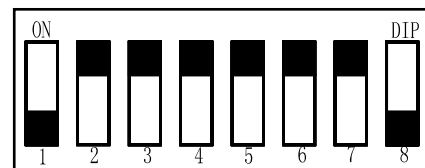
SW2



SW3



SW4



### Notice

The above are subject change without notice.

## 8. Parameter Setting:

### (1) Coin per game:

SW1-1 and SW1-2 are the switches to adjust how many coins to start the game. There are 4 options.

Item	Content	DIP SW1		Note
		1	2	
Coin per game	0	on	On	Free play
	1	off	on	1 coin for one game
	<b>2</b>	<b>ON</b>	<b>OFF</b>	<b>2 coin for one game</b>
	3	off	off	3 coin for one game

### (2) Score per ticket:

SW1-3 and SW1-5 are the switches to adjust the payout. There are 8 options.

Item	Content	DIP SW1			Note
		3	4	5	
Score per ticket	10	on	on	on	Every 10 points for 1 ticket
	<b>20</b>	<b>OFF</b>	<b>ON</b>	<b>ON</b>	<b>Every 20 points for 1 ticket</b>
	30	on	off	on	Every 30 points for 1 ticket
	40	off	off	on	Every 40 points for 1 ticket
	50	on	on	off	Every 50 points for 1 ticket
	60	off	on	off	Every 60 points for 1 ticket
	80	on	off	off	Every 80 points for 1 ticket
	No ticket	off	off	off	No tickets payout

### (3) Mercy ticket

SW1-6~SW1-7 are switches to adjust the minimum ticket payout. There are 4 options.

Item	Content	DIP SW1		Note
		6	7	
Mercy ticket	0	on	on	Not ticket payout
	<b>1</b>	OFF	ON	<b>At least dispense 1 tickets</b>
	2	on	off	At least dispense 2 tickets
	3	off	off	At least dispense 3 tickets

### (4) High score memory

SW1-8 is switch to keep the high score or not. There are 2 options.

Item	Content	DIP SW1	Note
		8	
High score memory	Able	on	
	<b>Unable</b>	<b>OFF</b>	

## (5) Round per game

SW2- 1~ SW2-2 are the switches to adjust how many rounds for one play. There are 4 options.

Item	Content	DIP SW2		Note
		1	2	
Round per game	1	on	on	1 round for 1 game
	2	off	on	2 round for 1 game
	3	on	off	3 round for 1 game
	<b>4</b>	<b>OFF</b>	<b>OFF</b>	<b>4 round for 1 game</b>

## (6) Game time

SW2-3~ SW2-4 are the switches to adjust the play time for each round. There are 4 options.

Item	Content	DIP SW2		Note
		3	4	
Game time	A	on	on	Select project A
	B	off	on	Select project B
	<b>C</b>	<b>ON</b>	<b>OFF</b>	<b>Select project C</b>
	D	off	off	Select project D

## (7) High score initial value

SW2-5~ SW2-6 are the switches to adjust the initial value of the high score setting. There are 4 options

Item	Content	DIP SW2		Note
		5	6	
High score initial value	150	on	on	High score setting is 150
	<b>200</b>	<b>OFF</b>	<b>ON</b>	<b>High score setting is 200</b>
	250	on	off	High score setting is 250
	300	off	off	High score setting is 300

## (8) DBV ( Round per bill)

SW2-7~ SW2-8 are the switches to adjust the bill for each round. There are 4 options.

Item	Content	DIP SW2		Note
		7	8	
DBV ( Round per bill)	1	on	on	1 bill for 1 round
	2	<b>OFF</b>	<b>ON</b>	<b>1 bill for 2 round</b>
	3	on	off	1 bill for 3 round
	4	off	off	1 bill for 4 round

## (9) Score for pass

SW3-1~ SW3-2 are the switches to adjust the score for passing each stage. There are 4 options.

Item	Content	DIP SW3		Note
		1	2	
Score for pass	<b>A</b>	<b>on</b>	<b>on</b>	<b>Select project A</b>
	<b>B</b>	<b>OFF</b>	<b>ON</b>	<b>Select project B</b>
	C	on	off	Select project C
	D	off	off	Select project D

## (10) JP score

SW3-3~ SW3-4 are the switches to adjust the JP score. There are 4 options.(Only enabled when using the JP marquee)

Item	Content	DIP SW3		Note
		3	4	
JP score	200	on	on	Reach 200 score for JP ticket
	250	off	on	Reach 250 score for JP ticket
	300	on	off	Reach 300 score for JP ticket
	<b>350</b>	<b>OFF</b>	<b>OFF</b>	<b>Reach 350 score for JP ticket</b>

## (11) 3 Point time

SW3-5 is the switch to adjust the time during 3 point shooting, There are 2 options.

Item	Content	DIP SW1	Note
		5	
3 Point time	A	on	Select project A
	<b>B</b>	<b>OFF</b>	<b>Select project B</b>

## (12) Win JP ticket

SW3-6~SW3-7 are the switches to adjust tickets on JP. There are 4 options. (It is enabled when using JP marquee.)

Item	Content	DIP SW3		Note
		6	7	
Win JP ticket	<b>10</b>	<b>ON</b>	<b>ON</b>	<b>Get 10 extra tickets when JP is won</b>
	20	off	on	Get 20 extra tickets when JP is won
	30	on	off	Get 30 extra tickets when JP is won
	50	off	off	Get 50 extra tickets when JP is won

## (13) JP ticket

SW3-8 is the switch to adjust if getting the JP ticket or not when you reach the JP score. There are 2 options.(It is enabled when using JP marquee)

Item	Content	DIP SW1		Note
		8		
JP ticket	Yes	on		Have JP ticket
	No	OFF		No JP ticket JP

## (14) Game time, score for pass, 3 point time table.

Version	NO	Game time				3 Point time				Score for pass			
		Stg 1	Stg 2	Stg 3	Stg 4	Stg 1	Stg 2	Stg 3	Stg 4	Stg 1	Stg 2	Stg 3	Stg 4
CEC	A	30	25	20	20	25	20	20	20	30	60	100	150
	B	30	30	25	20	25	25	20	20	40	80	150	200
	C	40	35	30	25					50	100	160	250
	D	45	40	35	30					60	130	200	300

## (15) Game NO. , Group and Demo

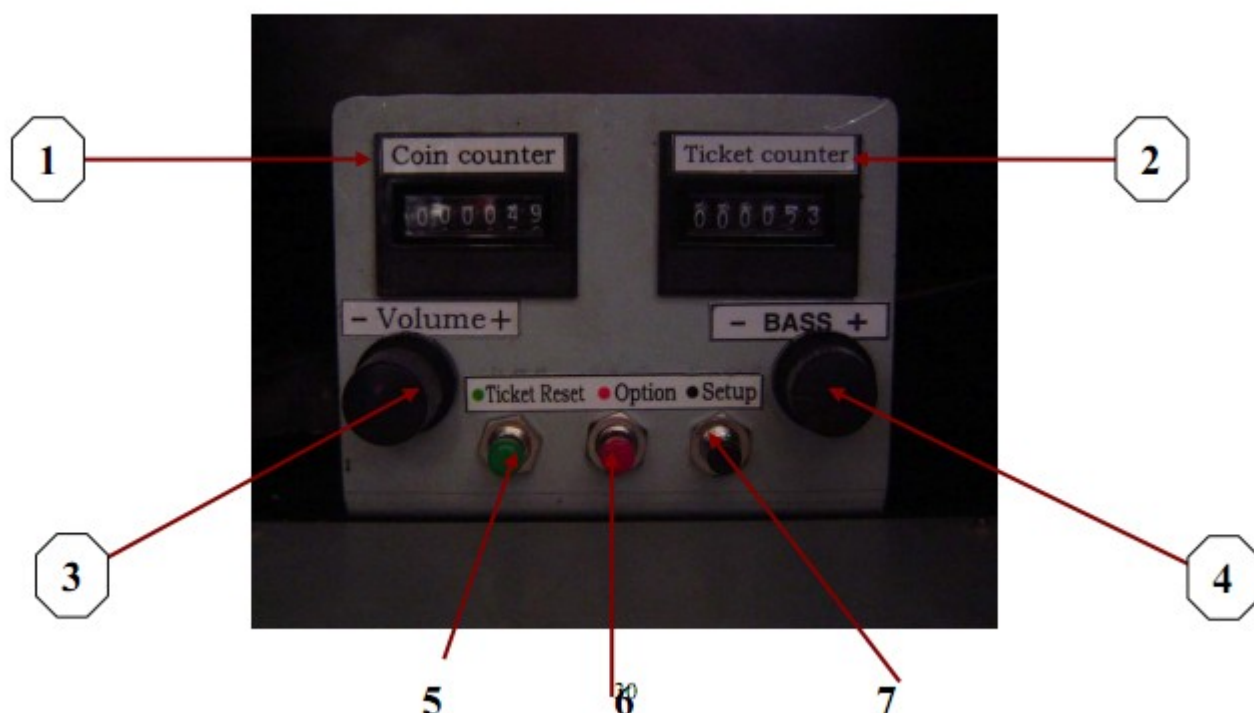
SW4-1~ SW4-8 are the switch to show the game No., the group way and demo switch.

Item	Content	DIP SW								Note
		41	42	43	44	45	46	47	48	
Main	NO 1	OFF	ON	ON	ON	ON				
Game No.	NO 2	on	off	on	on	on				
	NO 3	off	off	on	on	on				
	NO 4	on	on	off	on	on				
	NO 5	off	on	off	on	on				
	NO 6	on	off	off	on	on				
	NO 7	off	off	off	on	on				
	NO 8	on	on	on	off	on				
	NO 9	off	on	on	off	on				
	NO 10	on	off	on	off	on				
	NO 11	off	off	on	off	on				
	NO 12	on	on	off	off	on				
	NO 13	off	on	off	off	on				
	NO 14	on	off	off	off	on				
	NO 15	off	off	off	off	on				
	NO 16	on	on	on	on	off				
	NO 17	off	on	on	on	off				
	NO 18	on	off	on	on	off				
	NO 19	off	off	on	on	off				
	NO 20	on	on	off	on	off				
	NO 21	off	on	off	on	off				
NO 22	on	off	off	on	off					
NO 23	off	off	off	on	off					

Game No.	NO 24	on	on	on	off	off				
	NO 25	off	on	on	off	off				
	NO 26	on	off	on	off	off				
	NO 27	off	off	on	off	off				
	NO 28	on	on	off	off	off				
	NO 29	off	on	off	off	off				
	NO 30	on	off	off	off	off				
	<b>JP Marquee</b>	<b>OFF</b>	<b>OFF</b>	<b>OFF</b>	<b>OFF</b>	<b>OFF</b>				
Group per game	<b>1</b>						<b>ON</b>	<b>ON</b>		<b>1 game as 1 group</b>
	5						off	on		5 game as 1 group
	10						on	off		10 game as 1 group
	1						off	off		1 game as 1 group
Demo	Yes								on	
	<b>No</b>								<b>OFF</b>	

✧ Meter panel :

✧



- ✧ 1. Coin counter: Display the amount of the coins put in.
- ✧ 2. Ticket counter: Display the amount of the tickets dispensed.
- ✧ 3. Ticket reset: Reset the tickets when refill the tickets.
- ✧ 4. Option: No function for the moment.
- ✧ 5. Setup: No function for the moment.
- ✧ 6. Option: No function for the moment
- ✧ 7. Setup: No function for the moment

## **9. Game installation and service**

### **9.1 Installation**

- ① Firstly check the assembling instructions and assemble the game.**
- ② Secondly, adjust the leveler of the game on even ground.**
- ③ After installation, plug in. check the game operation. If there is a problem, stop the game and please check the trouble shooting section of this manual.**

### **9.2 Game maintenance**

- ① Try to run the game first before operation every day .**
- ② Check every component after running the game for a month.**
- ③ Check the machine regularly.**

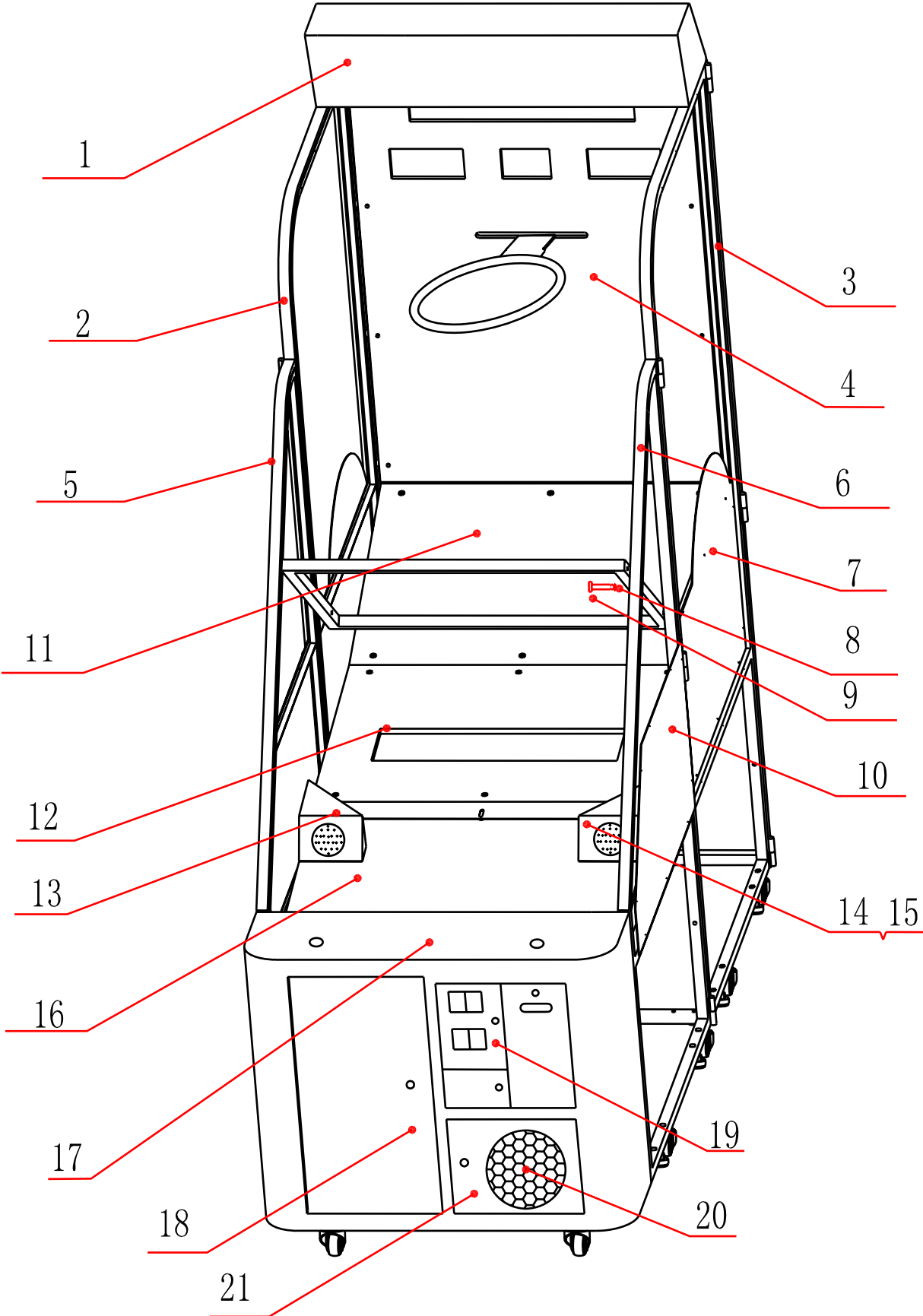


**10. Game maintenance:**

No.	Problem	Cause	Possible solution
1	No ticket dispensed	<ol style="list-style-type: none"> <li>1. No tickets in the game;</li> <li>2. Tickets are jammed;</li> <li>3. Poor connection on the ticket dispenser.</li> </ol>	<ol style="list-style-type: none"> <li>1. Refill and press reset button;</li> <li>2. Take the jammed tickets out and then press the reset button;</li> <li>3. Replace with a better connector.</li> </ol>
2	Does not score when ball goes in	<ol style="list-style-type: none"> <li>1. Reflective paper is worn or old;</li> <li>2. Poor connection;</li> <li>3. Ball sensor is damaged.</li> </ol>	<ol style="list-style-type: none"> <li>1. Replace the reflective paper;</li> <li>2. Make sure the connection is good;</li> <li>3. Replace with new sensor.</li> </ol>
3	Rim in wrong position	<ol style="list-style-type: none"> <li>1. Sensors disconnection</li> <li>2. Rim detected sensor is damaged;</li> </ol>	<ol style="list-style-type: none"> <li>1. connect the sensor;</li> <li>2. Replace the sensor board.</li> </ol>
4	Rim doesn't move	<ol style="list-style-type: none"> <li>1. Relay is not working;</li> <li>2. Motor is not working;</li> <li>3. Faulty connectors</li> </ol>	<ol style="list-style-type: none"> <li>1. Check the power voltage to see if it is the same as motor voltage;</li> <li>2. Insure wire is connected properly;</li> <li>3. Replace with new sensor.</li> </ol>
5	Ball gate faulty	<ol style="list-style-type: none"> <li>1. sensor connector is loose;</li> <li>2. sensor is no t working.</li> </ol>	<ol style="list-style-type: none"> <li>1. Connect the wire properly;</li> <li>2. Replace the new sensor.</li> </ol>
6	Ball gate not open or not closed	<ol style="list-style-type: none"> <li>1. Drive board sensor is not working;</li> <li>2. Motor is not working;</li> <li>3. Poor connection.</li> </ol>	<ol style="list-style-type: none"> <li>1. check the ball sensor input signal;</li> <li>2. make sure power voltage is the same as motor voltage;</li> <li>3. make sure every connetor is connected.</li> </ol>

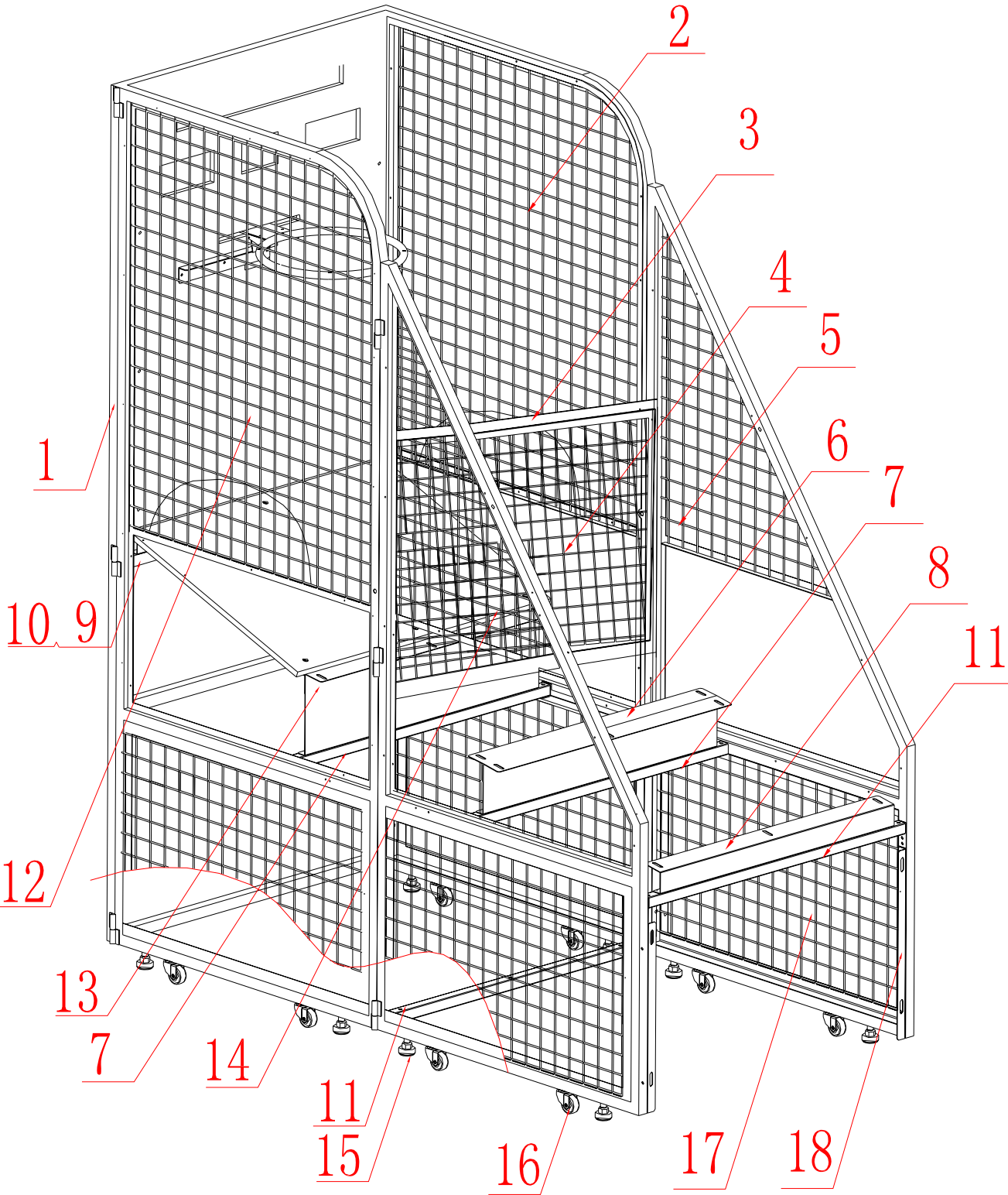
# 11. Overall structure

## 11.1 Main part 1:



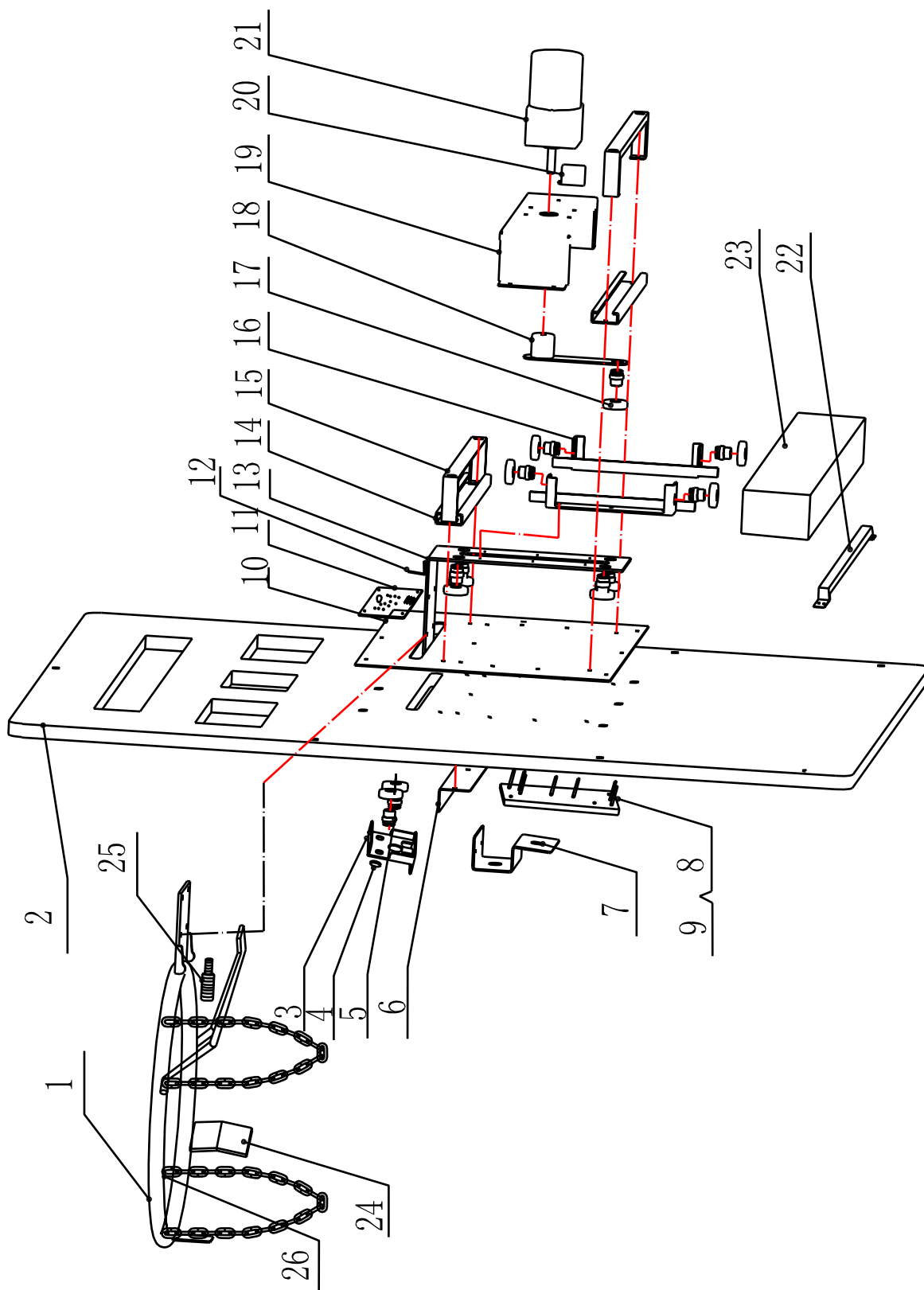
No.	Part No.	Name	Qty	Spec.	Note
1	R102-003-000	Header Assy.	1		
2	R102-102-000	Rear frame_L	1	Square tube	
3	R102-103-000	Rear frame_R	1	Square tube	
4	R102-008-000	Motion Assy.	1		
5	R102-104-000	Rear side panel	3	Square tube	
6	R102-105-000	Shield ring	1	Square tube	
7	R102-106-000	Rear side panel	2	Q235	
8	R102-301-000	Shield ring	1	Q235	
9	R102-302-000	Frame fix cover	1	Q235	
10	R102-107-000	Front side panel	2	Q235	
11	R102-501-000	Playfield 3	1	Plywood	
12	R102-004-000	Ball gate assy.	1		
13	R102-009-000	Speaker_L rack	1	Q235	
14	R102-010-000	Speaker_L rack	1	Q235	
15	R102-401-000	Speaker	2	FEILO 8 Ω /10W	
16	R102-502-000	Playfield 1	1	Plywood	
17	R102-002-000	Control panel assy.	1		
18	R102-108-000	Front door	1	Q235	
19	R102-402-000	Triple door	1	Standard (with coin mech frame )	
20	R102-109-000	Big speaker net	1		
21	R102-110-000	Front low right door	1	Q235	

11.2 Main part 2



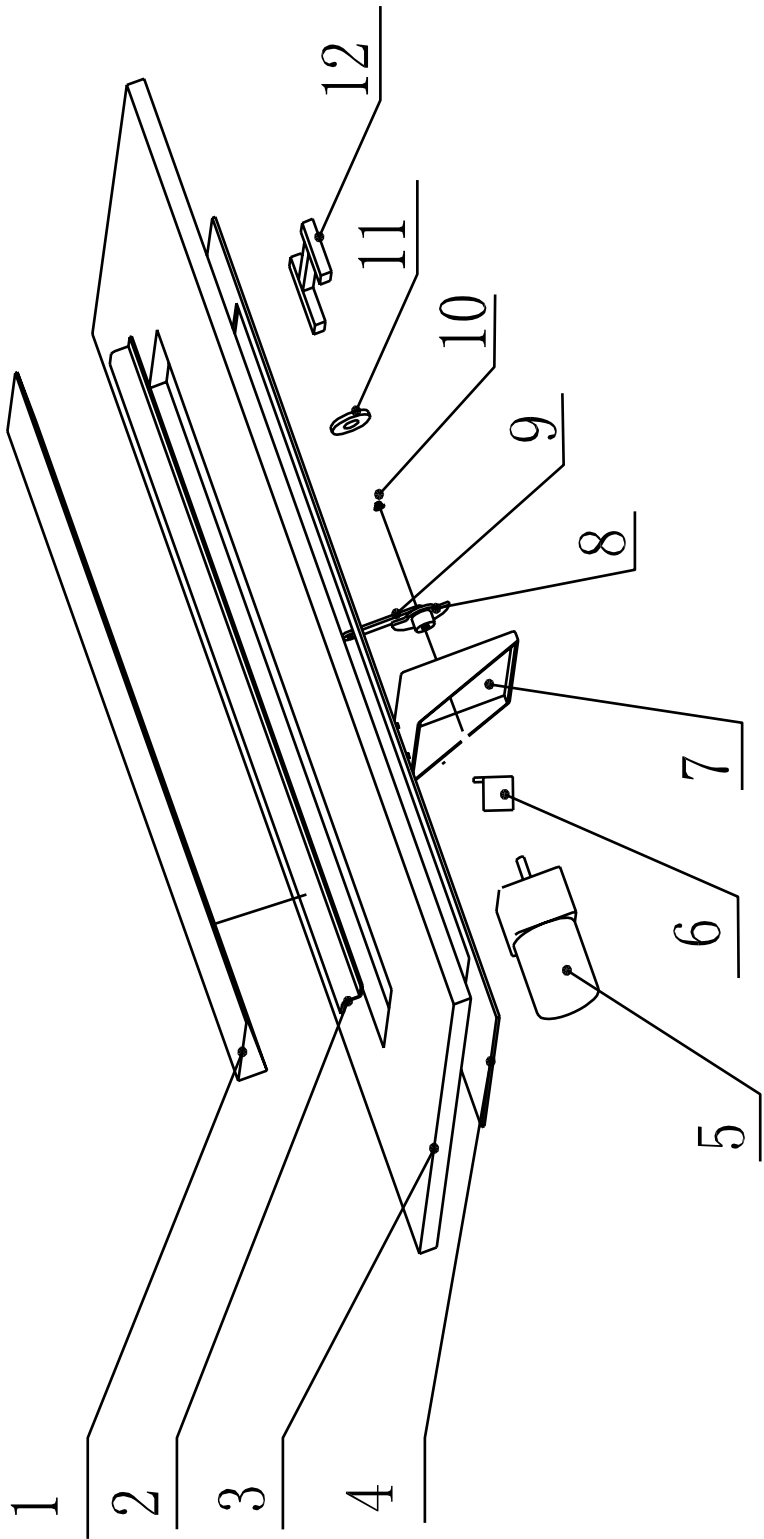
No.	Part No.	Name	Q'ty	Spec.	Note
1	R102-111-000	Rear frame rack	1	Square tube	
2	R102-112-000	Rear side_R net	1	Q235	
3	R102-113-000	Front frame	1	Q235	
4	R102-114-000	Front net	1	Q235	
5	R102-115-000	Front side_R rack	1	Square tube	
6	R102-116-000	Beam rack 2	1	Q235	
7	R102-117-000	Beam 2	2	Square tube	
8	R102-118-000	Beam rack 1	1	Q235	
9	R102-119-000	Beam rack 4	1	Q235	
10	R102-120-000	Damping board	2		
11	R102-121-000	Beam 1	2	Square tube	
12	R102-122-000	Rear side_L net	1	Q235	
13	R102-123-000	Beam rack 3	1	Q235	
14	R102-124-000	Front side_L rack	1	Q235	
15	R102-403-000	Leveller	8		
16	R102-404-000	Castor	8	2’’	
17	R102-125-000	Botton net	4	Q235	

### 11.3 Motion Assy.



No.	Part No.	Name	Q'ty	Spec.	note
1	R102-405-000	Rim	1	$\phi 20$	
2	R102-503-000	Back board	1	15mm	
3	R102-126-000	Bearing rack	1	3 mm	
4	R102-303-000	Shield ring	1	$d_0=16$	
5	R102-304-000	Bearing axis	13		
6	R102-127-000	Bearing track	1	1.5 mm	
7	R102-128-000	Sensor rack	1	1.5 mm	
8	R102-129-000	Reinforce_L	1		
9	R102-130-000	Reinforce_R	1		
10	R102-131-000	Attached board	1	1.5 mm	
11	R102-132-000	Sensor board	1		
12	R102-133-000	Sensor block			
13	R102-134-000	Main frame	1	3 mm	
14	R102-135-000	Guide I	2	2 mm	
15	R102-136-000	Guide II	2	2mm	
16	R102-137-000	Bracket	2	3 mm	
17	R102-406-000	Bearing	11	6002	
18	R102-138-000	Connected rod	1	2 mm	
19	R102-139-000	Motor rack	1	2mm	
20	R102-407-000	Start up capacitor	1		
21	R102-408-000	Motor	1	YN70-15Z/70JB100 G8	
22	R102-140-000	Light tube bracket	1	Q235	
23	R102-141-000	Light tube cover	1	Q235	
24	R102-409-000	Reflect paper	1	50×55	
25	R102-410-000	Ball detected	2	E3F-R2N1	
26	R102-142-000	Chain jacket	1	BLK PE	

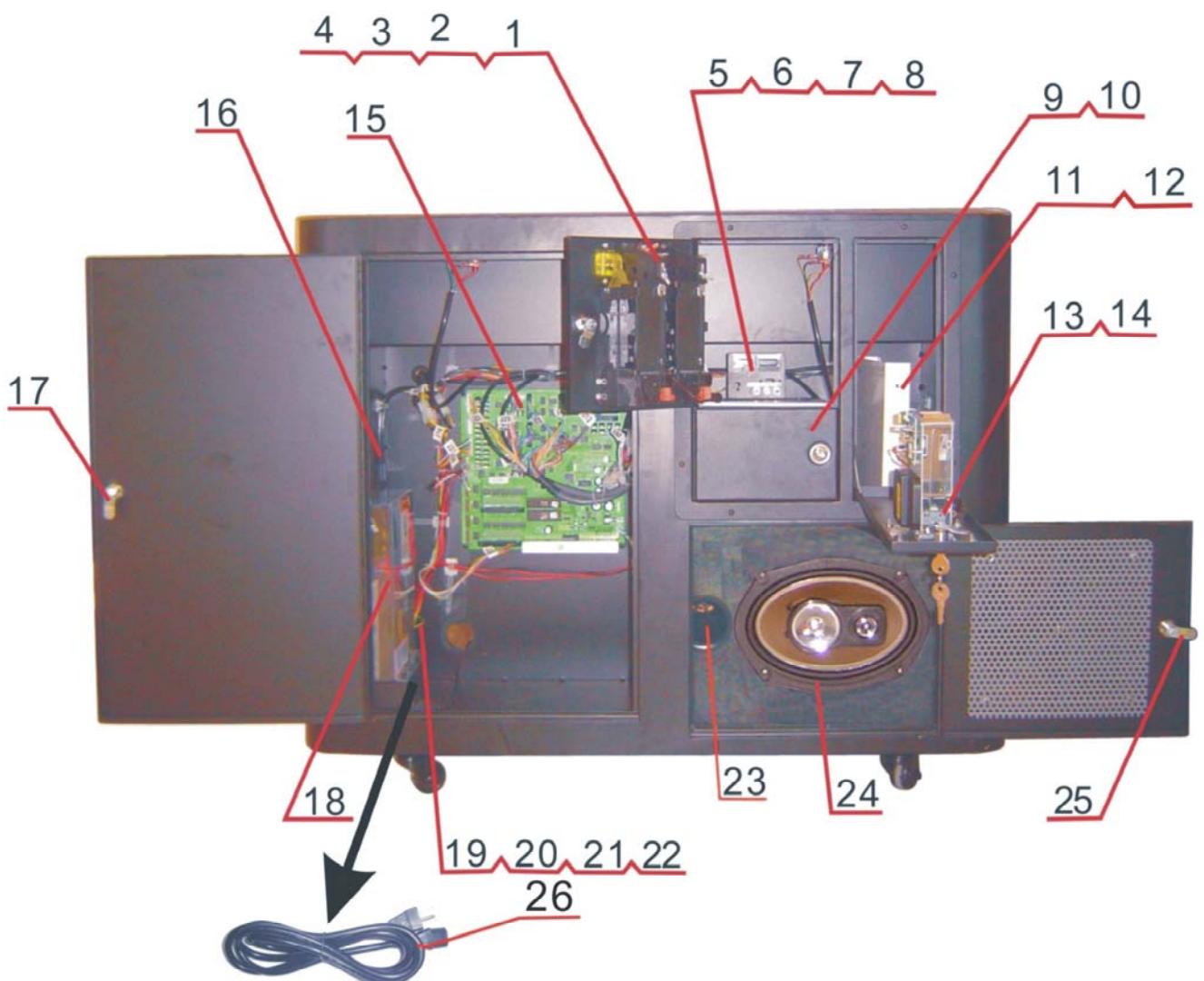
11.4 Ball gate Assy





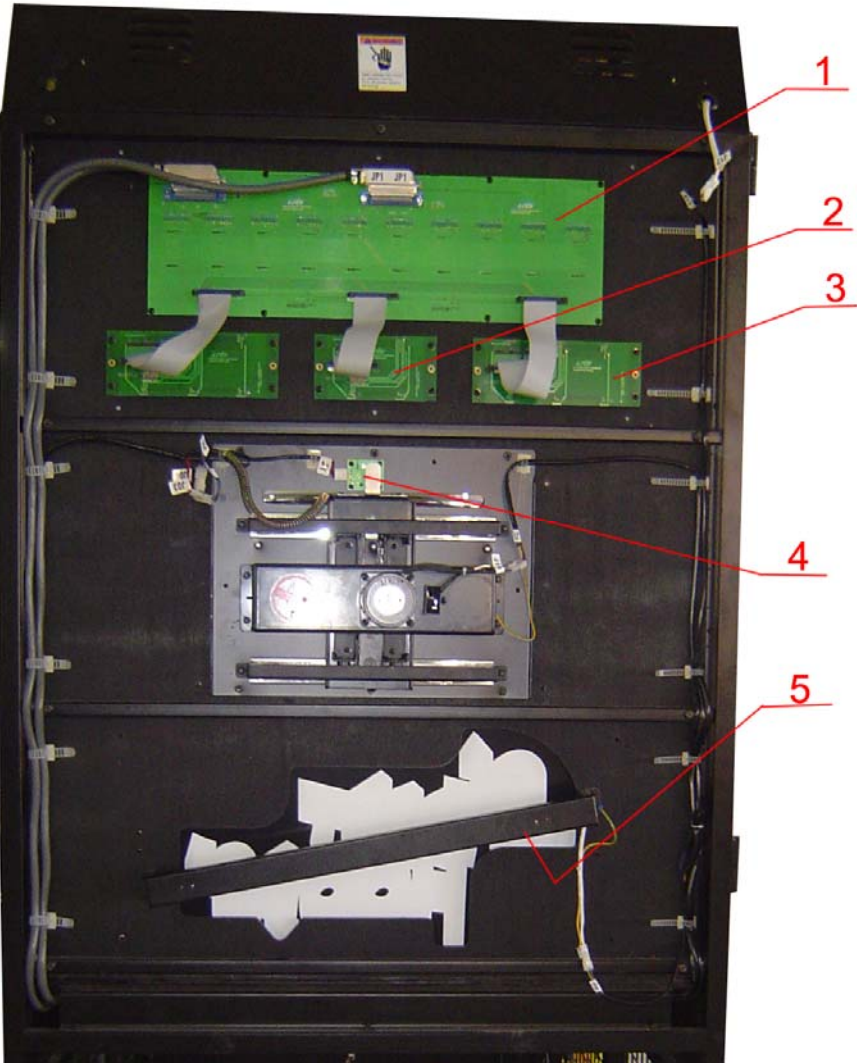
No.	Part No.	Name	Q'ty	Spec.	Note
1	R102-143-000	Ball	1	1.5mm	
2	R102-144-000	Hinge	1		
3	R102-504-000	Bed plate	1	15mm	
4	R102-145-000	Fix board	1	3mm	
5	R102-411-000	Motor	1	YN60-6Z/60JB100G10	
6	R102-412-000	Capacito	1		
7	R102-146-000	Motor bracket	1	3mm	
8	R102-147-000	Encoder wheel	1		
9	R102-148-000	Connection	1	3mm	
10	R102-305-000	Axle sleeve	2		
11	R102-306-000	Shield ring	1	$d_0=5$	
12	R102-413-000	Sensor	1	NC(YIIN-5V)	

### 11.5 Control panel Assy.



No.	Part No.	Name	Qty	Spec.	Note
1	R102-414-000	Bulb	4	12V 3W	
2	R102-415-000	Coin mech	2	CEC	
3	R102-416-000	Coin SW	2	ZIPPYCNR-055-03-Z	
4	R102-417-000	Bulb clamp	2	For coin lamp	
5	R102-418-000	Counter	1	12V	
6	R102-419-000	Test button	3	1 RED ,1GRN,1 BLK	
7	R102-420-000	Dual POT	1	1K	
8	R102-421-000	Single POT	1	10K	
9	R102-149-000	Coin box	1		
10	R102-422-000	Coin box lock	1	2222	
11	R102-150-000	Ticket box	1	Q235	
12	R102-801-000	Ticket conversion board	1	TICK-CH.PCB	
13	R102-424-000	Ticket mech	1	TD-963CR	
14	R102-423-000	Ticket lock	1	171	
15	R102-802-000	Main board	1	V8	
16	R102-803-000	Relay board	1	JDQ-LY2J-12V	
17	R102-423-000	Service door lock	1	171	
18	R102-425-000	Power box	1	EPM-S-250D12+24	
19	R102-426-000	Power switche	1	12A/125V 1/4HP	
20	R102-427-000	Fuse	1	10A/125V $\phi$ 5-20	
21	R102-428-000	Fuse socket	1	10A/250V R3-11	
22	R102-429-000	Filter	1	10GENG3E-R	
23	R102-430-000	Sound box hole	1		
24	R102-431-000	Speaker	1		
25	R102-423-000	Speaker door lock	1	171	
26	R102-804-000	Power cord	1	3. 5M	

11.6 Other electroinc component:



No.	Part No.	Name	Q'ty	Spec.	Note
1	R102-805-000	Dot matrix	1	DZ-1120.PCB	
2	R102-806-000	2 Digit display	1	LED86*65-2U.PCB	
3	R102-807-000	3 Digit display	2	LED86*65-3U.PCB	
4	R102-432-000	Sensor	1	Fanse.PCB	
5	R102-433-000	Fuorescent lamp1	1	T5 14W	
6	R102-434-000	Insulated cable $\phi$ 50	2	Caliber $\phi$ 50	
7	R102-435-000	Insulated cable $\phi$ 24	5	Caliber $\phi$ 24	
8	R102-808-000	3 Core connector	1	1 male ,1 female	

11.7 Game decal:





13



15



25



14



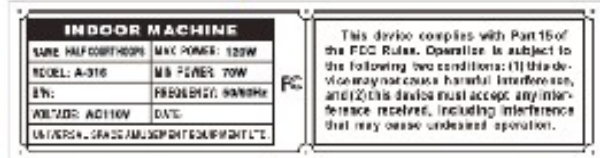
19

J19	J19	J29	J29	J49	J49	J71	J71	J44	J44	J04	J04
J19	J19	J30	J30	J50	J50	J71	J71	J00	J00	J06	J06
J20	J20	J31	J31	J51	J51	J71	J71	J01	J01	J06	J06
J20	J20	J32	J32	J52	J52	J71	J71	J02	J02	J06	J06
J24	J24	J41	J41	J61	J61	J71	J71	J02	J02	J06	J06
J25	J25	J42	J42	J62	J62	J71	J71	J03	J03	J06	J06
J26	J26	J43	J43	J63	J63	J71	J71	J03	J03	J06	J06
J26	J26	J44	J44	J64	J64	J71	J71	J03	J03	J06	J06
J26	J26	J45	J45	J65	J65	J71	J71	J03	J03	J06	J06
J26	J26	J46	J46	J66	J66	J71	J71	J03	J03	J06	J06
J26	J26	J47	J47	J67	J67	J71	J71	J03	J03	J06	J06
J26	J26	J48	J48	J68	J68	J71	J71	J03	J03	J06	J06
J26	J26	J49	J49	J69	J69	J71	J71	J03	J03	J06	J06
J26	J26	J50	J50	J70	J70	J71	J71	J03	J03	J06	J06
J26	J26	J51	J51	J71	J71	J71	J71	J03	J03	J06	J06
J26	J26	J52	J52	J72	J72	J71	J71	J03	J03	J06	J06
J26	J26	J53	J53	J73	J73	J71	J71	J03	J03	J06	J06
J26	J26	J54	J54	J74	J74	J71	J71	J03	J03	J06	J06
J26	J26	J55	J55	J75	J75	J71	J71	J03	J03	J06	J06
J26	J26	J56	J56	J76	J76	J71	J71	J03	J03	J06	J06
J26	J26	J57	J57	J77	J77	J71	J71	J03	J03	J06	J06
J26	J26	J58	J58	J78	J78	J71	J71	J03	J03	J06	J06
J26	J26	J59	J59	J79	J79	J71	J71	J03	J03	J06	J06
J26	J26	J60	J60	J80	J80	J71	J71	J03	J03	J06	J06
J26	J26	J61	J61	J81	J81	J71	J71	J03	J03	J06	J06
J26	J26	J62	J62	J82	J82	J71	J71	J03	J03	J06	J06
J26	J26	J63	J63	J83	J83	J71	J71	J03	J03	J06	J06
J26	J26	J64	J64	J84	J84	J71	J71	J03	J03	J06	J06
J26	J26	J65	J65	J85	J85	J71	J71	J03	J03	J06	J06
J26	J26	J66	J66	J86	J86	J71	J71	J03	J03	J06	J06
J26	J26	J67	J67	J87	J87	J71	J71	J03	J03	J06	J06
J26	J26	J68	J68	J88	J88	J71	J71	J03	J03	J06	J06
J26	J26	J69	J69	J89	J89	J71	J71	J03	J03	J06	J06
J26	J26	J70	J70	J90	J90	J71	J71	J03	J03	J06	J06
J26	J26	J71	J71	J91	J91	J71	J71	J03	J03	J06	J06
J26	J26	J72	J72	J92	J92	J71	J71	J03	J03	J06	J06
J26	J26	J73	J73	J93	J93	J71	J71	J03	J03	J06	J06
J26	J26	J74	J74	J94	J94	J71	J71	J03	J03	J06	J06
J26	J26	J75	J75	J95	J95	J71	J71	J03	J03	J06	J06
J26	J26	J76	J76	J96	J96	J71	J71	J03	J03	J06	J06
J26	J26	J77	J77	J97	J97	J71	J71	J03	J03	J06	J06
J26	J26	J78	J78	J98	J98	J71	J71	J03	J03	J06	J06
J26	J26	J79	J79	J99	J99	J71	J71	J03	J03	J06	J06
J26	J26	J80	J80	J00	J00	J71	J71	J03	J03	J06	J06
J26	J26	J81	J81	J01	J01	J71	J71	J03	J03	J06	J06
J26	J26	J82	J82	J02	J02	J71	J71	J03	J03	J06	J06
J26	J26	J83	J83	J03	J03	J71	J71	J03	J03	J06	J06
J26	J26	J84	J84	J04	J04	J71	J71	J03	J03	J06	J06
J26	J26	J85	J85	J05	J05	J71	J71	J03	J03	J06	J06
J26	J26	J86	J86	J06	J06	J71	J71	J03	J03	J06	J06
J26	J26	J87	J87	J07	J07	J71	J71	J03	J03	J06	J06
J26	J26	J88	J88	J08	J08	J71	J71	J03	J03	J06	J06
J26	J26	J89	J89	J09	J09	J71	J71	J03	J03	J06	J06
J26	J26	J90	J90	J10	J10	J71	J71	J03	J03	J06	J06
J26	J26	J91	J91	J11	J11	J71	J71	J03	J03	J06	J06
J26	J26	J92	J92	J12	J12	J71	J71	J03	J03	J06	J06
J26	J26	J93	J93	J13	J13	J71	J71	J03	J03	J06	J06
J26	J26	J94	J94	J14	J14	J71	J71	J03	J03	J06	J06
J26	J26	J95	J95	J15	J15	J71	J71	J03	J03	J06	J06
J26	J26	J96	J96	J16	J16	J71	J71	J03	J03	J06	J06
J26	J26	J97	J97	J17	J17	J71	J71	J03	J03	J06	J06
J26	J26	J98	J98	J18	J18	J71	J71	J03	J03	J06	J06
J26	J26	J99	J99	J19	J19	J71	J71	J03	J03	J06	J06
J26	J26	J00	J00	J20	J20	J71	J71	J03	J03	J06	J06
J26	J26	J01	J01	J21	J21	J71	J71	J03	J03	J06	J06
J26	J26	J02	J02	J22	J22	J71	J71	J03	J03	J06	J06
J26	J26	J03	J03	J23	J23	J71	J71	J03	J03	J06	J06
J26	J26	J04	J04	J24	J24	J71	J71	J03	J03	J06	J06
J26	J26	J05	J05	J25	J25	J71	J71	J03	J03	J06	J06
J26	J26	J06	J06	J26	J26	J71	J71	J03	J03	J06	J06
J26	J26	J07	J07	J27	J27	J71	J71	J03	J03	J06	J06
J26	J26	J08	J08	J28	J28	J71	J71	J03	J03	J06	J06
J26	J26	J09	J09	J29	J29	J71	J71	J03	J03	J06	J06
J26	J26	J10	J10	J30	J30	J71	J71	J03	J03	J06	J06
J26	J26	J11	J11	J31	J31	J71	J71	J03	J03	J06	J06
J26	J26	J12	J12	J32	J32	J71	J71	J03	J03	J06	J06
J26	J26	J13	J13	J33	J33	J71	J71	J03	J03	J06	J06
J26	J26	J14	J14	J34	J34	J71	J71	J03	J03	J06	J06
J26	J26	J15	J15	J35	J35	J71	J71	J03	J03	J06	J06
J26	J26	J16	J16	J36	J36	J71	J71	J03	J03	J06	J06
J26	J26	J17	J17	J37	J37	J71	J71	J03	J03	J06	J06
J26	J26	J18	J18	J38	J38	J71	J71	J03	J03	J06	J06
J26	J26	J19	J19	J39	J39	J71	J71	J03	J03	J06	J06
J26	J26	J20	J20	J40	J40	J71	J71	J03	J03	J06	J06
J26	J26	J21	J21	J41	J41	J71	J71	J03	J03	J06	J06
J26	J26	J22	J22	J42	J42	J71	J71	J03	J03	J06	J06
J26	J26	J23	J23	J43	J43	J71	J71	J03	J03	J06	J06
J26	J26	J24	J24	J44	J44	J71	J71	J03	J03	J06	J06
J26	J26	J25	J25	J45	J45	J71	J71	J03	J03	J06	J06
J26	J26	J26	J26	J46	J46	J71	J71	J03	J03	J06	J06
J26	J26	J27	J27	J47	J47	J71	J71	J03	J03	J06	J06
J26	J26	J28	J28	J48	J48	J71	J71	J03	J03	J06	J06
J26	J26	J29	J29	J49	J49	J71	J71	J03	J03	J06	J06
J26	J26	J30	J30	J50	J50	J71	J71	J03	J03	J06	J06
J26	J26	J31	J31	J51	J51	J71	J71	J03	J03	J06	J06
J26	J26	J32	J32	J52	J52	J71	J71	J03	J03	J06	J06
J26	J26	J33	J33	J53	J53	J71	J71	J03	J03	J06	J06
J26	J26	J34	J34	J54	J54	J71	J71	J03	J03	J06	J06
J26	J26	J35	J35	J55	J55	J71	J71	J03	J03	J06	J06
J26	J26	J36	J36	J56	J56	J71	J71	J03	J03	J06	J06
J26	J26	J37	J37	J57	J57	J71	J71	J03	J03	J06	J06
J26	J26	J38	J38	J58	J58	J71	J71	J03	J03	J06	J06
J26	J26	J39	J39	J59	J59	J71	J71	J03	J03	J06	J06
J26	J26	J40	J40	J60	J60	J71	J71	J03	J03	J06	J06
J26	J26	J41	J41	J61	J61	J71	J71	J03	J03	J06	J06
J26	J26	J42	J42	J62	J62	J71	J71	J03	J03	J06	J06
J26	J26	J43	J43	J63	J63	J71	J71	J03	J03	J06	J06
J26	J26	J44	J44	J64	J64	J71	J71	J03	J03	J06	J06
J26	J26	J45	J45	J65	J65	J71	J71	J03	J03	J06	J06
J26	J26	J46	J46	J66	J66	J71	J71	J03	J03	J06	J06
J26	J26	J47	J47	J67	J67	J71	J71	J03	J03	J06	J06
J26	J26	J48	J48	J68	J68	J71	J71	J03	J03	J06	J06
J26	J26	J49	J49	J69	J69	J71	J71	J03	J03	J06	J06
J26	J26	J50	J50	J70	J70	J71	J71	J03	J03	J06	J06

17



26



27

<b>NO.</b>	<b>PART NO.</b>	<b>NAME</b>	<b>Spec.</b>	<b>QTY(pcs)</b>
1	JTQS-HM-01	Rear side-L decal	810×622(PVC)	1
2	JTQS-HM-02	Rear side-R decal	810×622(PVC)	1
3	JTQS-HM-03	Front side-L decal	804×464(PVC)	1
4	JTQS-HM-04	Front side-R decal	804×464 (PVC)	1
5	JTQS-HM-05	Playfield 1	930×560 (δ0.3 PVC)	1
6	JTQS-HM-06	Playfield 2	930×582 (δ0.3 PVC)	1
7	JTQS-HM-07	Playfield 3	928×705 (δ0.3 PVC)	1
8	JTQS-HM-08	Header Decal	1006×181 (δ5 PET)	1
9	JTQS-HM-09	Control panel decal	1006×206 (δ5 PET)	1
10	JTQS-HM-10	Back board decal	928×1161 (δ5 PET)	1
11	JTQS-HM-11	Front door decal	367×639(PVC)	1
12	JTQS-HM-12	Playfield gate decal	655×150(PVC)	1
13	JTQS-HM-13	Motor gate sticker decal	100×70(PVC)	1
14	JTQS-HM-14	High voltage decal	60×90(PVC)	3
15	JTQS-HM-15	No touching decal	66×66(PVC)	2
16	JTQS-HM-16	Play manual decal	120×70(PVC)	1
17	JTQS-HM-17	Cable screw instruction	360×302(PVC)	1
18	JTQS-HM-18	Coin mech. decal	18×26(PVC)	2
19	JTQS-HM-19	Fork man notice decal	180×270(PVC)	1
20	JTQS-HM-20	Coin counter decal	30×6(PVC)	1
21	JTQS-HM-21	Ticket counter decal	30×6 (PVC)	1
22	JTQS-HM-22	Ticket reset decal	50×6(PVC)	1
23	JTQS-HM-23	Ticket dispenser decal	60×20(PVC)	1
24	JTQS-HM-24	Button decal	76×50(PVC)	2
25	JTQS-HM-25	Serial ID decal	48×48(PVC)	1
26	JTQS-HM-26	220V high voltage decal	128×68	1
27	JTQS-HM-27	110V high voltage decal	248×68	1