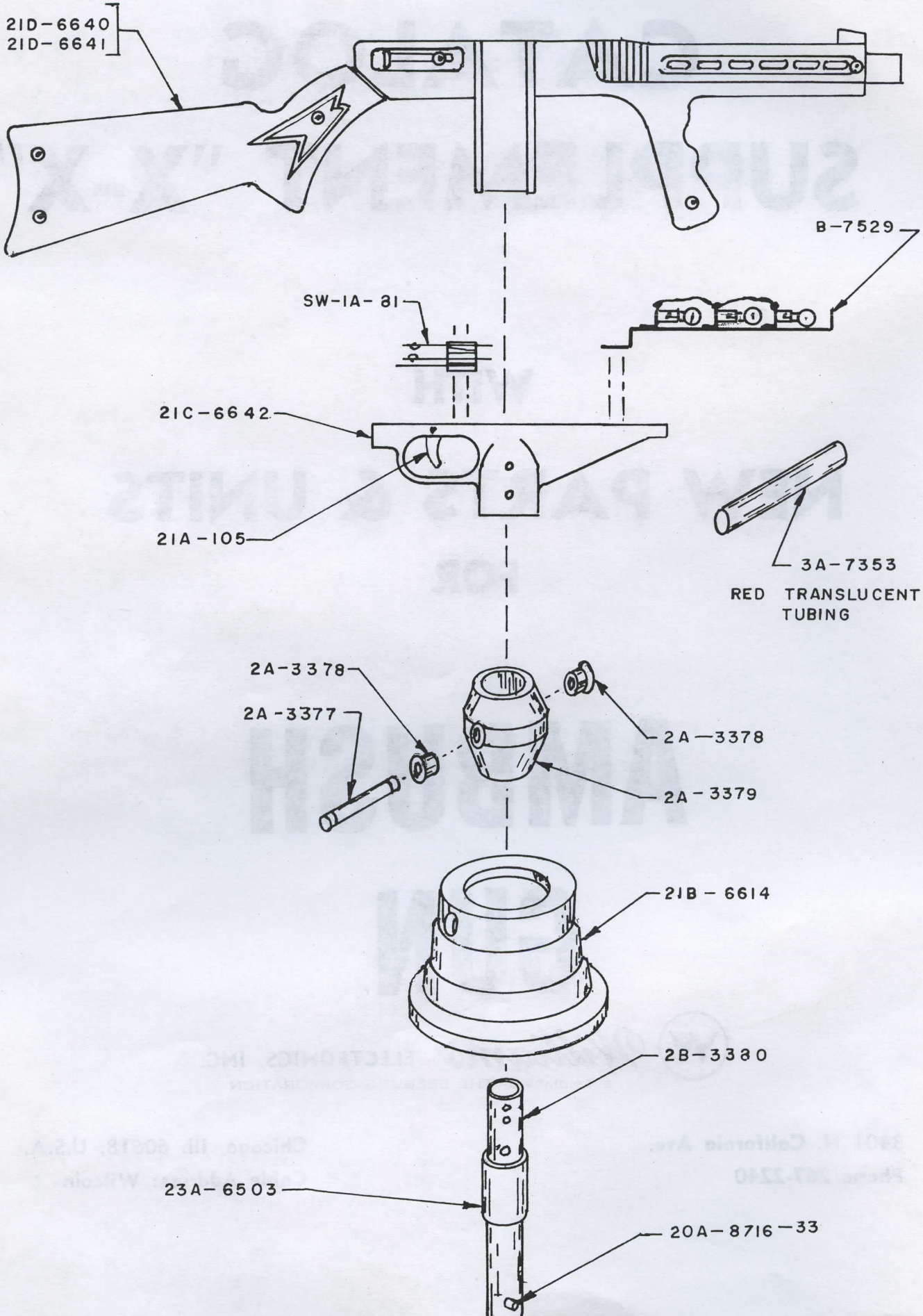
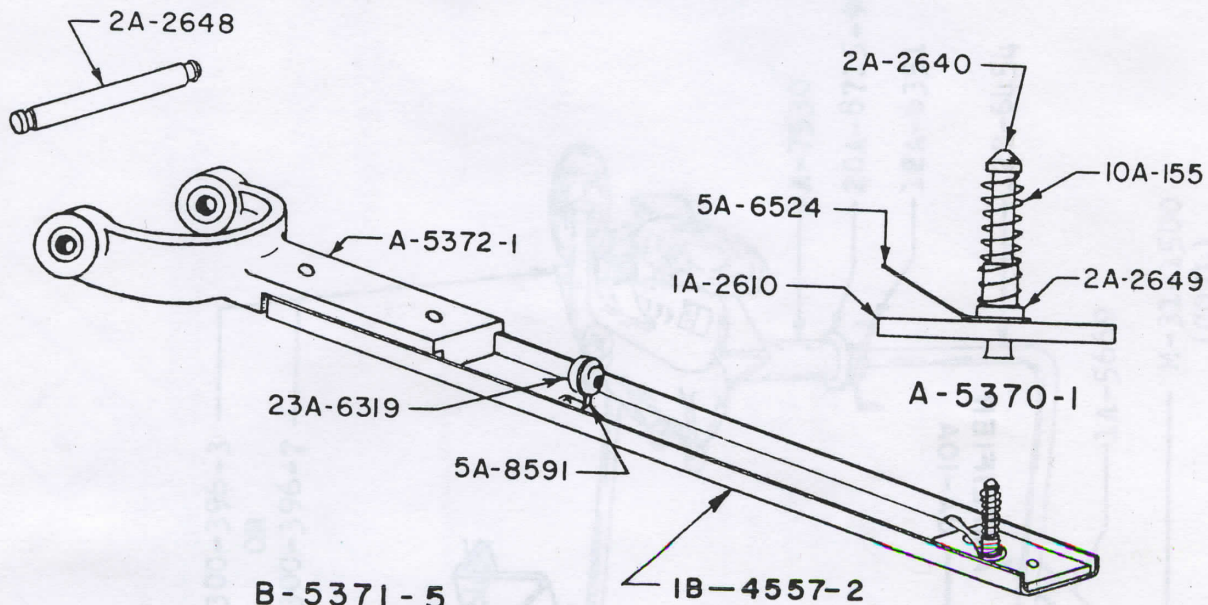


GUN GAME PARTS

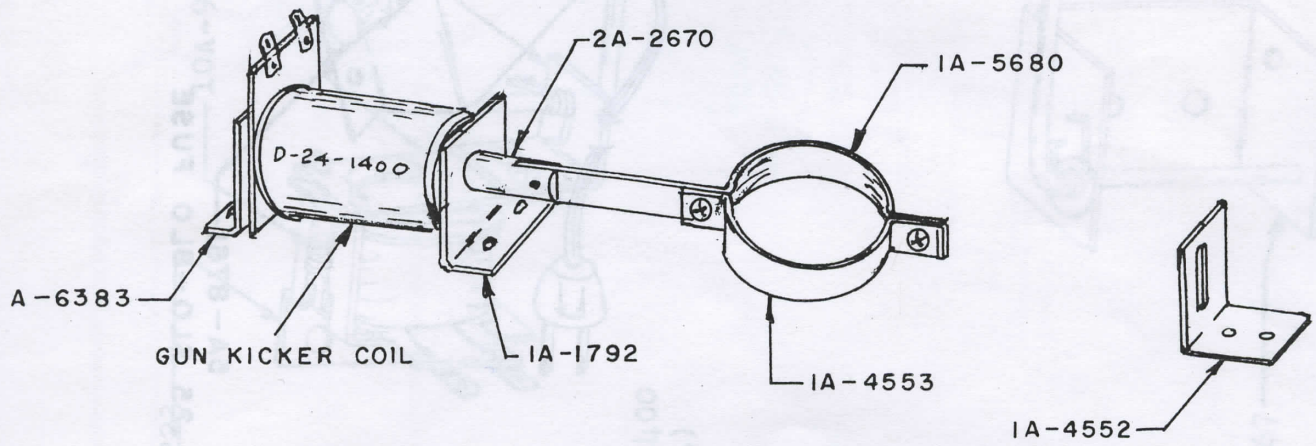
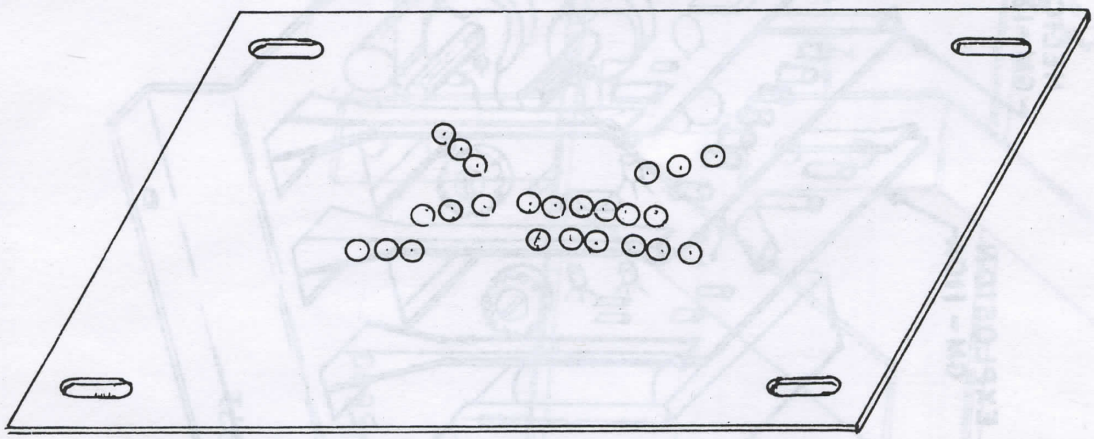


GUN GAME PARTS



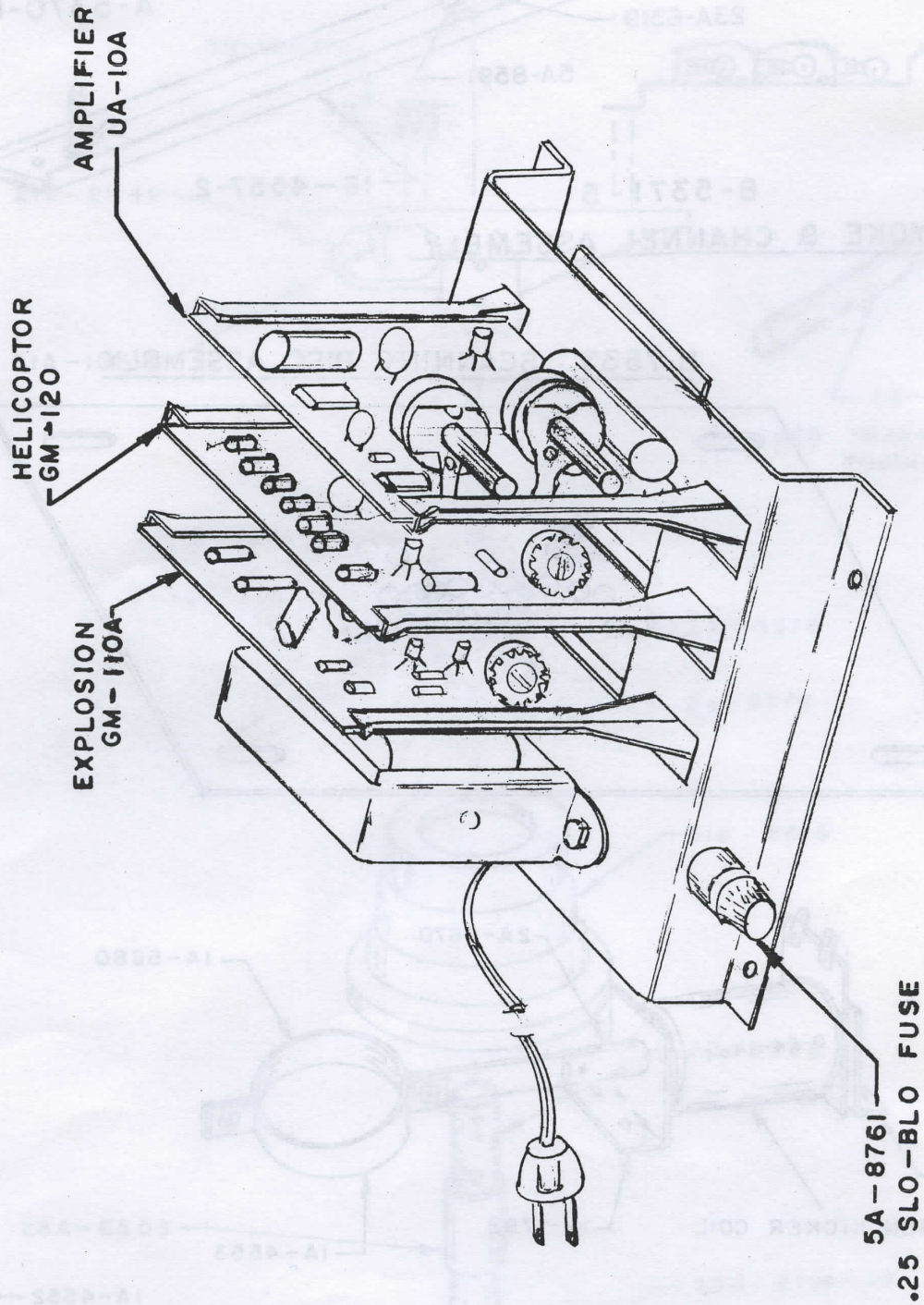
B-5371-5
YOKE & CHANNEL ASSEMBLY

B-7533 SCANNING DISC ASSEMBLY

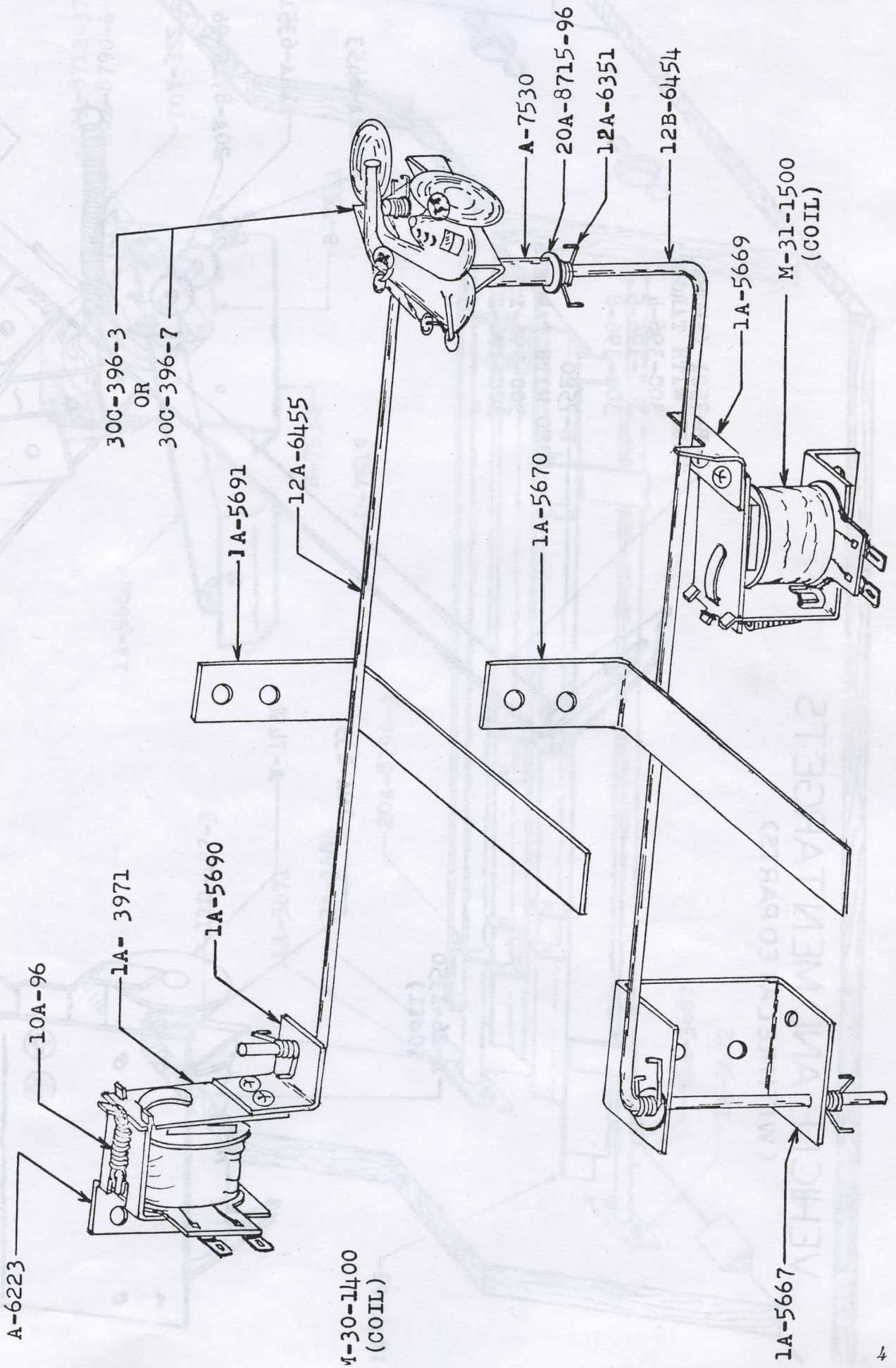


**SOUND SYSTEM
20A-9055**

USED ON AMBUSH GUN



HELICOPTOR TARGET (WITH RELATED PARTS)



VEHICLE AND MEN TARGETS (WITH RELATED PARTS)

B-7521 (SHOWN)
USED WITH TARGETS

- 300-396-4
- 300-396-5
- 300-396-8

B-7520

USED WITH TARGETS

- 300-396-1
- 300-396-2

A-26-1350
(Coil)

10A-135

A-7494

1A-5665

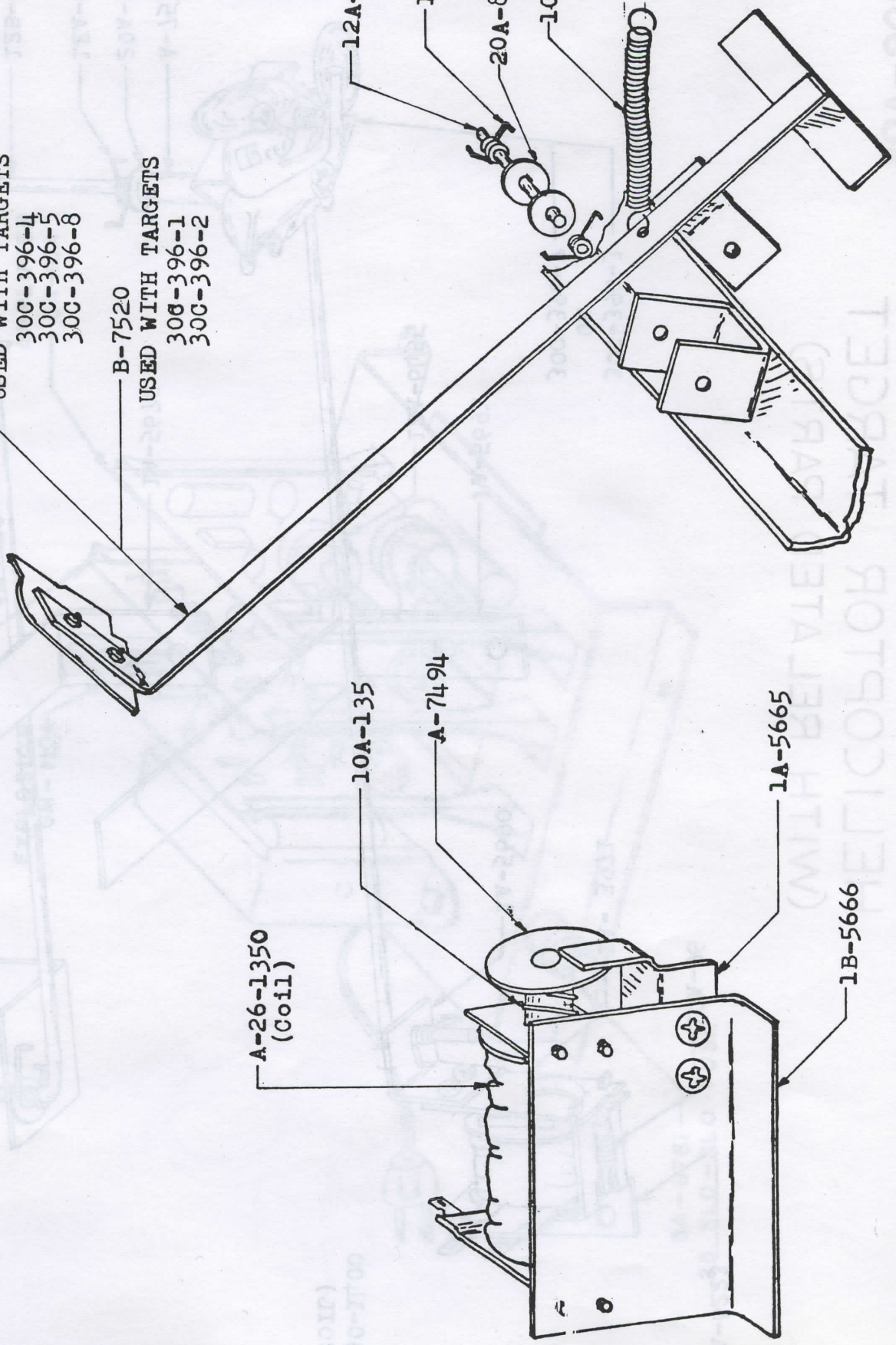
1B-5666

12A-6453

12A-6351

20A-8715-96

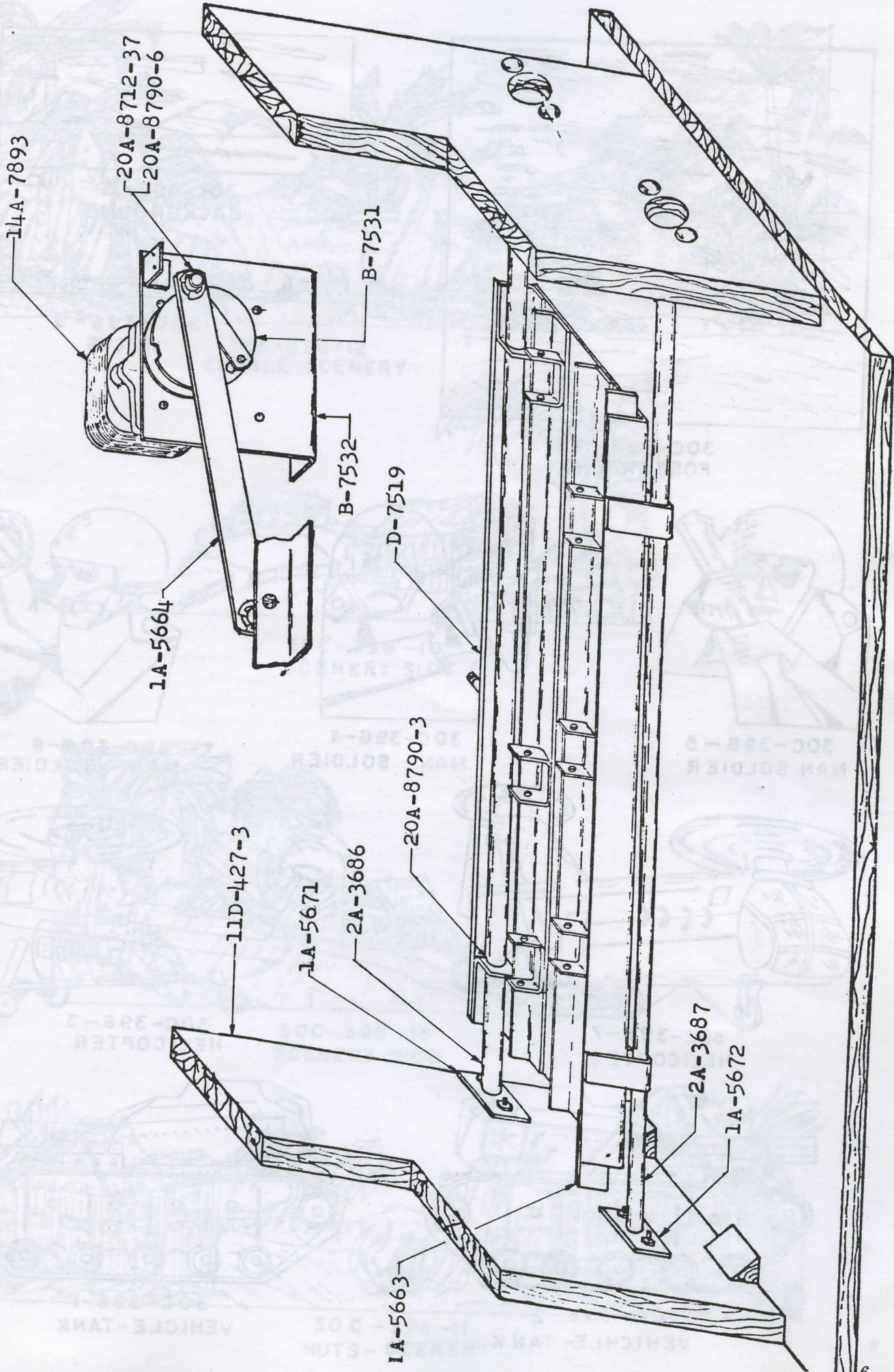
10A-322

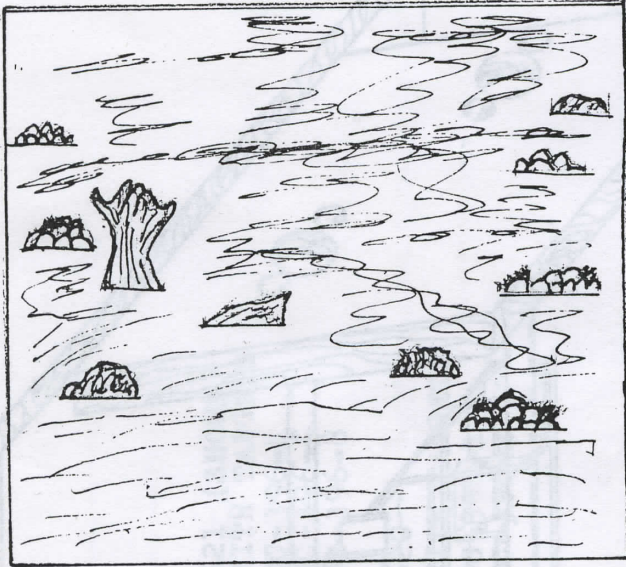


RACK ASSEMBLY

D-7519

(WITH RELATED PARTS)





30C-396-14
FOREGROUND



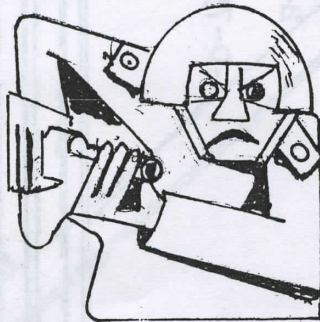
30C-396-15
BACKGROUND



30C-396-9
ROCKS



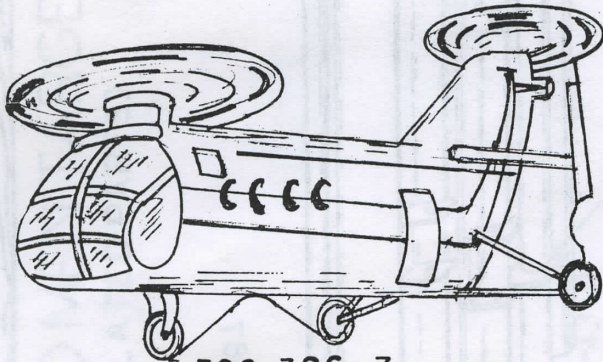
30C-396-5
MAN SOLDIER



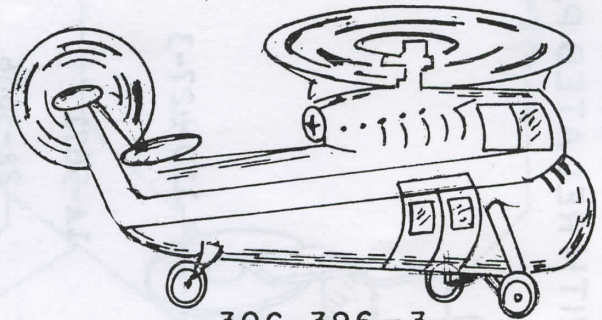
30C-396-4
MAN - SOLDIER



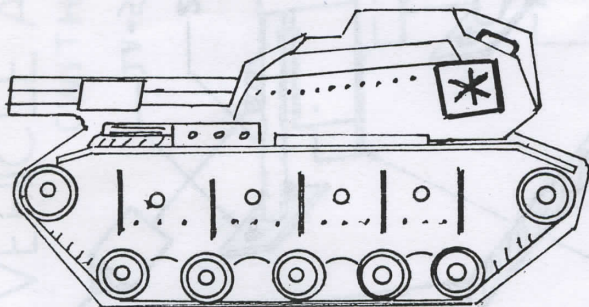
30C-396-8
MAN - SOLDIER



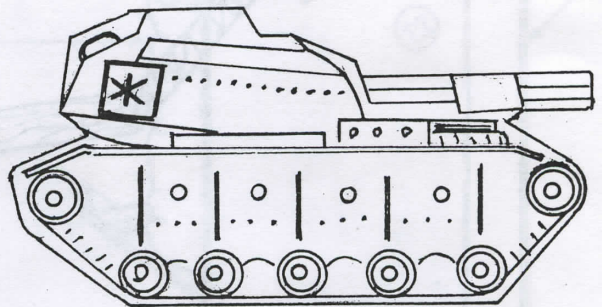
30C-396-7
HELICOPTER R



30C-396-3
HELICOPTER



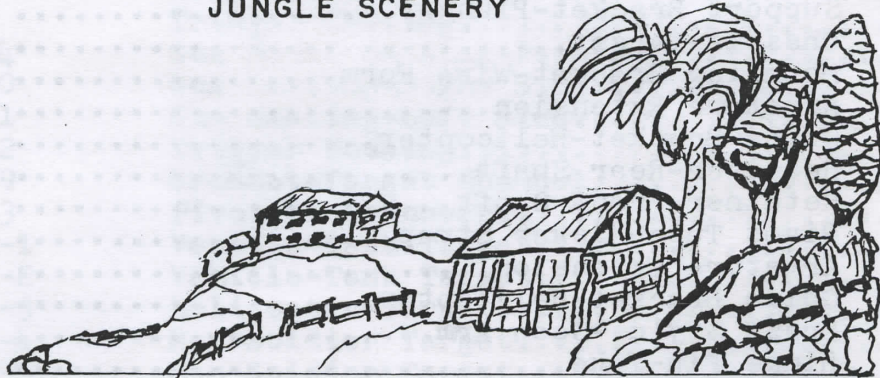
30C-396-2
VEHICLE-TANK



30C-396-1
VEHICLE-TANK



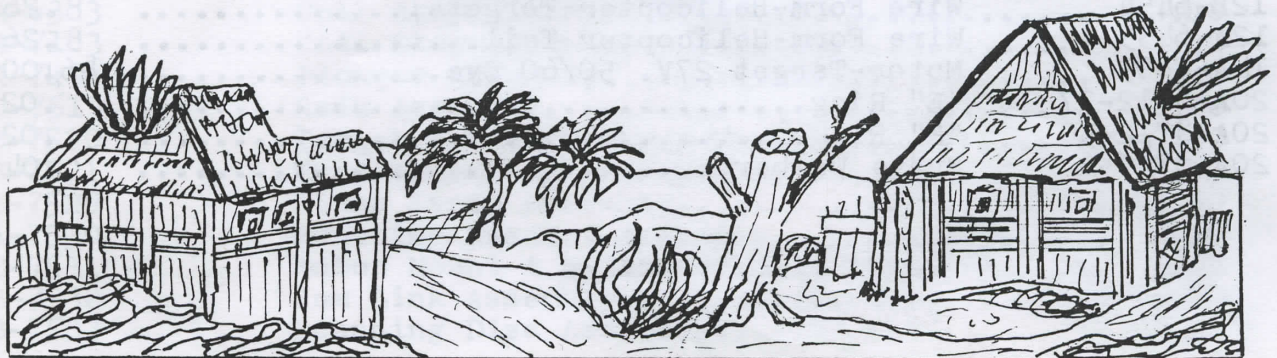
30C-396-12
JUNGLE SCENERY



30C-396-10
SCENERY SIDE



30C-396-13
SCENERY SIDE



30C-396-11
HUTS-SCENERY

PRICE LIST

ARRANGED IN NUMERICAL ORDER

<u>PART NO.</u>	<u>DESCRIPTION</u>	<u>PRICE</u>
1A-1792	Coil Bracket.....	.16
1A-2610	Bakelite Target Channel.....	.16
1A-3971	Armature-Lockout Coil.....	.62
1A-4552	Kicker Guide Bracket.....	.28
1A-4553	Pivot Tube Clamp.....	.36
1B-4557-2	Channel-Yoke.....	1.94
1A-5663	Reset Bracket-Helicopter Target.....	.16
1A-5664	Link.....	.64
1A-5665	Support Bracket-Plunger.....	2.16
1B-5666	Chassis-Target.....	3.50
1A-5667	Mounting Bracket-Wire Form.....	.82
1A-5669	Armature Extension.....	.84
1A-5670	Guide Bracket-Helicopter.....	1.02
1A-5671	Retainer-Rear Shaft.....	.64
1A-5672	Retainer-Front Shaft.....	.64
1A-5680	Pivot Tube-Kicker Strap.....	.36
1A-5690	Armature Extension.....	.84
1A-5691	Guide Bracket-Helicopter.....	.62
2A-2640	Brass Stylus-Scan Arm.....	.26
2A-2648	Hinge Pin-Yoke.....	.26
2A-2649	Bushing-Target Channel.....	.26
2A-2670	Plunger-Kicker Coil.....	.82
2A-3377	Pivot Shaft.....	.46
2A-3378	Thrust Bearing.....	.50
2A-3379	Pivot Joint.....	21.80
2B-3380	Pivot Tube.....	19.58
2A-3686	Shaft-Rear.....	2.70
2A-3687	Shaft-Front.....	1.76
3A-7353	Red Plastic Tubing.....	1.36
5A-6524	Solder Lug #10.....	.04
5A-8591	Solder Lug-Special.....	.02
5A-8761	Slo-Blo Fuse-1/4 AMP.....	1.00
10A-96	Armature Spring.....	.04
10A-135	Spring-Coil Plunger.....	.04
10A-144	Spring-Helicopter Targets.....	.50
10A-155	Stylus Spring.....	.12
10A-322	Spring-Targets.....	.20
11D-427-3	Target Panel-Wood.....	40.00
12A-6351	Spring Retainer.....	.08
12A-6453	Pivot Shaft.....	.14
12B-6454	Wire Form-Helicopter Targets.....	.26
12A-6455	Wire Form-Helicopter Tail.....	.26
14A-7893	Motor-Target 27V. 50/60 Cyc.....	46.00
20A-8712-37	"E" Ring.....	.02
20A-8712-50	"E" Ring.....	.02
20A-8715-6	Brass Washer.....	.04

PRICE LIST

ARRANGED IN NUMERICAL ORDER

<u>PART NO.</u>	<u>DESCRIPTION</u>	<u>PRICE</u>
20A-8715-96	Washer.....	
20A-8716-33	Roll Pin 1/4 x 2-1/4.....	.02
20A-8717-3	#8 Lockwasher-Helicopter Target.....	.28
20A-8790-3	Nylined Bearing.....	.02
20A-8790-6	Nylined Bearing.....	.68
20A-9055	Sound System.....	.22
UA-10A	Amplifier.....	137.00
GM-110A	Explosion.....	33.00
GM-120	Helicopter.....	26.00
21A-105	Trigger Casting.....	37.00
21B-6614	Gun Mount Casting-Painted.....	2.92
21D-6640	Gun Casting-Right Side.....	35.58
21D-6641	Gun Casting-Left Side.....	56.00
21D-6642	Trigger Housing.....	56.00
23A-6319	Grommet-Target Channel.....	21.00
23A-6503	Pivot Tube-Rubber.....	.08
30C-396-1	Vehicle-Tank Target.....	.64
30C-396-2	Vehicle-Tank Target.....	1.20
30C-396-3	Helicopter-Target.....	1.20
30C-396-4	Men-Soldier Target.....	1.20
30C-396-5	Men-Soldier Target.....	1.20
30C-396-7	Helicopter-Target.....	1.20
30C-396-8	Men-Soldier Target.....	1.20
30C-396-9	Rocks.....	1.20
30C-396-10	Scenery Sides.....	7.40
30C-396-11	Scenery-Huts.....	5.60
30C-396-12	Scenery-Jungle.....	7.40
30C-396-13	Scenery-Side.....	5.60
30C-396-14	Foreground.....	5.60
30C-396-15	Background.....	7.40
	1 Set Fascals #40 & 80, #200 & 400 60 Units Extended Play.....	5.60
A-26-1350	Coil Assembly.....	.44set
D-24-1400	Coil Assembly.....	2.10
M-30-1400	Coil Assembly.....	3.80
M-31-1500	Coil Assembly.....	1.90
SW-1A-81	Coil Assembly.....	1.90
A-5370-1	Switch-Trigger.....	1.04
B-5371-5	Stylus-Bushing and Lug.....	.60
A-5372-1	Yoke and Channel.....	14.40
A-6223	Yoke.....	8.36
A-6383	Frame Assembly-Lockout Coil.....	.93
A-7183	Coil Stop Assembly.....;	.40
A-7494	Coil Stop Assembly.....	.40
D-7519	Plunger Assembly.....	.40
B-7520	Rack Assembly.....	18.00
B-7521	Target Mounting Strap-Vehicle.....	2.90
B-7529	Target Mounting Strap-Men.....	2.80
A-7530	Light Strip Assembly.....	3.80
B-7531	Mounting Bracket Assembly.....	2.46
B-7532	Motor Mount & Switch Bracket Assembly.....	3.00
B-7533	Cam Link Assembly.....	4.70
	Scanning Disc Assembly.....	7.00